

US00D641468S

(12) **United States Design Patent**  
**Ruiz, Sr. et al.**

(10) **Patent No.:** **US D641,468 S**

(45) **Date of Patent:** **\*\* Jul. 12, 2011**

(54) **DISPENSING APPLICATOR**

(75) Inventors: **Rafael Ruiz, Sr.**, Hudson, NC (US);  
**Sheng Zhang**, Granite Falls, NC (US);  
**Martin Krauss**, Fort Myers, FL (US)

(73) Assignee: **Adhezion Biomedical, LLC**,  
Wyomissing, PA (US)

(\*\*) Term: **14 Years**

(21) Appl. No.: **29/375,271**

(22) Filed: **Sep. 20, 2010**

(51) **LOC (9) Cl.** ..... **24-02**

(52) **U.S. Cl.** ..... **D24/133; D9/723**

(58) **Field of Classification Search** ..... D24/133,  
D24/112, 119, 207; D19/66; D9/723-729,  
D9/695-697, 730, 732, 733; 239/591, 593;  
602/901; 604/1; 606/41

See application file for complete search history.

(56) **References Cited**

U.S. PATENT DOCUMENTS

D274,697	S	*	7/1984	Venne	.....	D9/725
D300,118	S	*	3/1989	Venne et al.	.....	D19/48
4,844,250	A	*	7/1989	Holoubek et al.	.....	222/107
D307,191	S	*	4/1990	Blutenthal	.....	D28/7
D364,923	S	*	12/1995	Chou	.....	D24/144
D376,204	S	*	12/1996	Huculak et al.	.....	D24/146
D376,422	S	*	12/1996	Bailey	.....	D24/111
D390,117	S	*	2/1998	Kan et al.	.....	D9/529
D414,688	S	*	10/1999	Loeb et al.	.....	D9/697
D418,246	S	*	12/1999	Turri	.....	D28/7
D429,847	S	*	8/2000	Lang	.....	D28/7
D430,298	S	*	8/2000	Holms	.....	D24/152
D441,447	S	*	5/2001	Hjertman et al.	.....	D24/150
D443,930	S	*	6/2001	Nestenborg	.....	D24/141
6,981,664	B1	*	1/2006	Fugere	.....	239/591

D540,470	S	*	4/2007	Boone et al.	.....	D24/133
D543,469	S	*	5/2007	Py et al.	.....	D9/724
D550,283	S	*	9/2007	Koreska et al.	.....	D19/66
D559,385	S	*	1/2008	Boone et al.	.....	D24/133
D561,046	S	*	2/2008	Kerman	.....	D9/697
D570,708	S	*	6/2008	Kerman	.....	D9/697
D599,014	S	*	8/2009	Boone et al.	.....	D24/133
7,785,026	B2	*	8/2010	Eng et al.	.....	401/37
2008/0033280	A1	*	2/2008	Lubock et al.	.....	600/414
2010/0274258	A1	*	10/2010	Silvestrini et al.	.....	606/108
2011/0028883	A1	*	2/2011	Juan et al.	.....	604/8

\* cited by examiner

*Primary Examiner* — Bridget Eland

(74) *Attorney, Agent, or Firm* — Stradley Ronon Stevens & Young, LLP

(57) **CLAIM**

The ornamental design for dispensing applicator, substantially as shown and described.

**DESCRIPTION**

FIG. 1 is a perspective view of the ornamental design for the dispensing applicator;

FIG. 2 is a first side view of the ornamental design for the dispensing applicator;

FIG. 3 is a second side view of the ornamental design for the dispensing applicator;

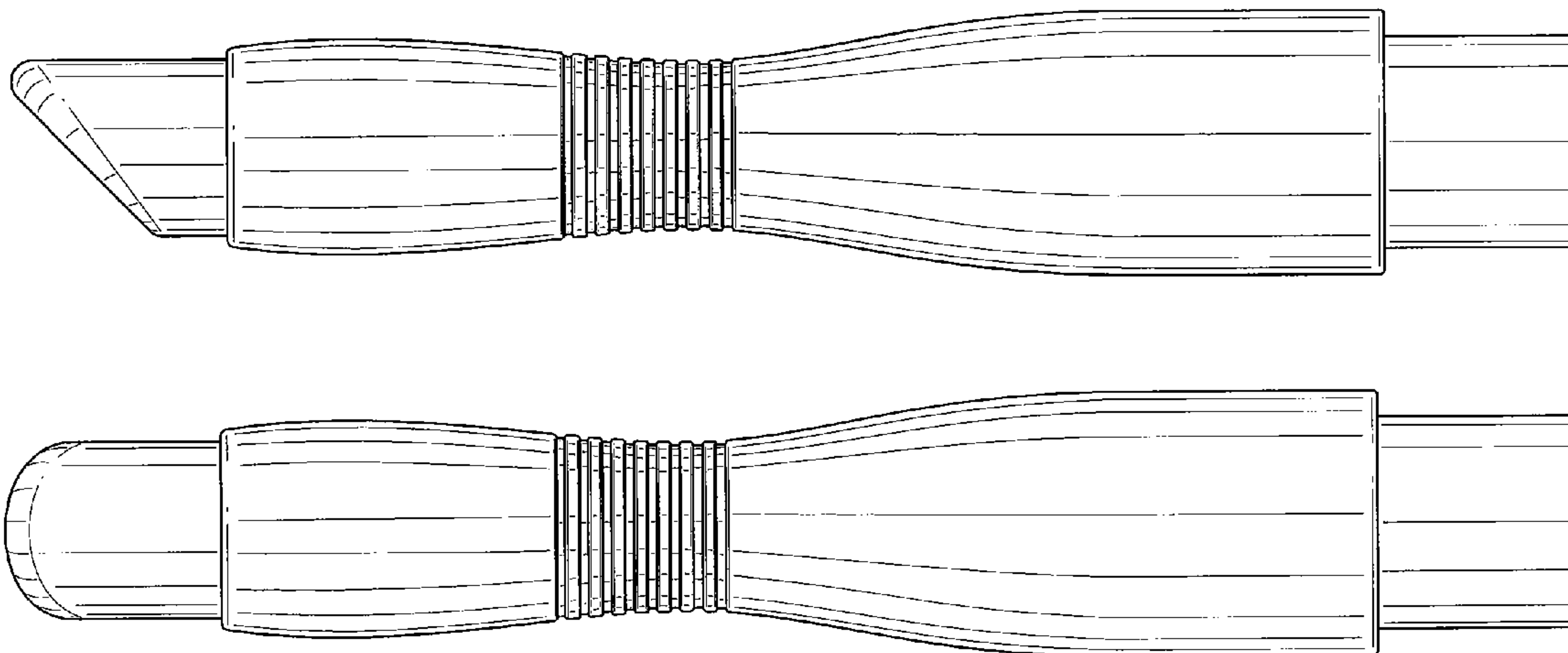
FIG. 4 is a top view of the ornamental design for the dispensing applicator;

FIG. 5 is a bottom view of the ornamental design for the dispensing applicator;

FIG. 6 is a front view of the ornamental design for the dispensing applicator; and,

FIG. 7 is a bottom view of the ornamental design for the dispensing applicator.

**1 Claim, 4 Drawing Sheets**



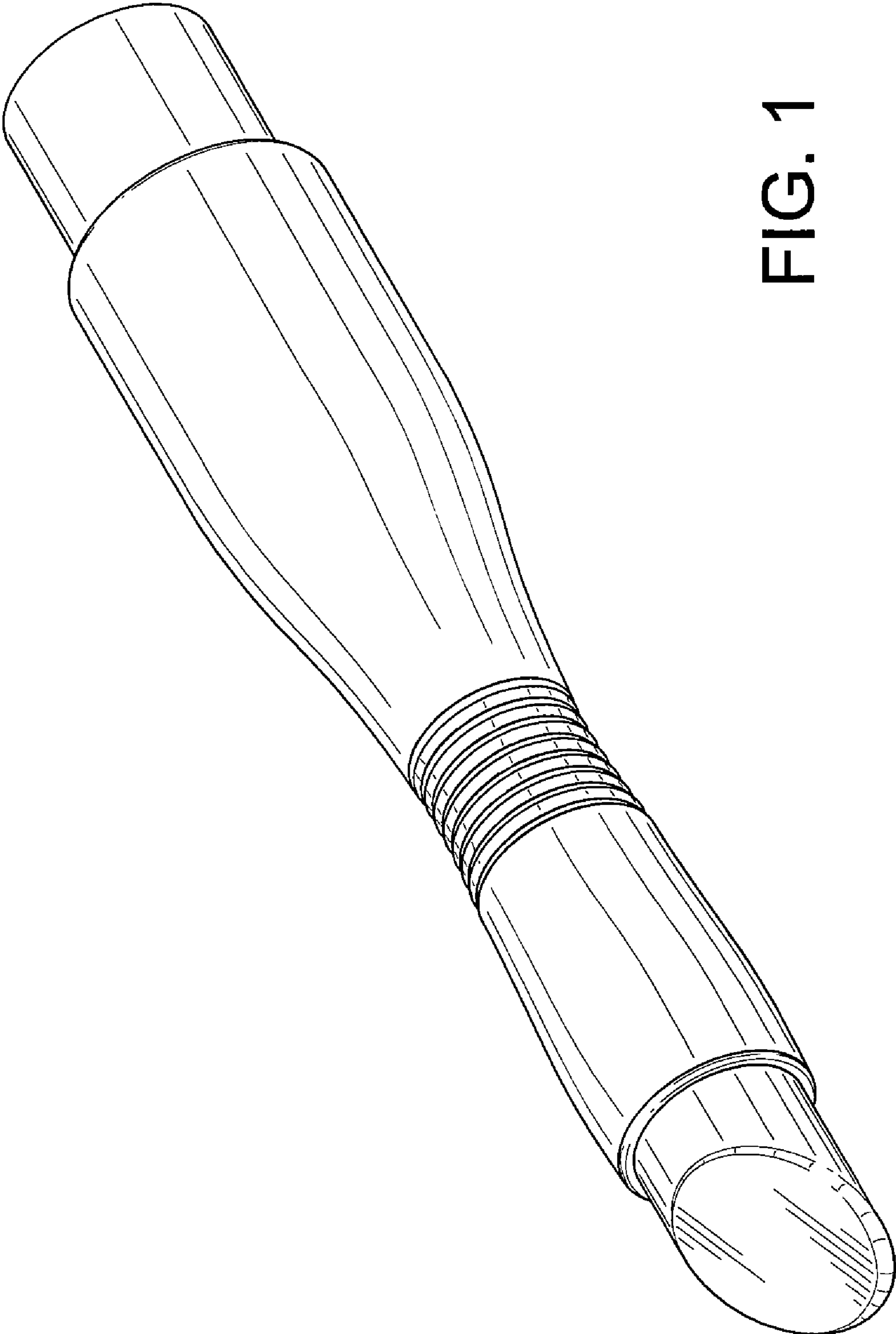


FIG. 1

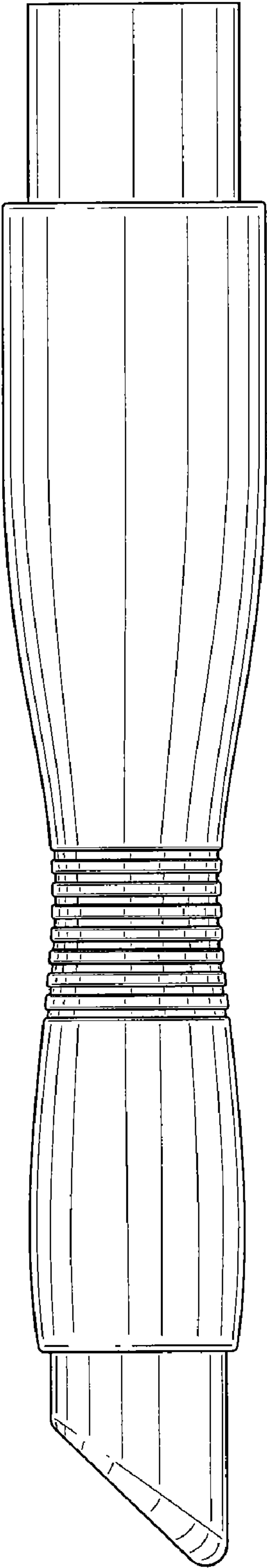


FIG. 2

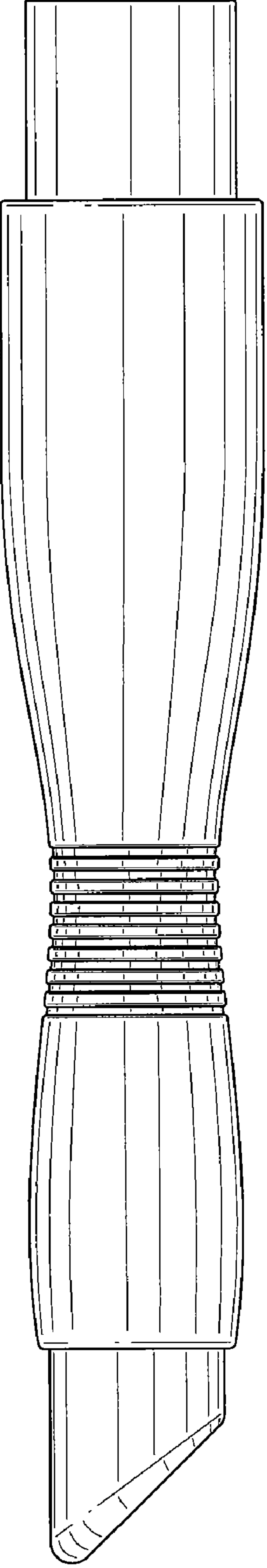


FIG. 3

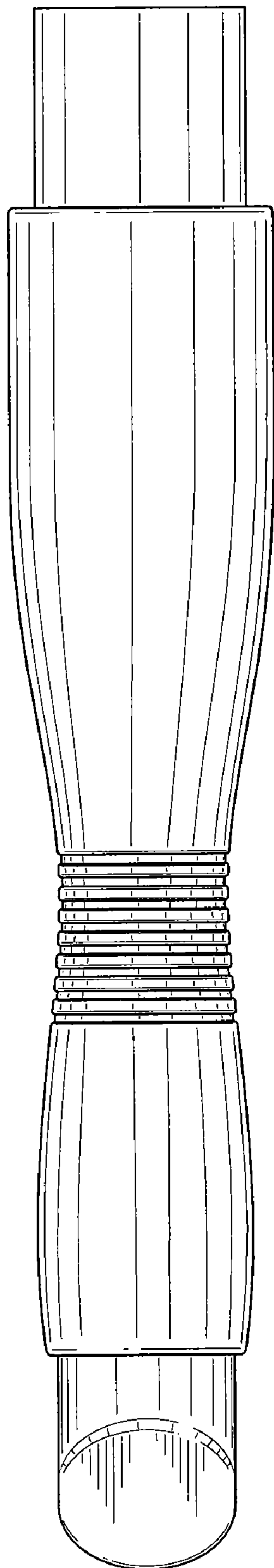


FIG. 4

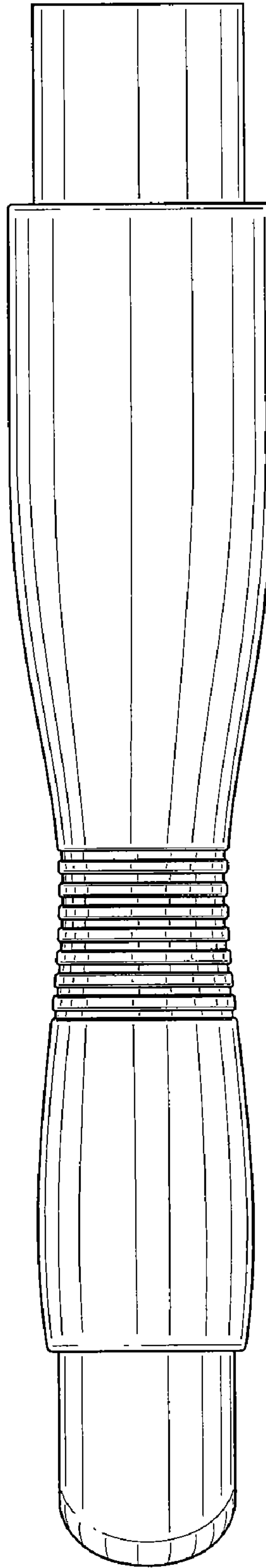


FIG. 5

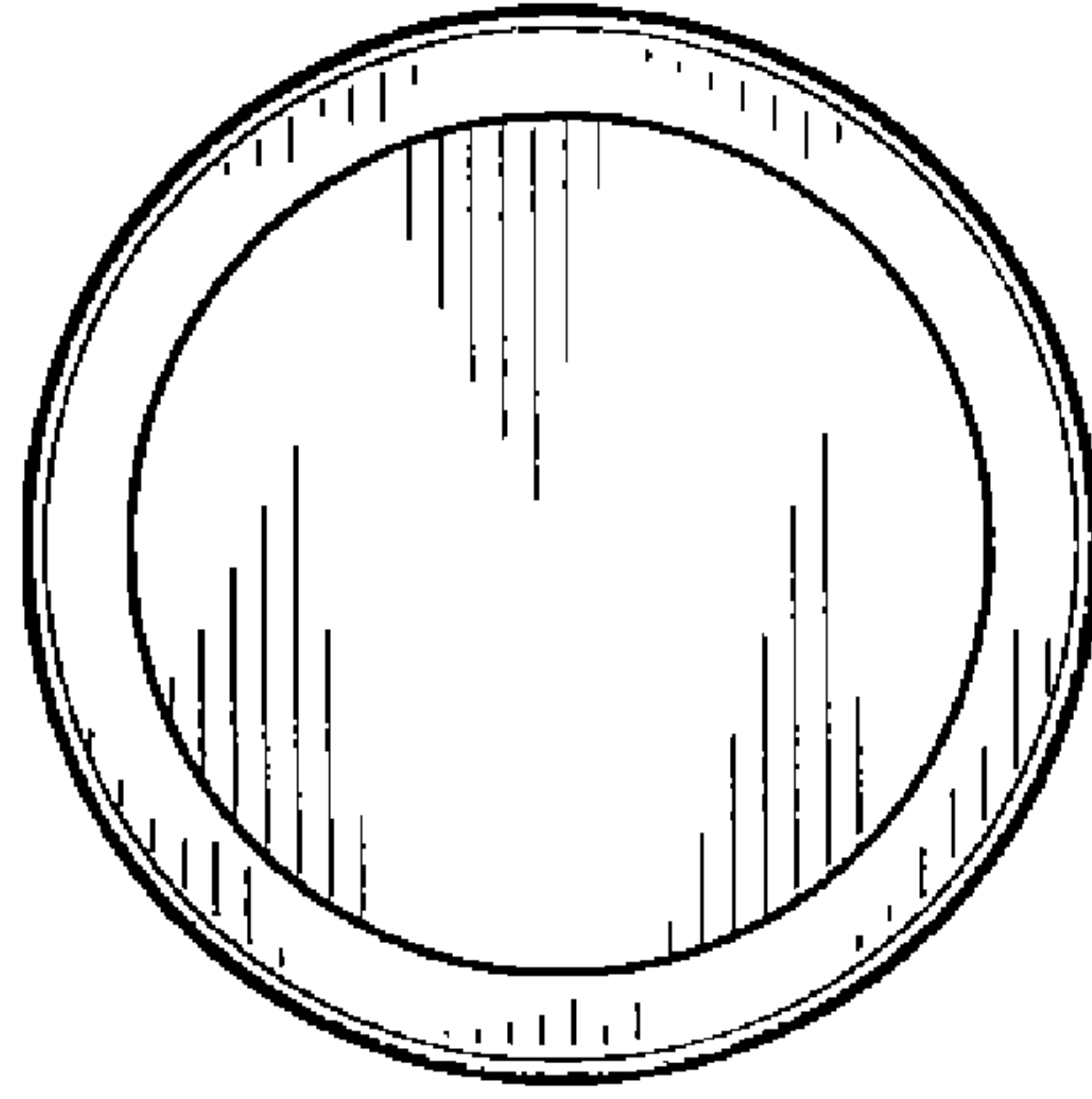


FIG. 7

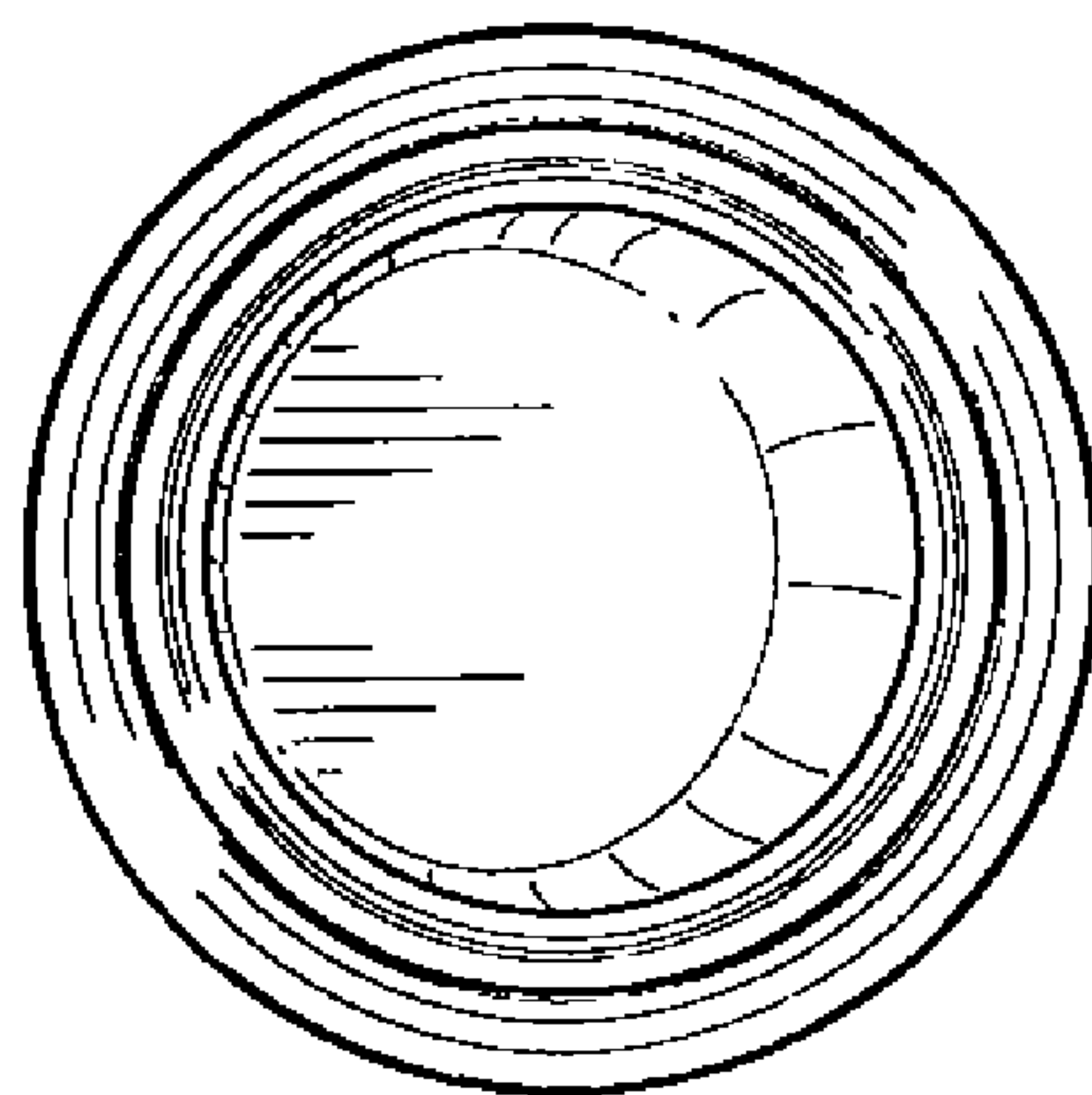


FIG. 6