

US00D641467S

(12) **United States Design Patent**
Amann

(10) **Patent No.:** **US D641,467 S**

(45) **Date of Patent:** **** *Jul. 12, 2011**

(54) **HOSE CUFF**

(75) Inventor: **Michael A. Amann**, St. Louis, MO (US)

(73) Assignee: **Home Health Medical Equipment Incorporated**, St. Louis, MO (US)

(*) Notice: This patent is subject to a terminal disclaimer.

(**) Term: **14 Years**

(21) Appl. No.: **29/343,489**

(22) Filed: **Sep. 14, 2009**

(51) **LOC (9) Cl.** **24-02**

(52) **U.S. Cl.** **D24/129**

(58) **Field of Classification Search** D24/107,
D24/110, 110.4, 110.5, 110.6, 127-129, 164;
D23/259-262; 128/200.24, 201.22, 202.27,
128/203.27, 204.18, 205.25, 206.15, 206.21;
138/121, 122; 156/143; 285/260; 604/27

See application file for complete search history.

(56) **References Cited**

U.S. PATENT DOCUMENTS

3,410,493	A	11/1968	Dion-Bird	
3,520,561	A	7/1970	Rininger	
3,794,080	A *	2/1974	Huston et al.	138/121
4,278,081	A *	7/1981	Jones	128/207.15
4,852,564	A *	8/1989	Sheridan et al.	128/202.27
5,195,563	A *	3/1993	Brooks	138/103
5,356,183	A *	10/1994	Cole	285/305
5,405,319	A *	4/1995	Abell et al.	604/27
D378,233	S *	2/1997	Warner	D24/130
5,657,752	A	8/1997	Landis et al.	
5,864,938	A *	2/1999	Gansel et al.	29/506
6,394,142	B1 *	5/2002	Woelfel et al.	138/115
6,450,205	B1 *	9/2002	Check	138/116
6,907,882	B2	6/2005	Ging et al.	
7,178,521	B2 *	2/2007	Burrow et al.	128/202.27
7,363,926	B2 *	4/2008	Pflueger et al.	128/848
D598,099	S *	8/2009	Halbig	D24/138

7,677,271	B2 *	3/2010	Boettner et al.	138/119
7,753,412	B2 *	7/2010	Royston et al.	285/45
D628,288	S *	11/2010	Row et al.	D24/129
7,845,525	B2 *	12/2010	Lantz et al.	222/507
2001/0050082	A1 *	12/2001	Christopher	128/207.15
2002/0036019	A1 *	3/2002	Woelfel et al.	138/115
2004/0134491	A1 *	7/2004	Pflueger et al.	128/200.24
2005/0150505	A1 *	7/2005	Burrow et al.	128/911
2006/0157055	A1 *	7/2006	Pflueger et al.	128/200.24
2007/0215147	A1 *	9/2007	Ho	128/200.24
2007/0289596	A1 *	12/2007	Campbell et al.	128/207.15
2008/0053454	A1 *	3/2008	Pasillas et al.	128/207.15
2008/0078387	A1 *	4/2008	Vandine	128/204.21
2008/0105257	A1 *	5/2008	Klasek et al.	128/203.27
2008/0154280	A1 *	6/2008	Schumacher et al.	606/104

(Continued)

OTHER PUBLICATIONS

<http://agindustries.com/hospital.html>, Webpage showing Filers and Accessories, Copyright 2008 AGI.

(Continued)

Primary Examiner — T. Chase Nelson

Assistant Examiner — Eric L Goodman

(74) *Attorney, Agent, or Firm* — Husch Blackwell LLP

(57) **CLAIM**

The ornamental design for a hose cuff, as shown and described.

DESCRIPTION

FIG. 1 is a perspective view of a hose cuff showing my new design;

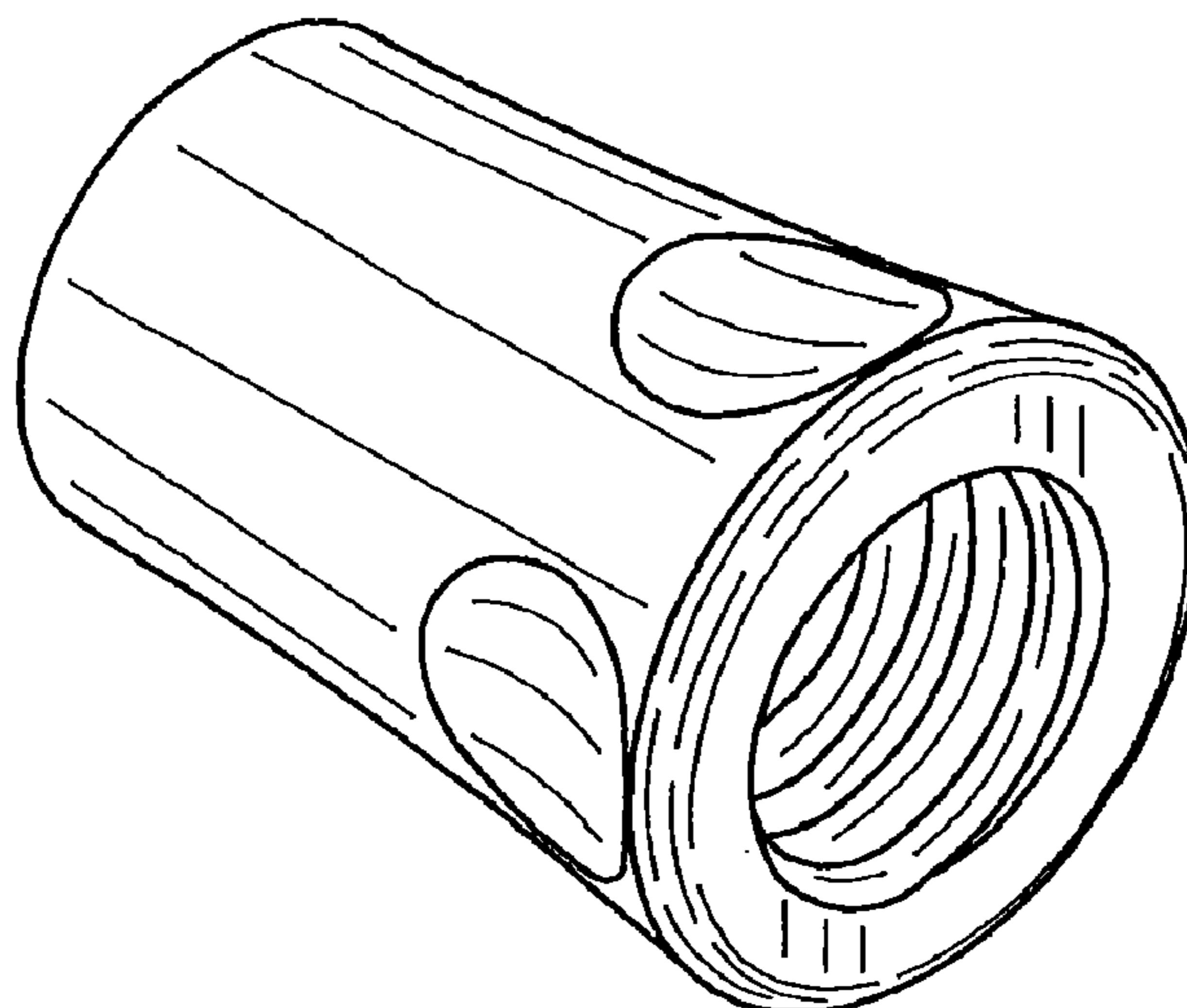
FIG. 2 is a front elevational view thereof, the rear elevational view being a mirror image thereof;

FIG. 3 is a top plan view thereof, the bottom plan view being a mirror image thereof;

FIG. 4 is a left side elevational view thereof; and,

FIG. 5 is a right side elevational view thereof.

1 Claim, 2 Drawing Sheets



US D641,467 S

Page 2

U.S. PATENT DOCUMENTS

2008/0264413 A1* 10/2008 Doherty et al. 128/202.27
2009/0025724 A1* 1/2009 Herron, Jr. 128/204.18
2009/0241961 A1* 10/2009 McAuley et al. 128/205.25
2010/0000537 A1* 1/2010 McAuley et al. 128/205.25
2010/0116272 A1* 5/2010 Row et al. 128/204.17
2010/0170589 A1* 7/2010 Boettner et al. 138/119

OTHER PUBLICATIONS

<http://agindustries.com/design.html>, Webpage showing Respiratory Connectors, Copyright 2008 AGI.

AG Industries, Inc., Take A Look Into the Future of Sleep Apnea Products, Product Catalog, 2004, p. 3, 11, 12, 15, 17, 19, 21, 22, 32.

* cited by examiner

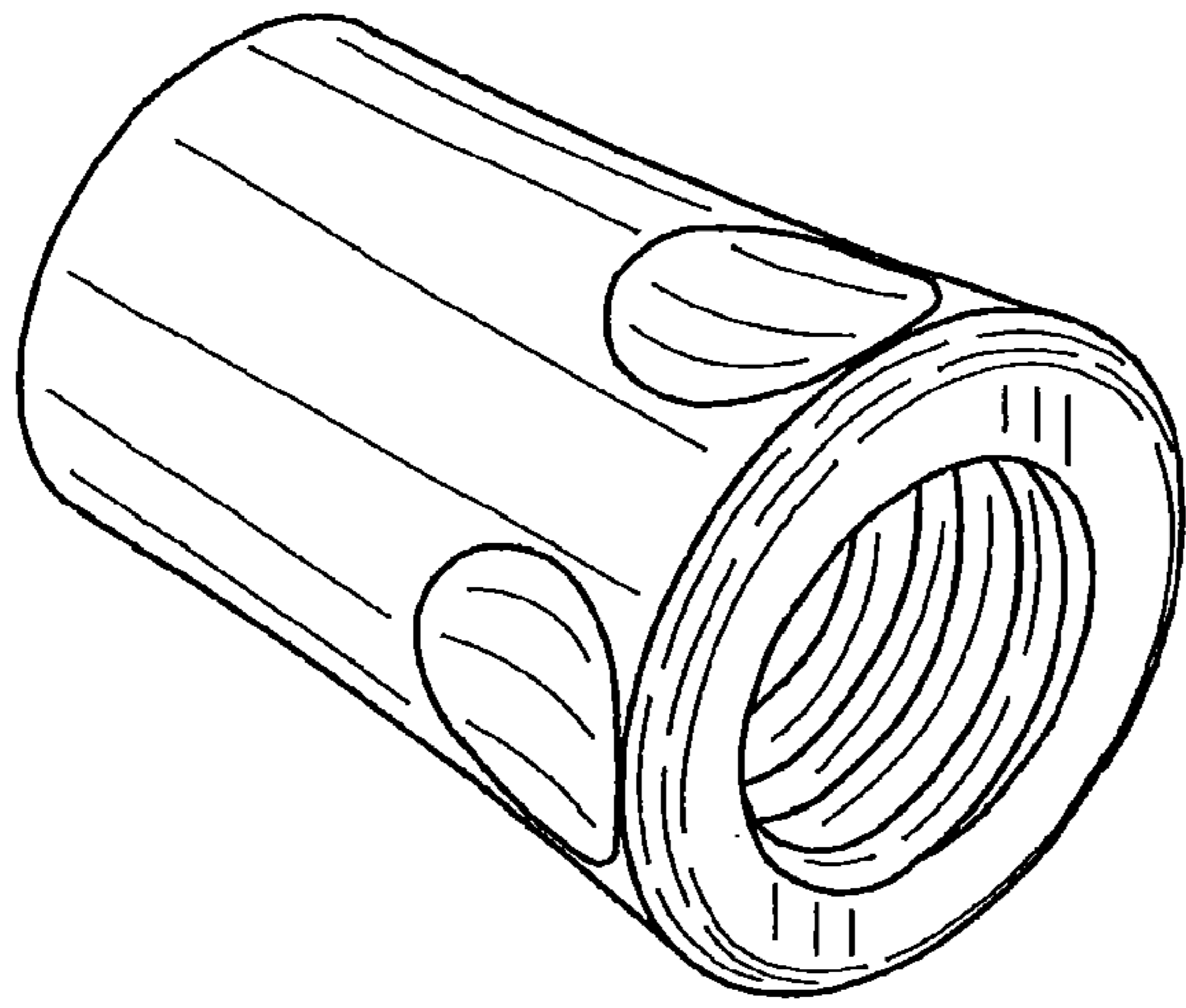


FIG. 1

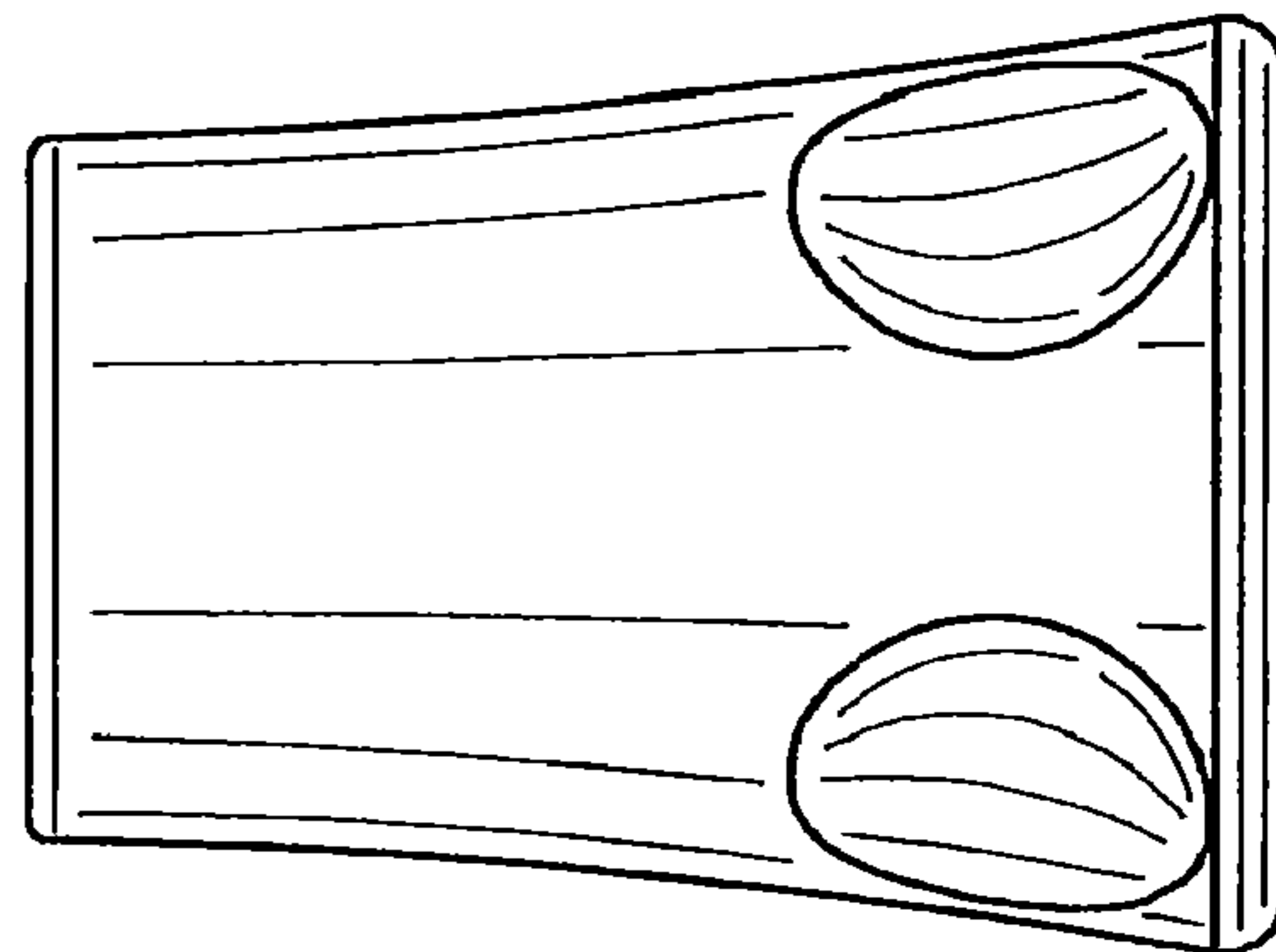


FIG. 2

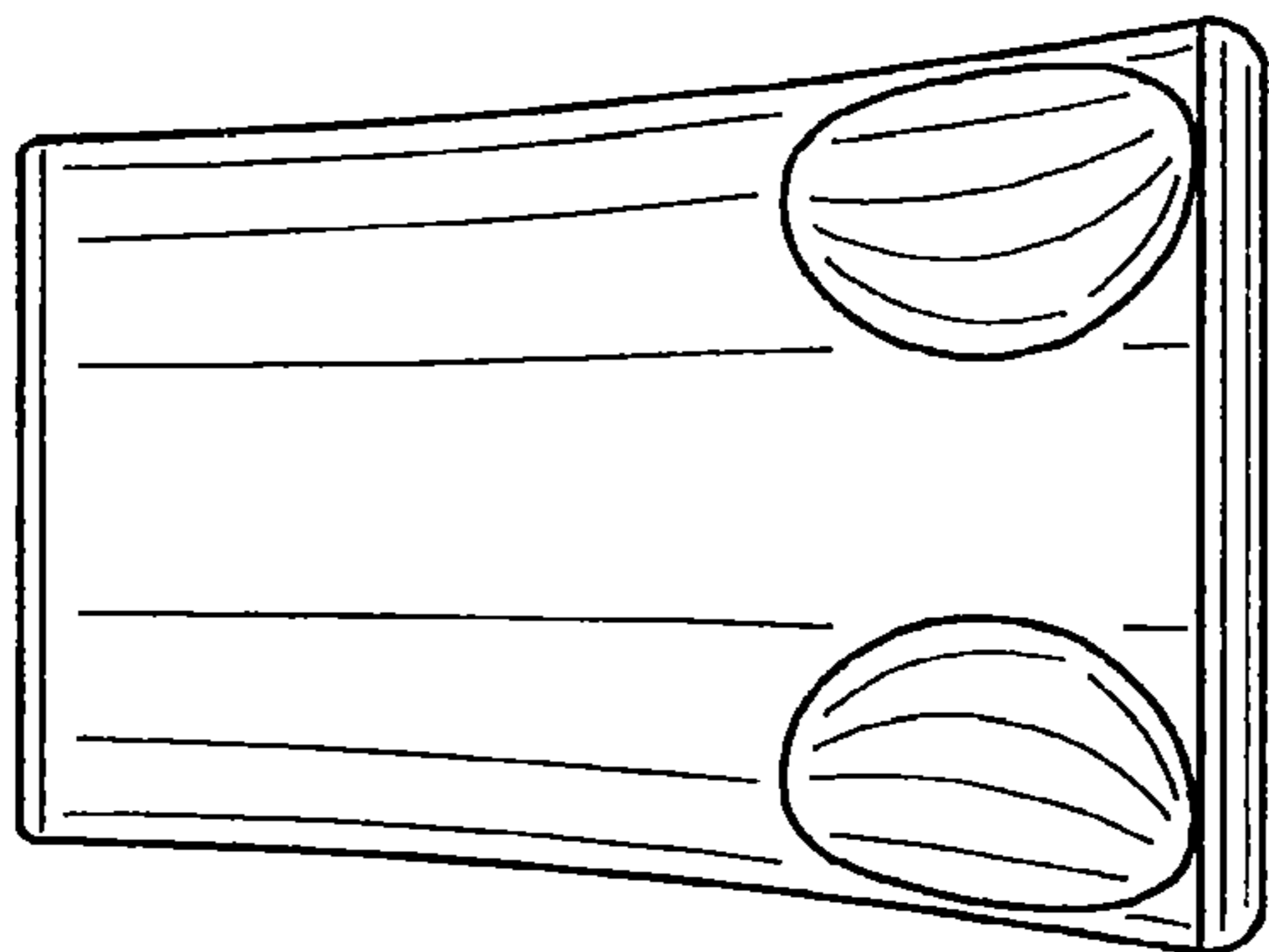


FIG. 3

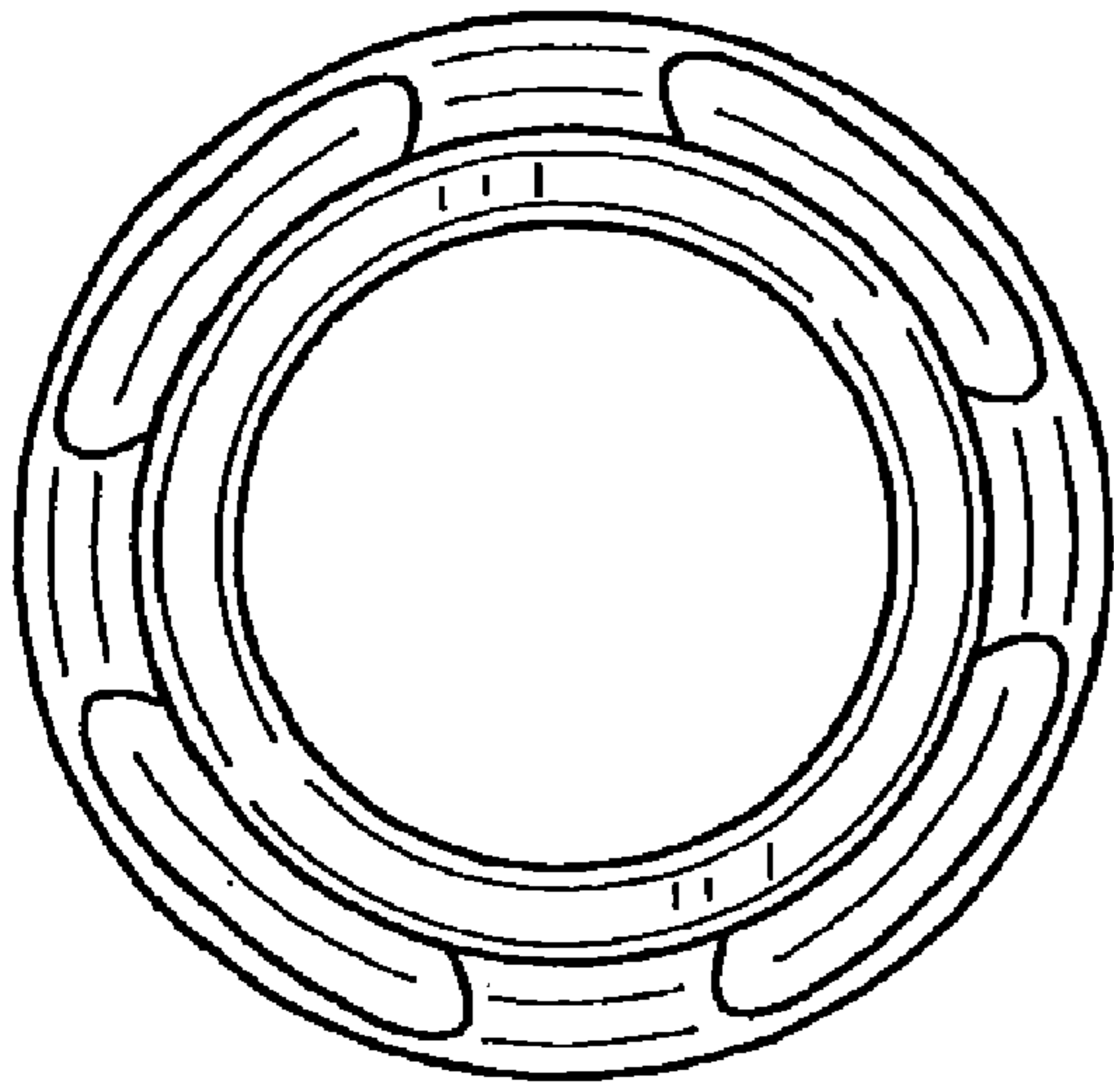


FIG. 4

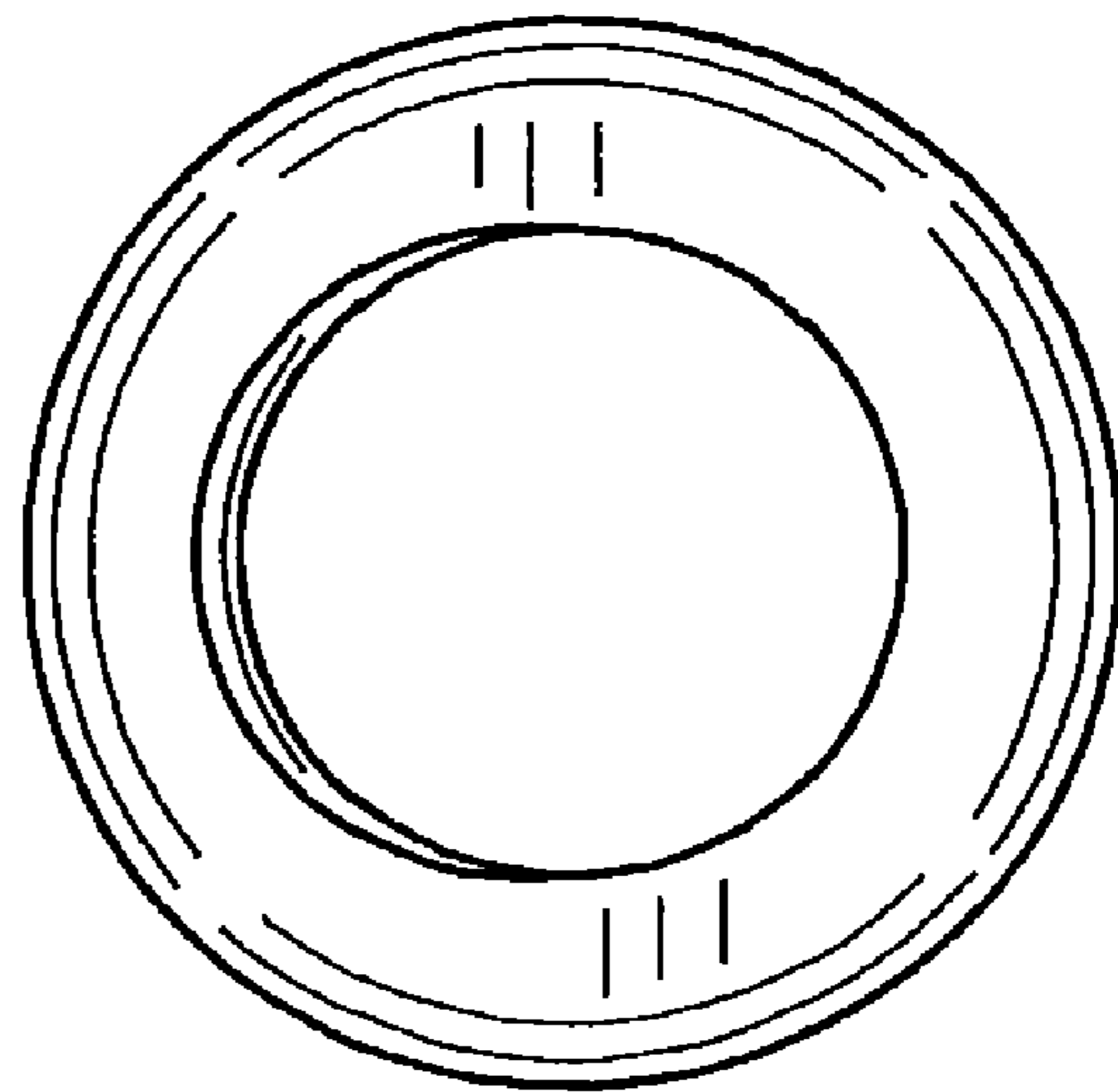


FIG. 5