



US00D641465S

(12) **United States Design Patent**
Falco

(10) **Patent No.:** **US D641,465 S**
(45) **Date of Patent:** **** Jul. 12, 2011**

(54) **EARPLUG STEM**

(75) Inventor: **Robert Nicolo Falco**, Indianapolis, IN (US)

(73) Assignee: **3M Innovative Properties Company**, St. Paul, MN (US)

(**) Term: **14 Years**

(21) Appl. No.: **29/353,989**

(22) Filed: **Jan. 18, 2010**

Related U.S. Application Data

(63) Continuation of application No. 29/337,618, filed on May 27, 2009.

(51) **LOC (9) Cl.** **24-02**

(52) **U.S. Cl.** **D24/106**

(58) **Field of Classification Search** D24/106;
181/130, 135, 128-129; 128/864-865
See application file for complete search history.

(56) **References Cited**

U.S. PATENT DOCUMENTS

D269,252 S *	6/1983	Balistreri	D9/435
D274,754 S *	7/1984	Chernack	D24/129
D327,647 S *	7/1992	Lemme	D9/434
D354,656 S *	1/1995	Strawbridge	D7/398
D369,655 S	5/1996	Esler et al.	

D375,551 S	11/1996	Esler et al.	
D413,379 S *	8/1999	Leight	D24/106
D466,995 S	12/2002	Knauer et al.	
D478,658 S *	8/2003	Falco	D24/106
D521,637 S	5/2006	Yang	
D577,812 S *	9/2008	Zwart	D24/106
D595,268 S	6/2009	Kolton	

* cited by examiner

Primary Examiner — Elizabeth Albert
Assistant Examiner — Kelley A Donnelly
(74) *Attorney, Agent, or Firm* — Karl G. Hanson

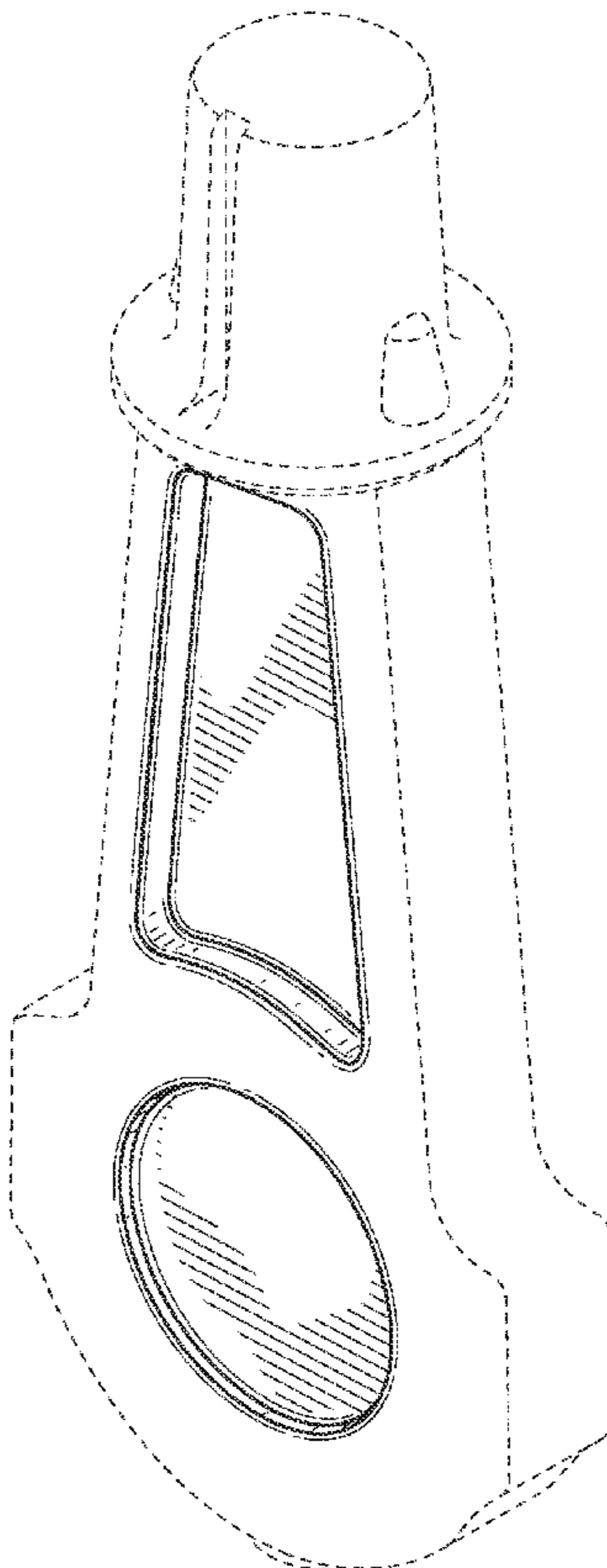
(57) **CLAIM**

I claim, the ornamental design for an earplug stem, as shown and described.

DESCRIPTION

FIG. 1 is a perspective view of an earplug stem, showing my new design,
FIG. 2 is a first side elevation view thereof, the opposite side being a mirror image thereof;
FIG. 3 is a second side elevation view thereof, the opposite side being a mirror image thereof;
FIG. 4 is a top plan view thereof; and,
FIG. 5 is a bottom plan view thereof.
The broken lines illustrate environment only and form no part of the claimed design.

1 Claim, 4 Drawing Sheets



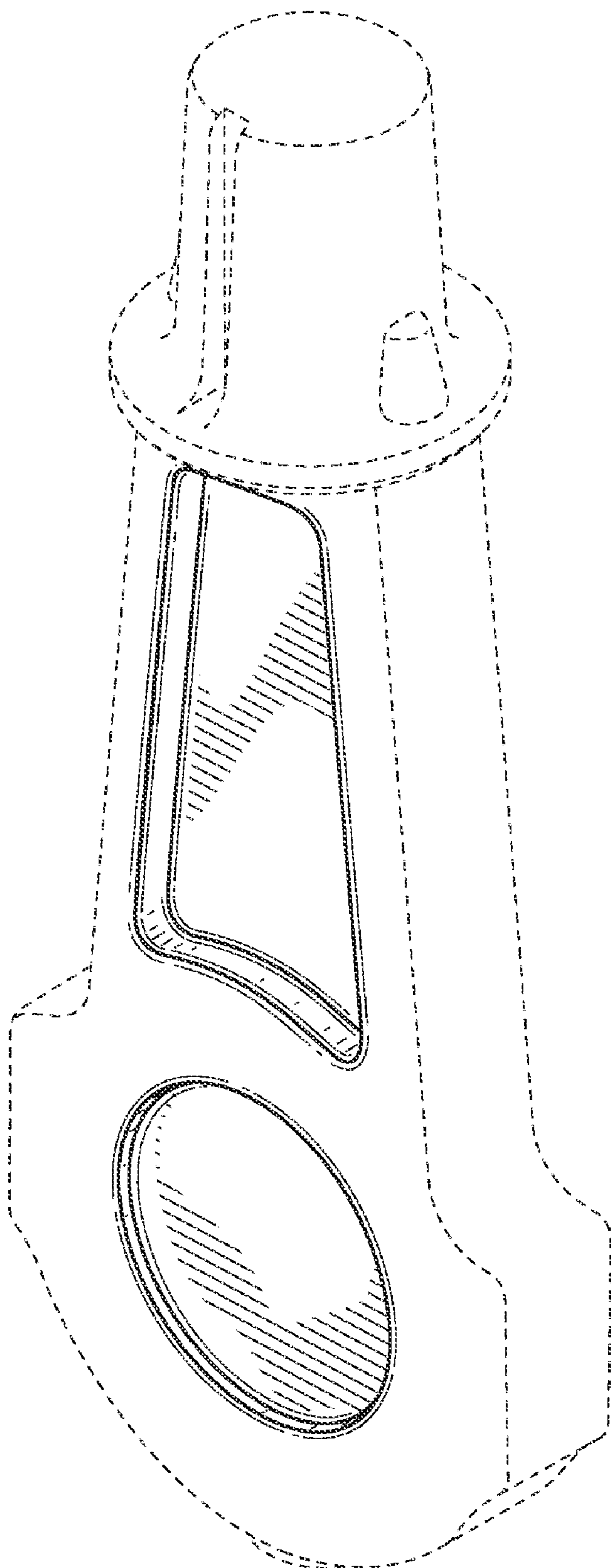


Fig. 1

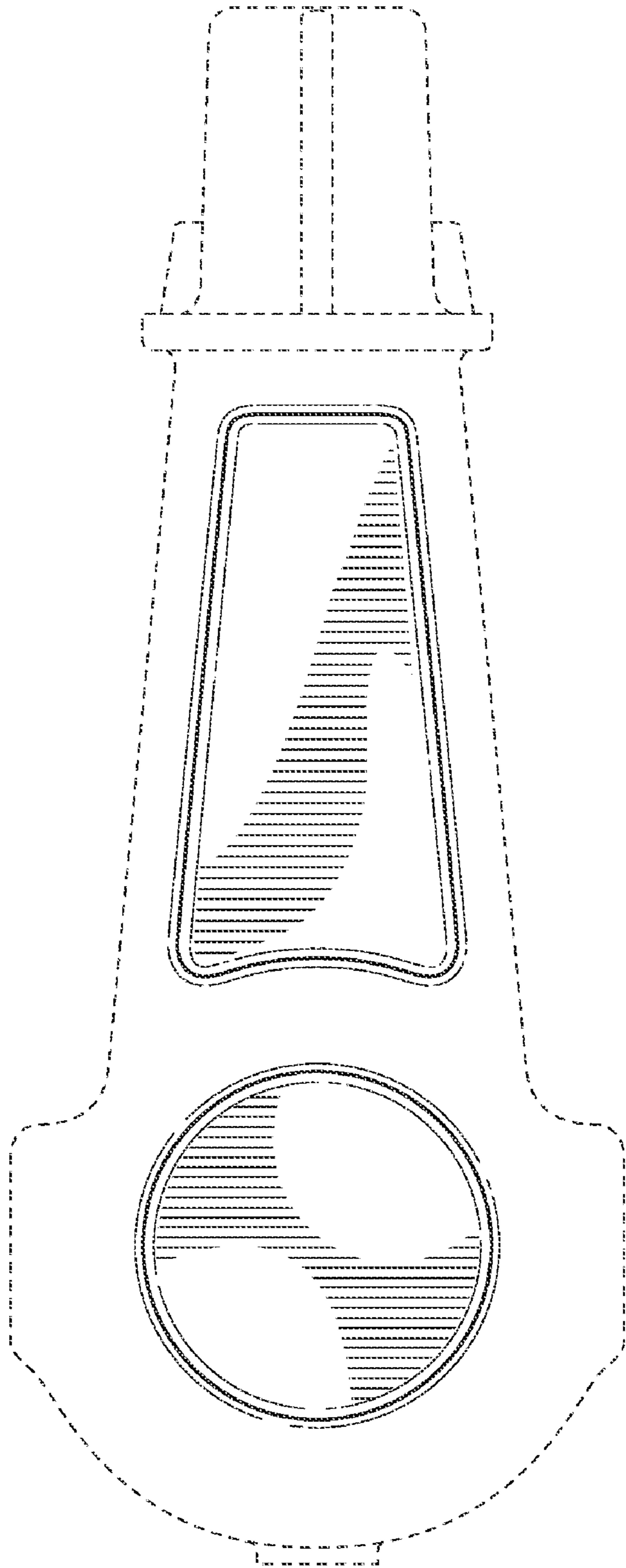


Fig. 2

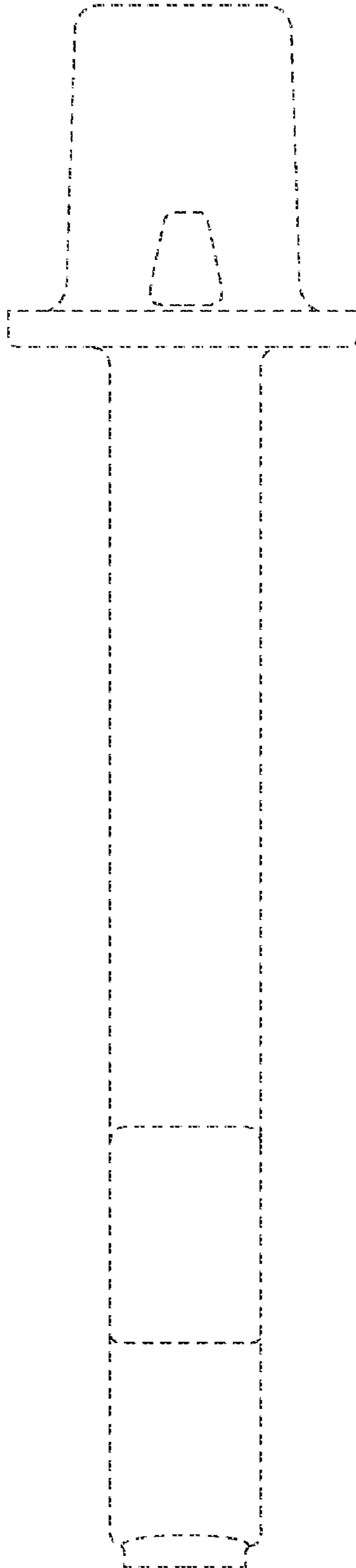


Fig. 3

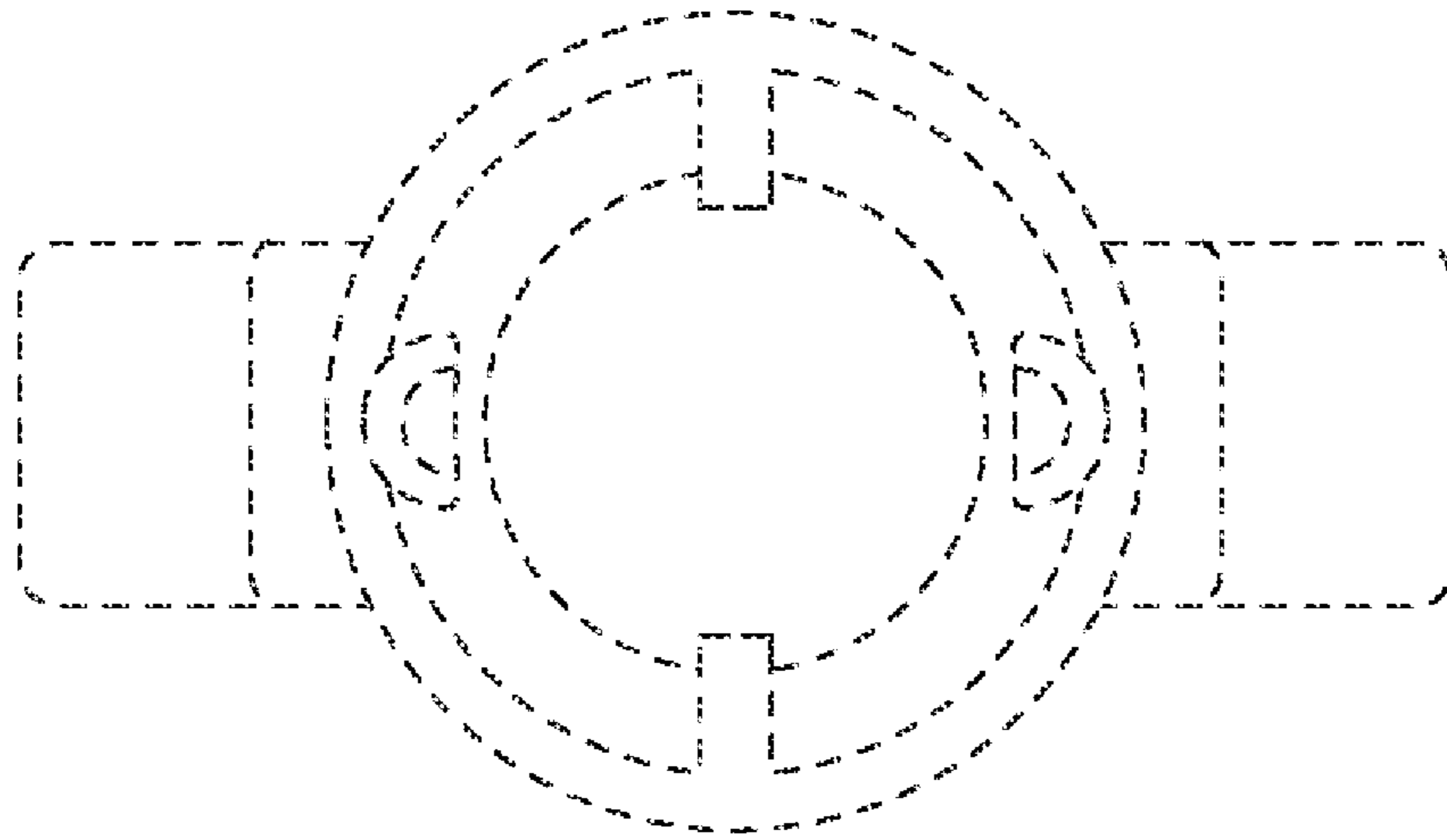


Fig. 4

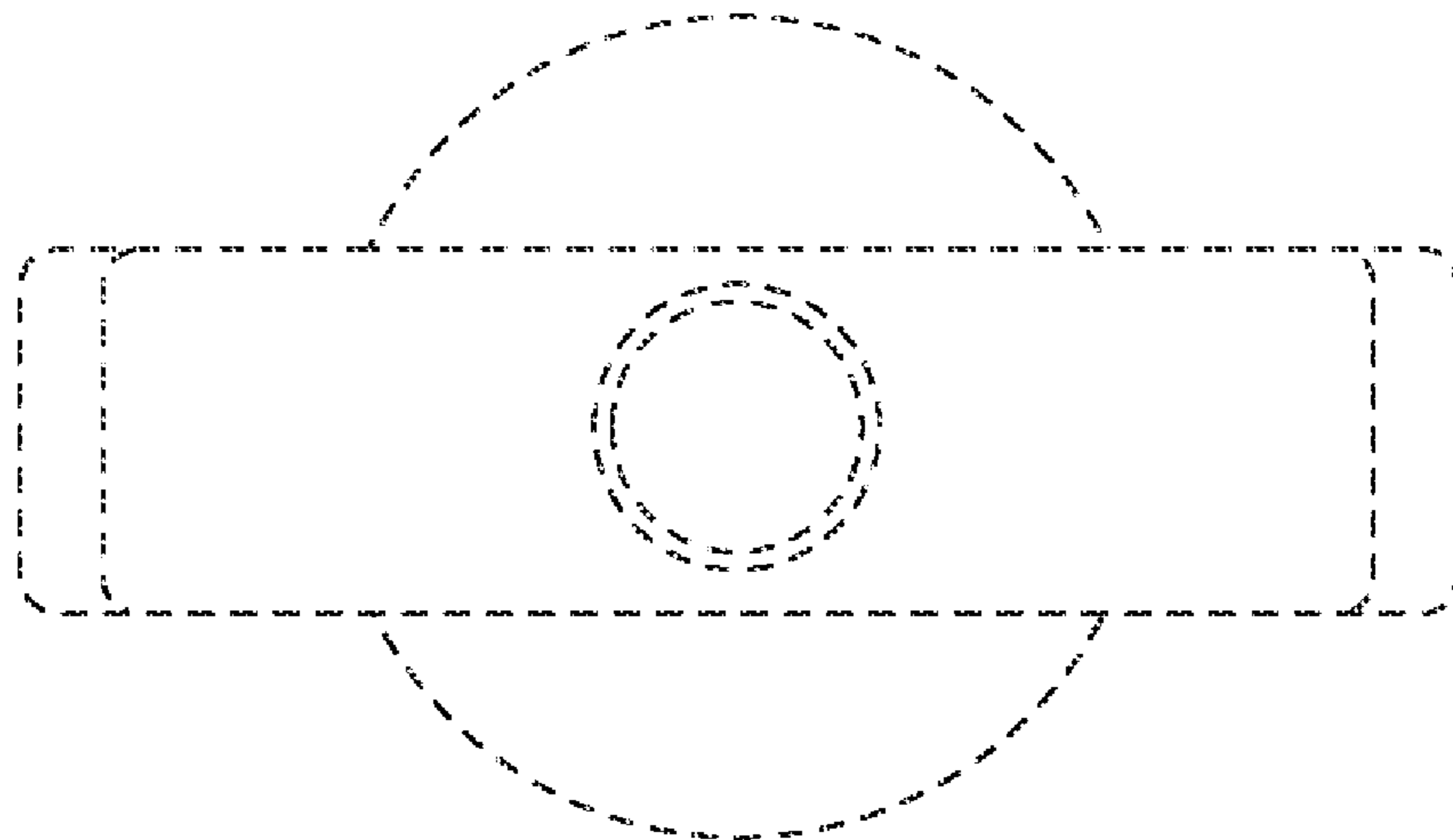


Fig. 5