



US00D641464S

(12) **United States Design Patent**
De Haan et al.

(10) **Patent No.:** **US D641,464 S**
(45) **Date of Patent:** **** Jul. 12, 2011**

(54) **AIR FRESHENER DISPENSER LID**

(75) Inventors: **Timothy De Haan**, Wilmington, DE (US);
Kyle Brandenburg, Middletown, DE
(US)

(73) Assignee: **Brandywine Product Group
International Inc.**

(**) Term: **14 Years**

(21) Appl. No.: **29/384,783**

(22) Filed: **Feb. 3, 2011**

(51) **LOC (9) Cl.** **28-99**

(52) **U.S. Cl.** **D23/366**

(58) **Field of Classification Search** D23/355-369;
D28/5, 6; 261/DIG. 17, DIG. 42, DIG. 65,
261/DIG. 88, DIG. 89; 392/386, 390-395;
239/34, 35, 44-47, 50, 53, 56, 60, 145, 326
See application file for complete search history.

(56) **References Cited**

U.S. PATENT DOCUMENTS

D212,753 S * 11/1968 Tughan D23/369
3,748,438 A * 7/1973 Costello 392/392
D254,930 S * 5/1980 Mandon et al. D23/369

D254,931 S * 5/1980 Mandon et al. D23/369
D255,263 S * 6/1980 Mandon et al. D23/369
D274,837 S * 7/1984 Lynch et al. D23/364
D555,478 S * 11/2007 Miller et al. D9/451

* cited by examiner

Primary Examiner — Sandra Snapp

(74) *Attorney, Agent, or Firm* — Connolly Bove Lodge &
Hutz LLP

(57) **CLAIM**

The ornamental design for an air freshener dispenser lid, as
shown and described.

DESCRIPTION

FIG. 1 is a right front perspective view of an air freshener
dispenser lid on a cylindrical container showing the inven-
tion;

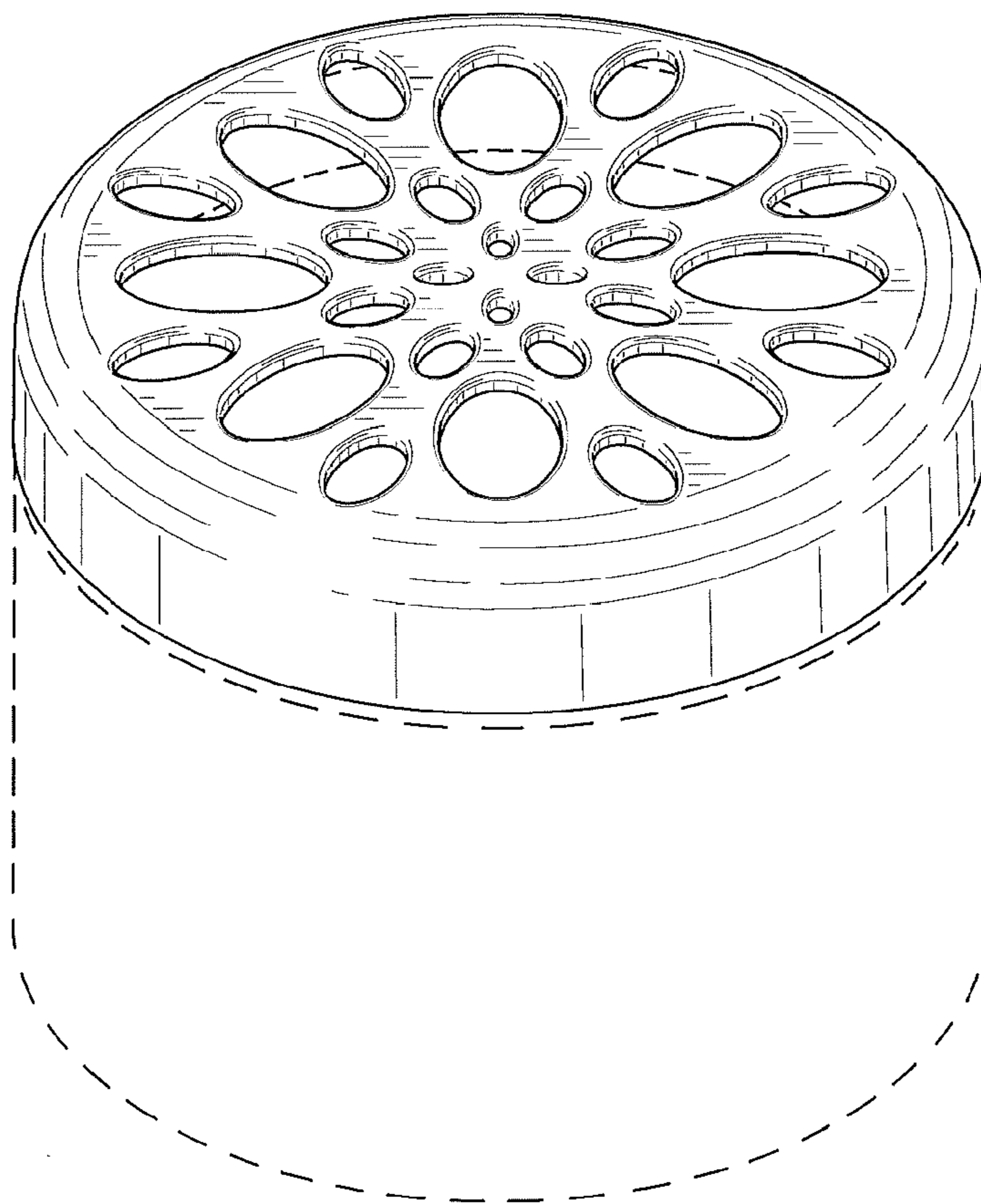
FIG. 2 is a top plan view of the air freshener dispenser lid of
FIG. 1;

FIG. 3 is a bottom plan view of the air freshener dispenser lid
of FIG. 1; and,

FIG. 4 is a front elevational view of the air freshener device of
FIG. 1, with the rear elevational view, left side elevational
view and right side elevational view being identical thereto.

The elements shown in phantom lines are for illustrative
purposes only and form no part of the claimed invention.

1 Claim, 3 Drawing Sheets



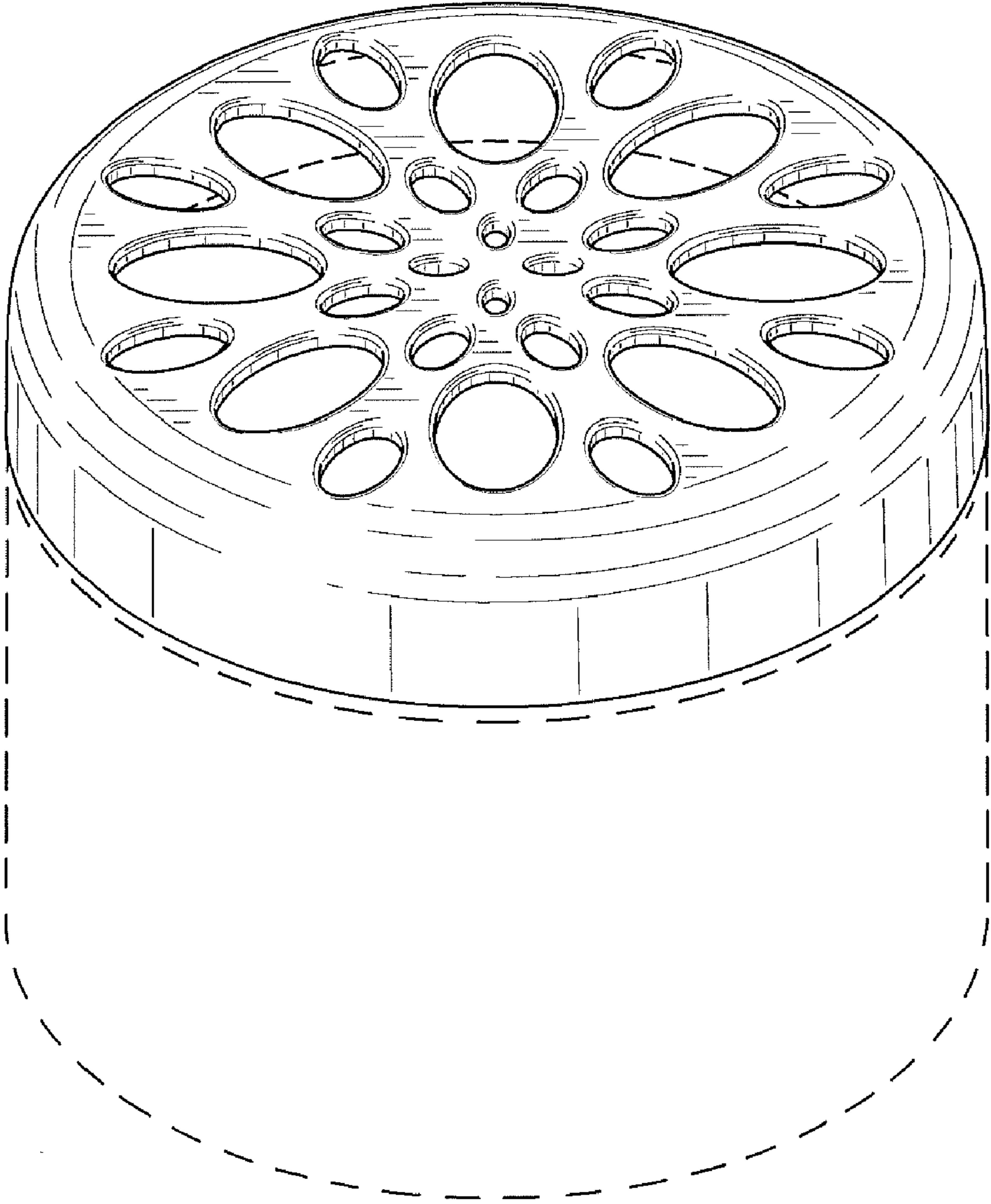


FIG. 1

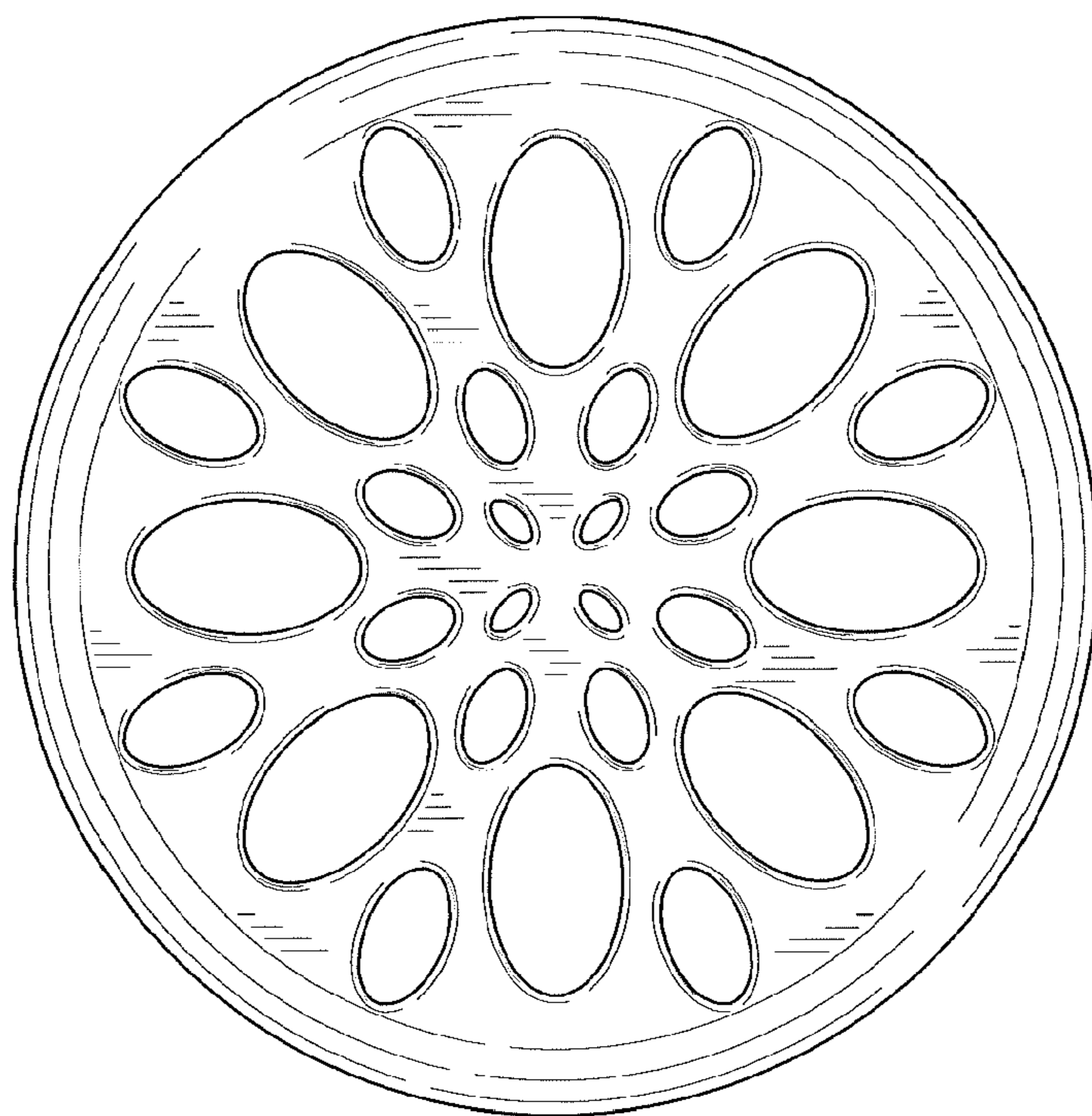


FIG. 2

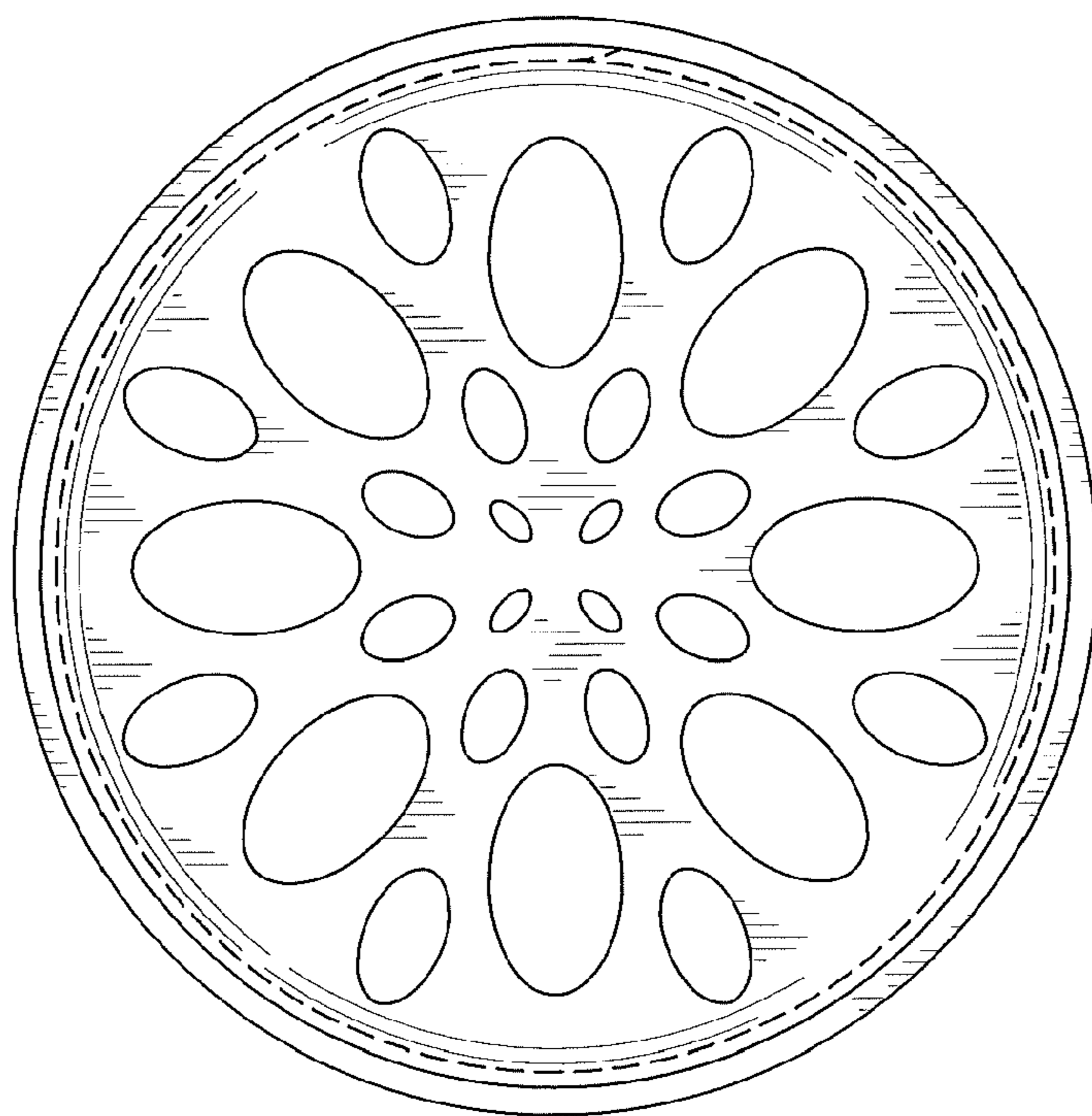


FIG. 3

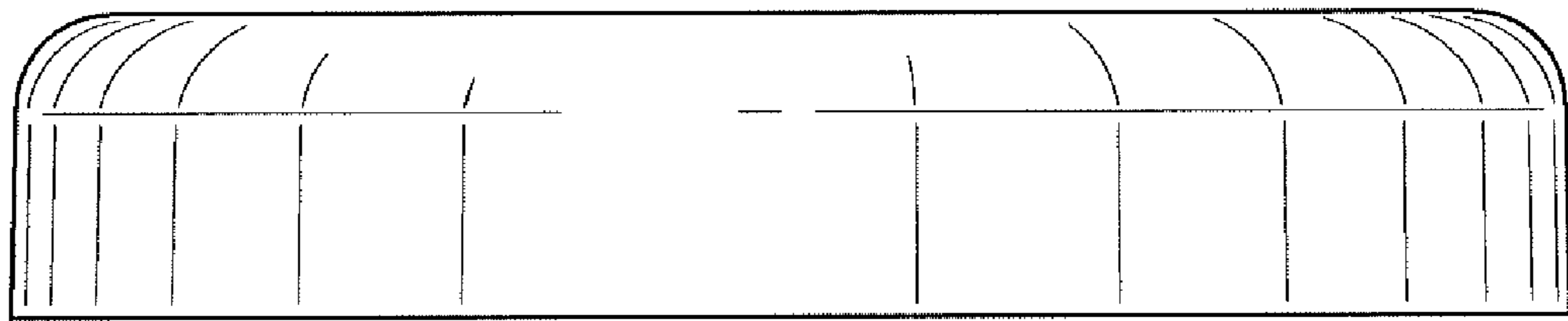


FIG. 4