

US00D641461S

(12) **United States Design Patent**
Rafi

(10) **Patent No.:** **US D641,461 S**
(45) **Date of Patent:** **** Jul. 12, 2011**

(54) **AIR FILTER**

(75) Inventor: **Mohammad Usman Rafi**, Fenham (GB)

(73) Assignee: **AAF-McQuay Inc.**, Louisville, KY
(US)

(**) Term: **14 Years**

(21) Appl. No.: **29/376,143**

(22) Filed: **Oct. 1, 2010**

(51) **LOC (9) Cl.** **23-04**

(52) **U.S. Cl.** **D23/365**

(58) **Field of Classification Search** D23/365,
D23/209, 363, 358, 386, 354, 341, 364, 393,
D23/372, 387; 55/385.3, 502, 497, 506,
55/505, 521, 495, 422, 493, DIG. 30; 210/435,
210/130, 136, 248, 339, 448, 452, 497.1;
454/354, 256, 367

See application file for complete search history.

(56) **References Cited**

U.S. PATENT DOCUMENTS

2,433,544	A *	12/1947	Blake et al.	454/354
D260,422	S *	8/1981	Husted	D23/209
D288,230	S *	2/1987	Thatcher	D23/263
D376,640	S *	12/1996	Kloster	D23/365
5,775,988	A *	7/1998	Eakin	454/256
6,136,077	A *	10/2000	Walker	55/385.3

D455,826	S *	4/2002	Gillingham et al.	D23/365
6,796,100	B1 *	9/2004	Venezia	454/367
D528,646	S *	9/2006	Stout, Jr.	D23/393
D537,931	S *	3/2007	Kashimura	D23/372
D538,917	S *	3/2007	Kashimura	D23/372
7,338,544	B2	3/2008	Sporre et al.	
D571,450	S *	6/2008	Brown	D23/387
7,625,419	B2	12/2009	Nelson et al.	
D620,585	S *	7/2010	Adair et al.	D23/387

* cited by examiner

Primary Examiner — David Muller

(74) *Attorney, Agent, or Firm* — Scott W. Higdon; John F. Salazar; Middleton Reutlinger

(57) **CLAIM**

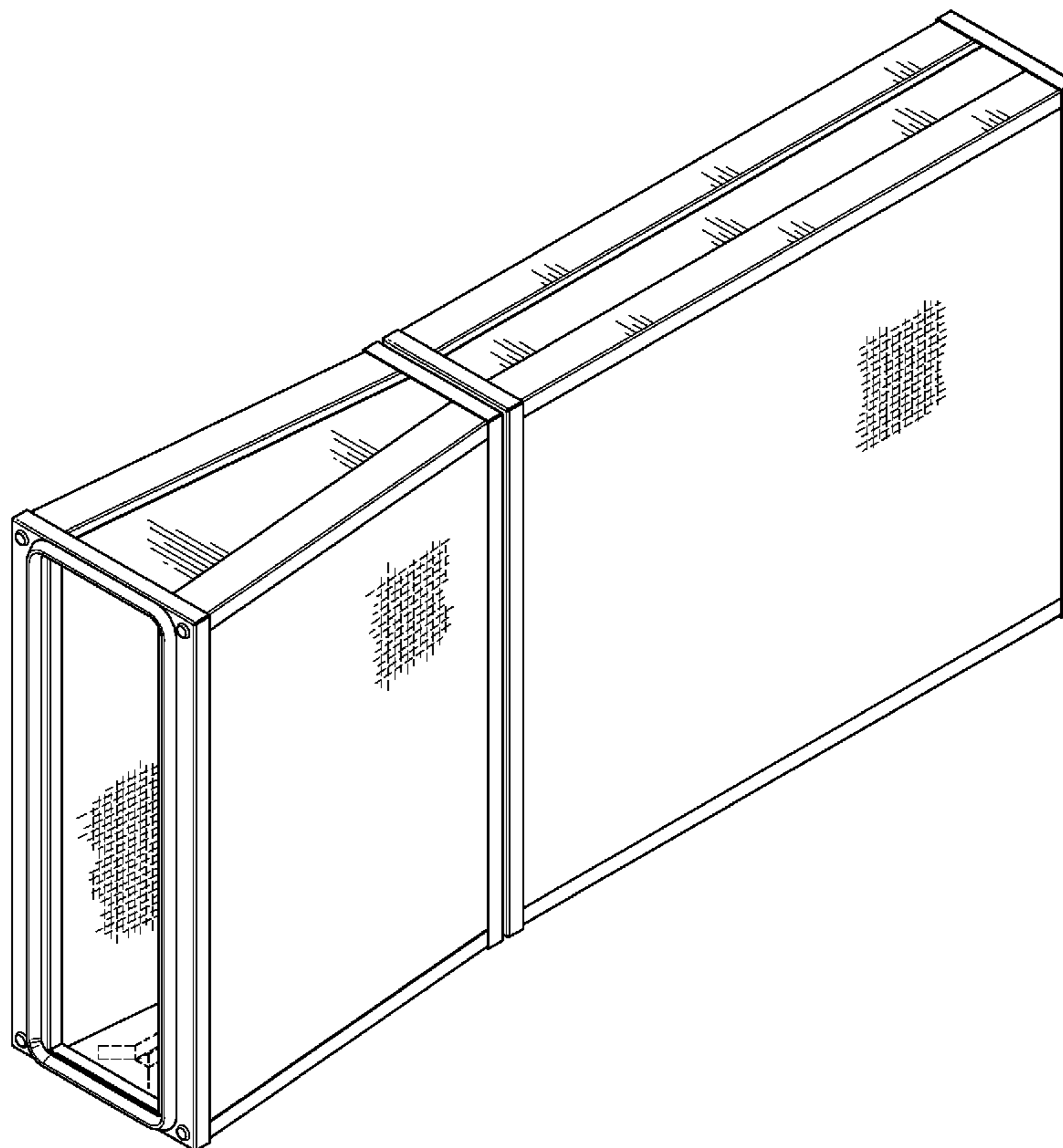
The ornamental design for an air filter, as shown and described.

DESCRIPTION

FIG. 1 is a upper perspective view of the air filter of the present invention;
FIG. 2 is a lower perspective view thereof;
FIG. 3 is a rear view thereof;
FIG. 4 is a front view thereof;
FIG. 5 is a left side view thereof, the right side view being a mirror image thereof; and,
FIG. 6 is a top view thereof, the bottom view being a mirror image thereof.

The features shown in broken lines depict environmental structure only and form no part of the claimed design.

1 Claim, 5 Drawing Sheets



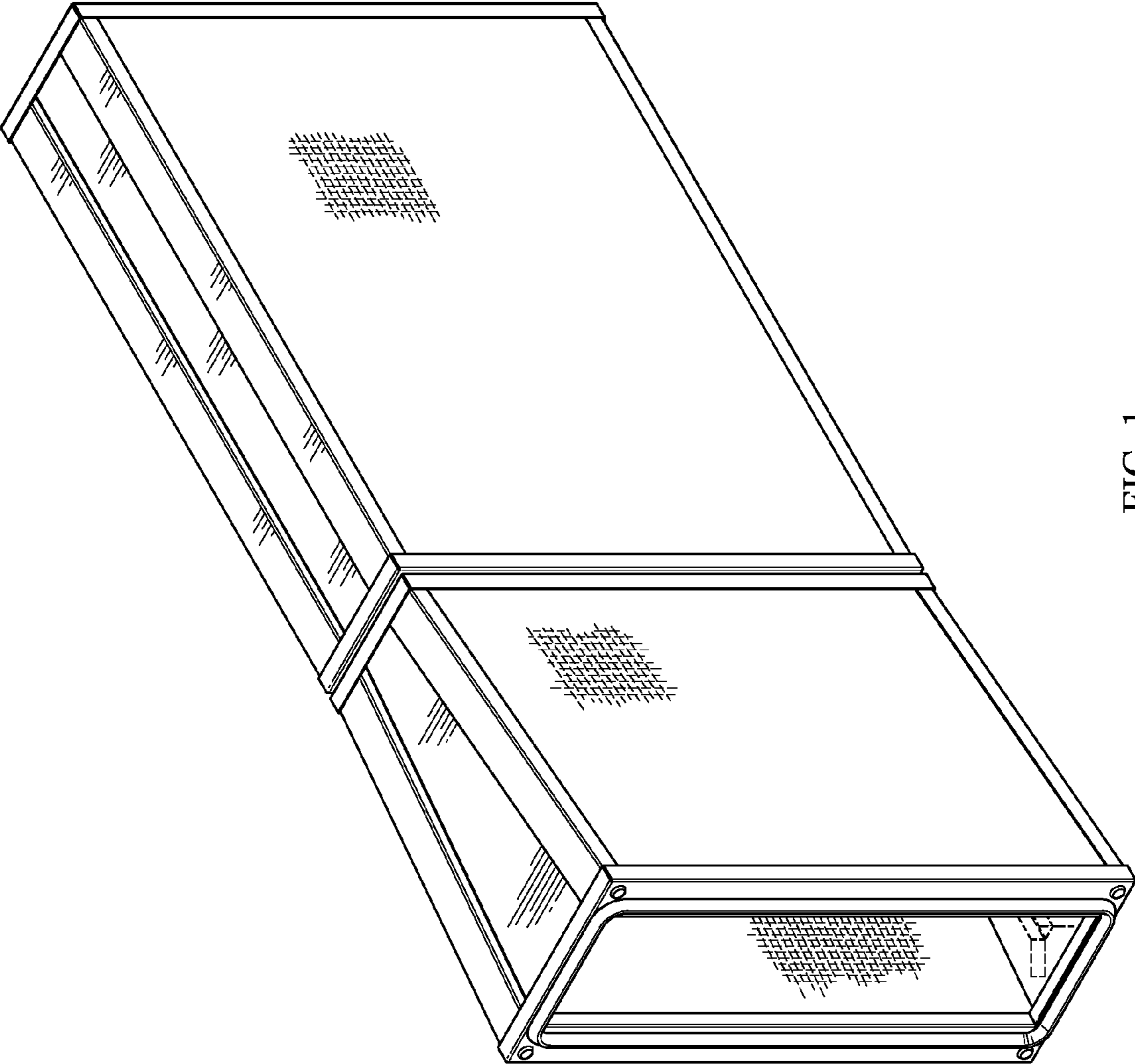


FIG. 1

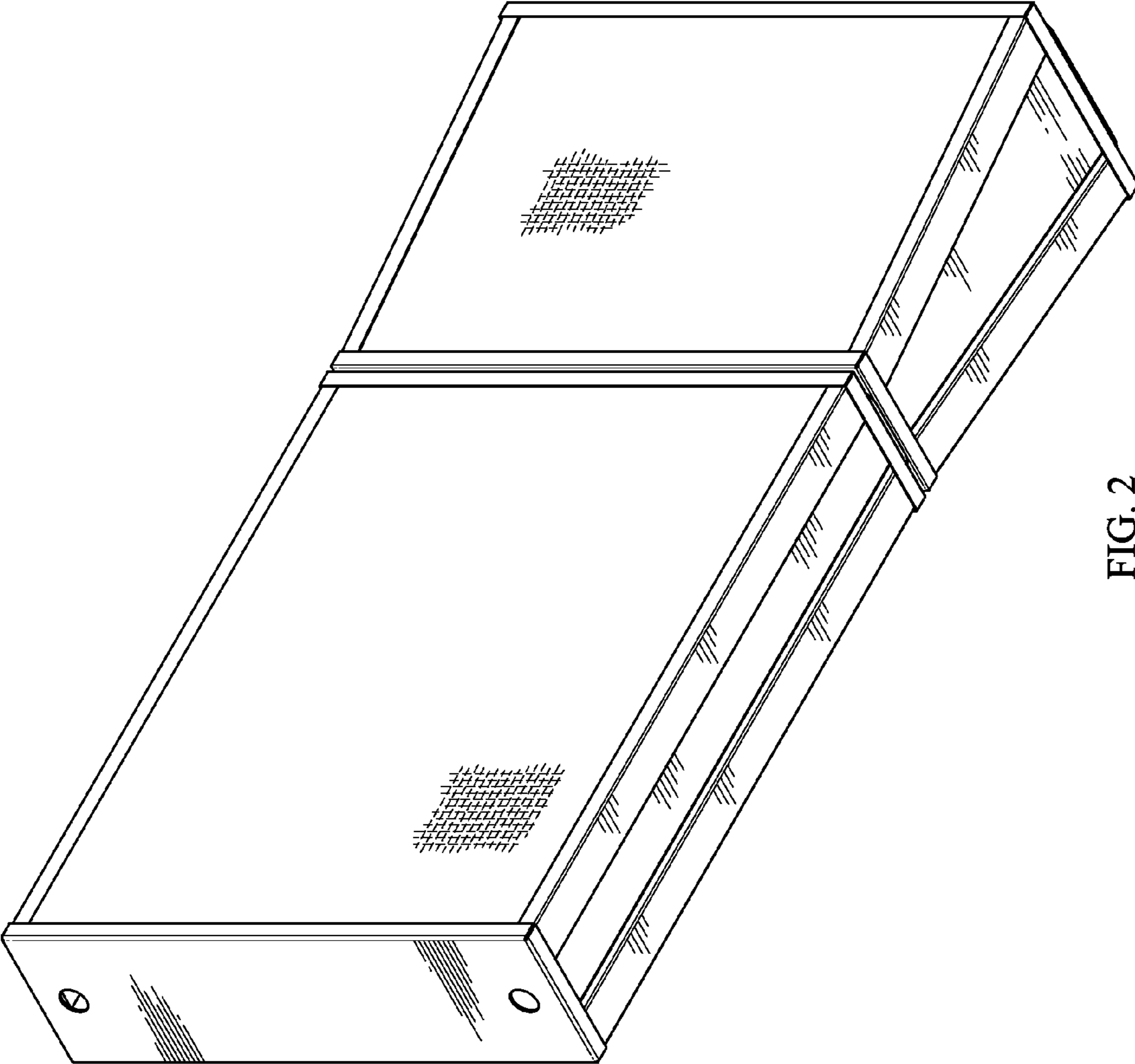


FIG. 2

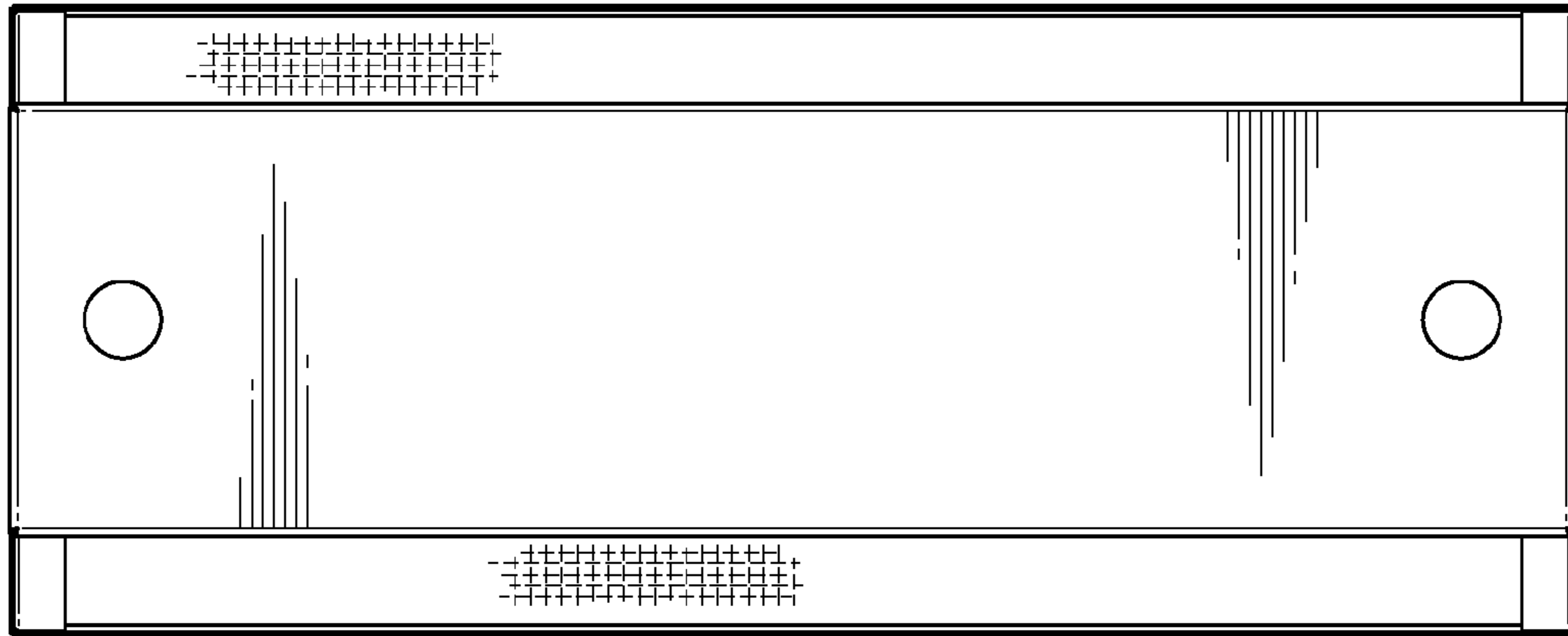


FIG. 4

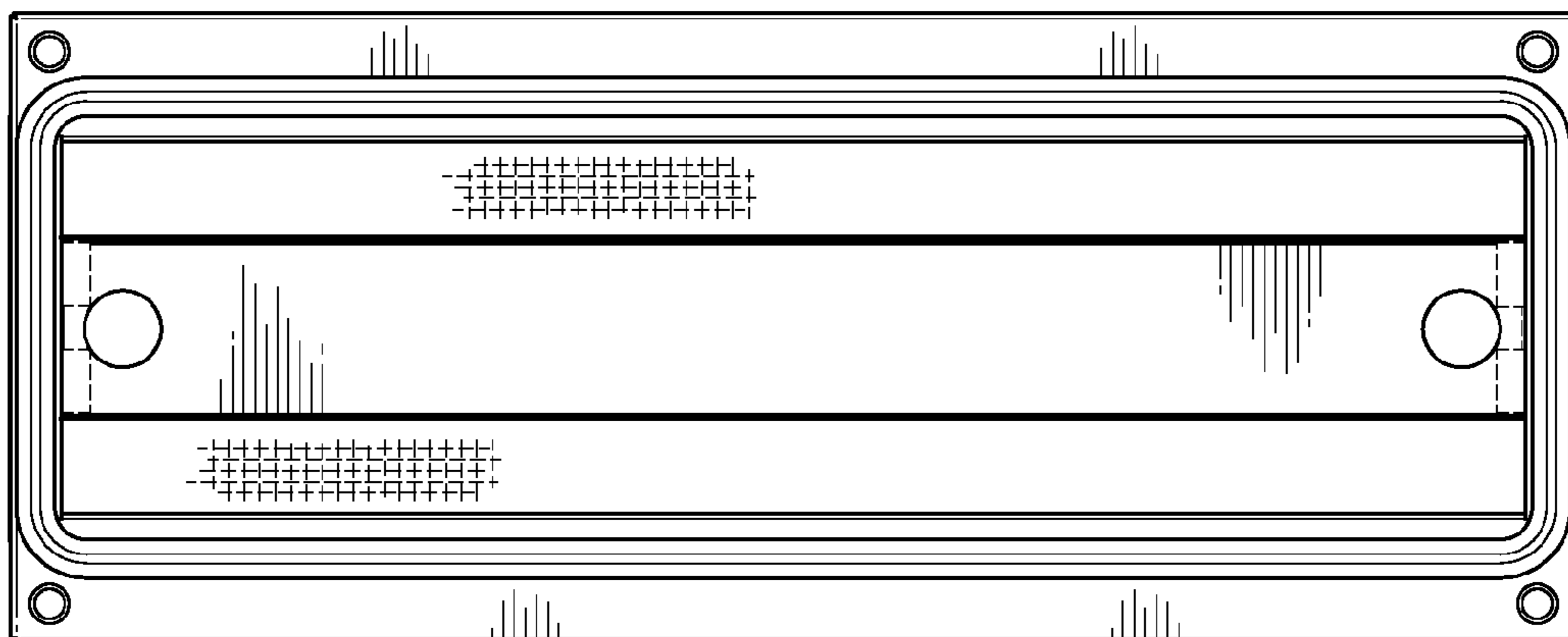


FIG. 3

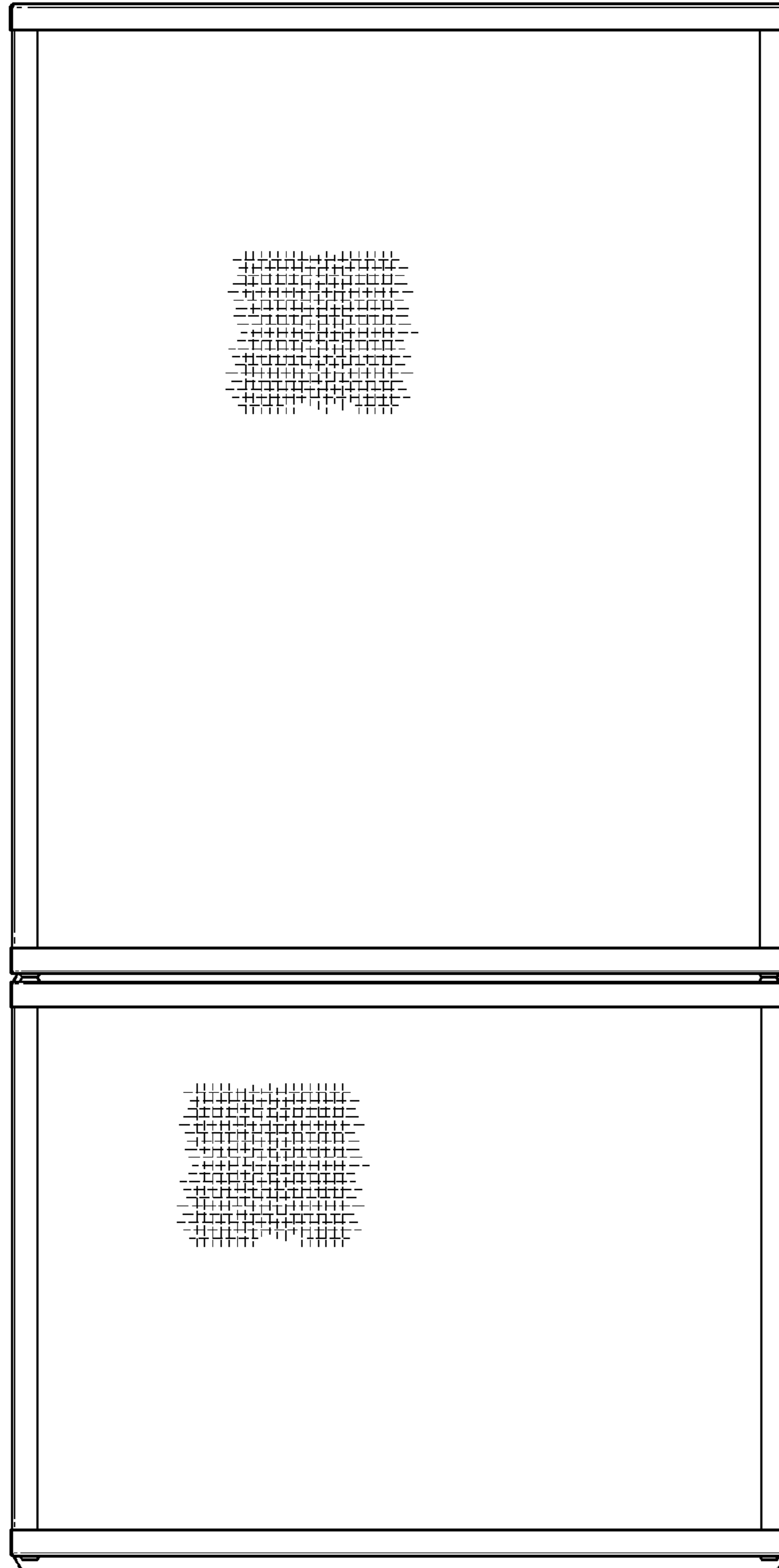


FIG. 5

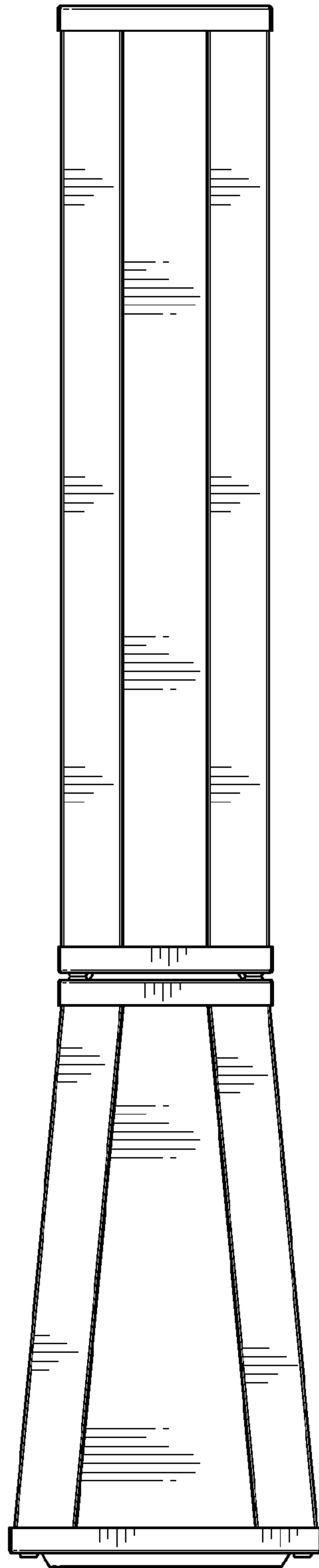


FIG. 6