



US00D641460S

(12) **United States Design Patent**
Choi

(10) **Patent No.:** **US D641,460 S**
(45) **Date of Patent:** **** Jul. 12, 2011**

(54) **WATER HEATER FOR A WATER PURIFIER
IN A SINK**

(75) Inventor: **Hun Jung Choi**, Seoul (KR)

(73) Assignee: **Woongjin Coway Co., Ltd.**,
Choongcheongnam-do (KR)

(**) Term: **14 Years**

(21) Appl. No.: **29/382,143**

(22) Filed: **Dec. 29, 2010**

(30) **Foreign Application Priority Data**

Jun. 29, 2010 (KR) 30-2010-0028421

(51) **LOC (9) Cl.** **23-03**

(52) **U.S. Cl.** **D23/318**

(58) **Field of Classification Search** D23/318,
D23/322, 319, 320, 321, 334, 314, 329, 207;
126/361, 35 R; 122/13.2, 14, 15, 19.2; 392/449,
392/451, 454, 365, 366, 373-376, 67, 482;
D13/199, 184; 237/8 R, 8 B, 9 R, 16, 56,
237/61, 62, 78 A; 210/435
See application file for complete search history.

(56) **References Cited**

U.S. PATENT DOCUMENTS

5,614,068 A * 3/1997 Kim 204/232
D532,878 S * 11/2006 Cortese D23/318

D603,491 S * 11/2009 Villalobos et al. D23/318
D611,567 S * 3/2010 Laursen D23/207
D616,535 S * 5/2010 Lee D23/318
D618,301 S * 6/2010 Cho D23/207
D621,490 S * 8/2010 Schmidt D23/319

FOREIGN PATENT DOCUMENTS

EM 001237788-0001 10/2010

* cited by examiner

Primary Examiner — T. Chase Nelson

Assistant Examiner — Ania Dworzecka

(74) *Attorney, Agent, or Firm* — McDermott Will & Emery
LLP

(57) **CLAIM**

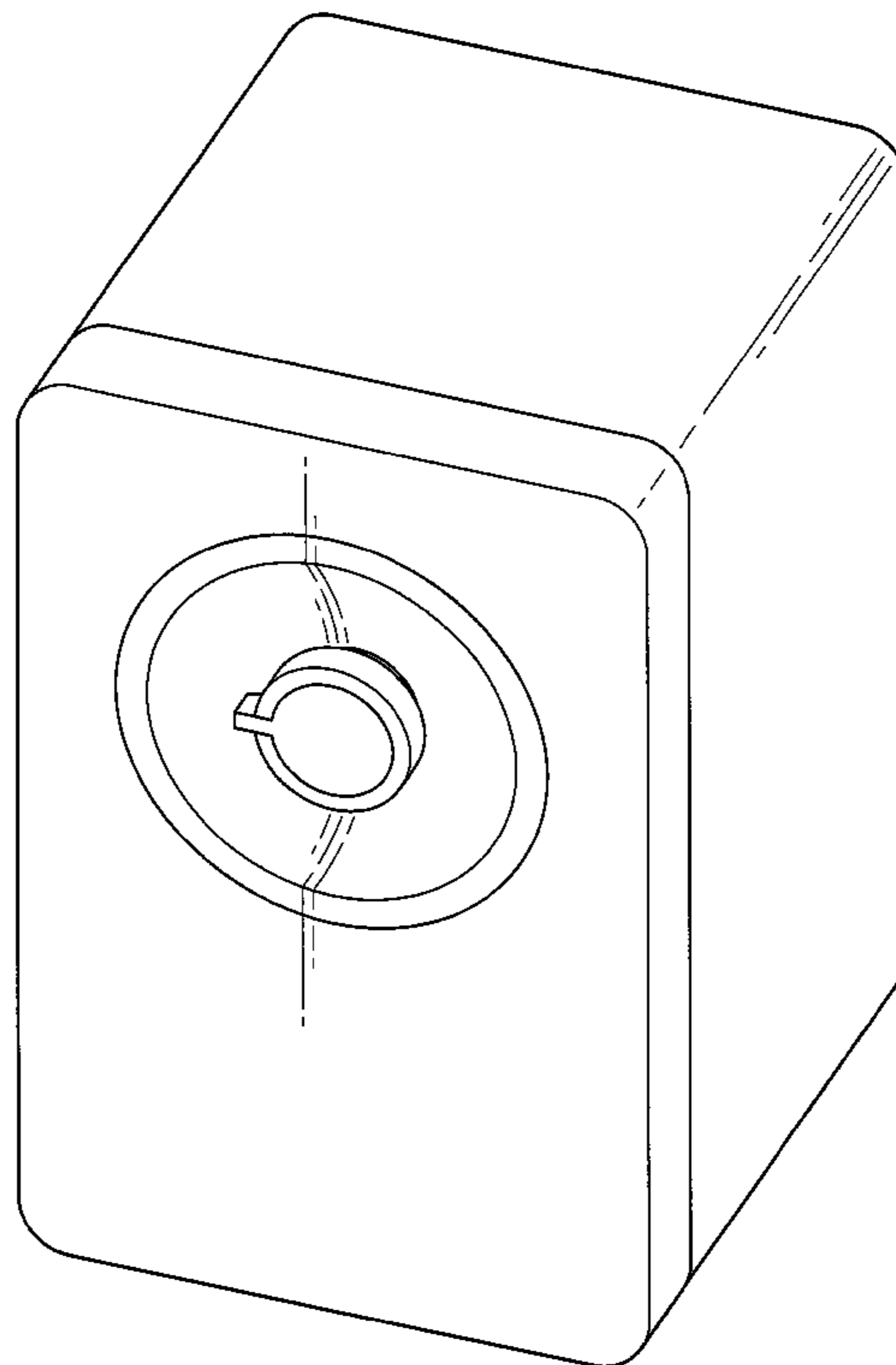
I claim the ornamental design for a water heater for a water purifier in a sink, as shown and described.

DESCRIPTION

FIG. 1 is a front perspective view of a water heater for a water purifier in a sink showing my new design; FIG. 2 is a front elevation view thereof; FIG. 3 is a left side elevation view thereof; and, FIG. 4 is a top plan view thereof.

The water heater is used with a water purifier which is installed in a sink and connected with a water pipe and it can provide warm and hot purified water through a faucet which is established on the upper part of the sink.

1 Claim, 4 Drawing Sheets



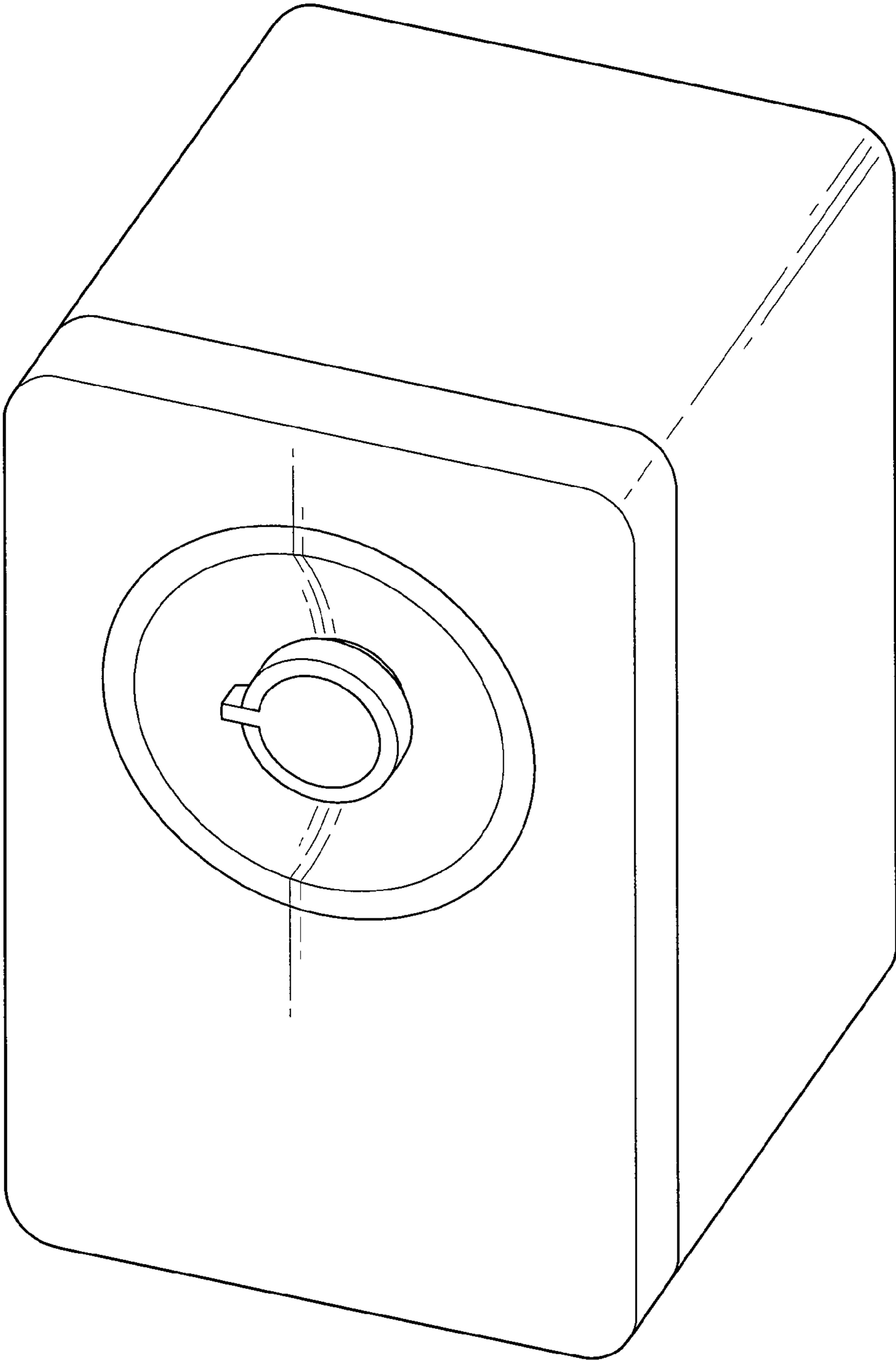


FIG. 1

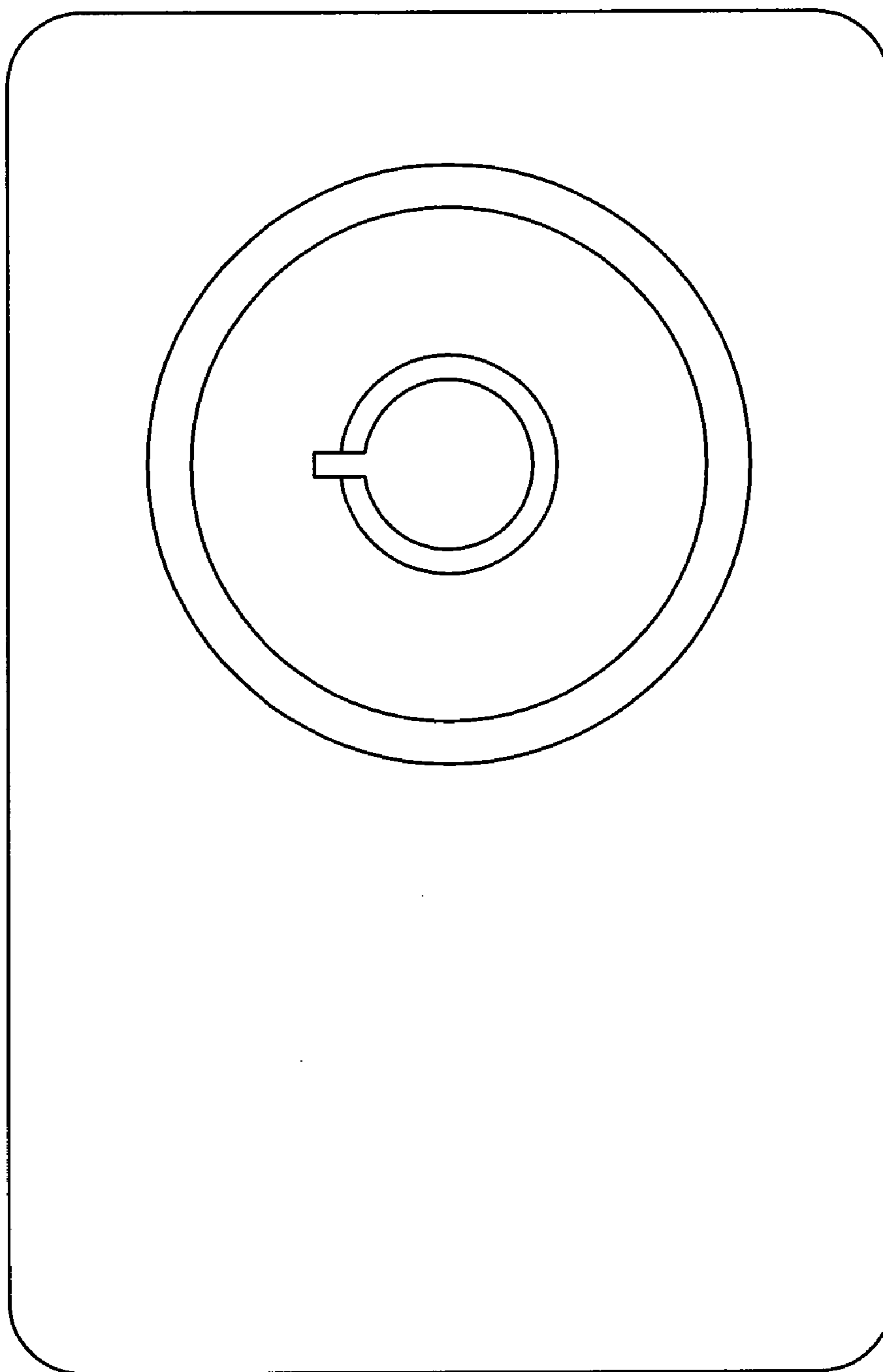


FIG. 2

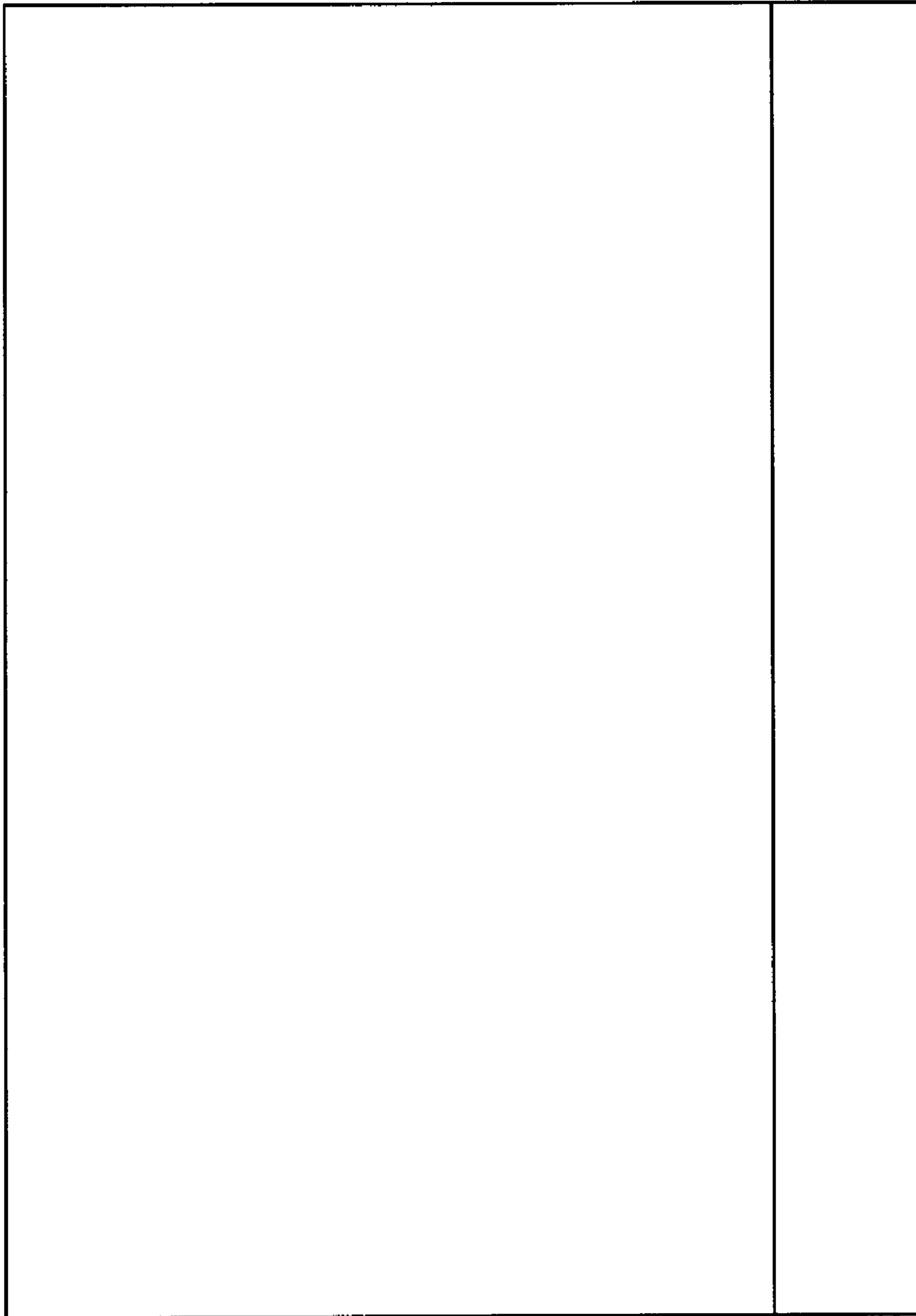


FIG. 3

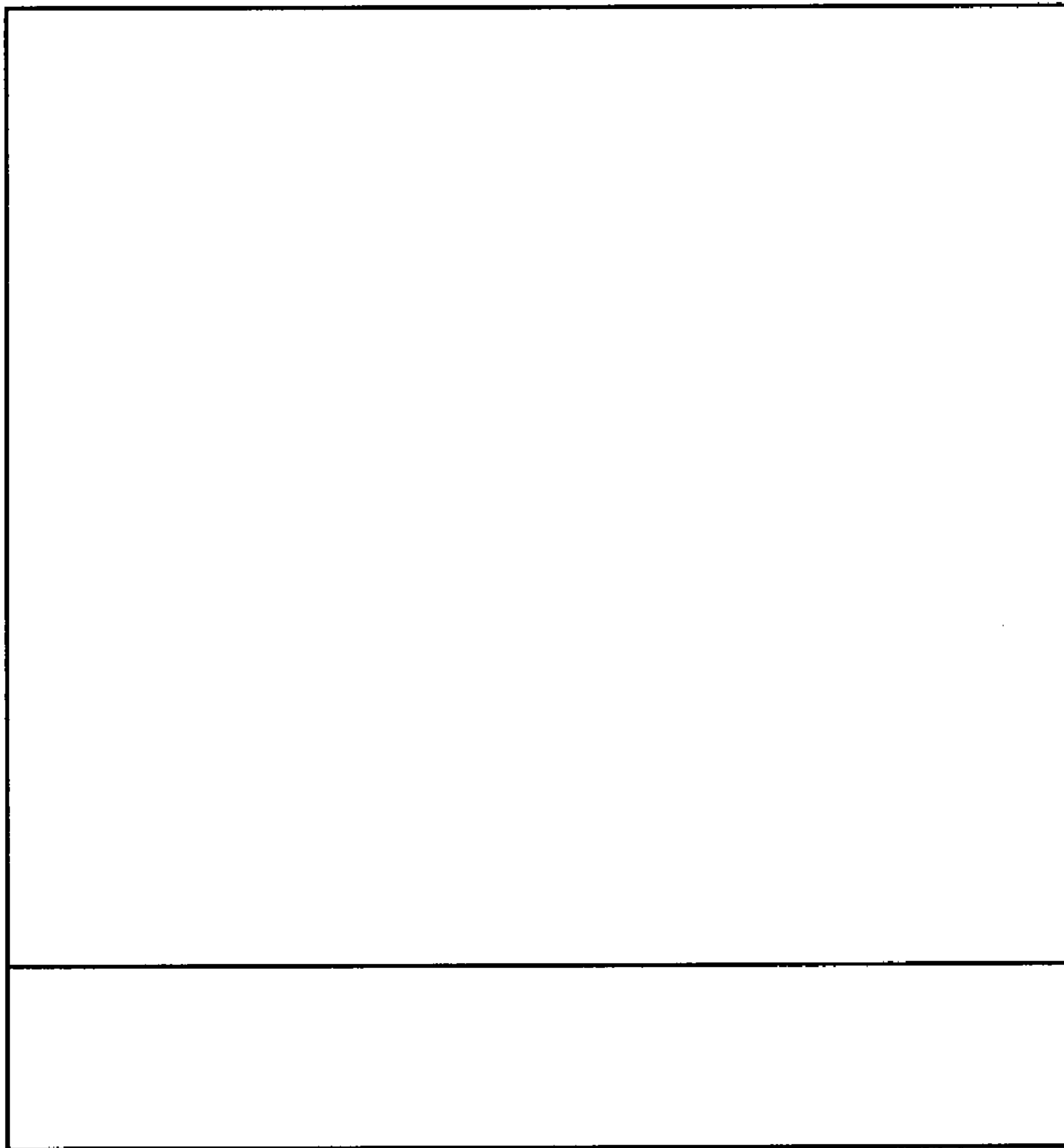


FIG. 4