



US00D641459S

(12) **United States Design Patent**
Corpuz, Jr. et al.

(10) **Patent No.:** **US D641,459 S**
(45) **Date of Patent:** **** Jul. 12, 2011**

(54) **PLUMBING FIXTURE**

(75) Inventors: **Roque M. Corpuz, Jr.**, Sheboygan, WI (US); **Mary Reid**, Sheboygan, WI (US)

(73) Assignee: **Kohler Co.**, Kohler, WI (US)

(**) Term: **14 Years**

(21) Appl. No.: **29/377,697**

(22) Filed: **Oct. 25, 2010**

(51) **LOC (9) Cl.** **23-02**

(52) **U.S. Cl.** **D23/313**

(58) **Field of Classification Search** D23/301,
D23/303, 309, 313; 4/353

See application file for complete search history.

(56) **References Cited**

U.S. PATENT DOCUMENTS

D410,998 S	6/1999	Jones	
D472,310 S *	3/2003	Kawamura	D23/301
D472,619 S	4/2003	Kawamura	
D520,615 S	5/2006	Hou	
D521,131 S *	5/2006	Hou	D23/313
D532,493 S	11/2006	Bucher	
D532,875 S	11/2006	Kaule	
D533,927 S	12/2006	Kakihana	
D578,620 S *	10/2008	Zou et al.	D23/301
D578,625 S	10/2008	Ho	
D579,092 S	10/2008	Cummings	
D585,128 S *	1/2009	Slothower et al.	D23/313
D601,233 S	9/2009	Kergoet	
D603,029 S	10/2009	Bucher	
D603,945 S	11/2009	Bucher	
D608,430 S *	1/2010	Slothower et al.	D23/313
D616,077 S	5/2010	Lin et al.	
D621,011 S	8/2010	Bucher	
D621,488 S	8/2010	Bucher	
D624,165 S	9/2010	Yokoyama et al.	
D624,997 S	10/2010	Schonherr et al.	

OTHER PUBLICATIONS

Kohler Co. "Wellworth Pressure-Lite Toilet". Model No. K-3505.
Kohler Catalog.

Kohler Co. "Leighton Comfort-Height Toilet". Model No. K-3651.
Kohler.com online catalog. Copyright 2009 Kohler Co.
Kohler Co. "Kelston Comfort Height Toilet". Model No. K-3755.
Kohler Catalog.
Niagra Conservation. "Stealth" Toilet. StealthToilets.com online catalog.
American Standard. "Tropic" Toilet.
American Standard. "Evolution 2" Toilet.

(Continued)

Primary Examiner — Robert Delehanty

(74) *Attorney, Agent, or Firm* — Quarles & Brady LLP

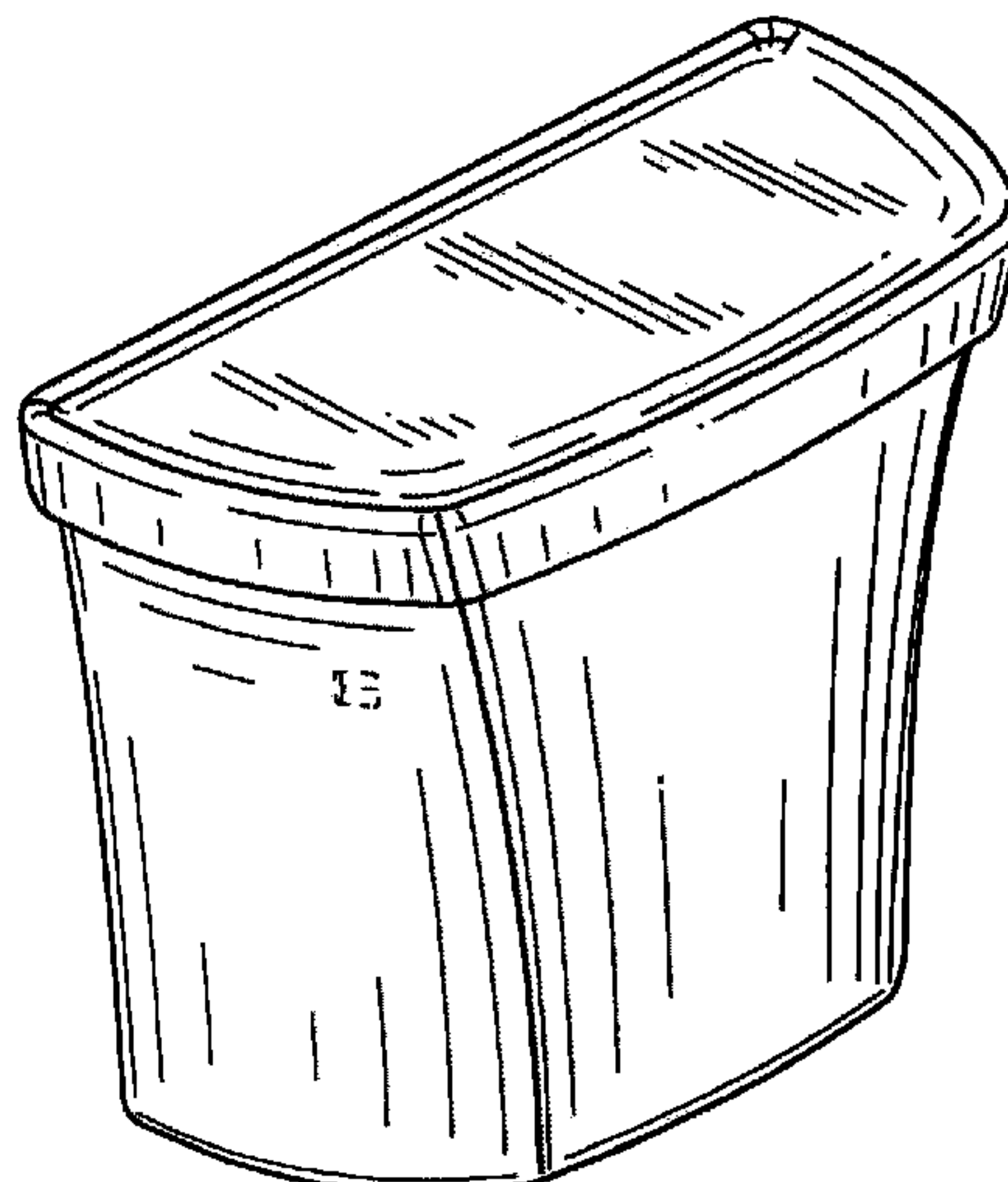
(57) **CLAIM**

The ornamental design for a plumbing fixture, as shown and described.

DESCRIPTION

FIG. 1 is a left, top, front perspective view of a plumbing fixture embodying our new design
FIG. 2 is a front elevational view thereof;
FIG. 3 is a lee side elevational view thereof;
FIG. 4 is a right side elevational view thereof;
FIG. 5 is a top plan view thereof;
FIG. 6 is a bottom plan view thereof;
FIG. 7 is a rear elevational view thereof;
FIG. 8 is a left, top, front perspective view of a plumbing fixture according to another embodiment of our new design;
FIG. 9 is a front elevational view thereof;
FIG. 10 is a left side elevational view thereof;
FIG. 11 is a right side elevational view thereof;
FIG. 12 is a top plan view thereof;
FIG. 13 is a bottom plan view thereof; and,
FIG. 14 is a rear elevational view thereof.
The dash-dash broken line representations in the figures are for the purpose of illustrating unclaimed environment of the claimed design. The dot-dash-dot broken line representations define unclaimed boundaries of the claimed design.
In a preferred embodiment, the nature of this product is as a plumbing fixture in the form of a tank and/or lid component for a water closet.

1 Claim, 8 Drawing Sheets



OTHER PUBLICATIONS

American Standard. "Skyline" Toilet.
American Standard. "Cadet" Toilet.
American Standard. "Champion" Toilet.
American Standard. "Studio" Toilet.
American Standard. "Doral" Toilet.
American Standard. "Town Square" Toilet.
American Standard. "Colony" Toilet.
American Standard. "Triumph" Toilet.
Briggs. "M128" Toilet.
Briggs. "Conserver" Toilet.
Briggs. "Vacuity" Toilet.
Briggs. "Aegis" Toilet.
Caroma. "Sydney" Toilet.
Caroma. "Royale" Toilet.
Crane. "Saratoga" Toilet.
Crane. "Hymont" Toilet.
Crane. "Galaxy" Toilet.
Crane. "Toilet to Go" Toilet.
Eljer. "Titan" Toilet.
Eljer. "Patriot" Toilet.
Eljer. "Diplomat" Toilet.
Eljer. "Calloway" Toilet.
Eljer. "Stratus" Toilet.
Eljer. "Belmont" Toilet.
Foremost. Toilets.
Gerber. "Avalanche".
Gerber. "Lynx".
Gerber. "Viper".

Gerber. "Aqua Saver".
Gerber. "Maxwell".
Lowe's. "Aquasource" Toilets.
Mansfield. "Quantum" Toilet.
Mansfield. "Maverick" Toilet.
Mansfield. "Essence" Toilet.
Mansfield. "Summit" Toilet.
Mansfield. "Montclair" Toilet.
Mansfield. "Romanesque" Toilet.
Mansfield. "Reo" Toilet.
Mirabelle. Toilet.
Pro Flo. Toilets.
St. Thomas Creations. "Apollo".
St. Thomas Creations. "Marathon".
St. Thomas Creations. "Presley".
THD. "Glacier Bay". Toilets.
Toto. "Carusoe".
Toto. "Drake".
Toto. "Whitney".
Toto. "Vespin".
Toto. "Carrollton".
Toto. "Clayton".
Vortens. "Rhodas".
Vortens. "Loretto".
Vortens. "Manchester".
Vortens. "Tornado".
Vortens. "Vienna".
Zurn. Toilets.
Niagra. Stealth.

* cited by examiner

FIG. 1

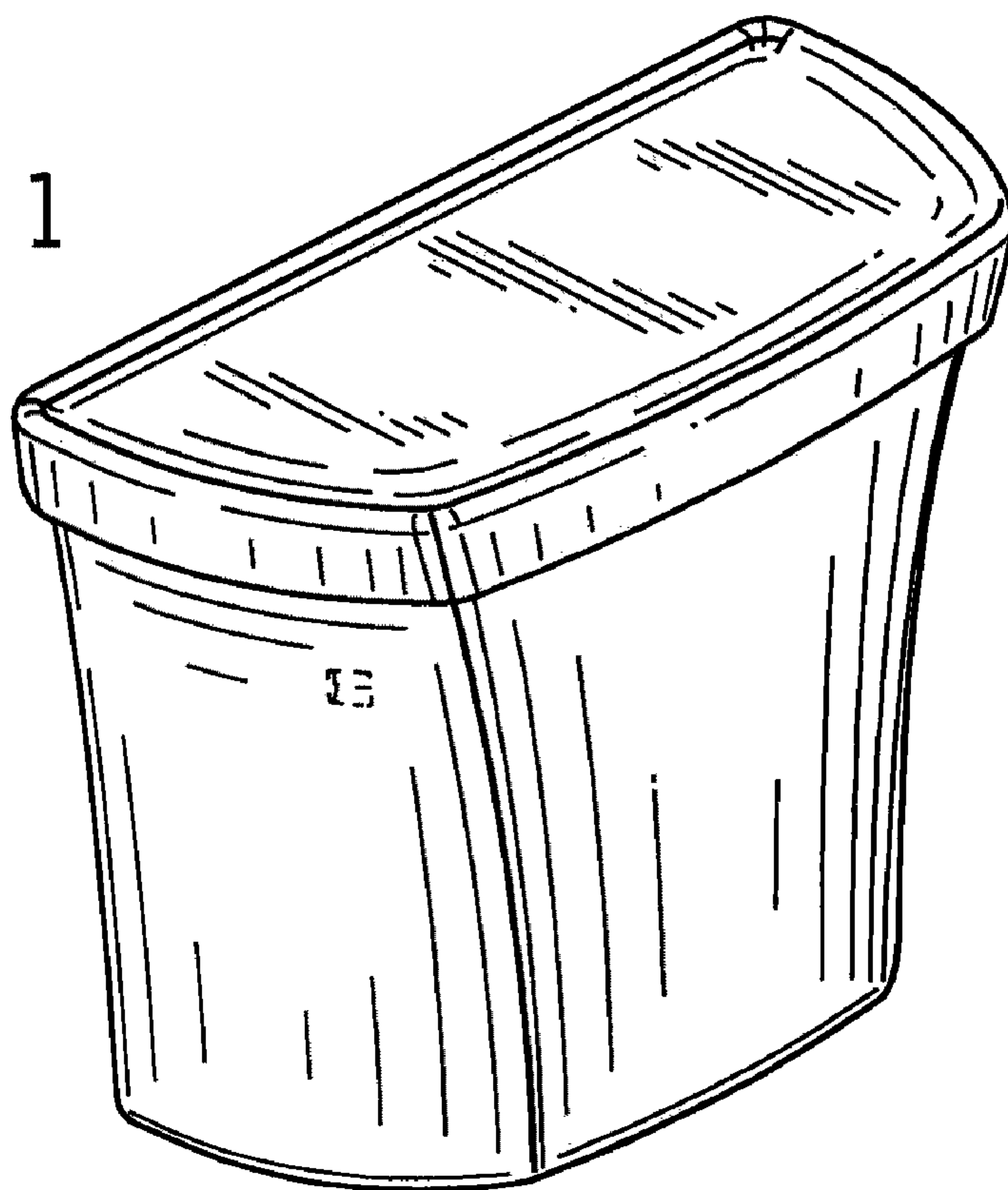


FIG. 2

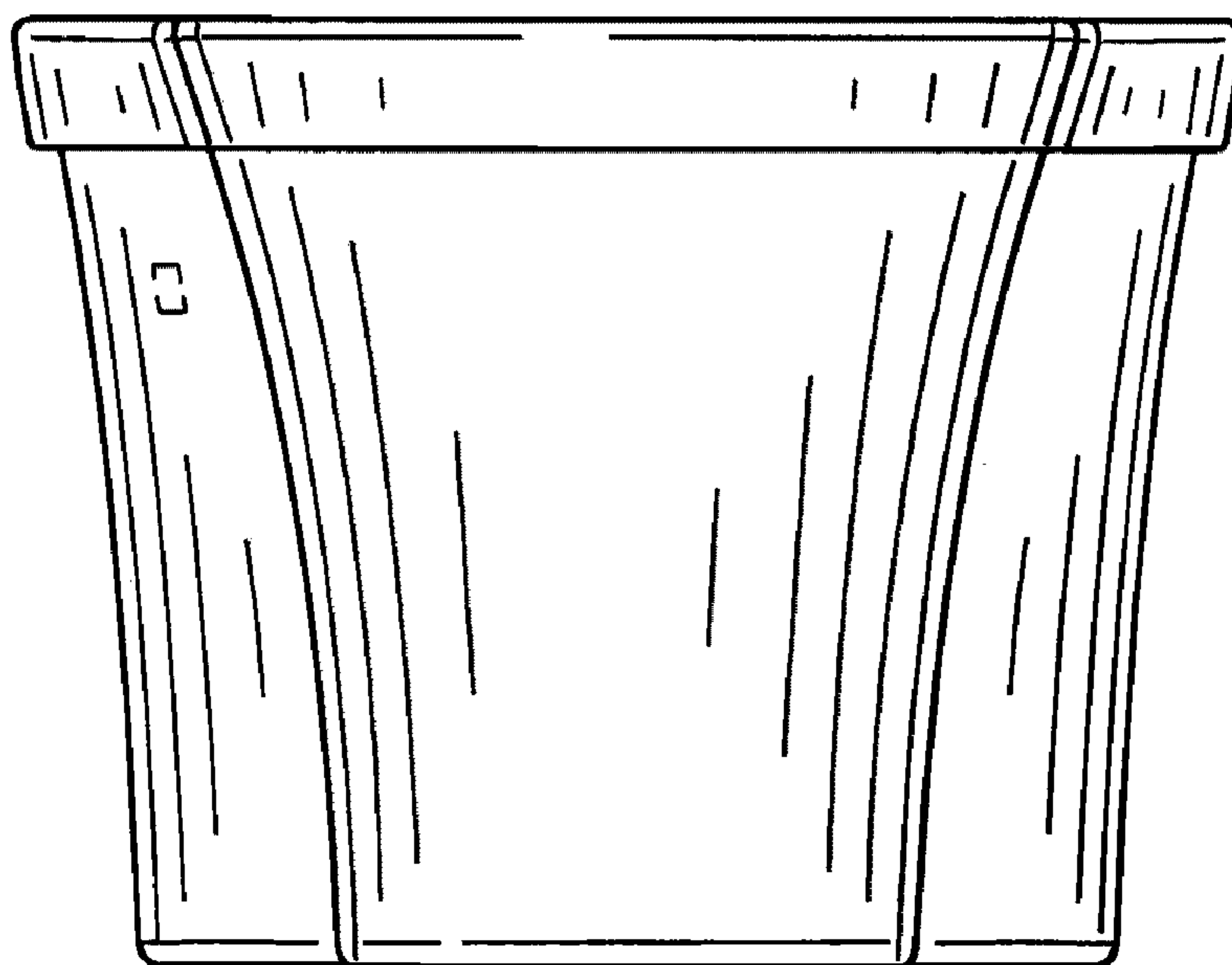


FIG. 3

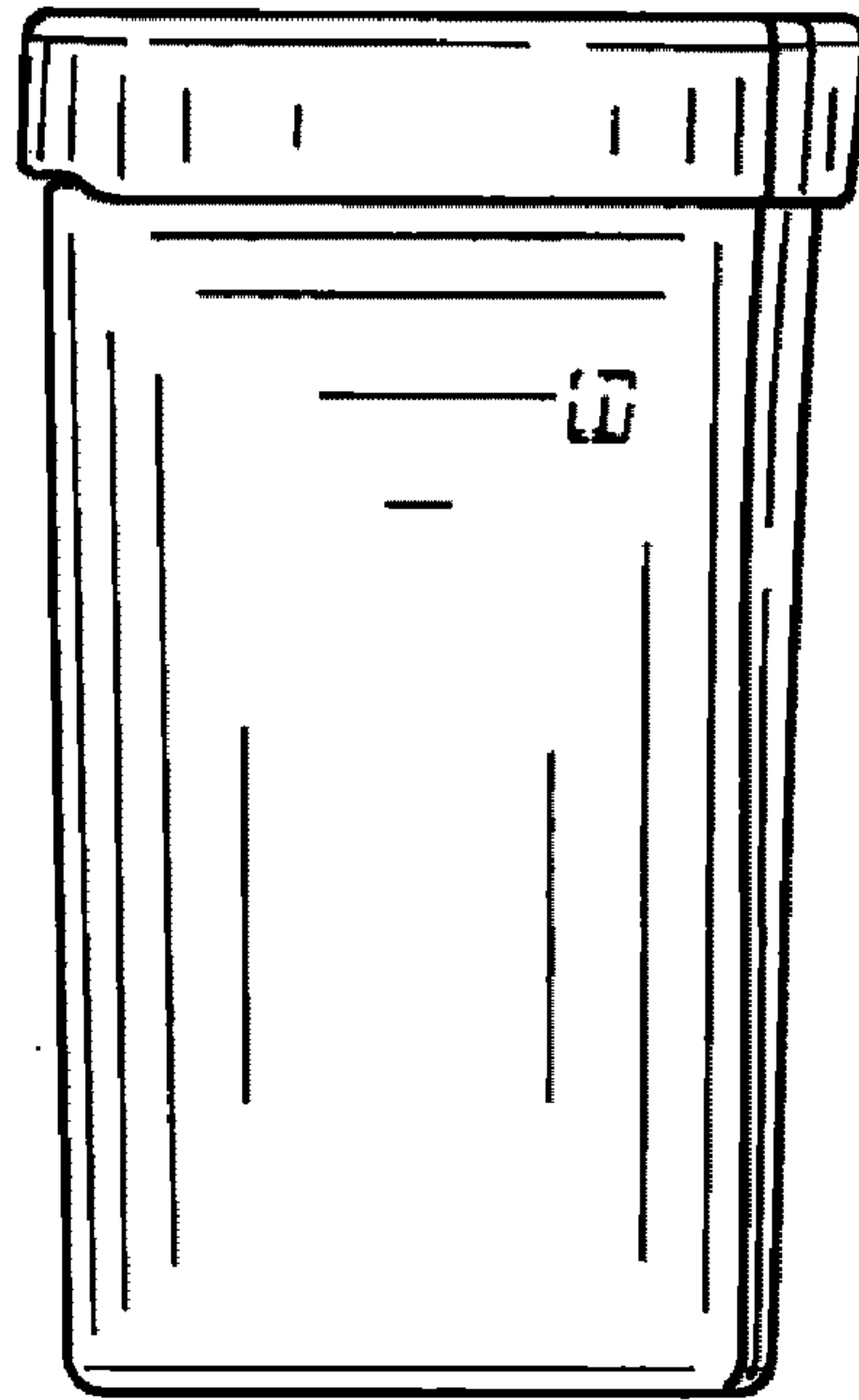


FIG. 4

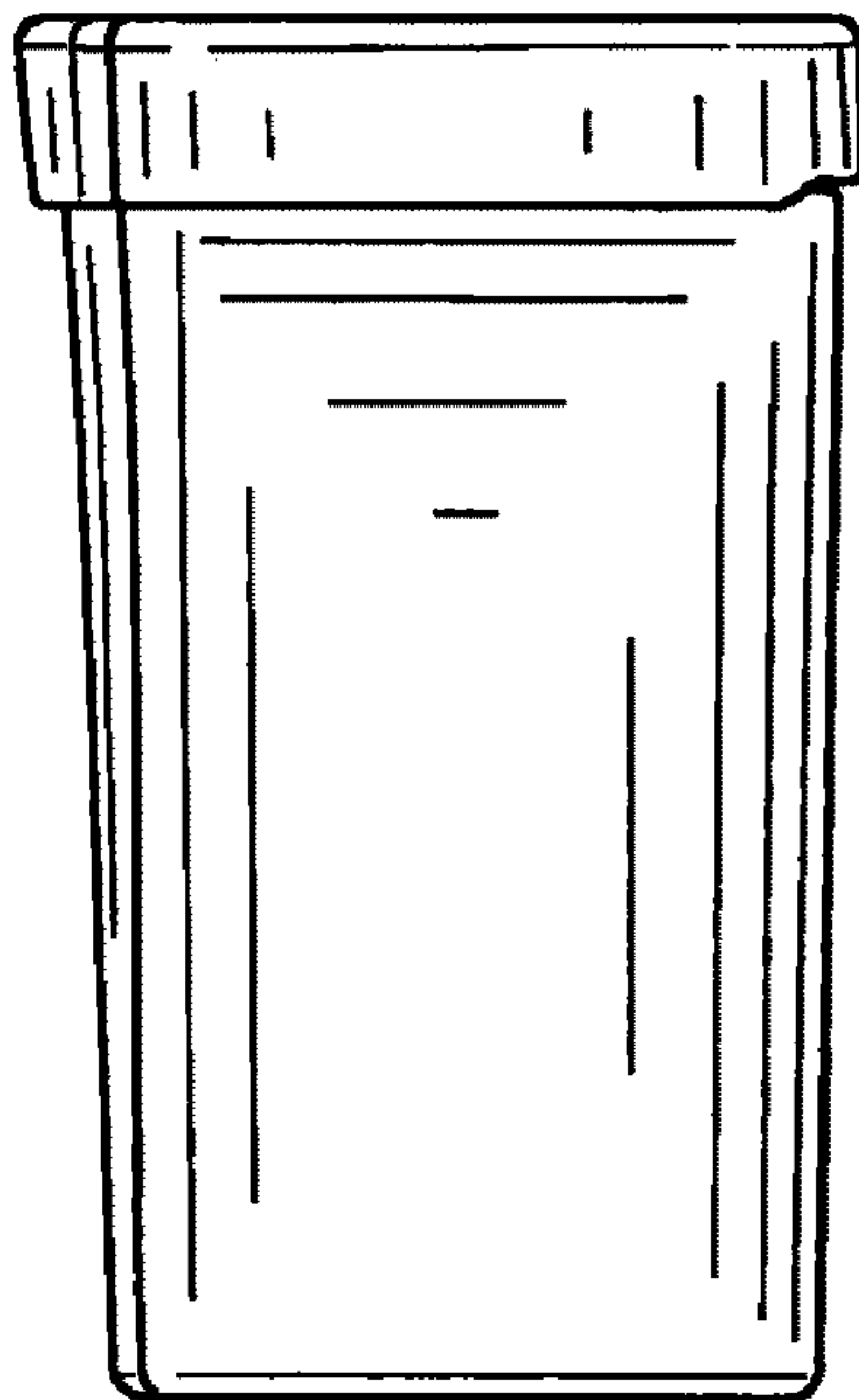


FIG. 5

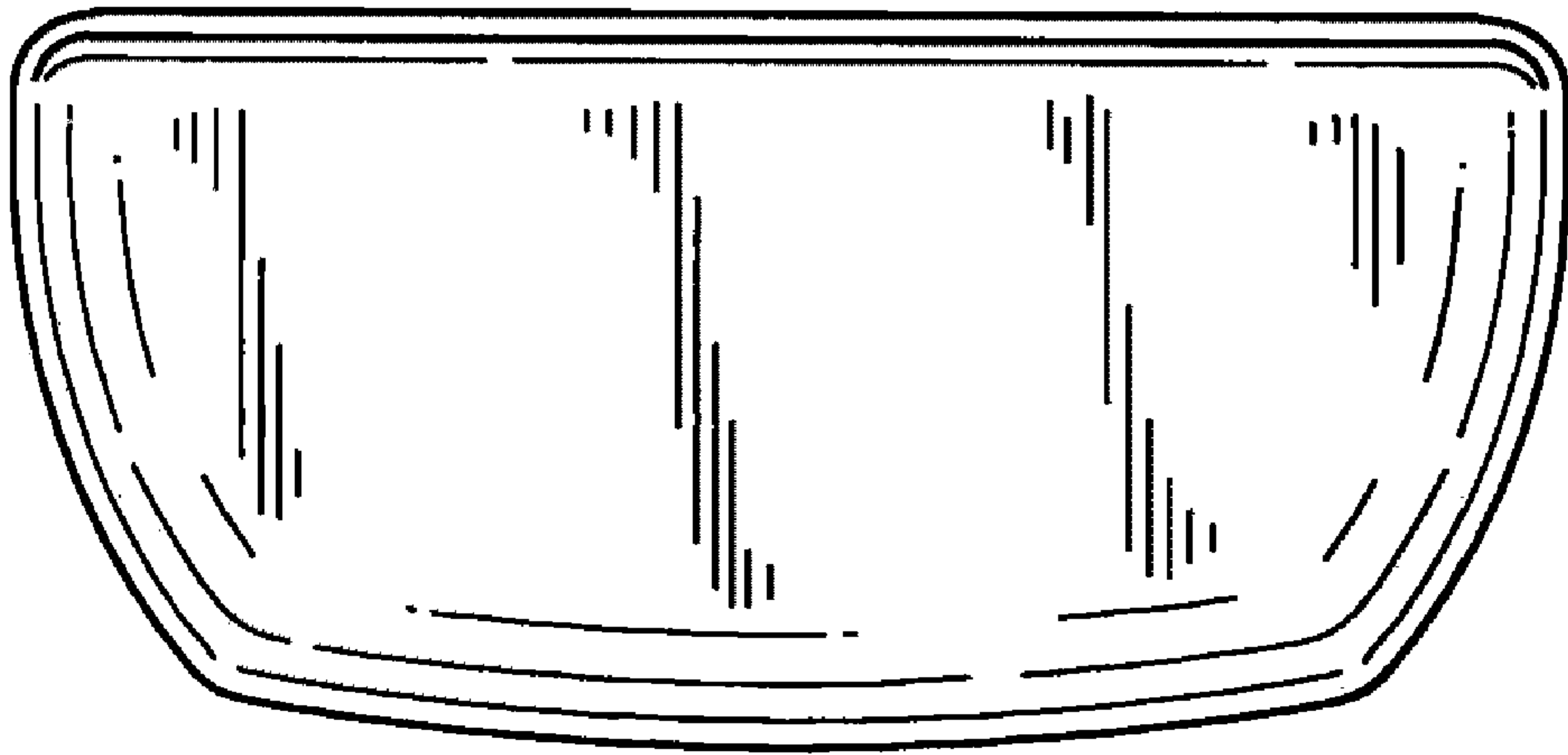
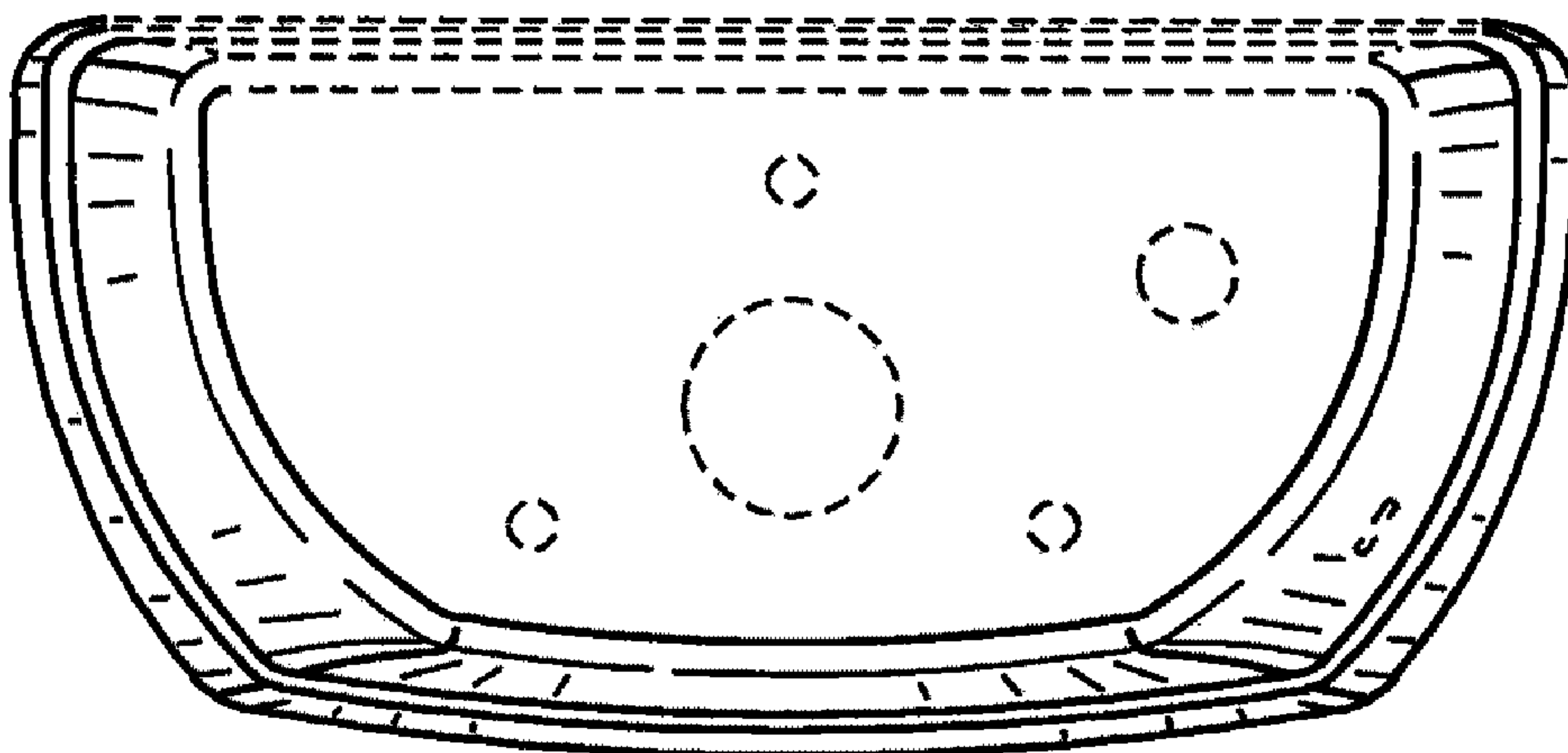


FIG. 6



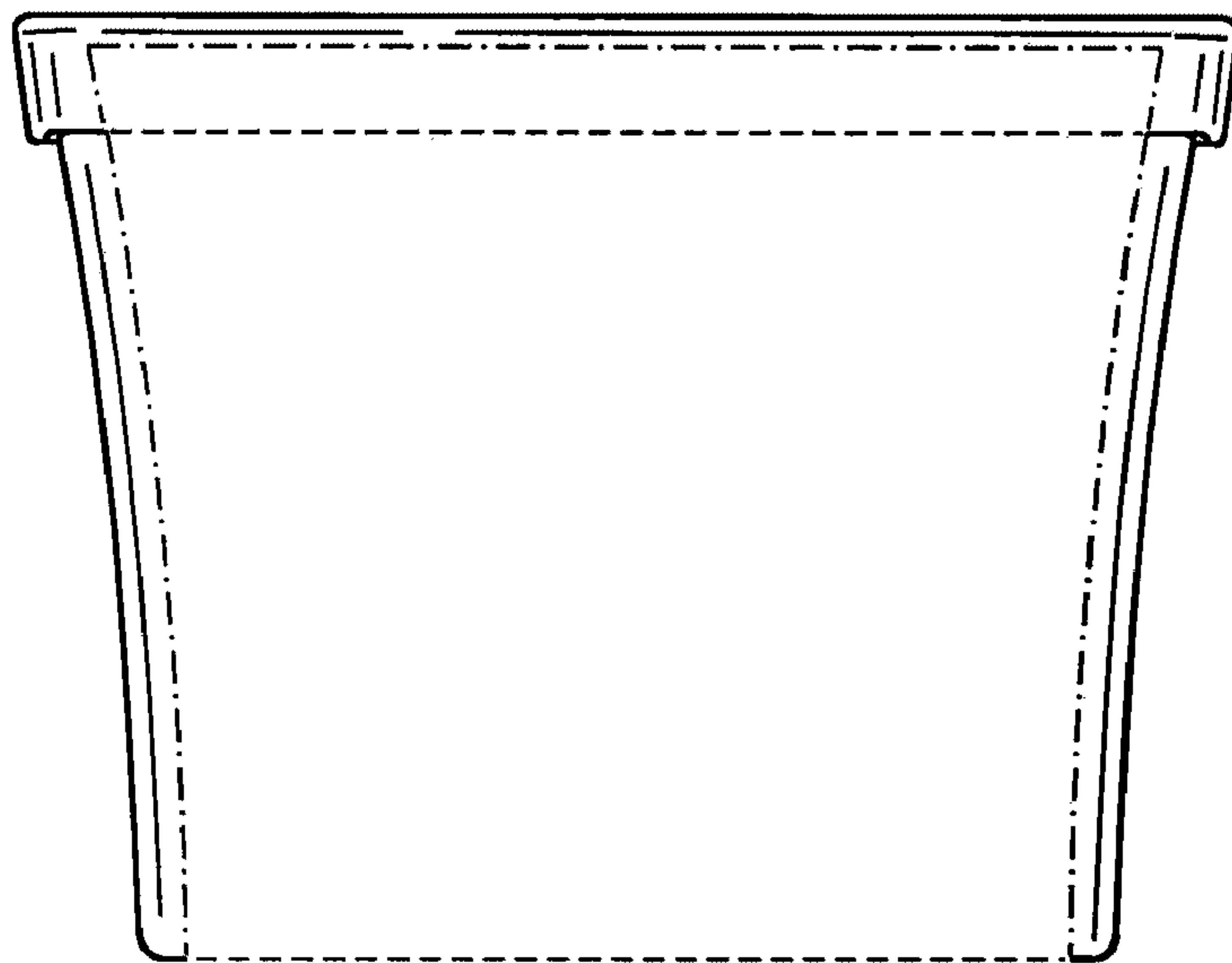


FIG. 7

FIG. 8

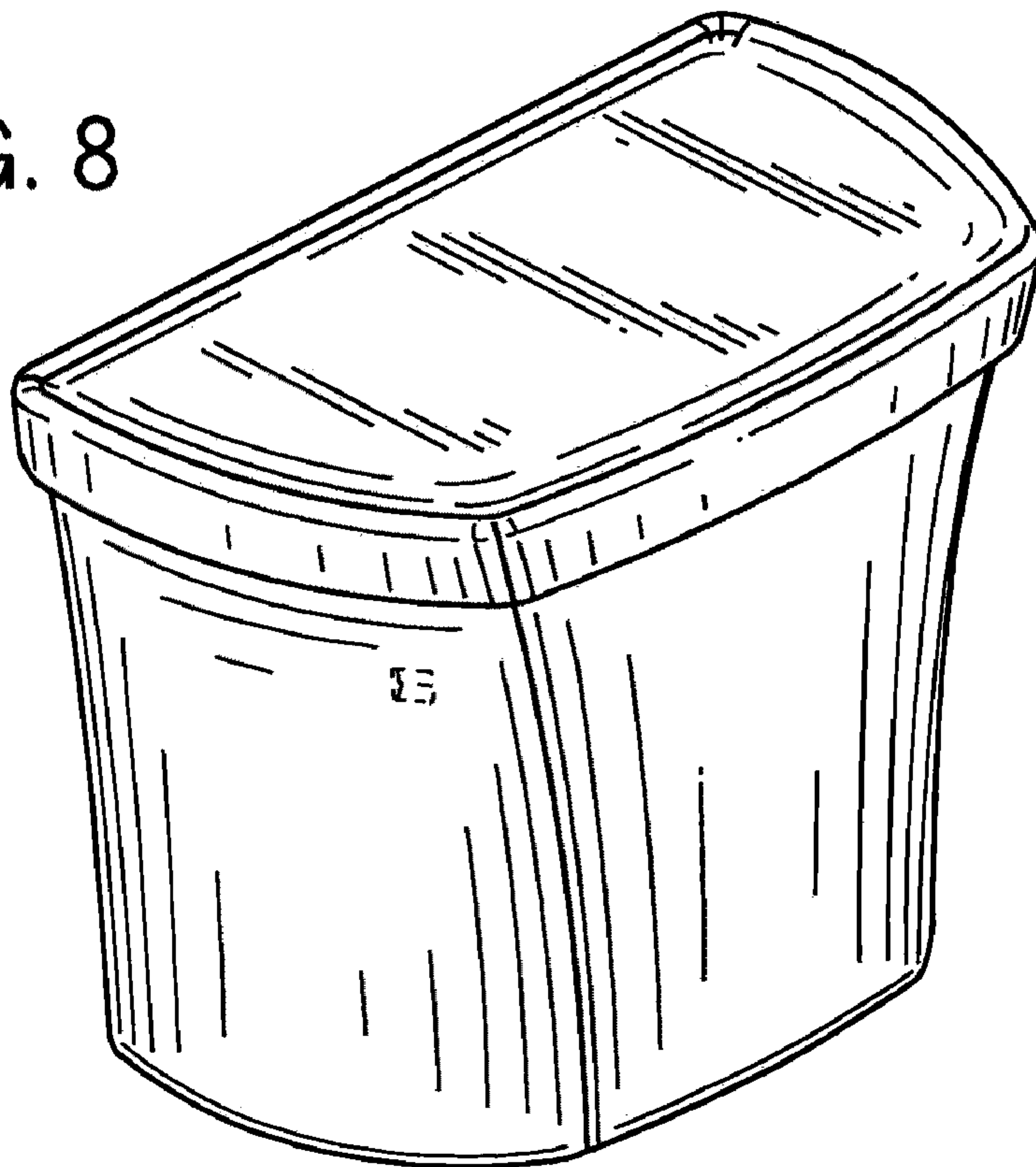


FIG. 9

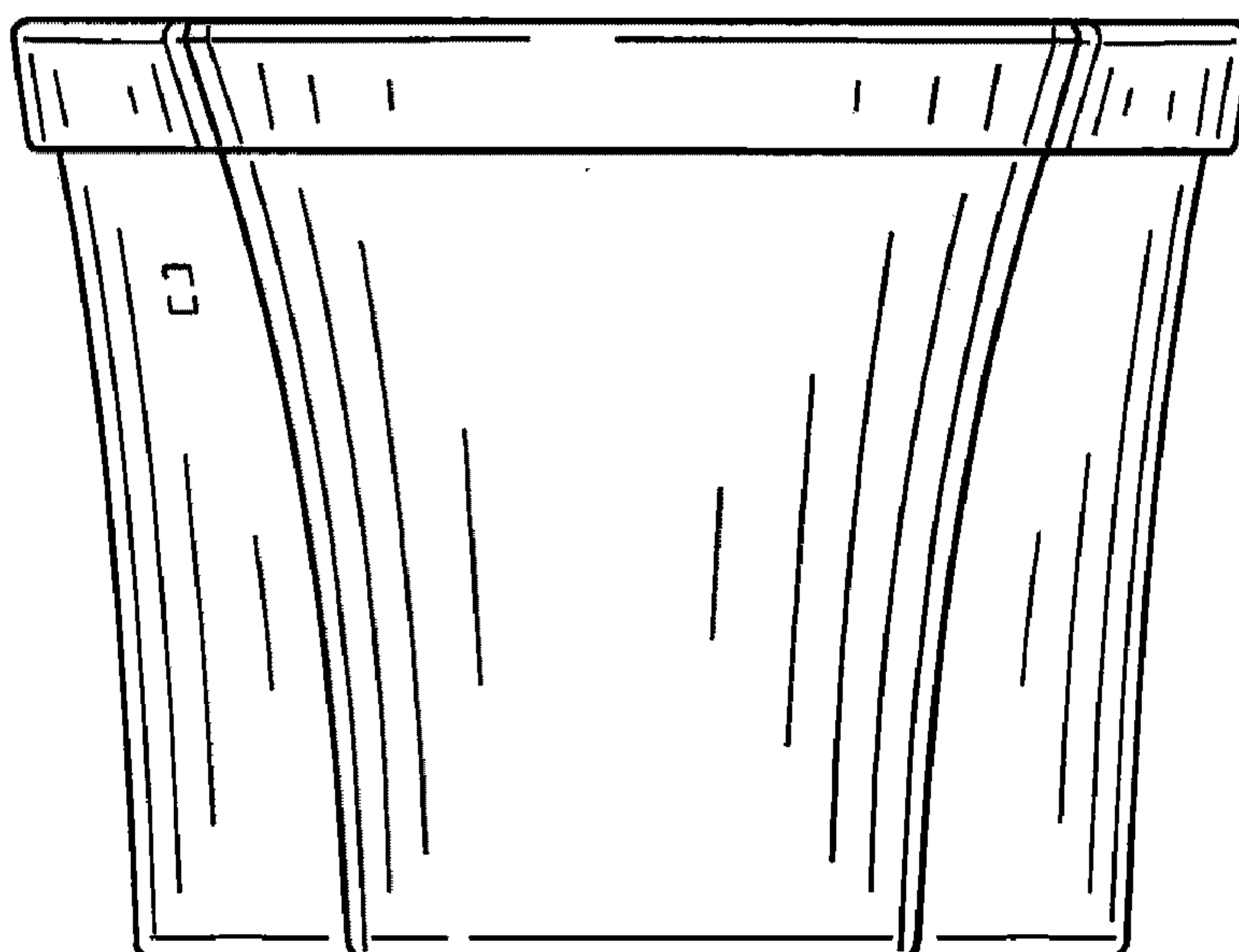


FIG. 10

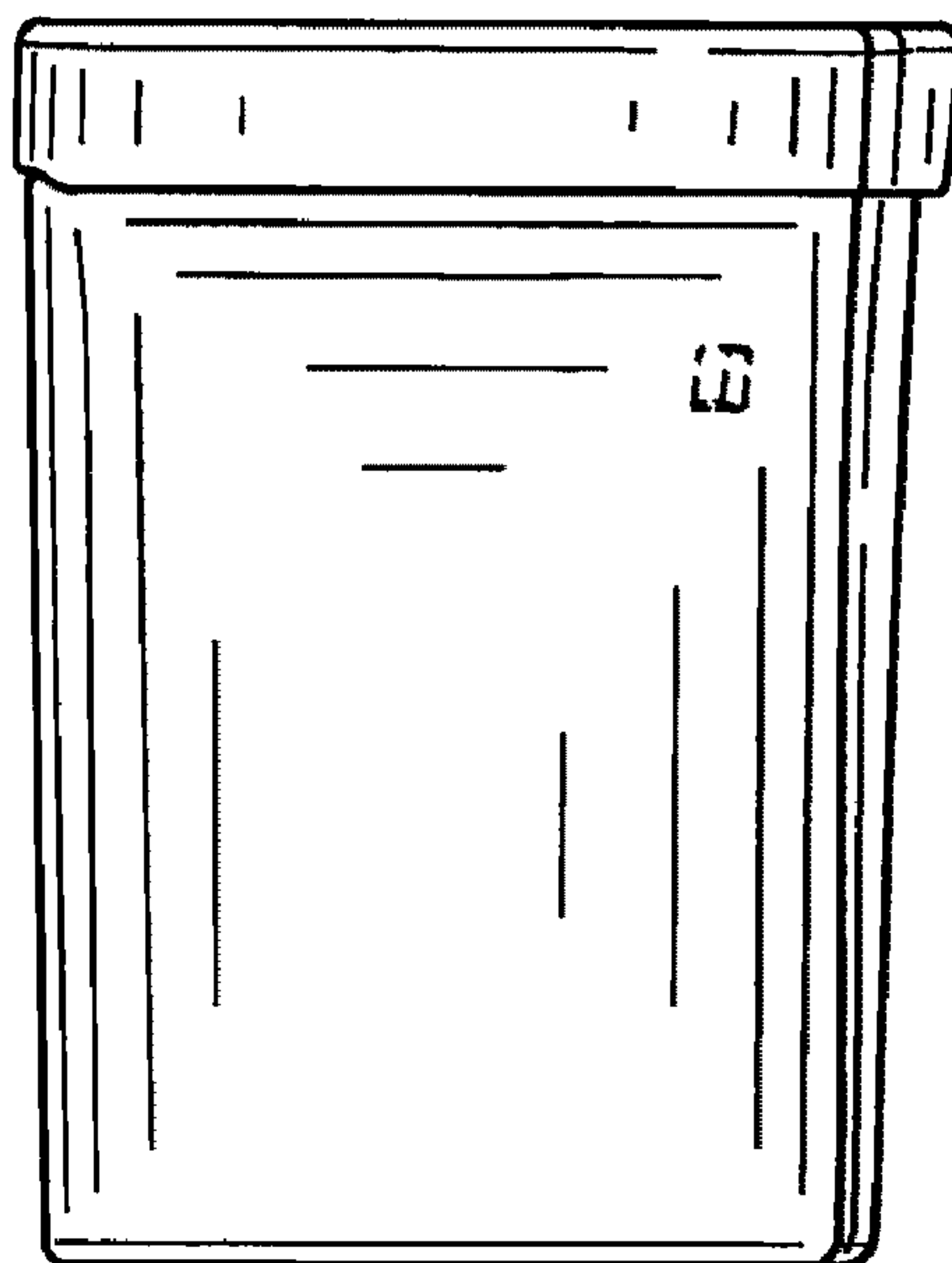
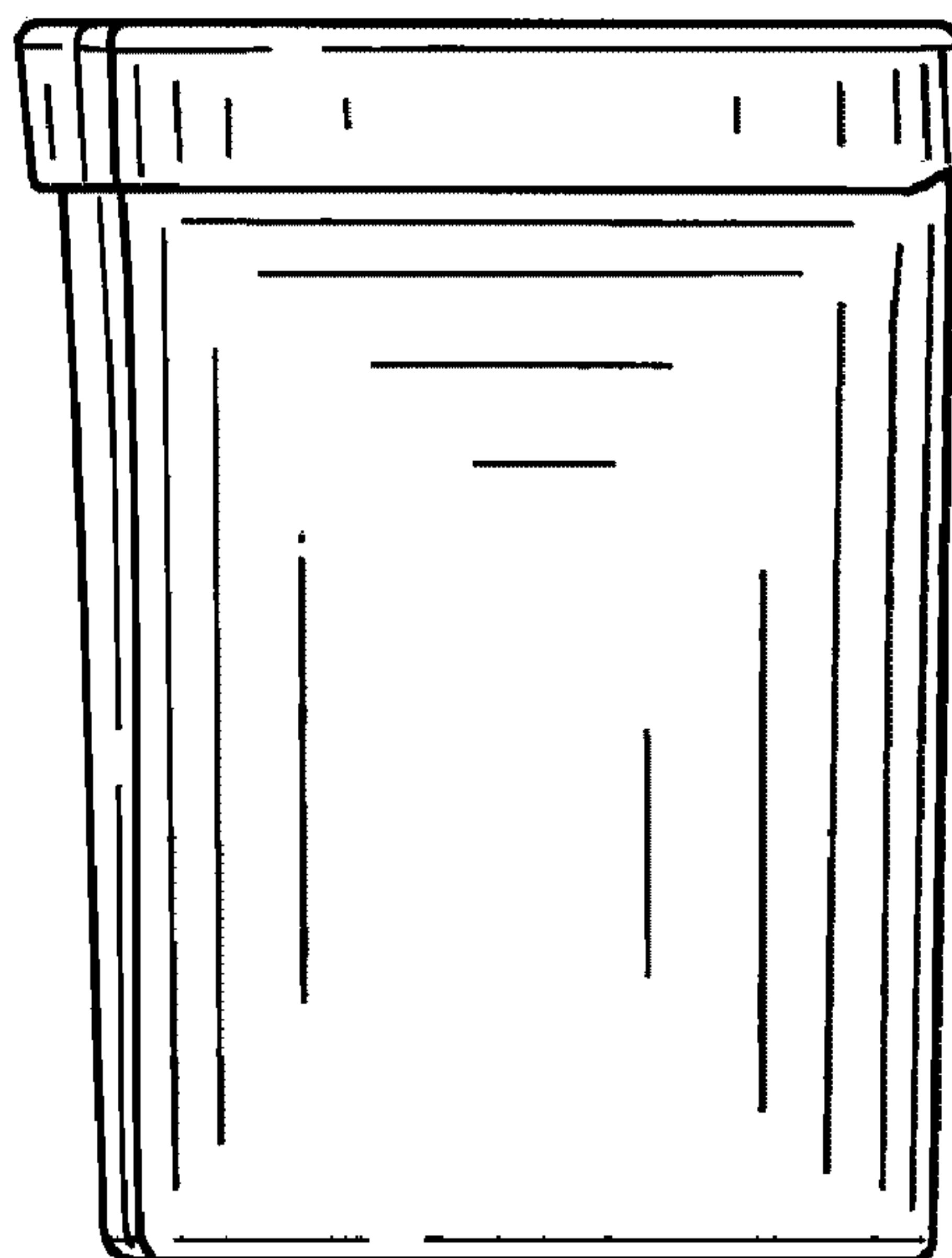


FIG. 11



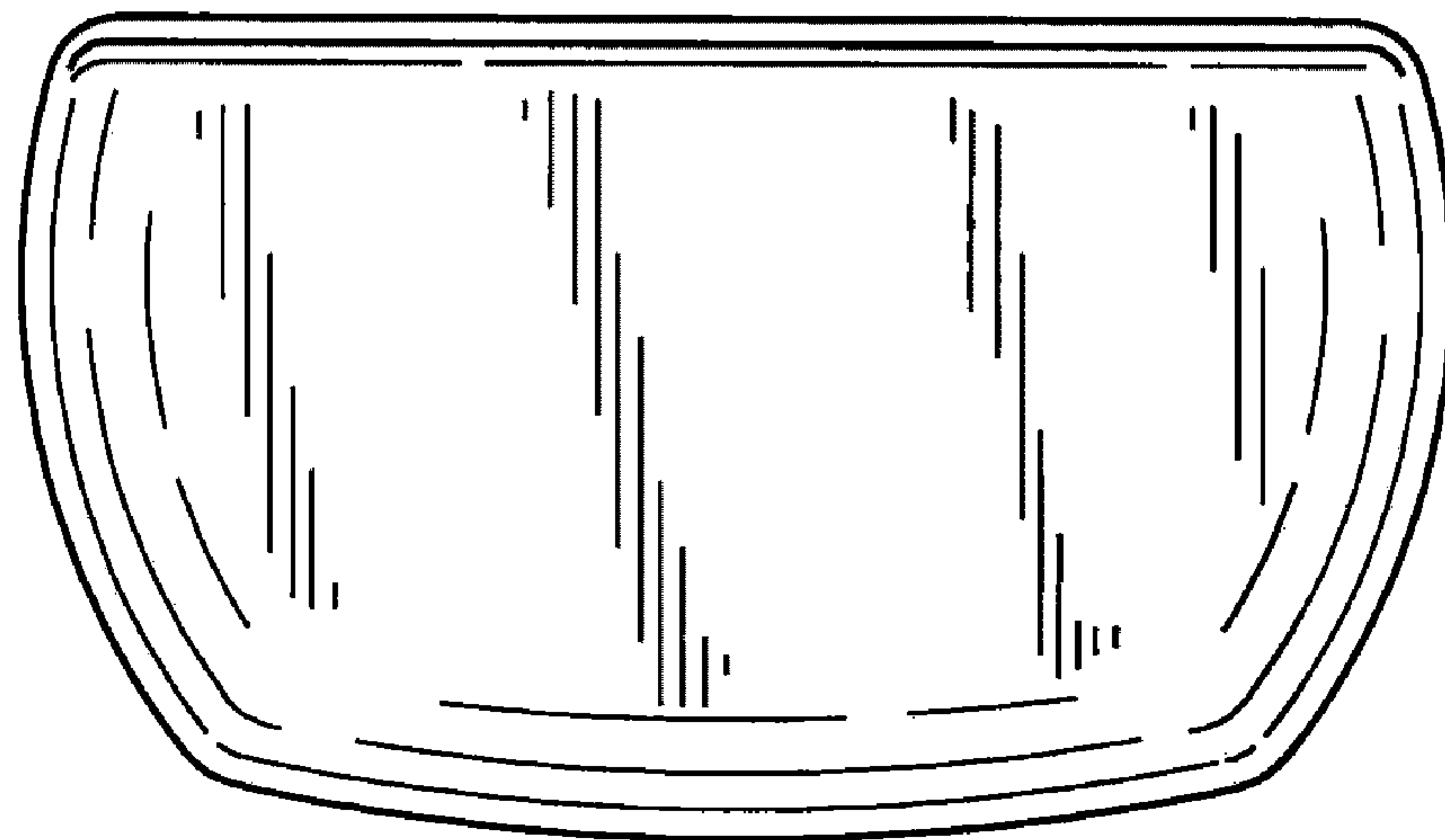


FIG. 12

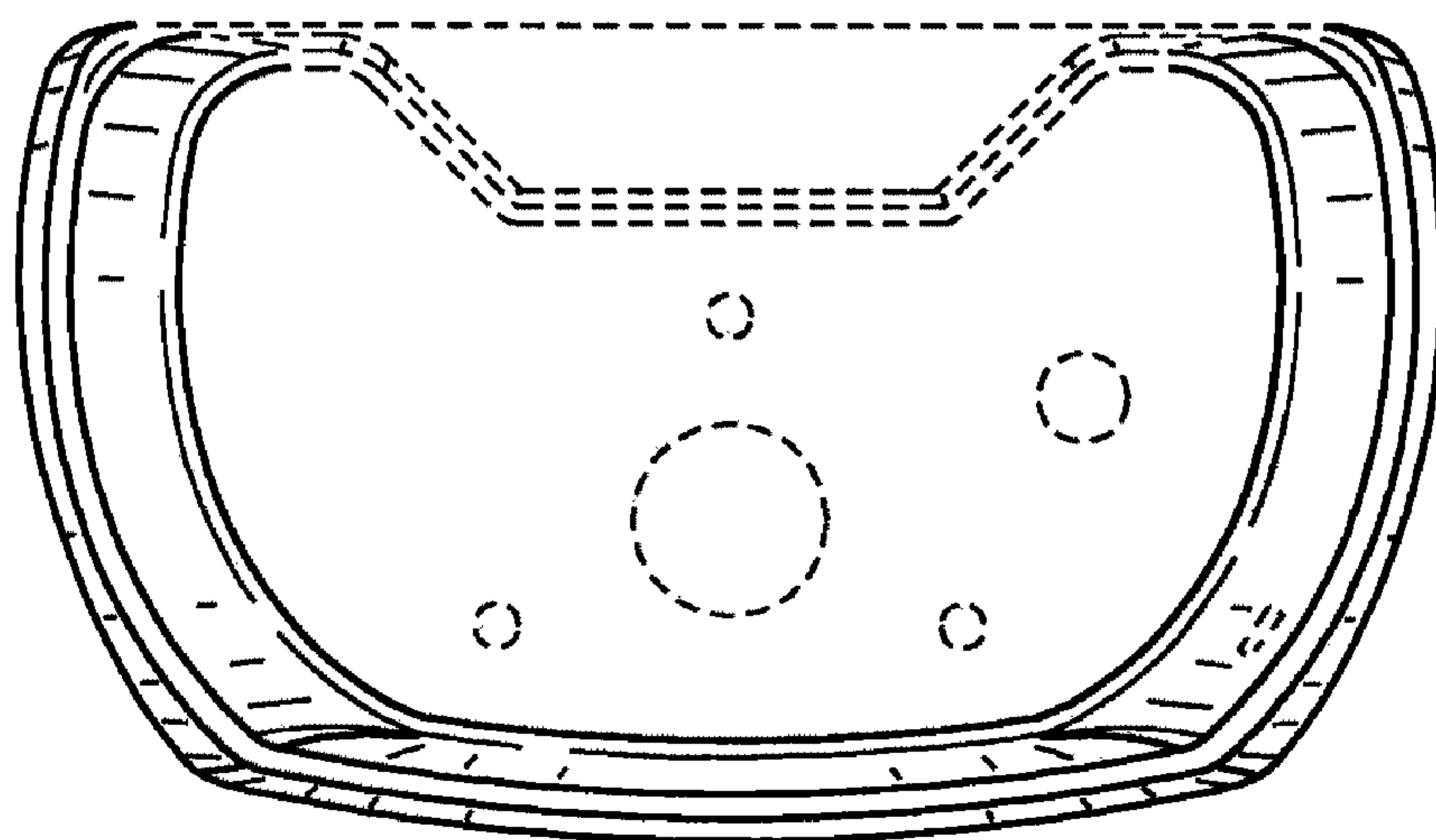


FIG. 13

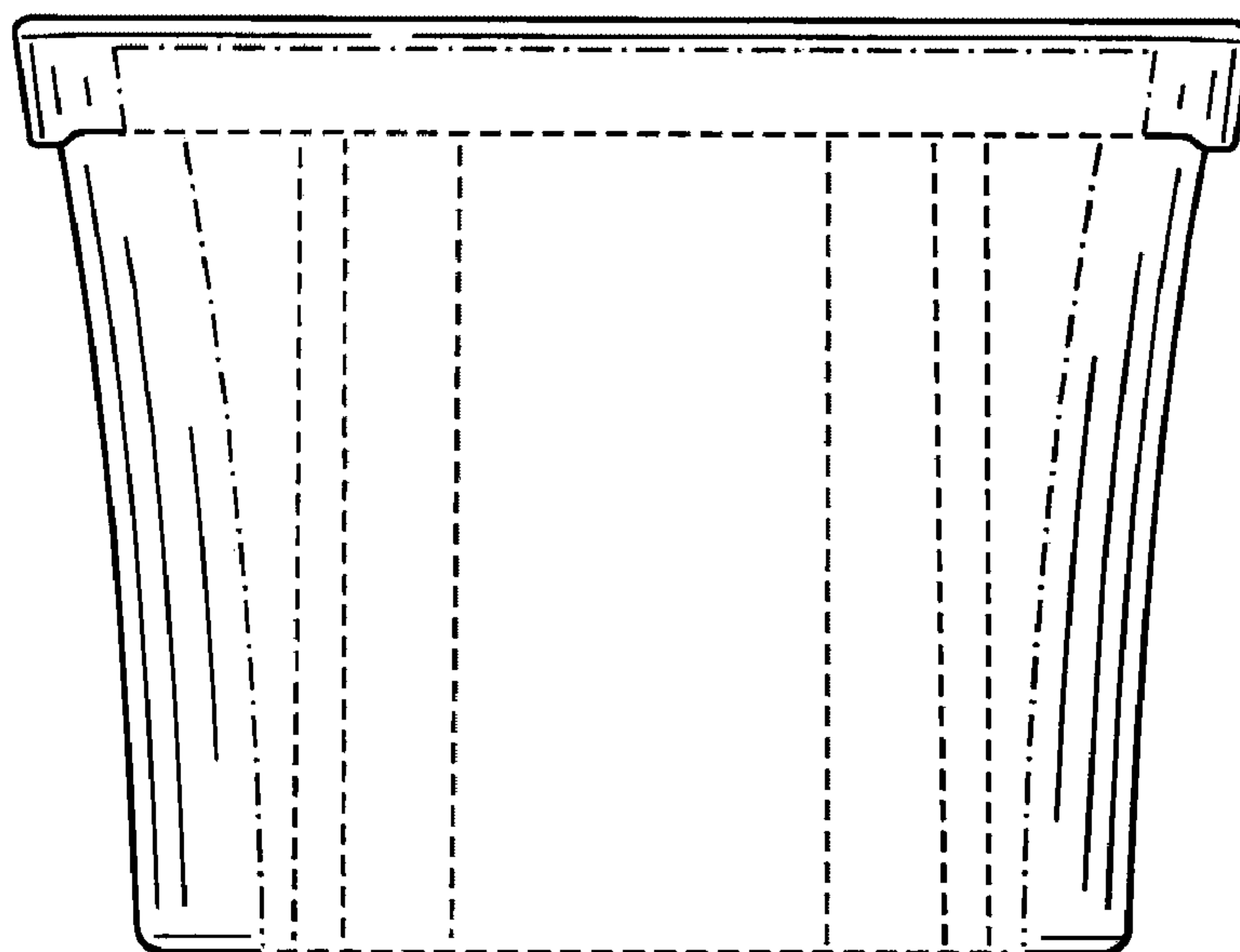


FIG. 14

UNITED STATES PATENT AND TRADEMARK OFFICE
CERTIFICATE OF CORRECTION

PATENT NO. : D641,459 S
APPLICATION NO. : 29/377697
DATED : July 12, 2011
INVENTOR(S) : Roque M. Corpuz, Jr. and Mary Reid

Page 1 of 10

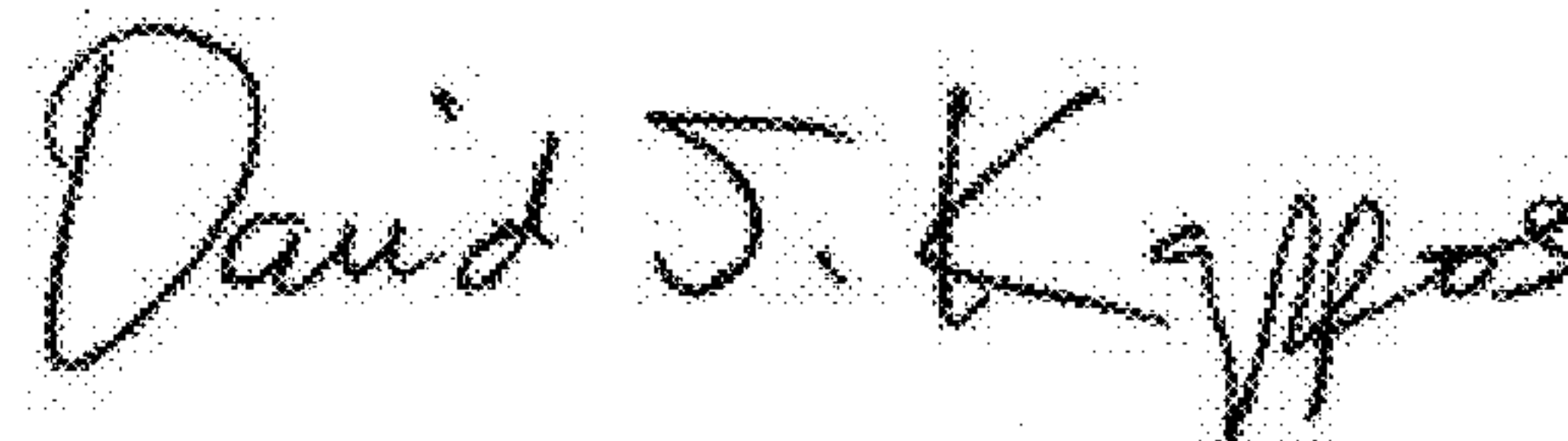
It is certified that error appears in the above-identified patent and that said Letters Patent is hereby corrected as shown below:

Title page should be deleted and substitute therefor the attached title page.

Drawings

Delete Figs 1-14 and substitute therefor Figs 1-14 as shown on the attached pages.

Signed and Sealed this
Twenty-seventh Day of September, 2011

A handwritten signature in black ink that reads "David J. Kappos". The signature is written in a cursive, slightly slanted style.

David J. Kappos
Director of the United States Patent and Trademark Office

(12) **United States Design Patent**
Corpuz, Jr. et al.

(10) **Patent No.:** **US D641,459 S**
(45) **Date of Patent:** **** Jul. 12, 2011**

(54) **PLUMBING FIXTURE**

(75) Inventors: **Roque M. Corpuz, Jr.**, Sheboygan, WI (US); **Mary Reid**, Sheboygan, WI (US)

(73) Assignee: **Kohler Co.**, Kohler, WI (US)

(**) Term: **14 Years**

(21) Appl. No.: **29/377,697**

(22) Filed: **Oct. 25, 2010**

(51) **LOC (9) Cl.** **23-02**

(52) **U.S. Cl.** **D23/313**

(58) **Field of Classification Search** D23/301,
D23/303, 309, 313; 4/353

See application file for complete search history.

(56) **References Cited**

U.S. PATENT DOCUMENTS

D410,998	S	6/1999	Jones	
D472,310	S	* 3/2003	Kawamura	D23/301
D472,619	S	4/2003	Kawamura	
D520,615	S	5/2006	Hou	
D521,131	S	* 5/2006	Hou	D23/313
D532,493	S	11/2006	Bucher	
D532,875	S	11/2006	Kaule	
D533,927	S	12/2006	Kakihana	
D578,620	S	* 10/2008	Zou et al.	D23/301
D578,625	S	10/2008	Ho	
D579,092	S	10/2008	Cummings	
D585,128	S	* 1/2009	Slothower et al.	D23/313
D601,233	S	9/2009	Kergoet	
D603,029	S	10/2009	Bucher	
D603,945	S	11/2009	Bucher	
D608,430	S	* 1/2010	Slothower et al.	D23/313
D616,077	S	5/2010	Lin et al.	
D621,011	S	8/2010	Bucher	
D621,488	S	8/2010	Bucher	
D624,165	S	9/2010	Yokoyama et al.	
D624,997	S	10/2010	Schonherr et al.	

OTHER PUBLICATIONS

Kohler Co. "Wellworth Pressure-Lite Toilet". Model No. K-3505.
Kohler Catalog.

Kohler Co. "Leighton Comfort-Height Toilet". Model No. K-3651.
Kohler.com online catalog. Copyright 2009 Kohler Co.
Kohler Co. "Kelston Comfort Height Toilet". Model No. K-3755.
Kohler Catalog.
Niagra Conservation. "Stealth" Toilet. StealthToilets.com online
catalog.
American Standard. "Tropic" Toilet.
American Standard. "Evolution 2" Toilet.

(Continued)

Primary Examiner — Robert Delehanty

(74) Attorney, Agent, or Firm — Quarles & Brady LLP

(57) **CLAIM**

The ornamental design for a plumbing fixture, as shown and described.

DESCRIPTION

FIG. 1 is a left, top, front perspective view of a plumbing fixture embodying our new design
FIG. 2 is a front elevational view thereof;
FIG. 3 is a lee side elevational view thereof;
FIG. 4 is a right side elevational view thereof;
FIG. 5 is a top plan view thereof;
FIG. 6 is a bottom plan view thereof;
FIG. 7 is a rear elevational view thereof;
FIG. 8 is a left, top, front perspective view of a plumbing fixture according to another embodiment of our new design;
FIG. 9 is a front elevational view thereof;
FIG. 10 is a left side elevational view thereof;
FIG. 11 is a right side elevational view thereof;
FIG. 12 is a top plan view thereof;
FIG. 13 is a bottom plan view thereof; and,
FIG. 14 is a rear elevational view thereof.
The dash-dash broken line representations in the figures are for the purpose of illustrating unclaimed environment of the claimed design. The dot-dash-dot broken line representations define unclaimed boundaries of the claimed design.
In a preferred embodiment, the nature of this product is as a plumbing fixture in the form of a tank and/or lid component for a water closet.

1 Claim, 8 Drawing Sheets

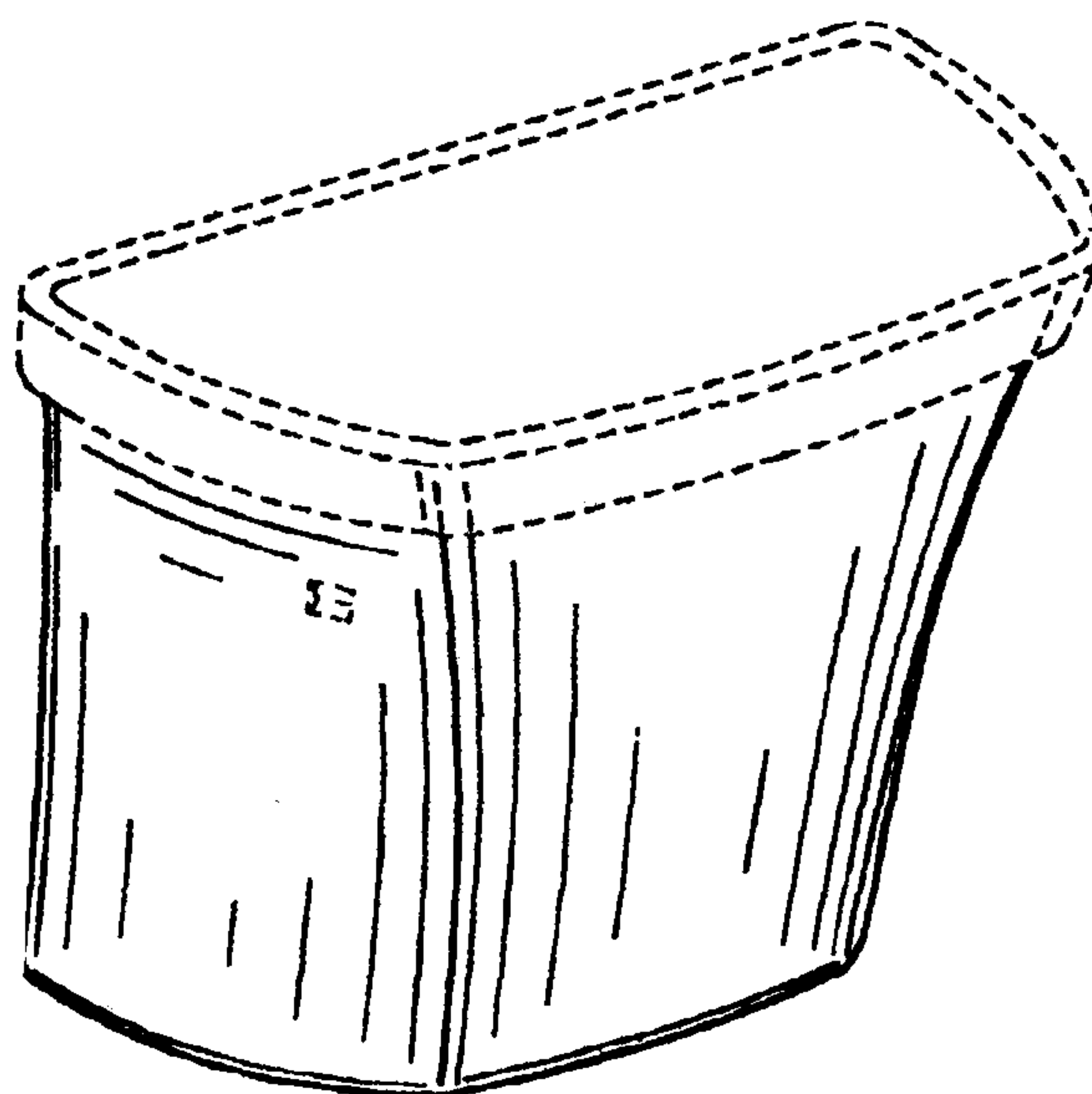


FIG. 1

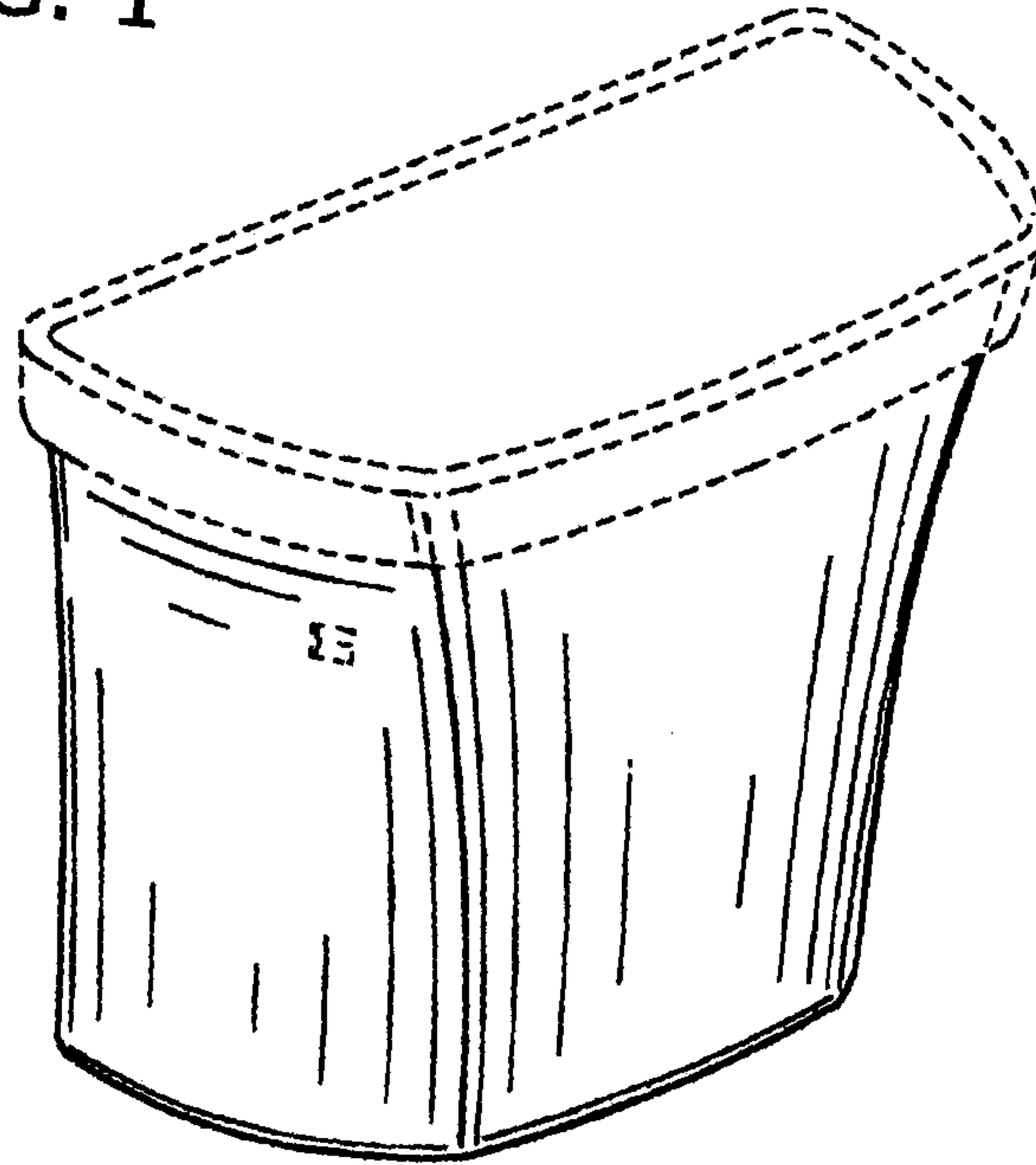


FIG. 2

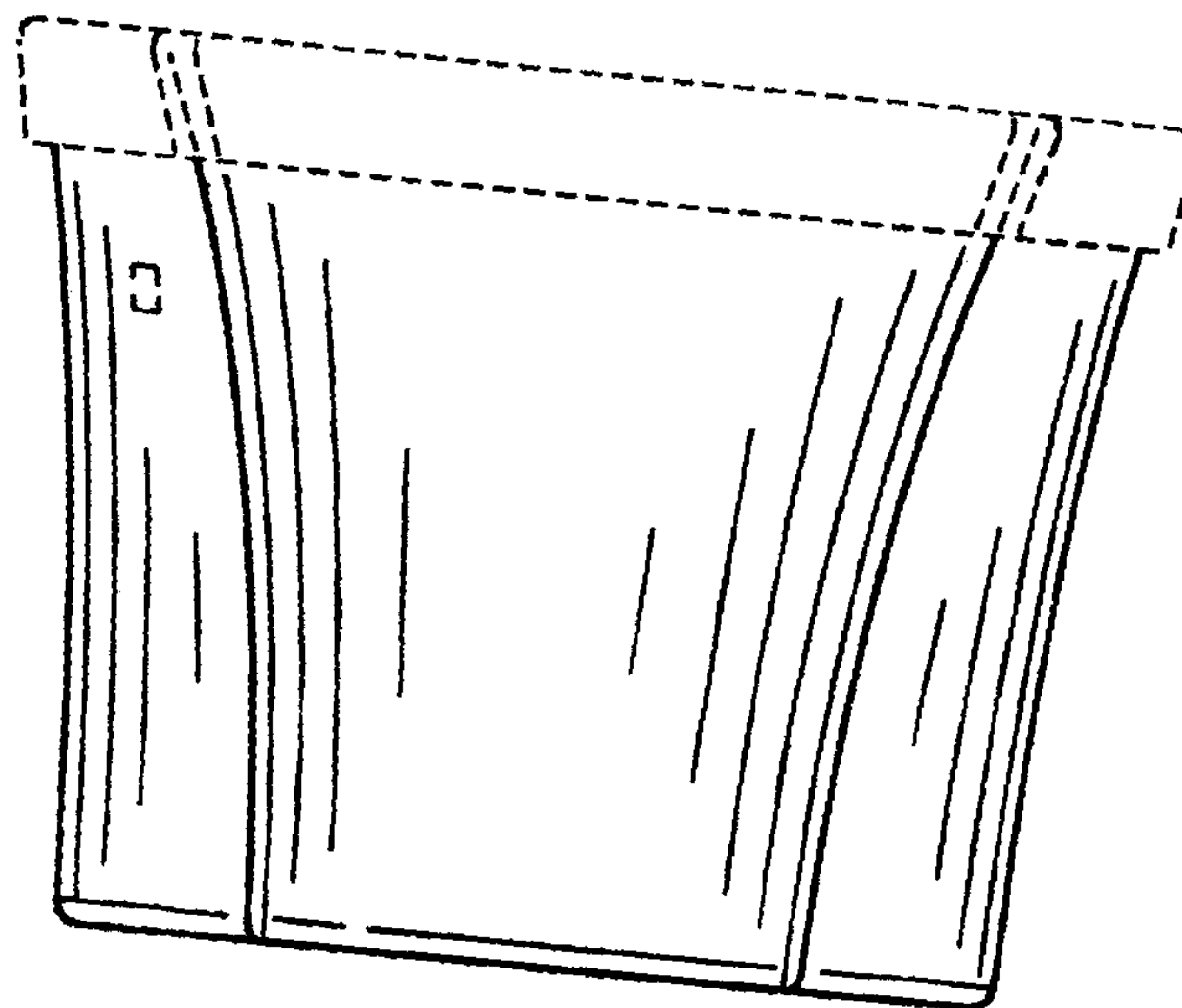


FIG. 3

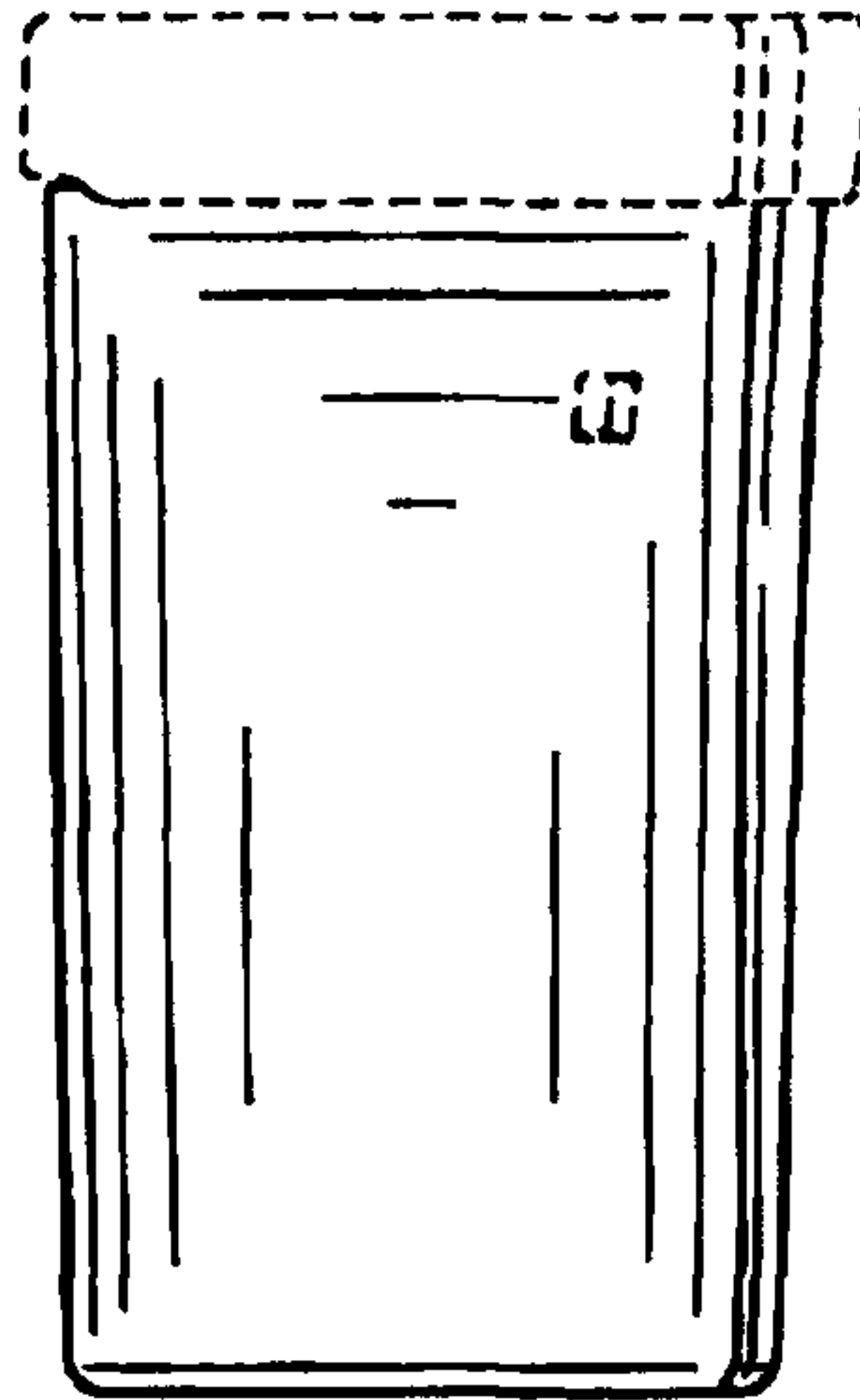
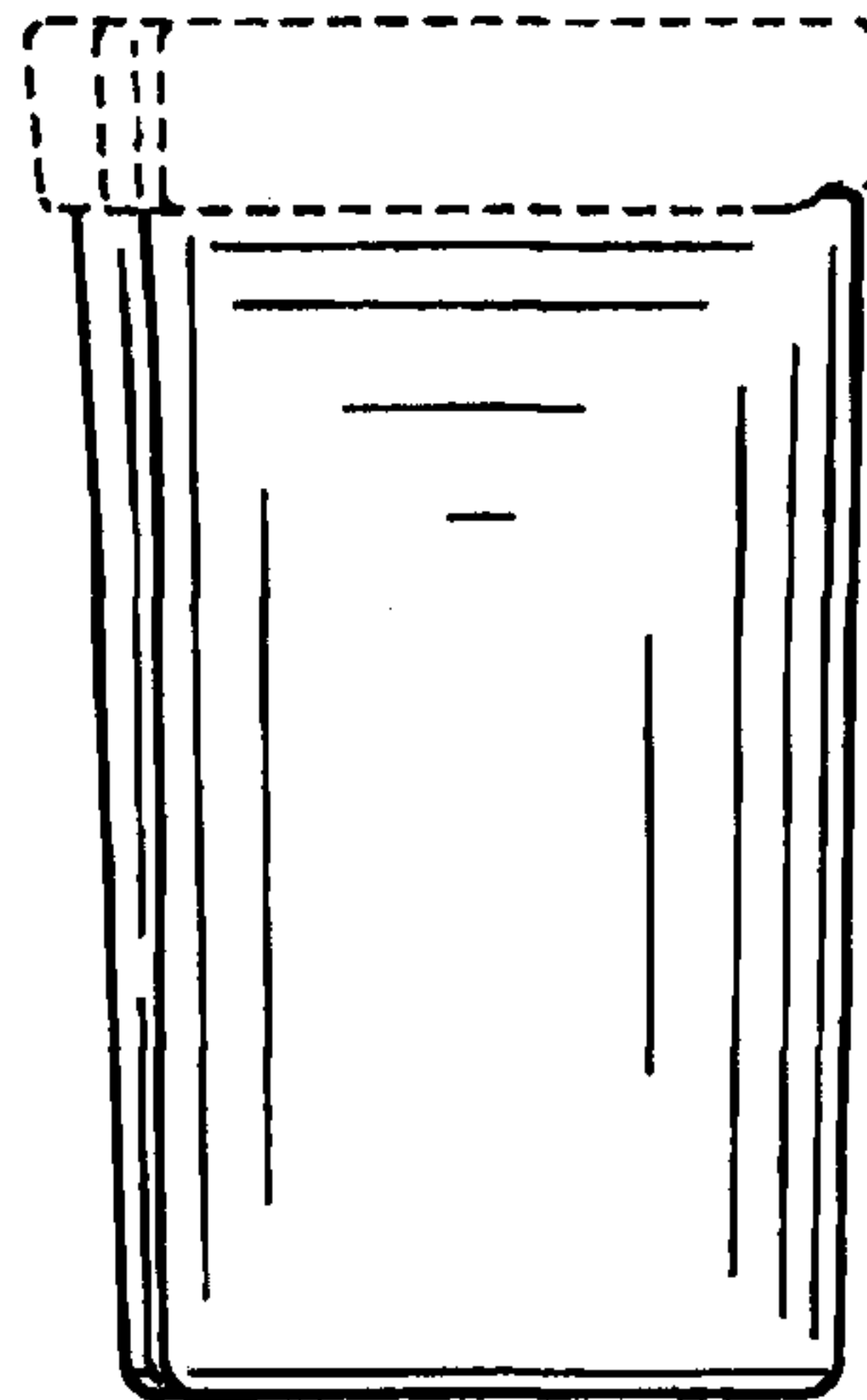


FIG. 4



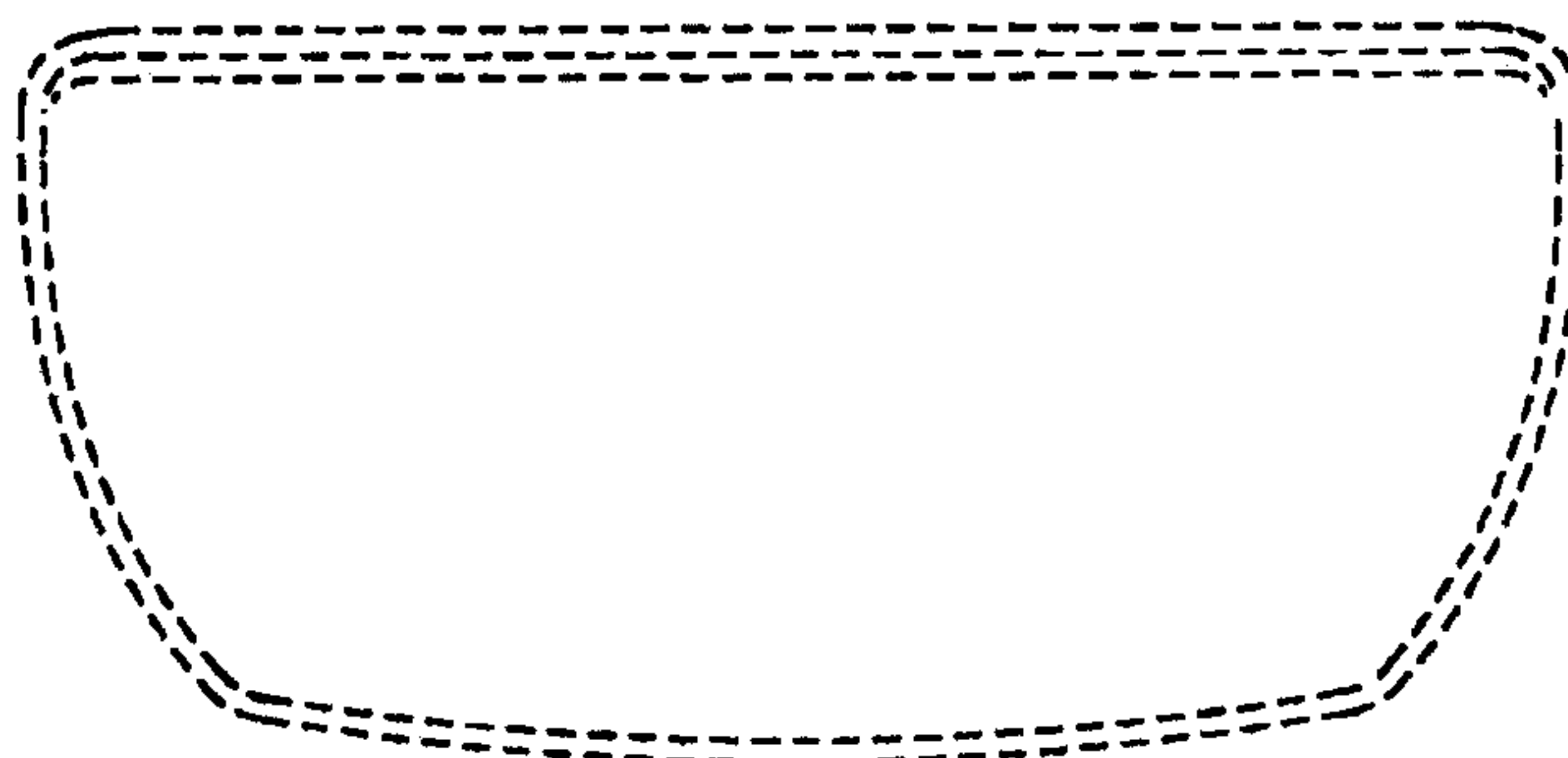


FIG. 5

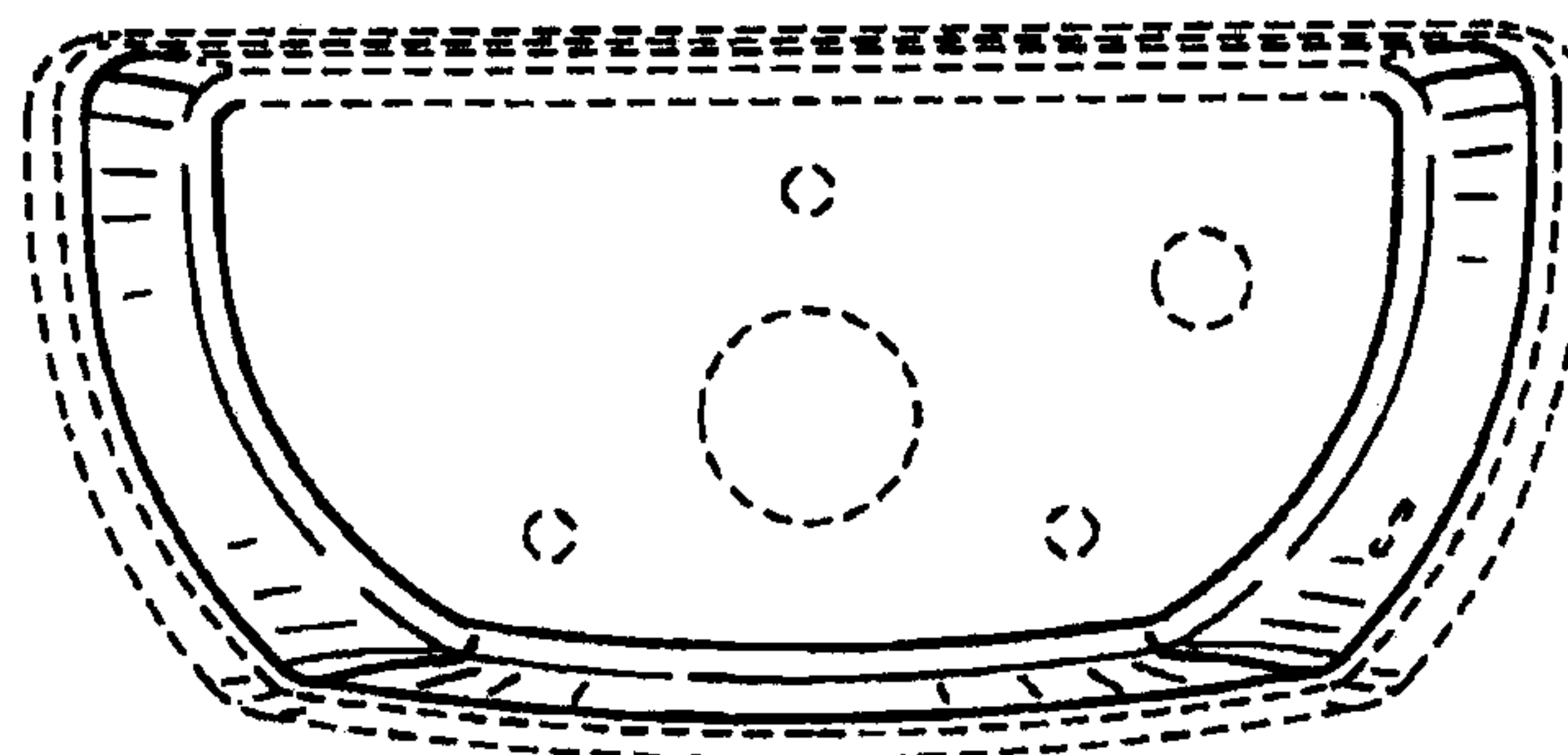


FIG. 6

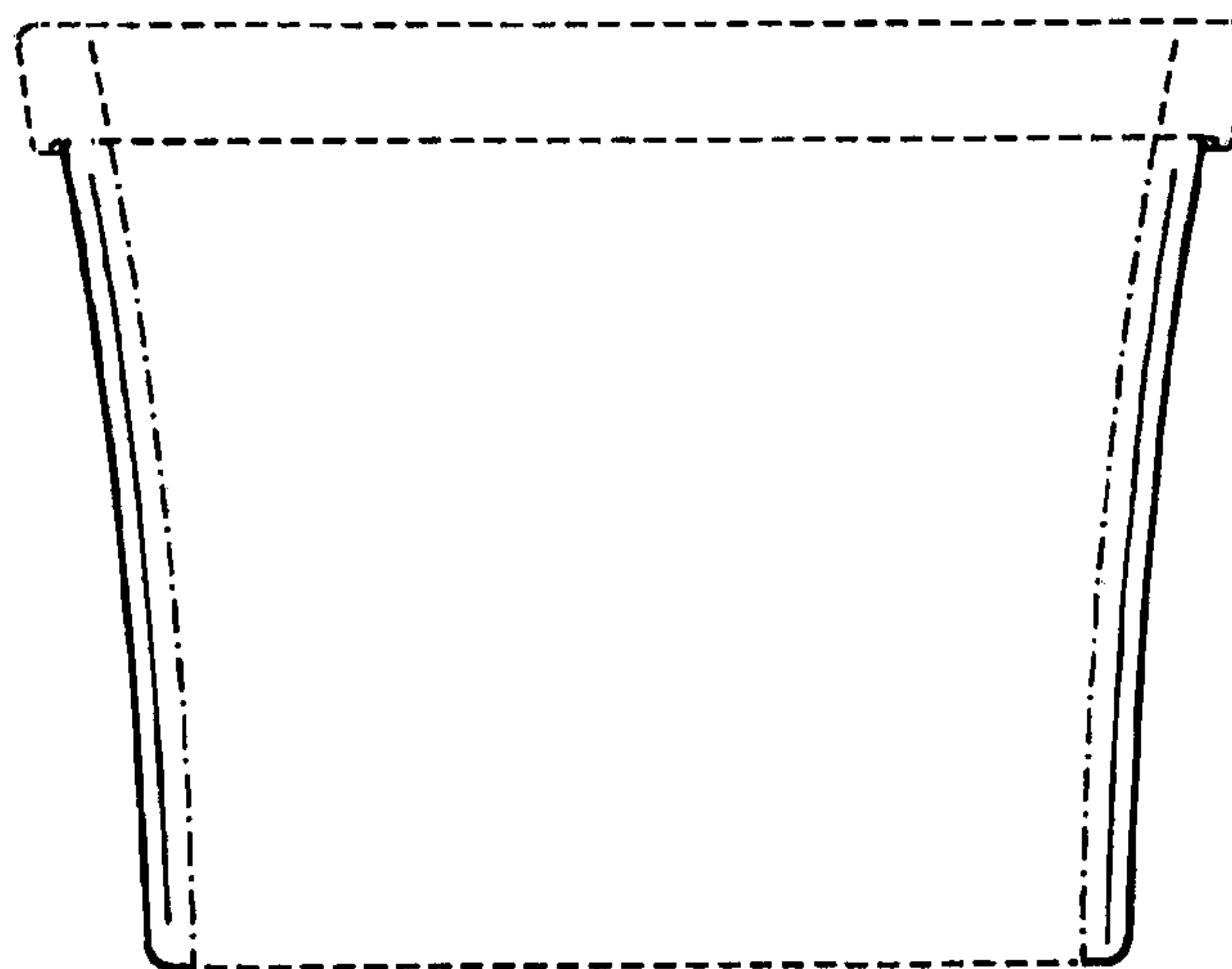


FIG. 7

FIG. 8

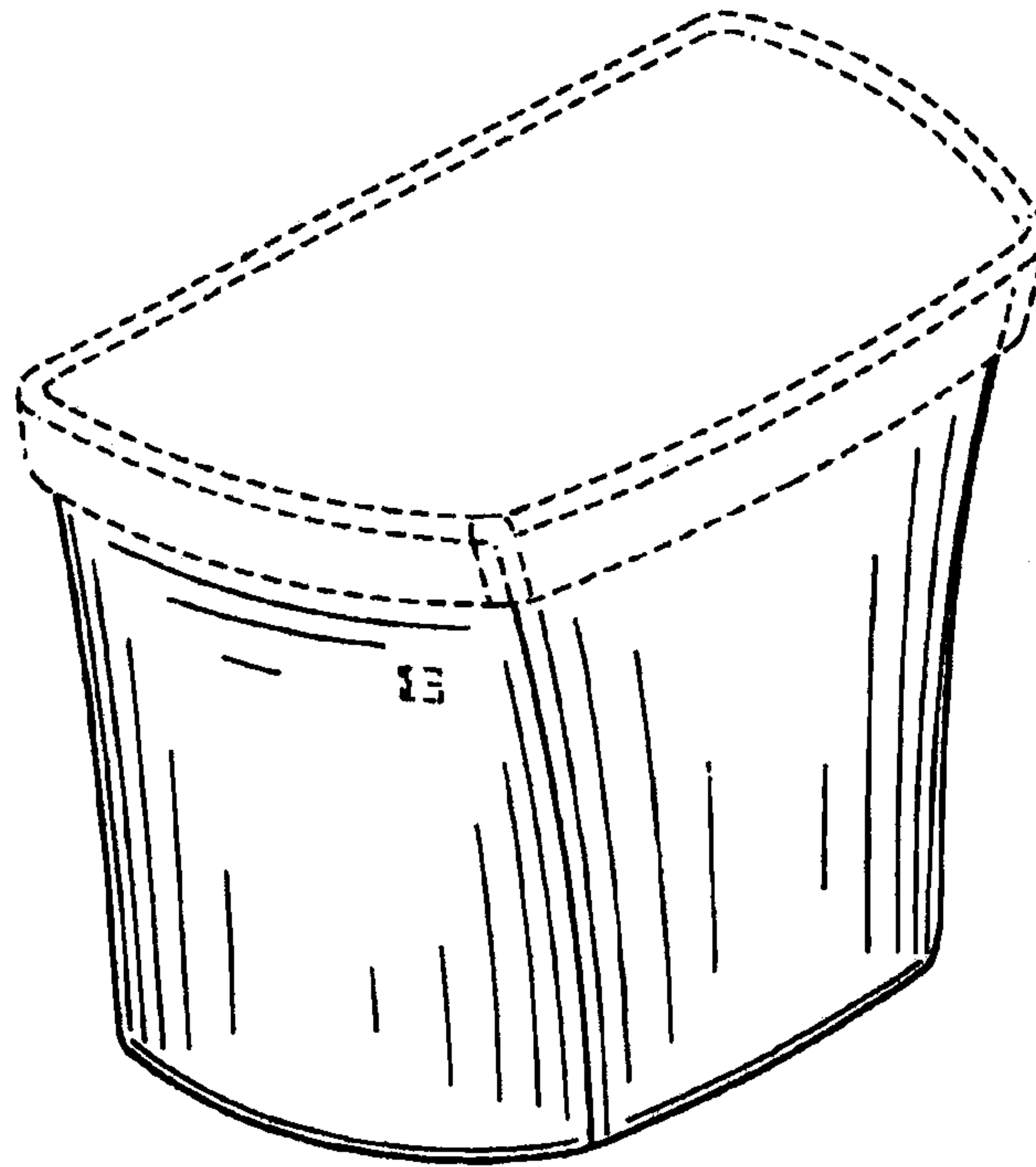


FIG. 9

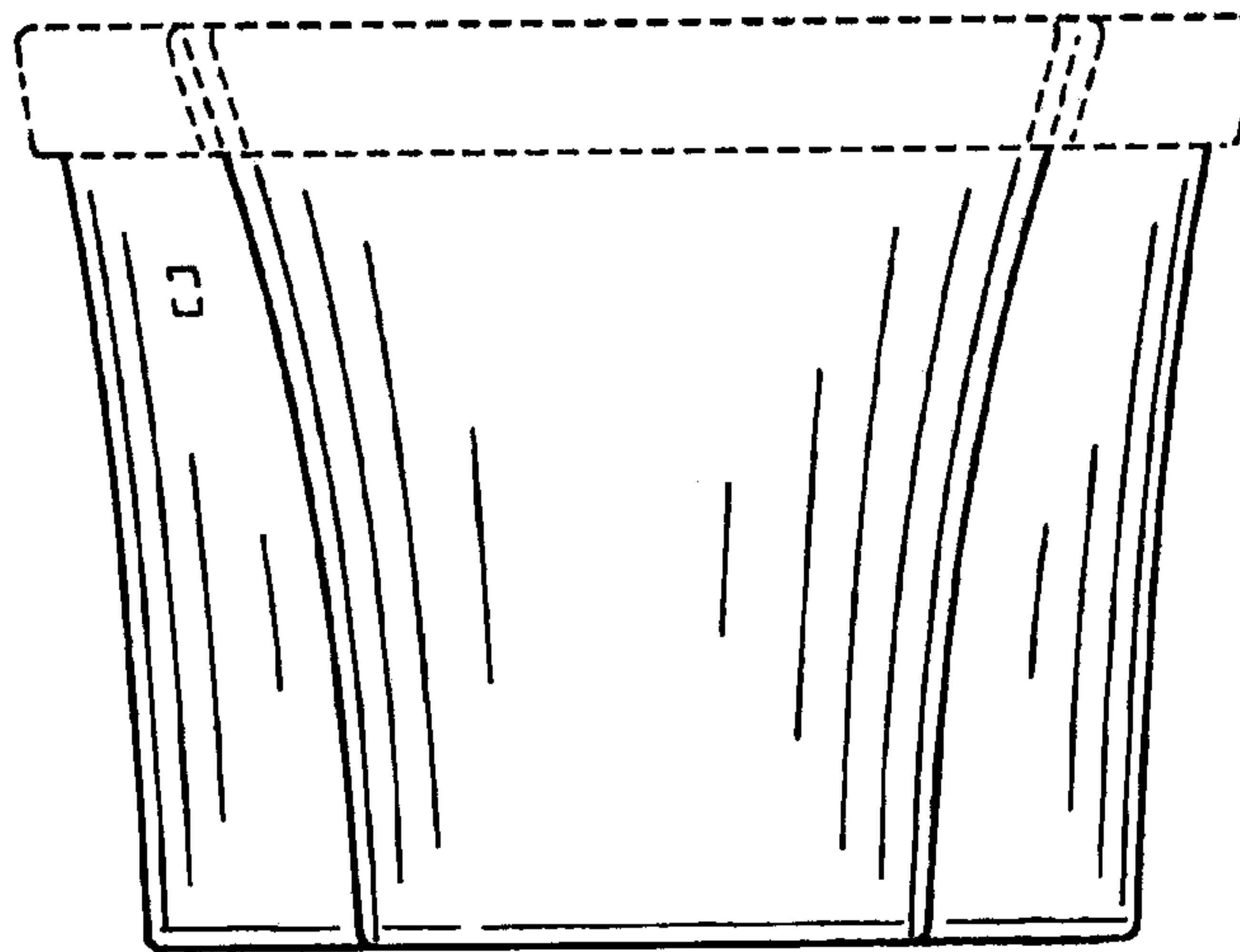


FIG. 10

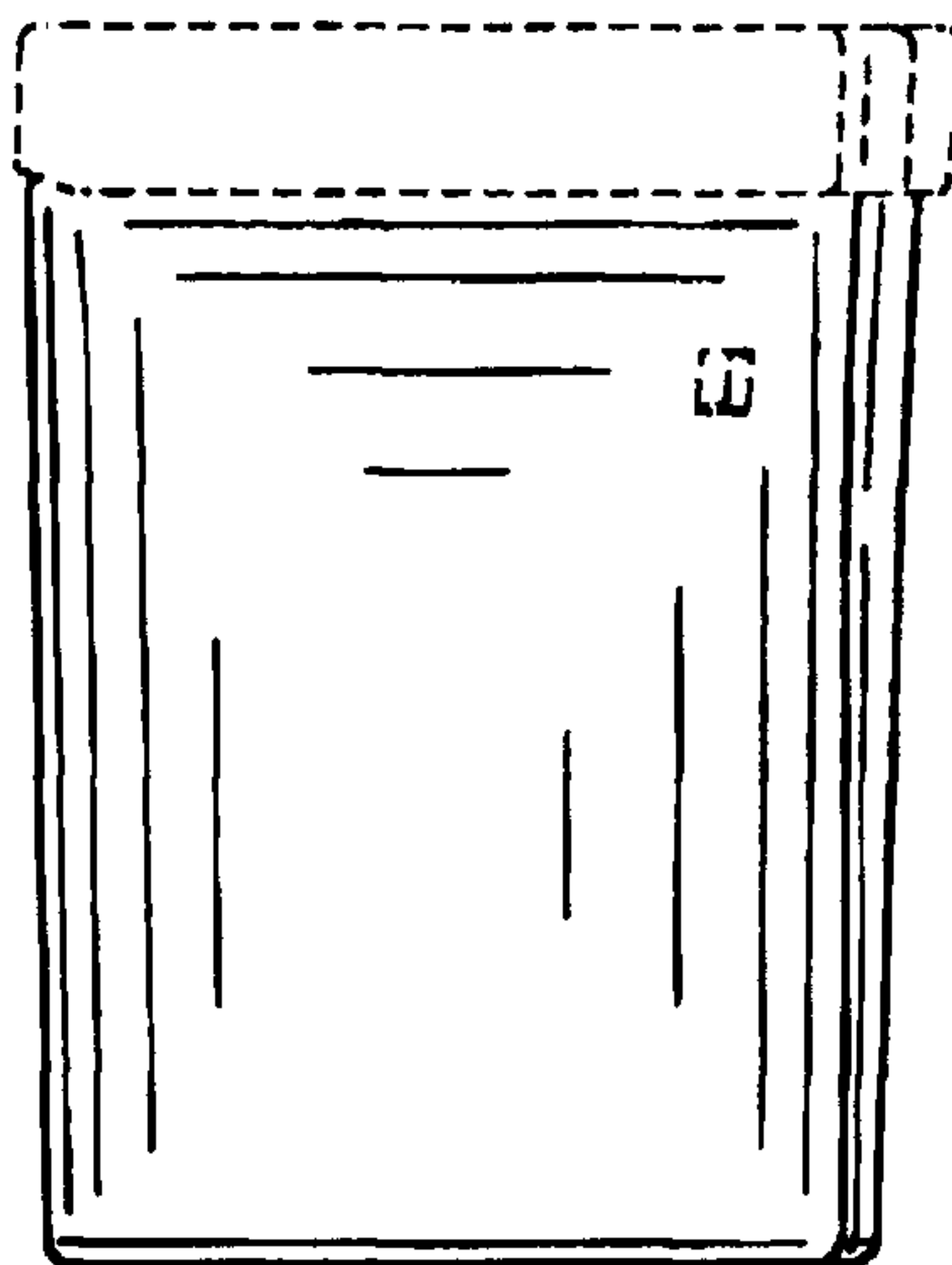
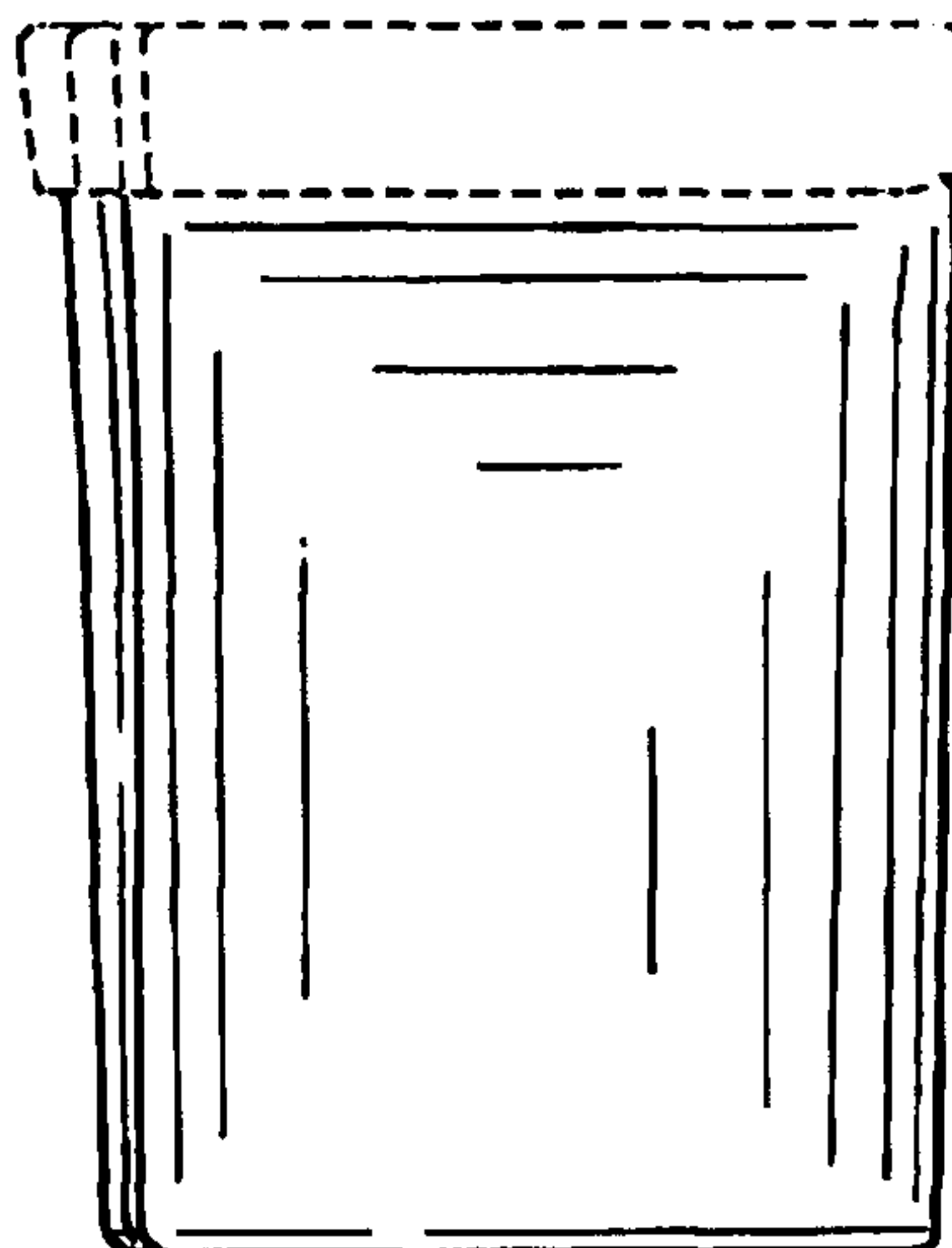


FIG. 11



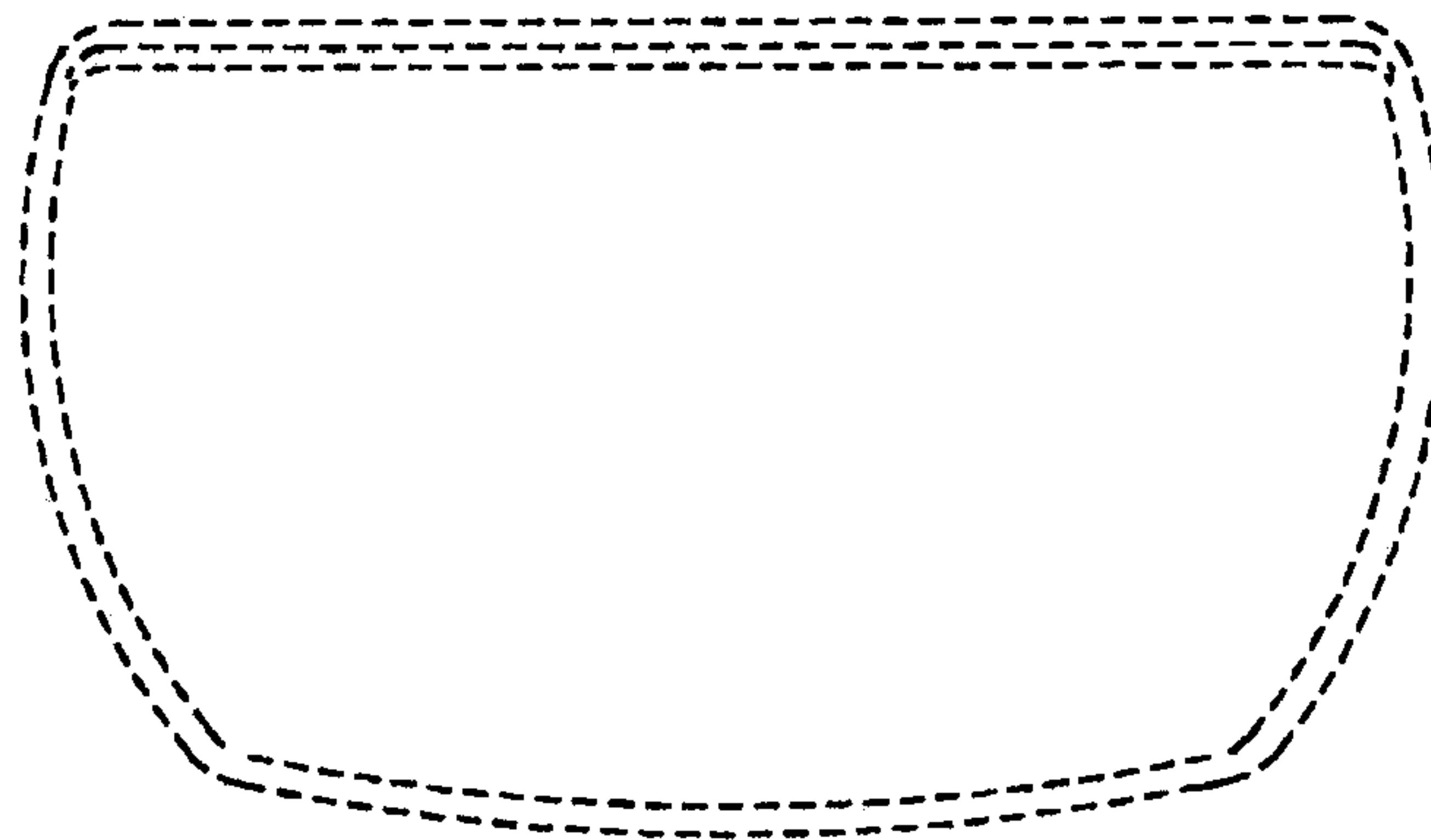


FIG. 12

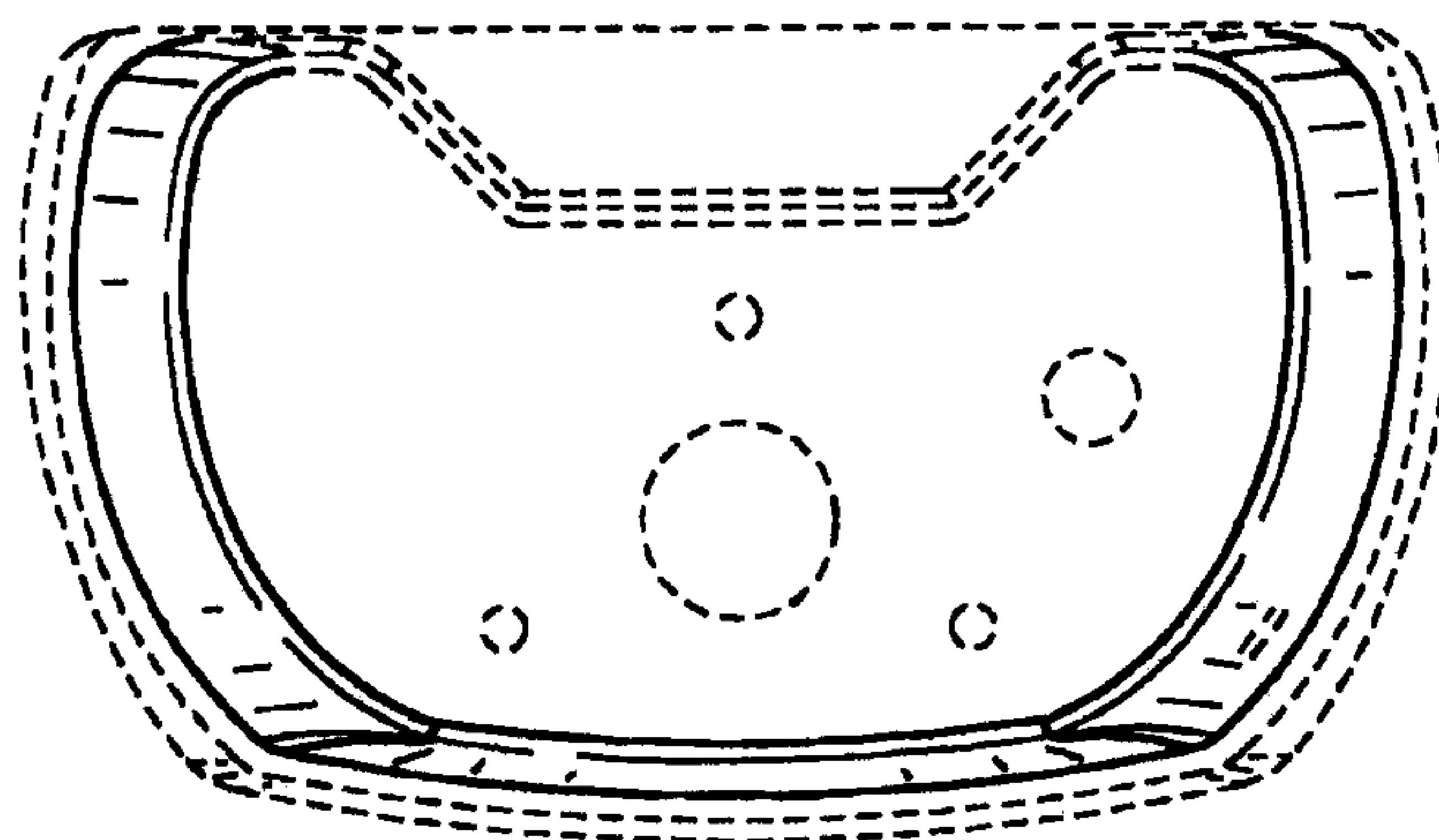


FIG. 13

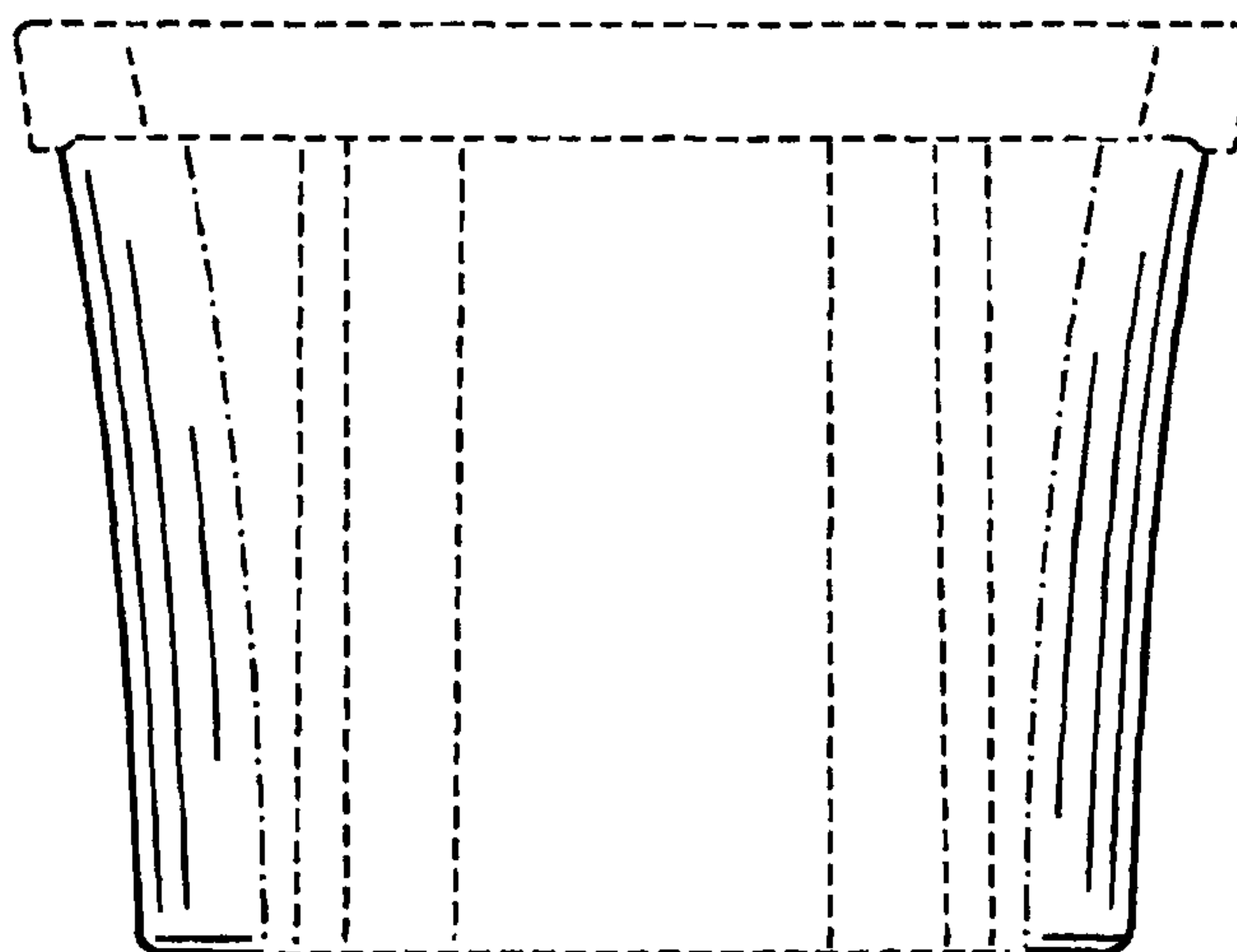


FIG. 14