



US00D641458S

(12) **United States Design Patent**
Mixon

(10) **Patent No.:** **US D641,458 S**

(45) **Date of Patent:** **** Jul. 12, 2011**

(54) **TOILET SEAT LIFTING DEVICE**

6,588,027 B1 * 7/2003 Bowden et al. 4/246.1

* cited by examiner

(76) Inventor: **Vance Mixon**, Round Rock, TX (US)

Primary Examiner — Robert Delehanty

(**) Term: **14 Years**

(74) *Attorney, Agent, or Firm* — Dale J. Ream

(21) Appl. No.: **29/383,248**

(22) Filed: **Jan. 14, 2011**

(57) **CLAIM**

The ornamental design for a toilet seat lifting device, as shown and described.

Related U.S. Application Data

(63) Continuation-in-part of application No. 11/875,447, filed on Oct. 19, 2007.

DESCRIPTION

(51) **LOC (9) Cl.** **23-02**

FIG. 1 is a perspective view of a toilet seat lifting device showing my new design;

(52) **U.S. Cl.** **D23/309**

FIG. 2 is a front view thereof;

(58) **Field of Classification Search** D23/303,

FIG. 3 is a back view thereof;

D23/309; 4/246.1, 246.3

FIG. 4 is a right side view thereof;

See application file for complete search history.

FIG. 5 is a left side view thereof;

FIG. 6 is a top view thereof; and,

FIG. 7 is a bottom view thereof.

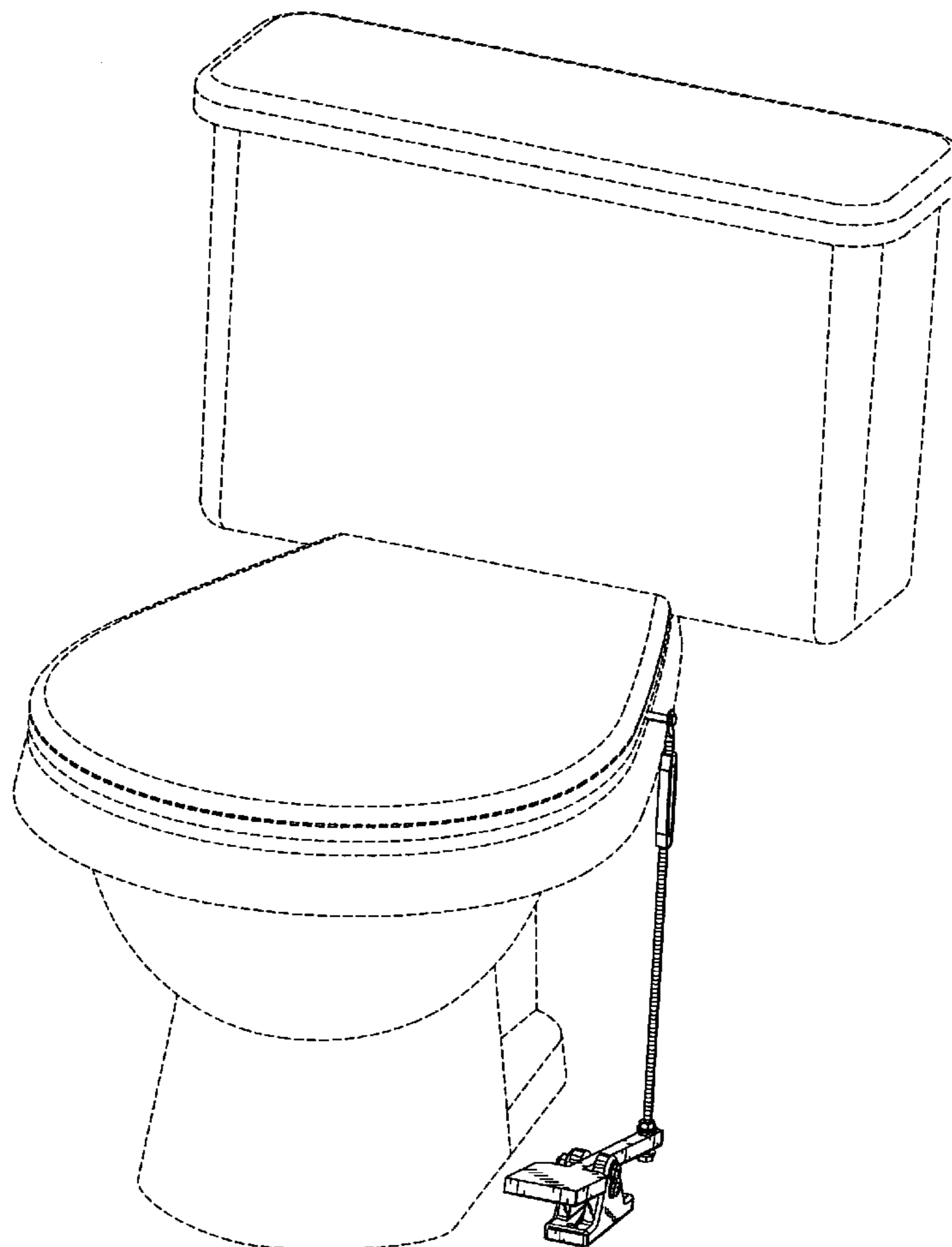
In the drawings, the broken lines showing a toilet illustrate environment and form no part of the claimed design.

(56) **References Cited**

U.S. PATENT DOCUMENTS

621,790	A *	3/1899	Burger et al.	4/246.3
1,511,533	A *	10/1924	Staszak	4/246.5
5,404,595	A *	4/1995	Carmel	4/246.1

1 Claim, 5 Drawing Sheets



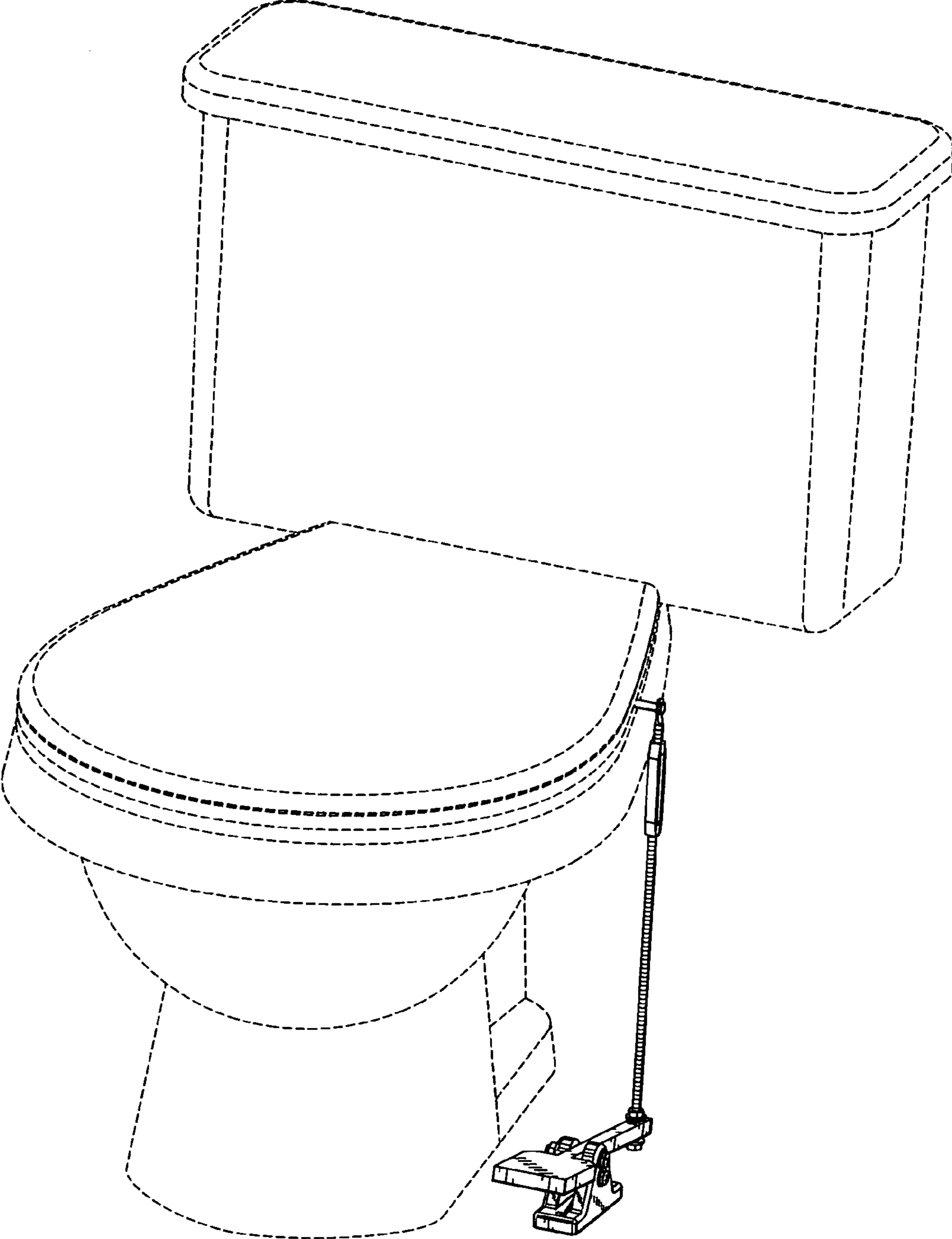


Fig. 1

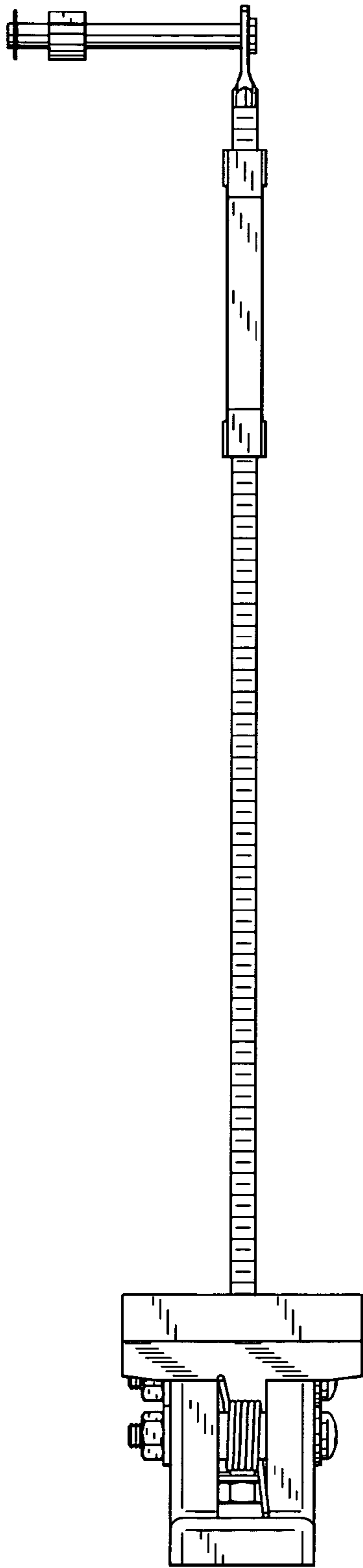


Fig. 2

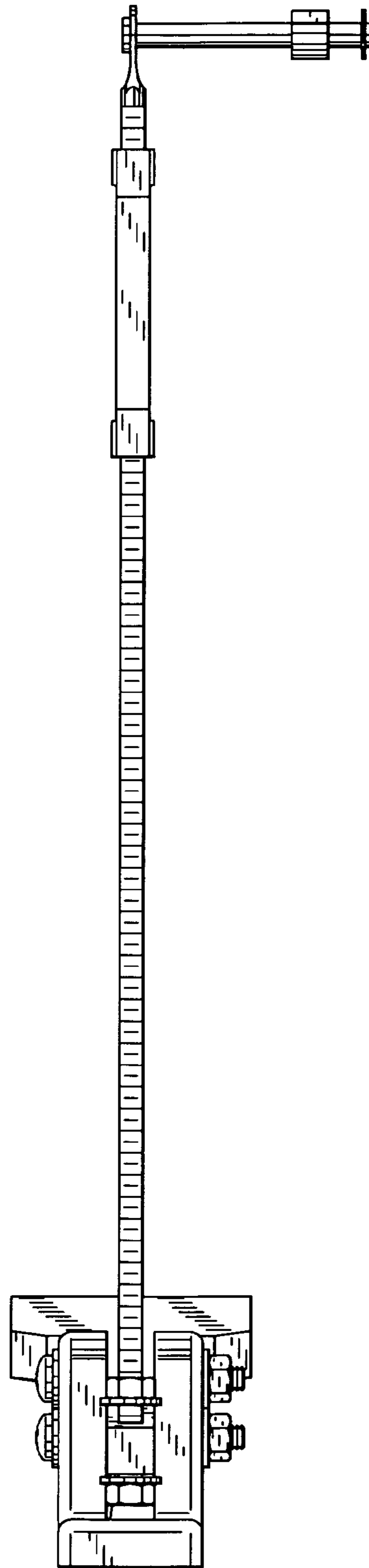


Fig. 3

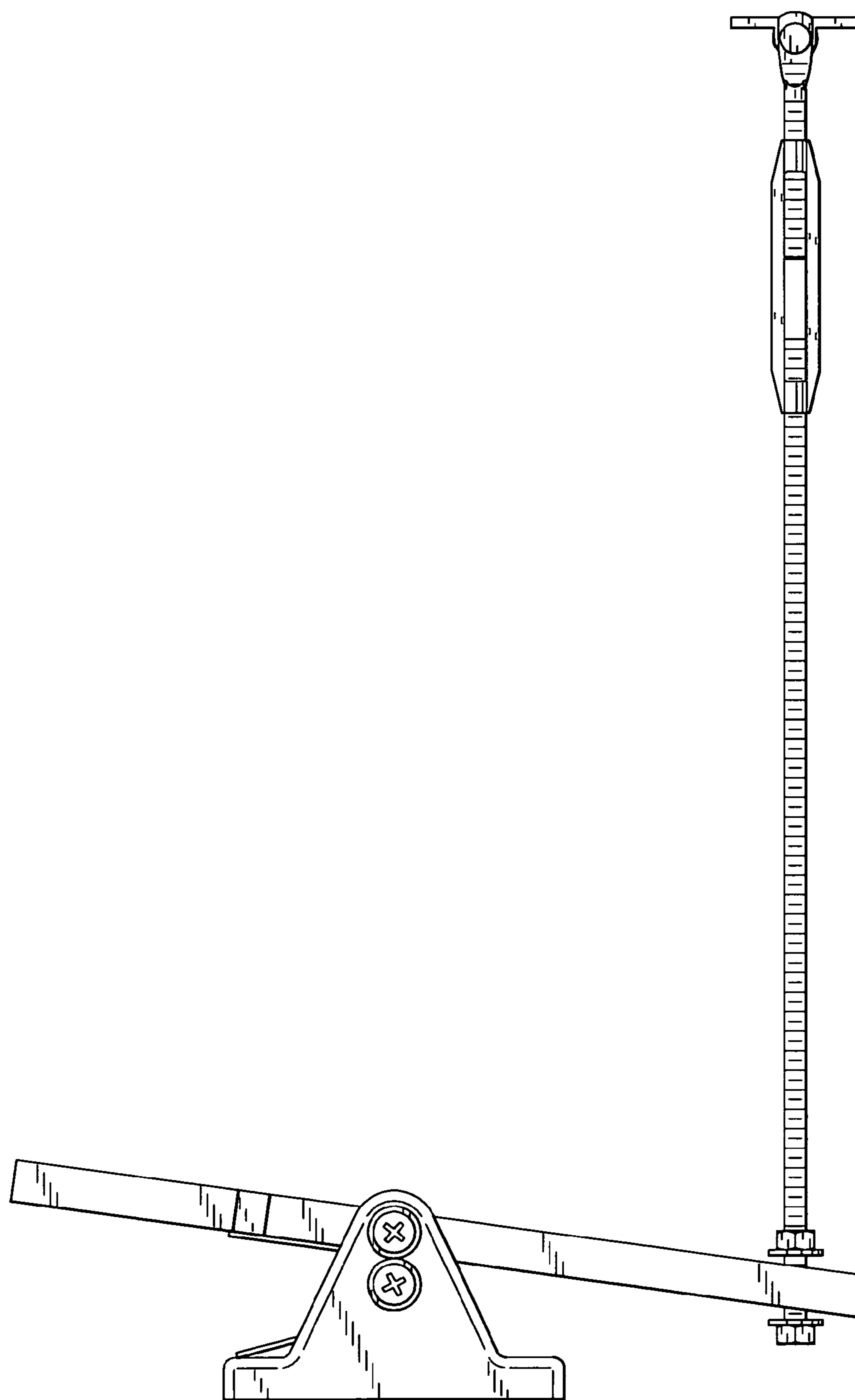


Fig. 4

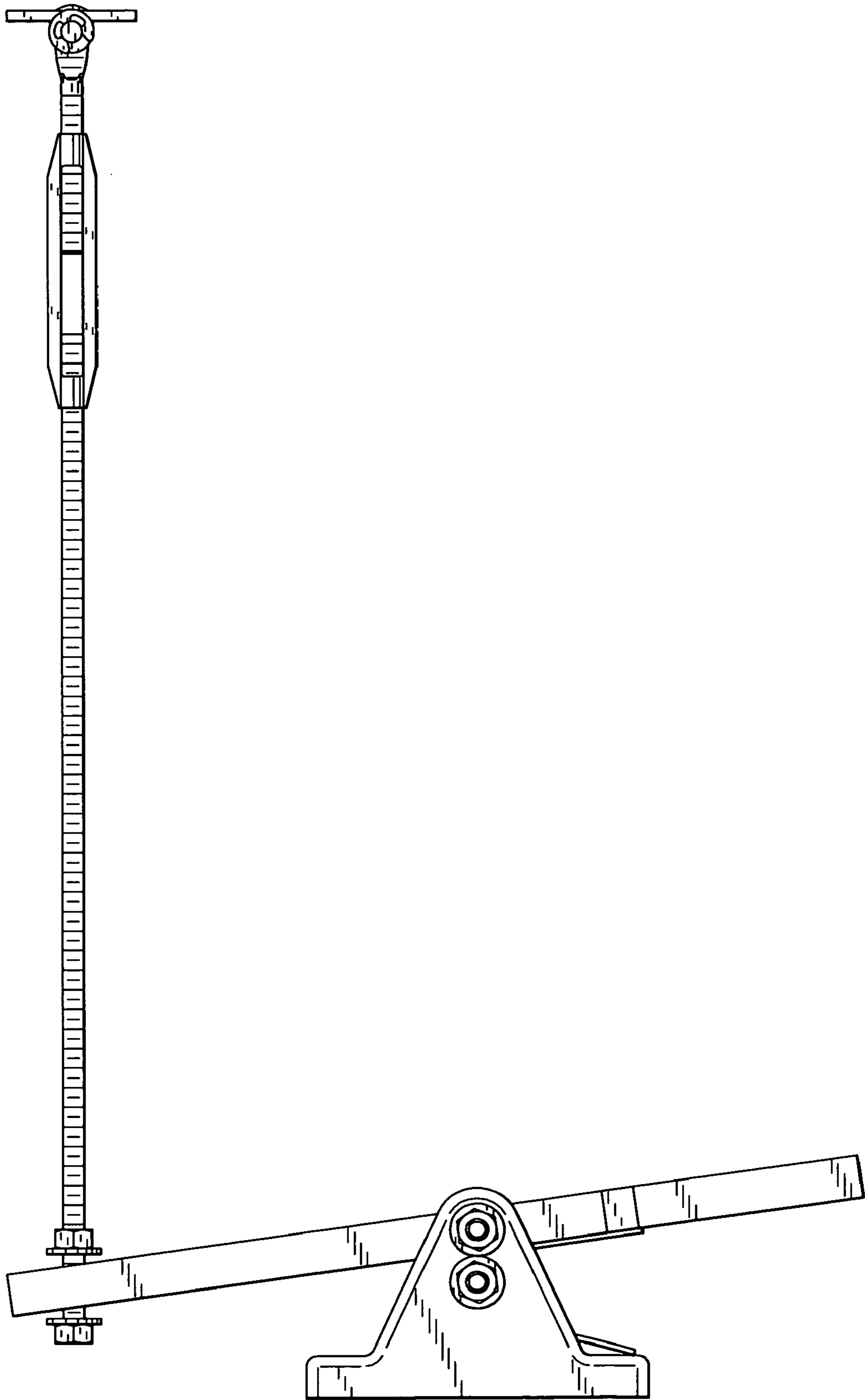


Fig. 5

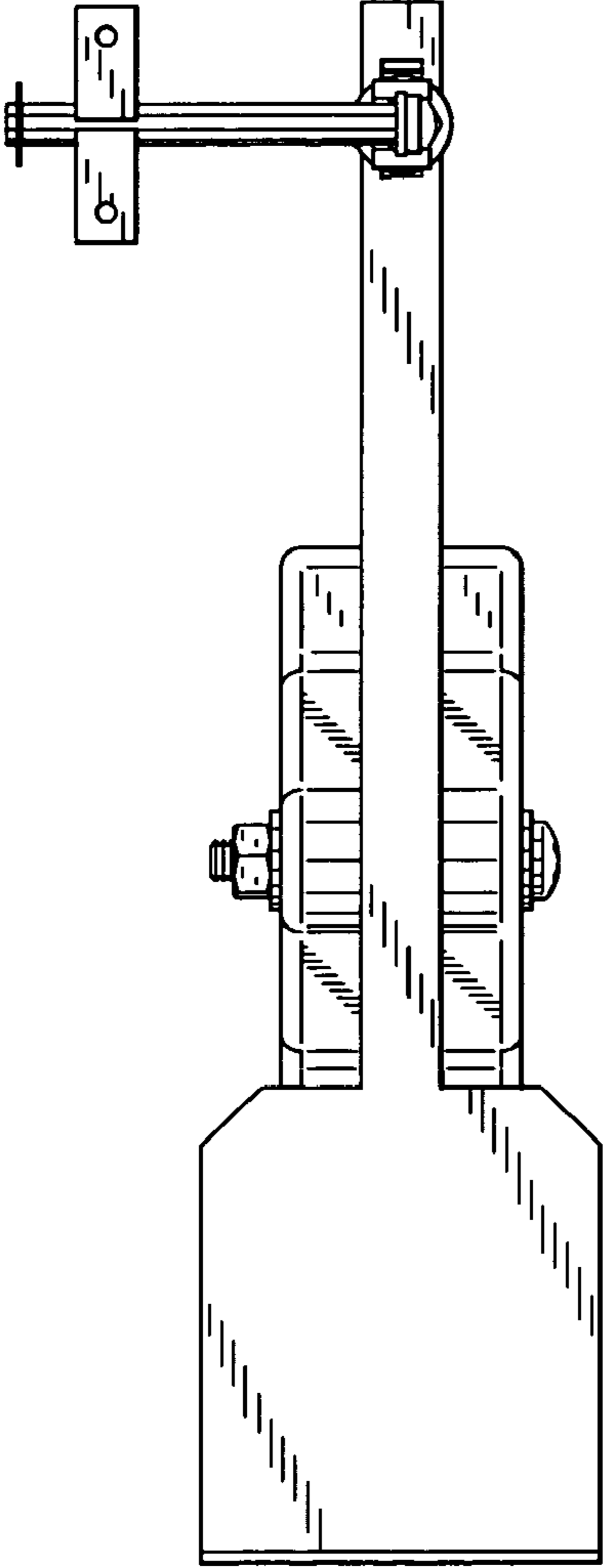


Fig. 6

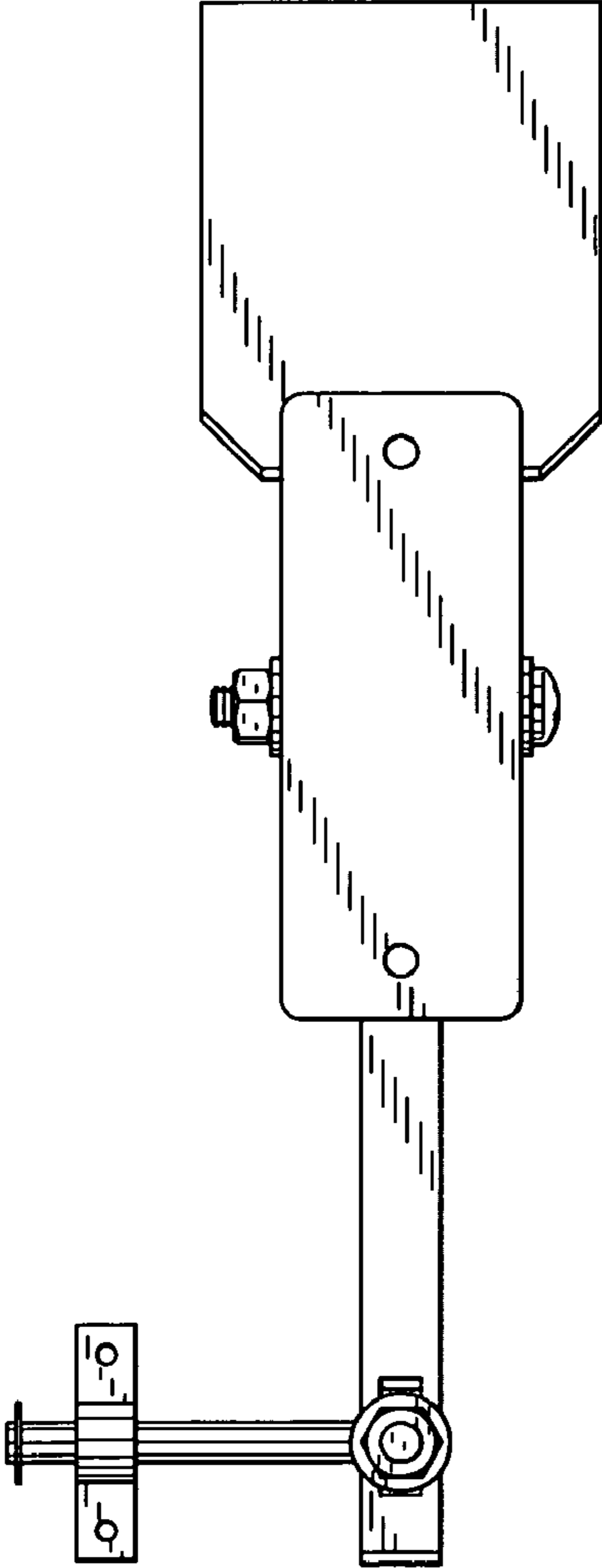


Fig. 7