



US00D641455S

(12) **United States Design Patent**  
**Euse**

(10) **Patent No.:** **US D641,455 S**

(45) **Date of Patent:** **\*\* Jul. 12, 2011**

(54) **BASIN**

(76) Inventor: **Peter F. Euse**, Bonita Springs, FL (US)

(\*\*) Term: **14 Years**

(21) Appl. No.: **29/377,218**

(22) Filed: **Oct. 19, 2010**

(51) **LOC (9) Cl.** ..... **23-02**

(52) **U.S. Cl.** ..... **D23/284**

(58) **Field of Classification Search** ..... D23/272-274,  
D23/284, 286-287, 290, 293.1, 303, 308;  
4/619, 639, 630-631

See application file for complete search history.

(56) **References Cited**

**U.S. PATENT DOCUMENTS**

D537,150 S \* 2/2007 Morris et al. .... D23/293.1  
D575,380 S \* 8/2008 Ziemann et al. .... D23/293.1

\* cited by examiner

*Primary Examiner* — Robert Delehanty

(74) *Attorney, Agent, or Firm* — The Livingston Firm;  
Edward M. Livingston, Esq.; Bryan L. Loeffler, Esq.

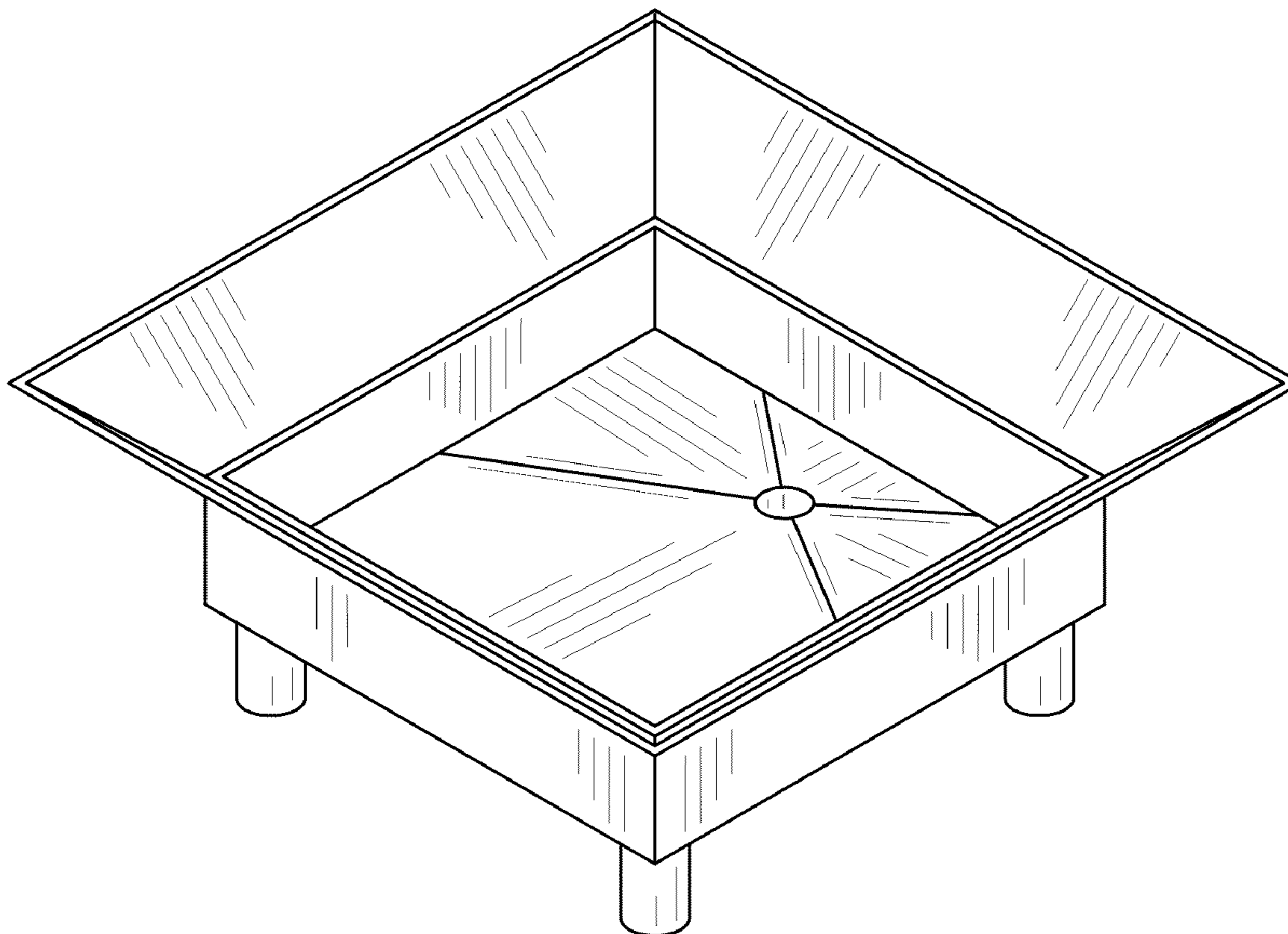
(57) **CLAIM**

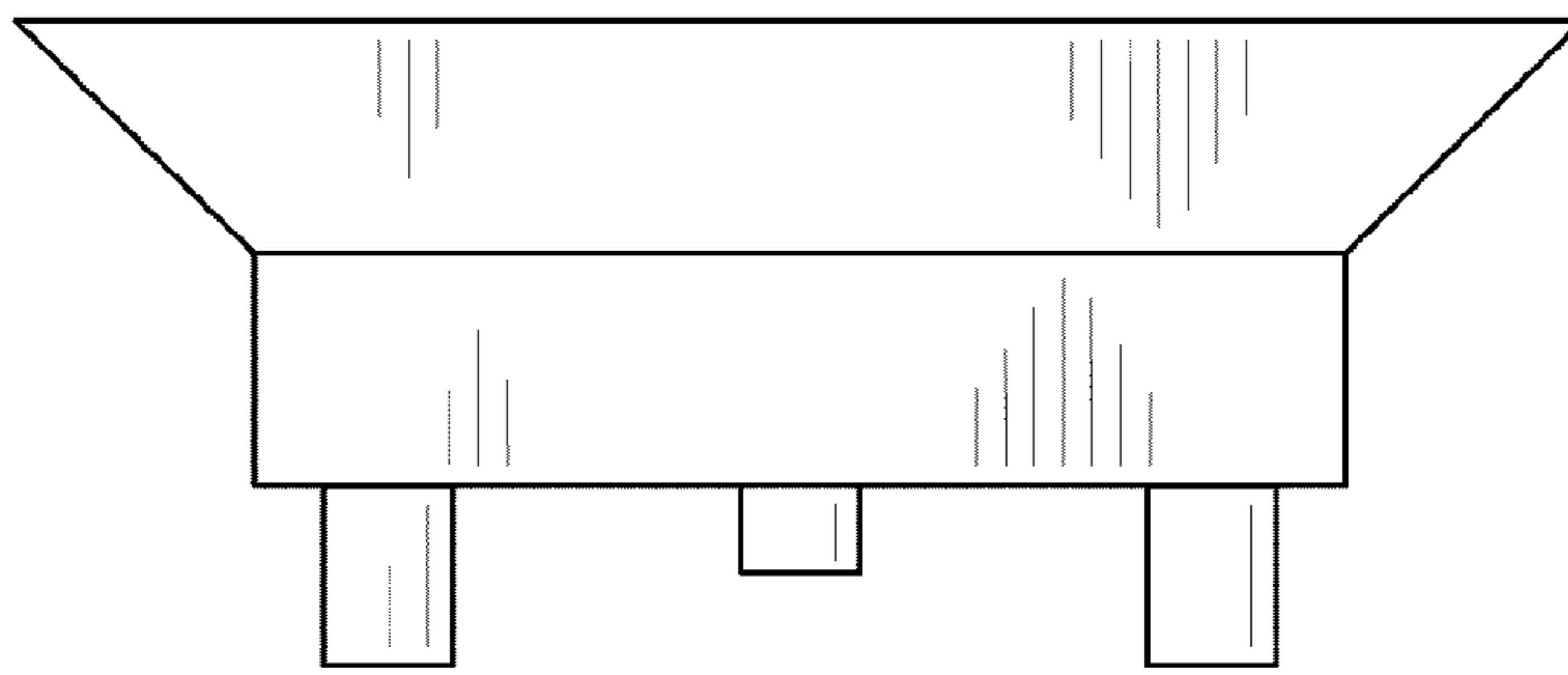
The ornamental design for a basin, as shown and described.

**DESCRIPTION**

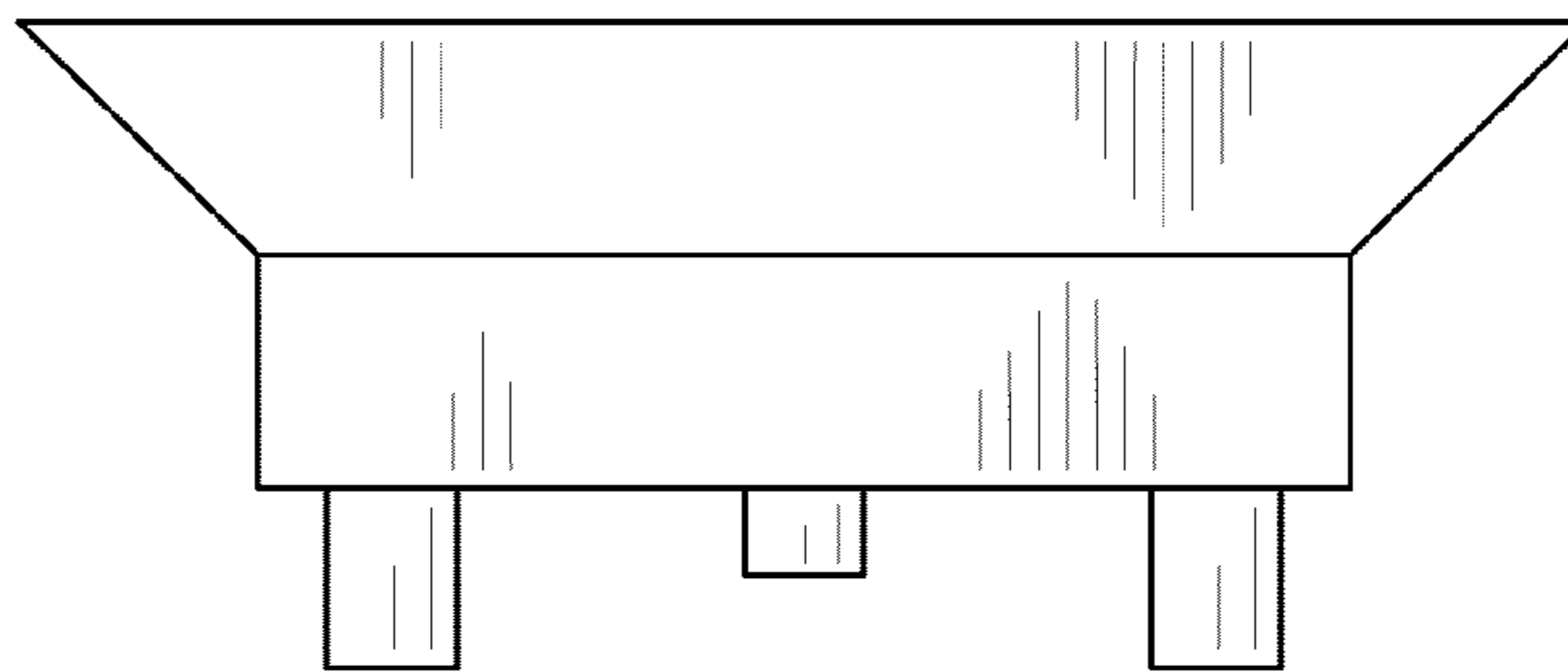
FIG. 1 is a front view of a basin of the present invention;  
FIG. 2 is a rear view of the basin;  
FIG. 3 is a left side view of the basin;  
FIG. 4 is a right side view of the basin;  
FIG. 5 is a left side perspective view of the basin;  
FIG. 6 is a right side perspective view of the basin;  
FIG. 7 is a top view of the basin; and,  
FIG. 8 is a bottom view of the basin.

**1 Claim, 3 Drawing Sheets**

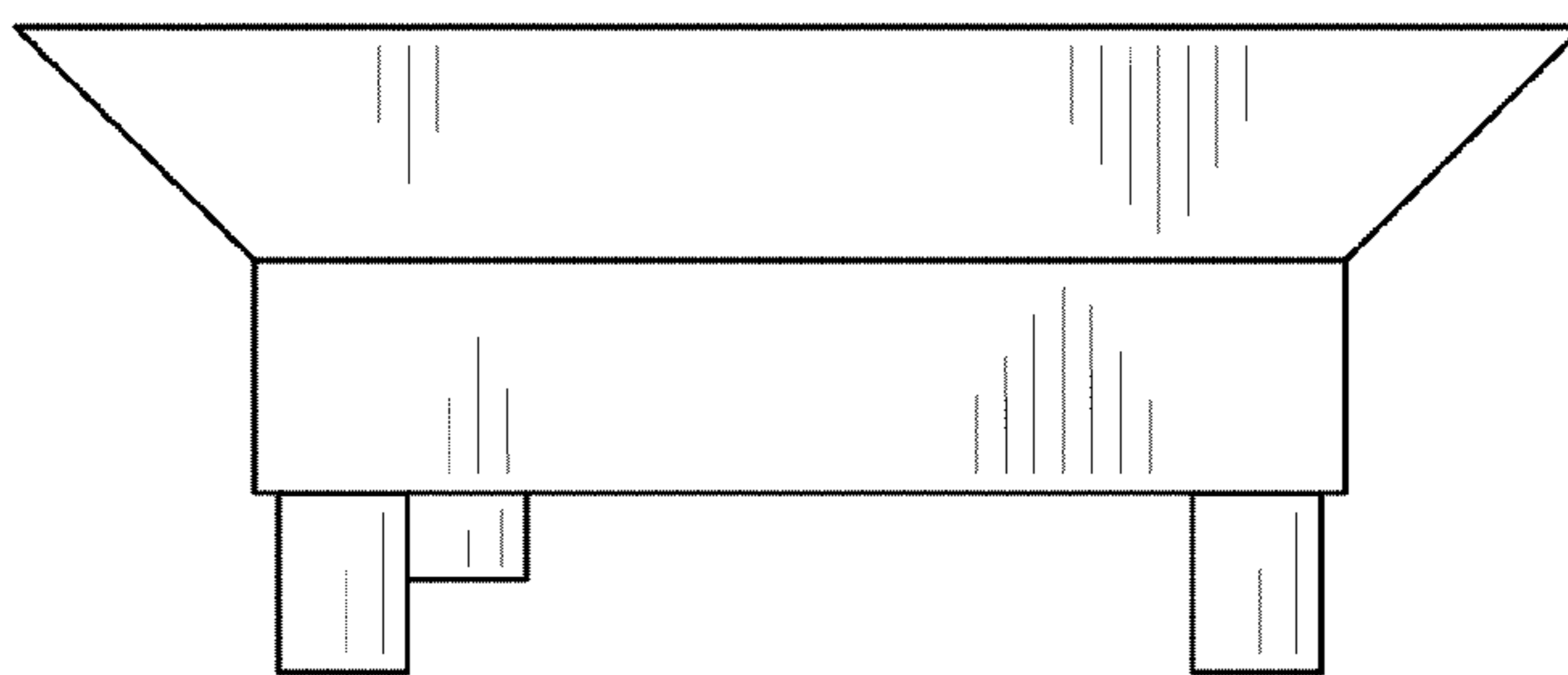




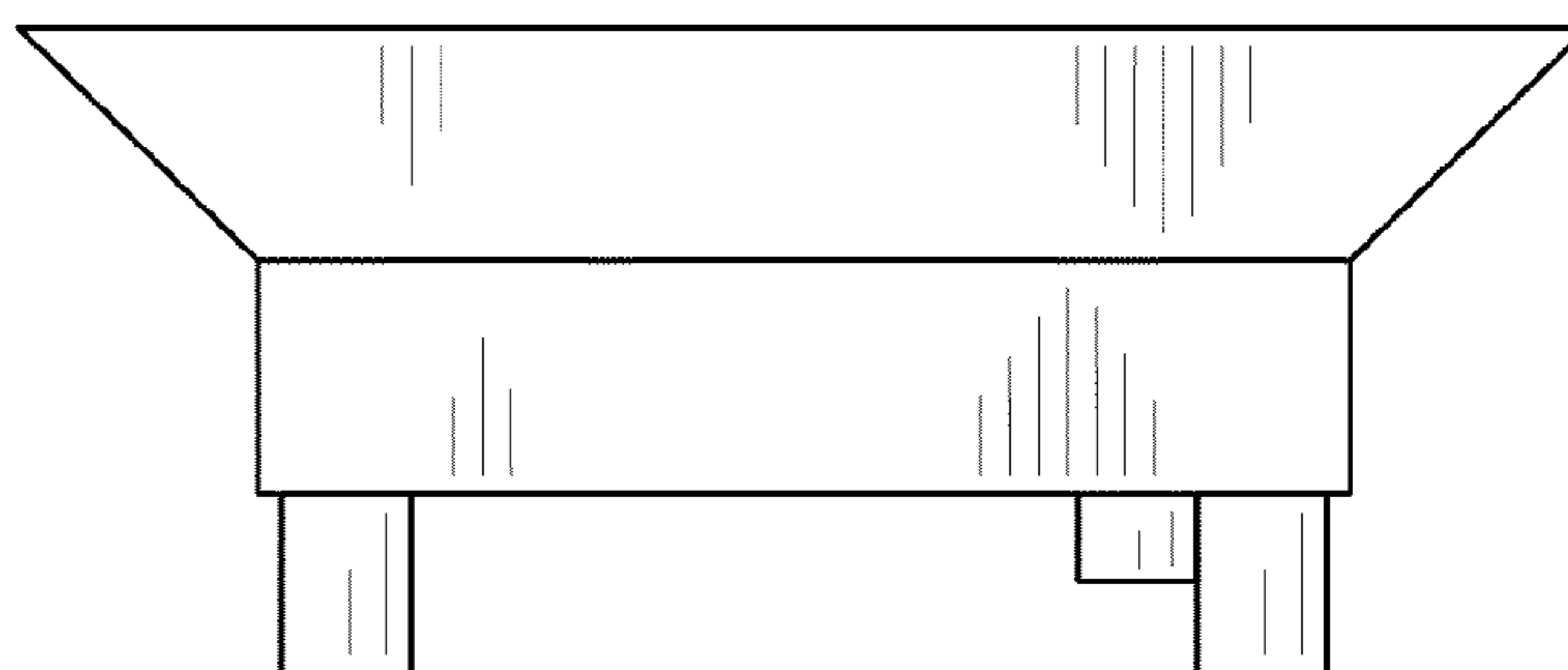
*FIG. 1*



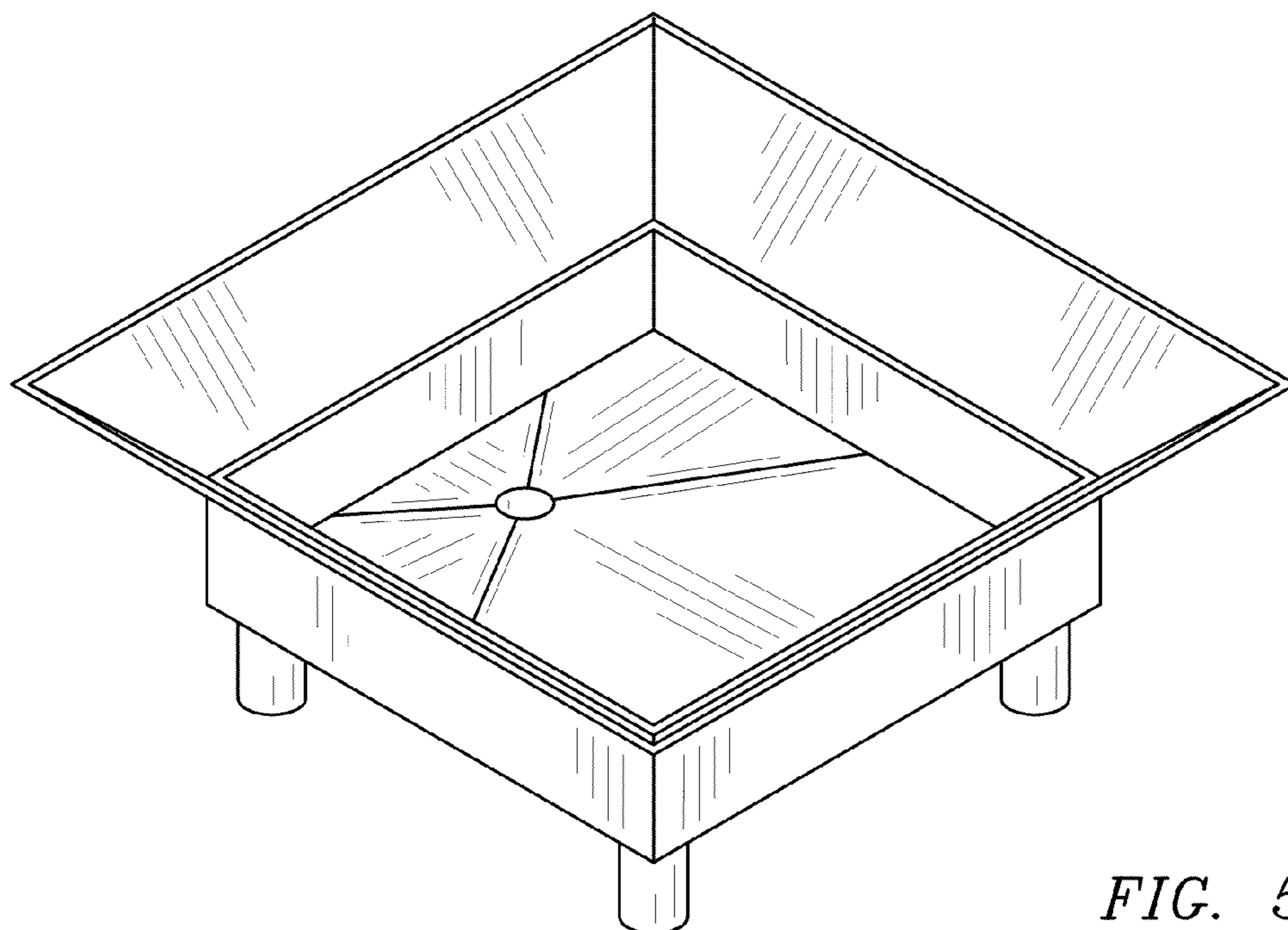
*FIG. 2*



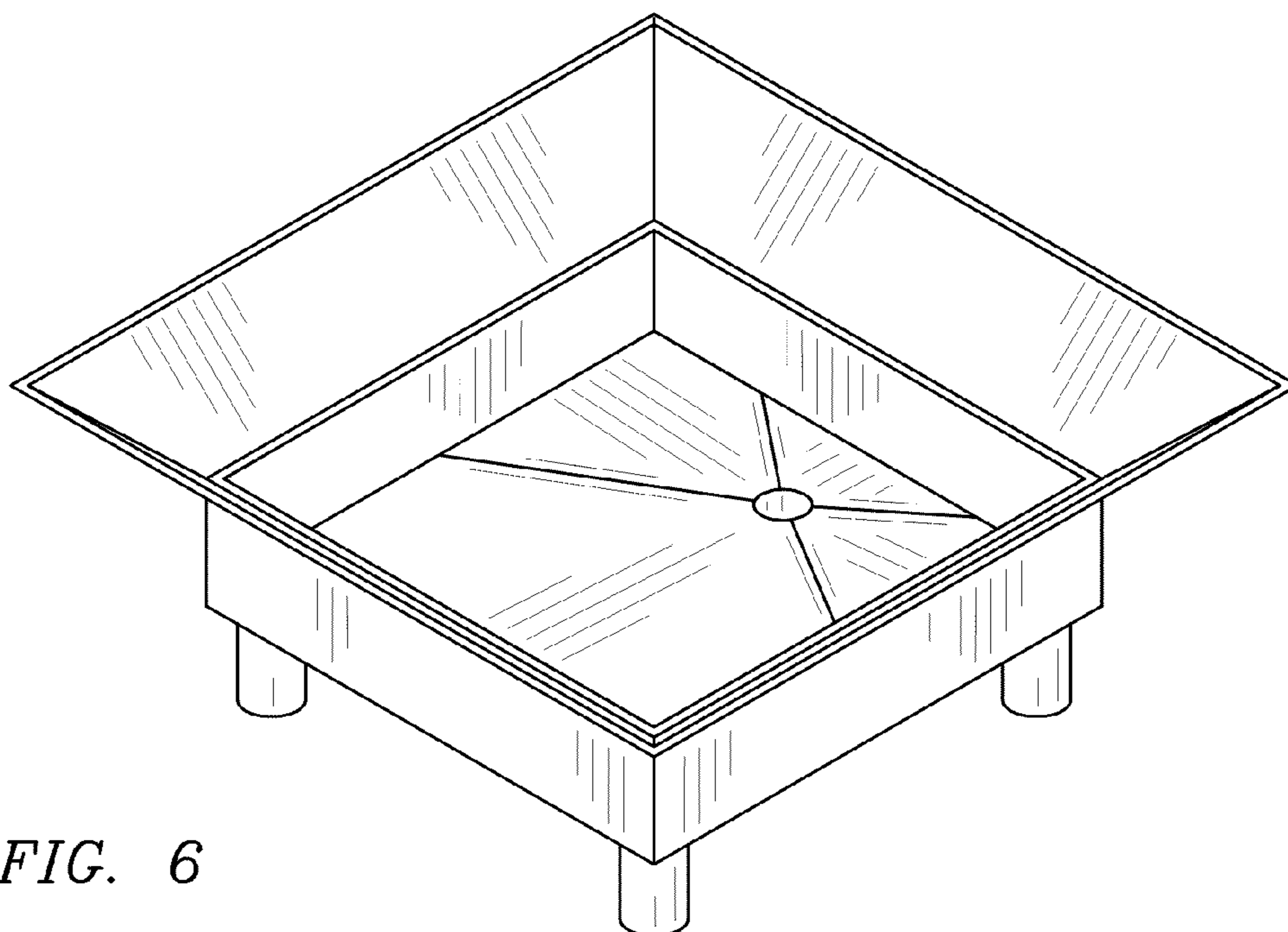
*FIG. 3*



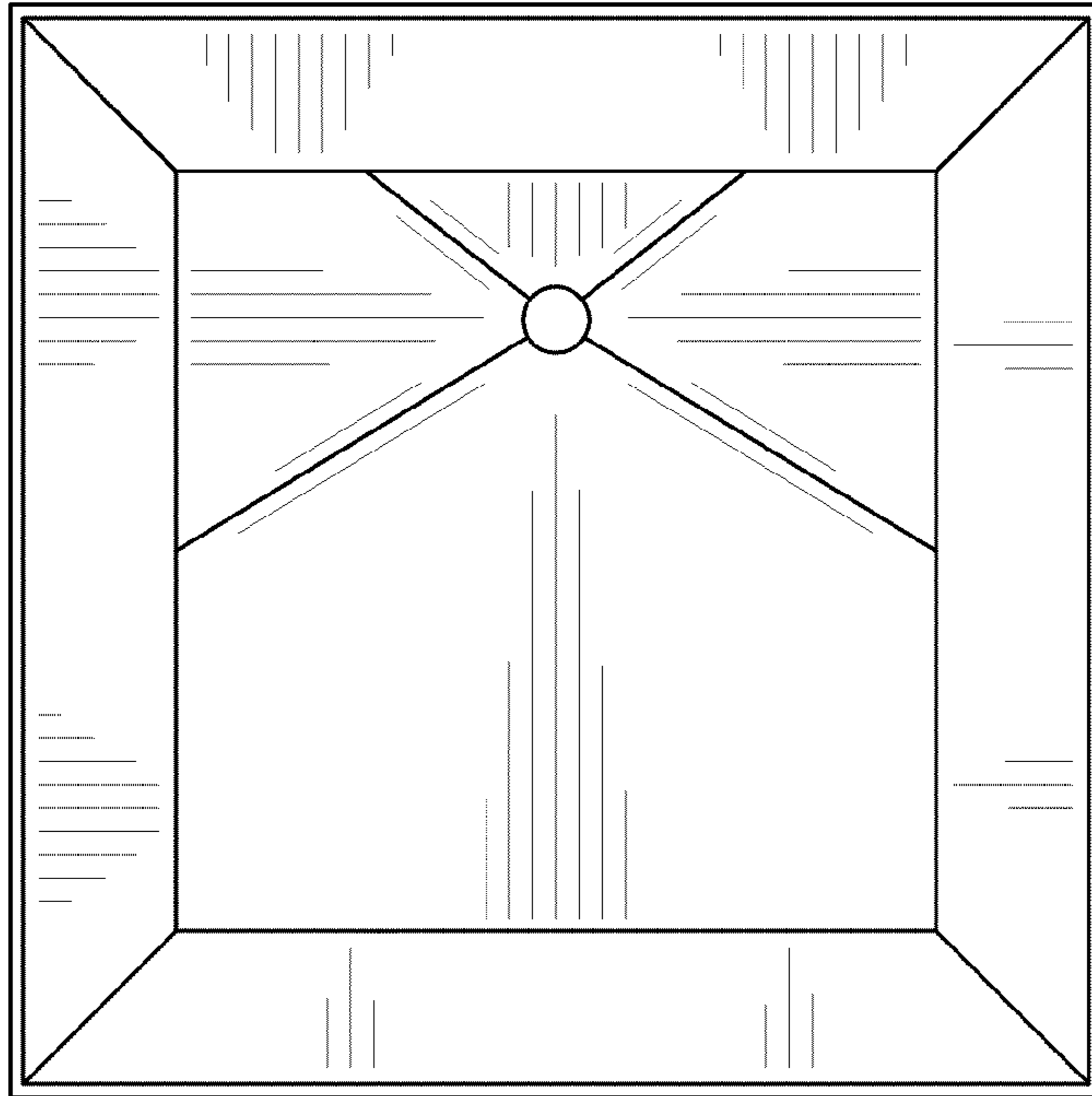
*FIG. 4*



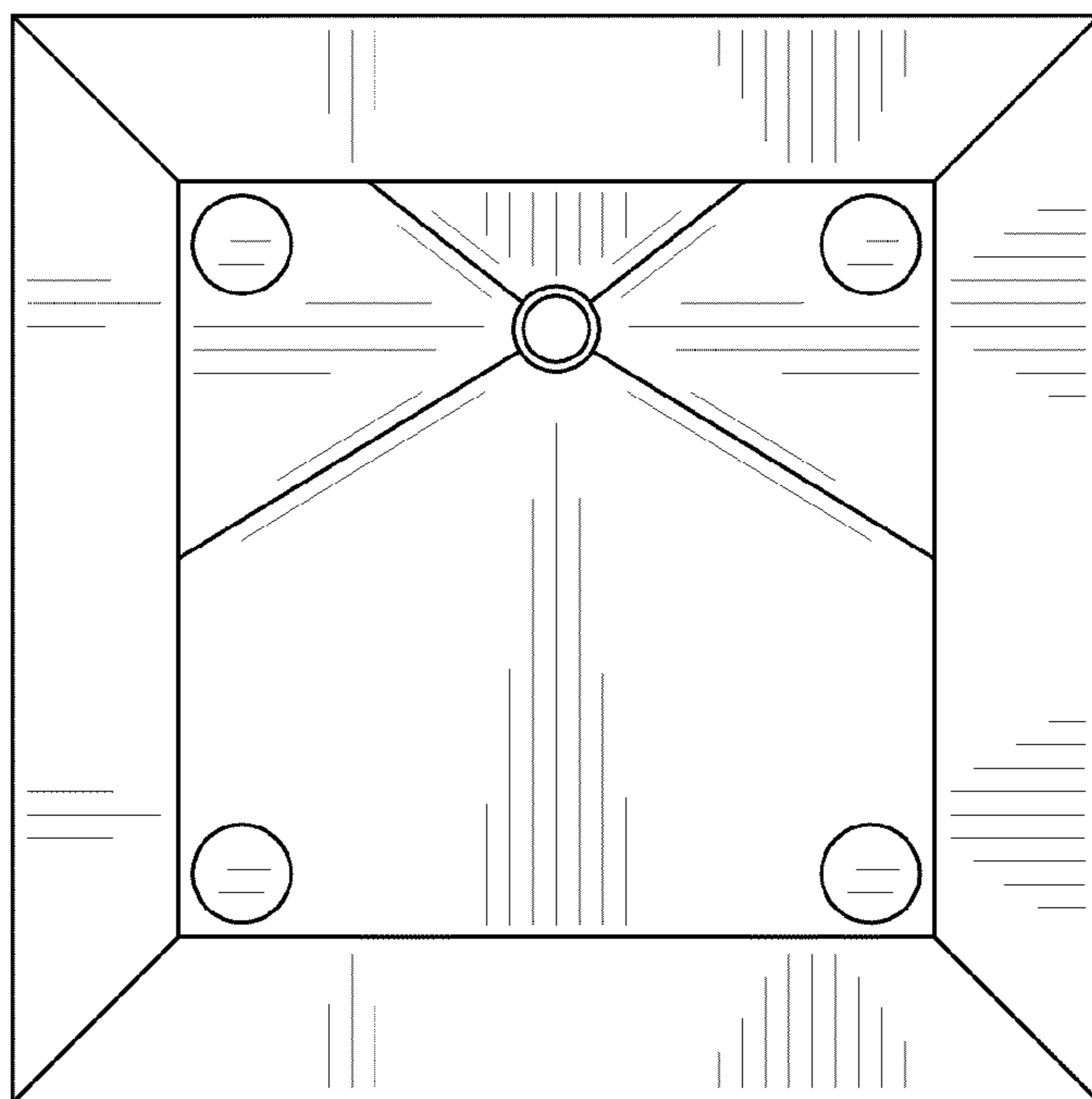
*FIG. 5*



*FIG. 6*



*FIG. 7*



*FIG. 8*