



US00D641453S

(12) **United States Design Patent**
Stone

(10) **Patent No.:** **US D641,453 S**

(45) **Date of Patent:** **** Jul. 12, 2011**

(54) **PISTOL MAGAZINE DISASSEMBLY TOOL SET**

(75) Inventor: **Ray Douglas Stone**, Camillus, NY (US)

(73) Assignee: **Ray Douglas Stone**, Camillus, NY (US)

(**) Term: **14 Years**

(21) Appl. No.: **29/370,283**

(22) Filed: **Jun. 25, 2010**

(51) **LOC (9) Cl.** **22-99**

(52) **U.S. Cl.** **D22/199**

(58) **Field of Classification Search** D22/108,
D22/110; 81/3.05; 269/249, 251; 42/100;
49/94; 33/613; 29/257; D8/14, 16, 51, 55,
D8/59, 71-73, 80, 83, 88, 89, 104-105, 233,
D8/252, 300, 303, 307, 313

See application file for complete search history.

(56) **References Cited**

U.S. PATENT DOCUMENTS

3,979,848	A *	9/1976	Ackerman, Jr.	42/126
4,304,062	A *	12/1981	Pepe et al.	42/87
5,417,003	A *	5/1995	Claveau	42/90
5,864,957	A *	2/1999	Small	42/111
6,513,276	B2 *	2/2003	Mendoza-Orozco	42/137

D620,547	S *	7/2010	Bietsch	D22/199
D622,807	S *	8/2010	Stone	D22/199
2011/0035983	A1 *	2/2011	Conti	42/90

* cited by examiner

Primary Examiner — T. Chase Nelson

Assistant Examiner — Michael Pratt

(57) **CLAIM**

The ornamental design for a pistol magazine disassembly tool set, as shown and described.

DESCRIPTION

FIG. 1 is a front exploded elevation view of the; pistol magazine disassembly tool set

FIG. 2 is a right side exploded elevation view thereof;

FIG. 3 is a left side exploded elevation view thereof;

FIG. 4 is a rear side exploded elevation view thereof;

FIG. 5 is a top plan exploded view thereof;

FIG. 6 is a right hand perspective exploded top plan view thereof;

FIG. 7 is a left hand perspective exploded top plan view thereof;

FIG. 8 is a bottom plan exploded view thereof;

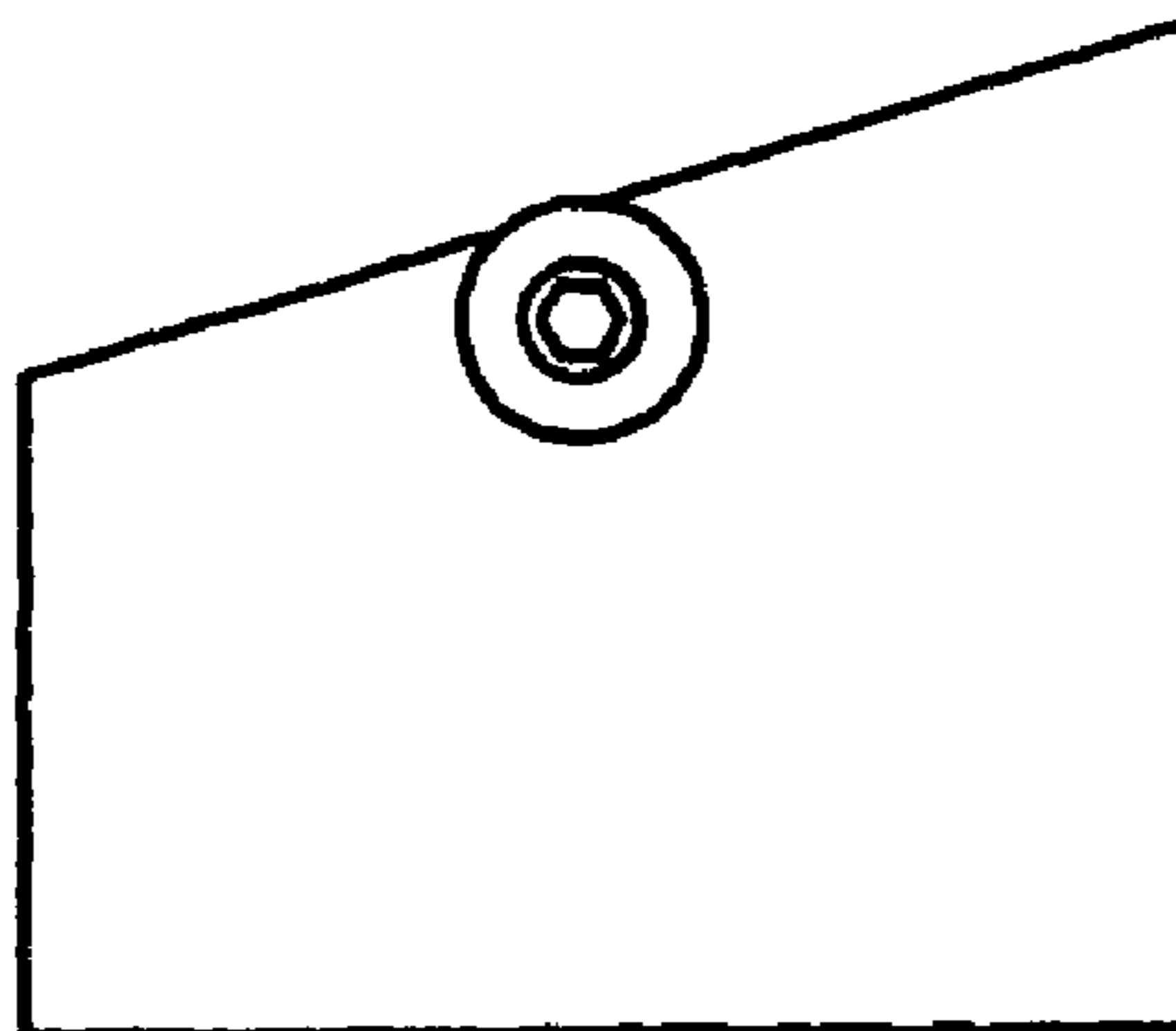
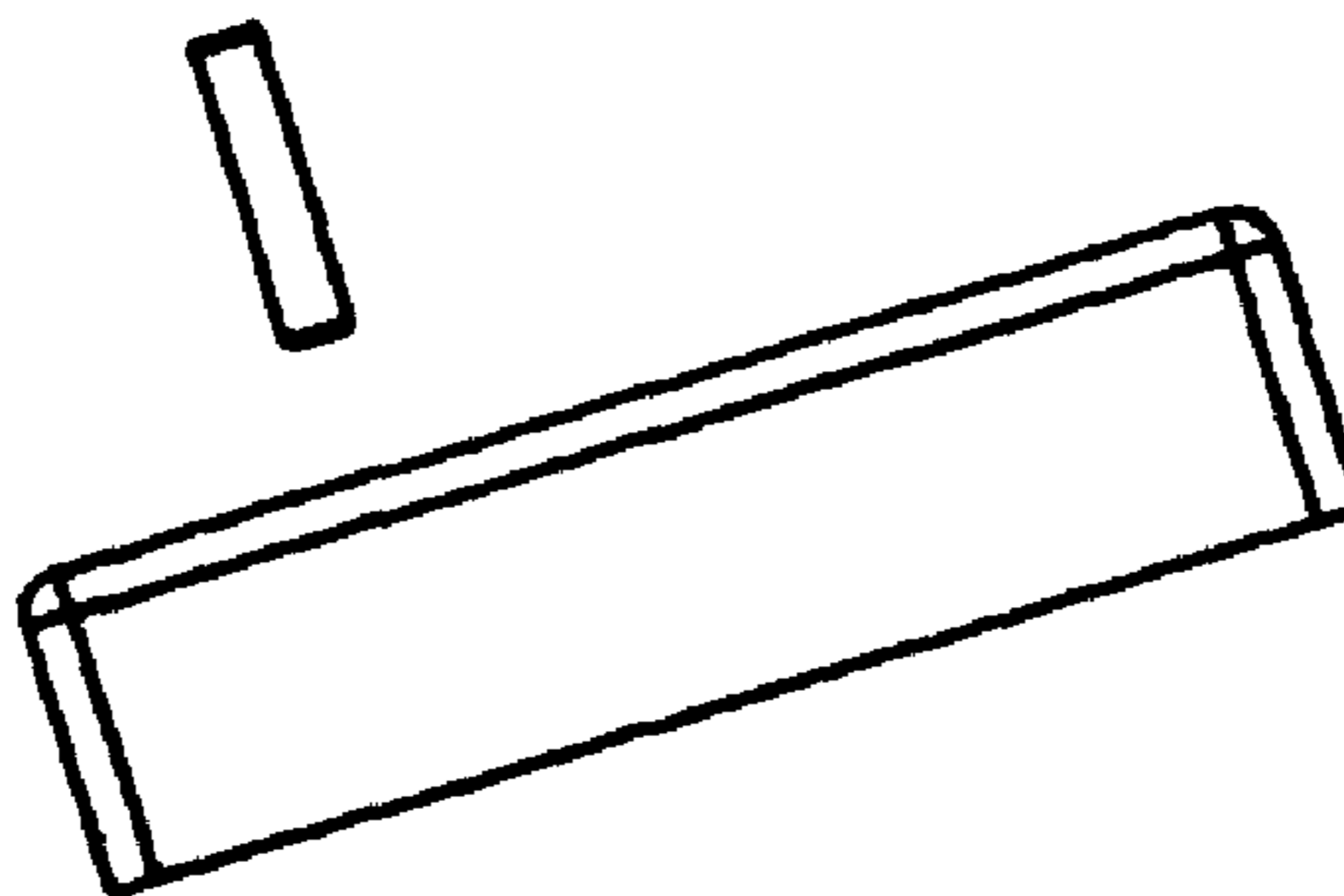
FIG. 9 is a right hand perspective exploded bottom plan view thereof;

FIG. 10 is a left hand perspective exploded bottom plan view thereof;

FIG. 11 is a right side elevation view thereof; and,

FIG. 12 is a left side elevation view thereof.

1 Claim, 12 Drawing Sheets



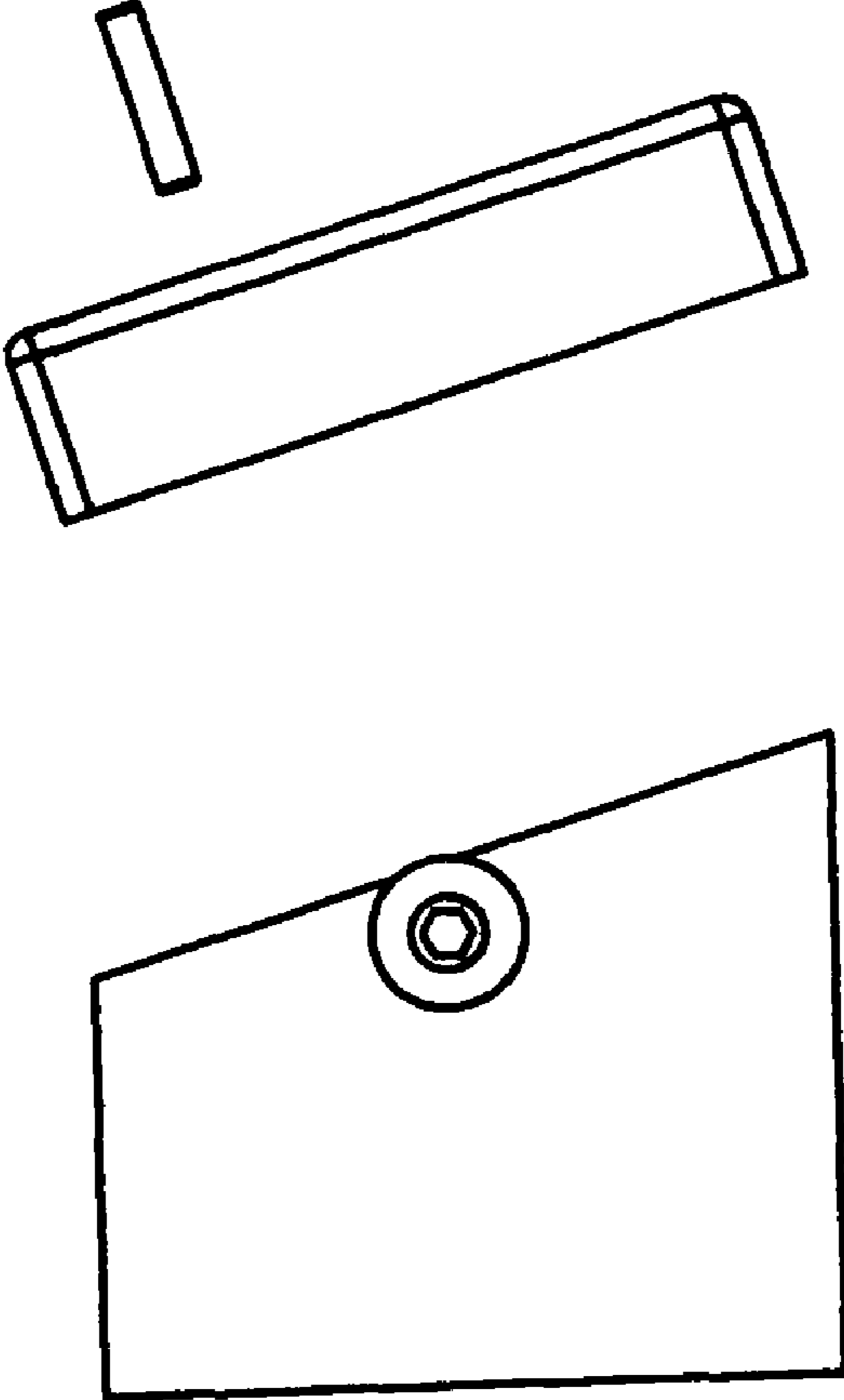


Fig. 1

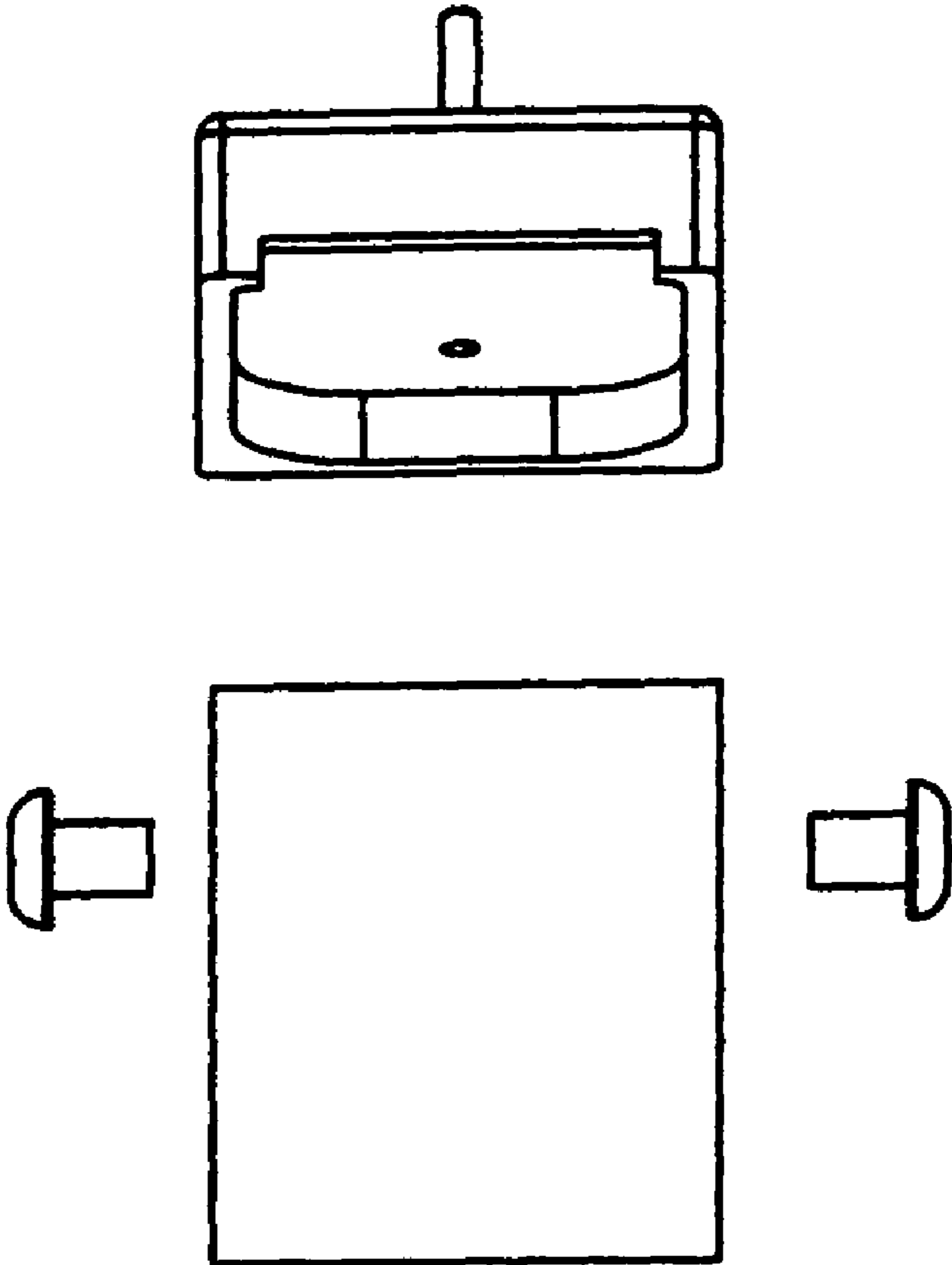


Fig. 2

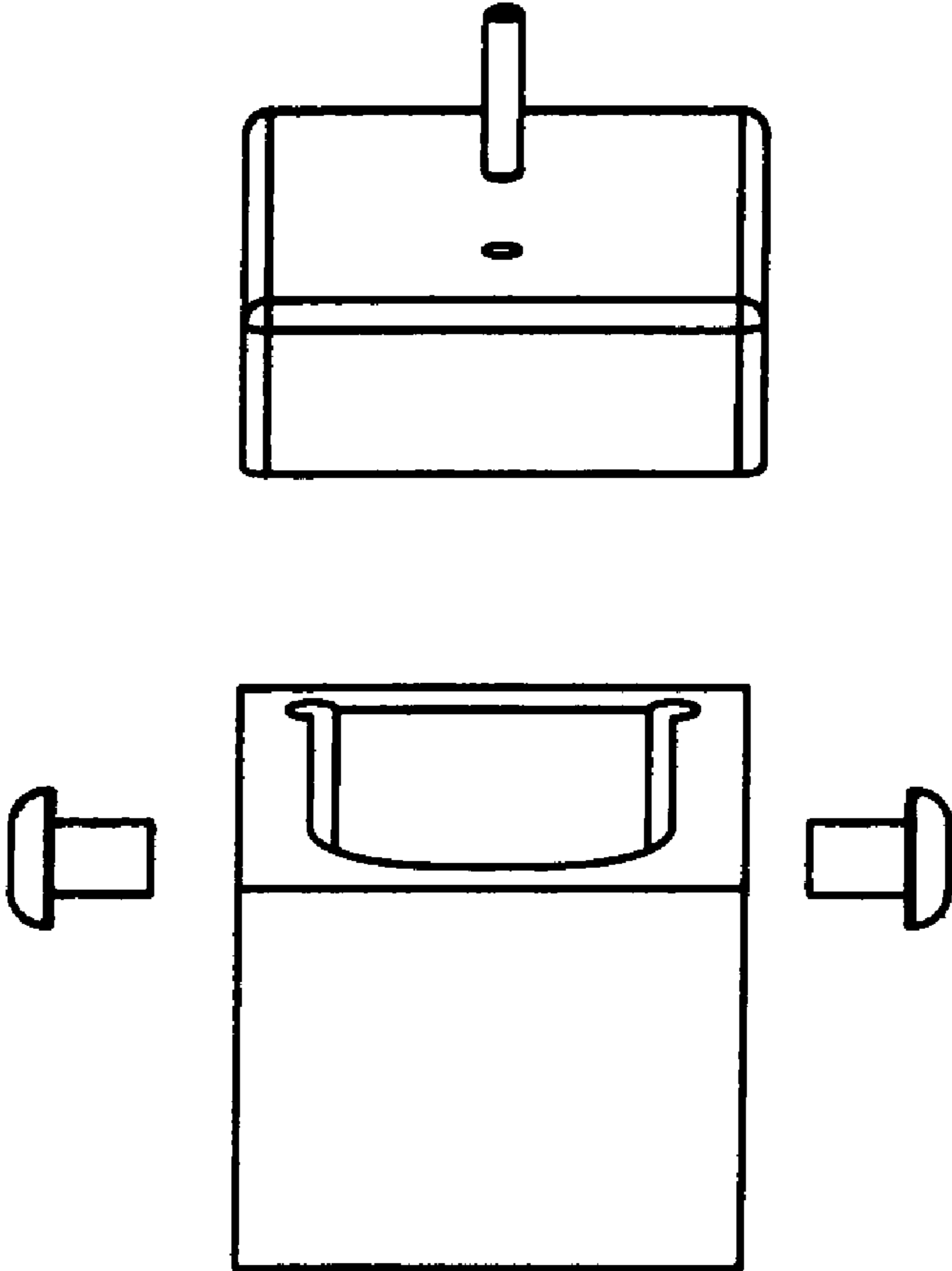


Fig. 3

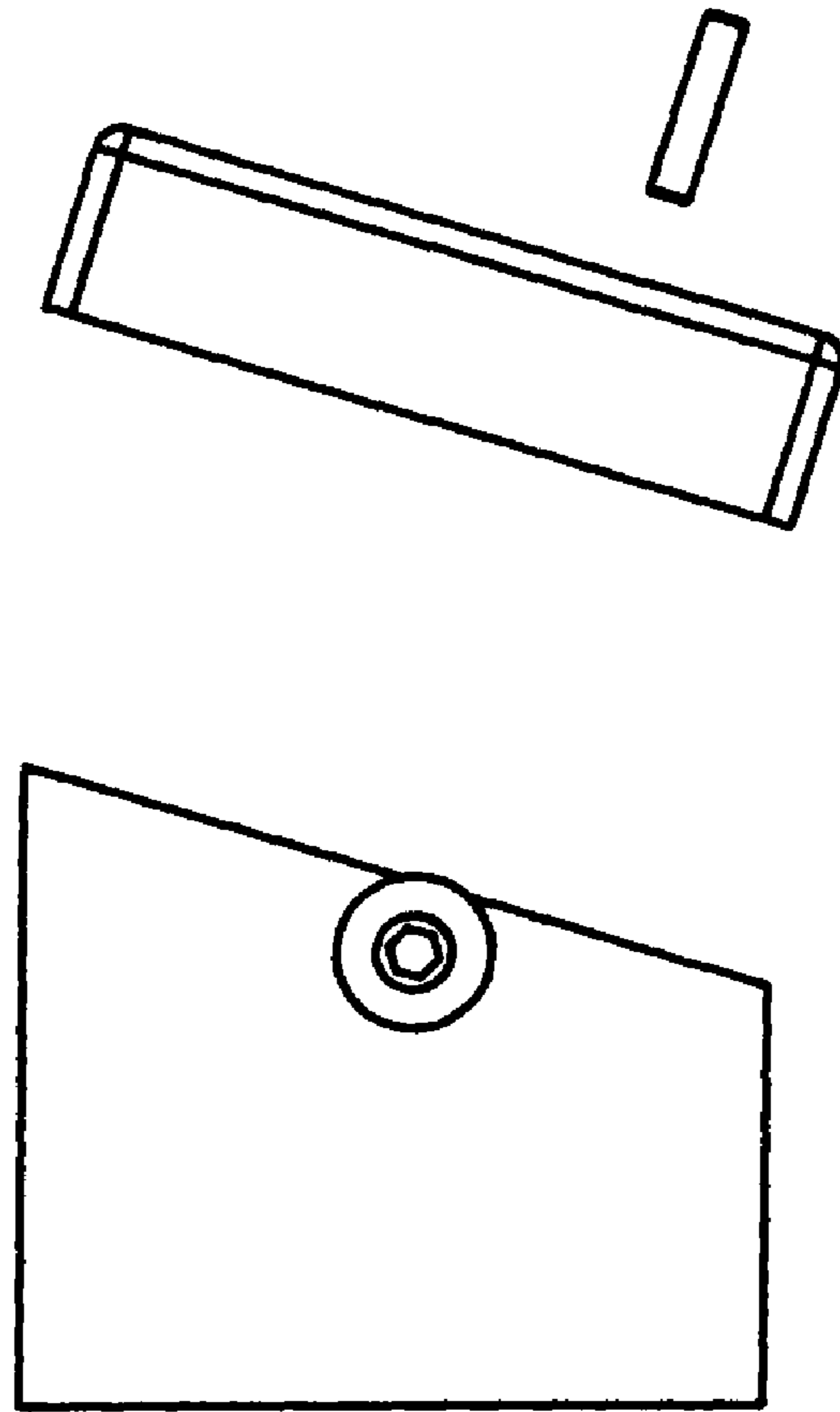


Fig. 4

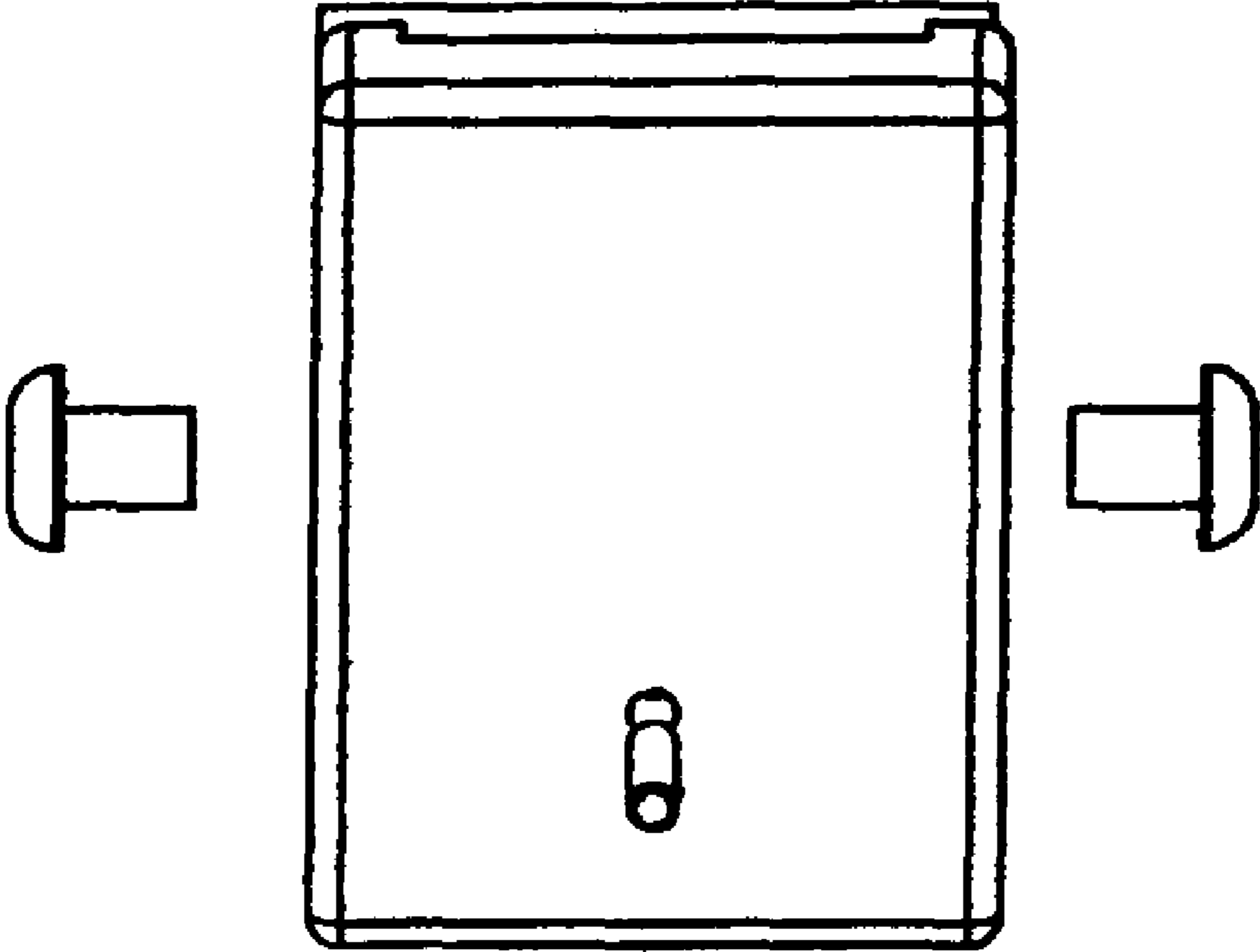


Fig. 5

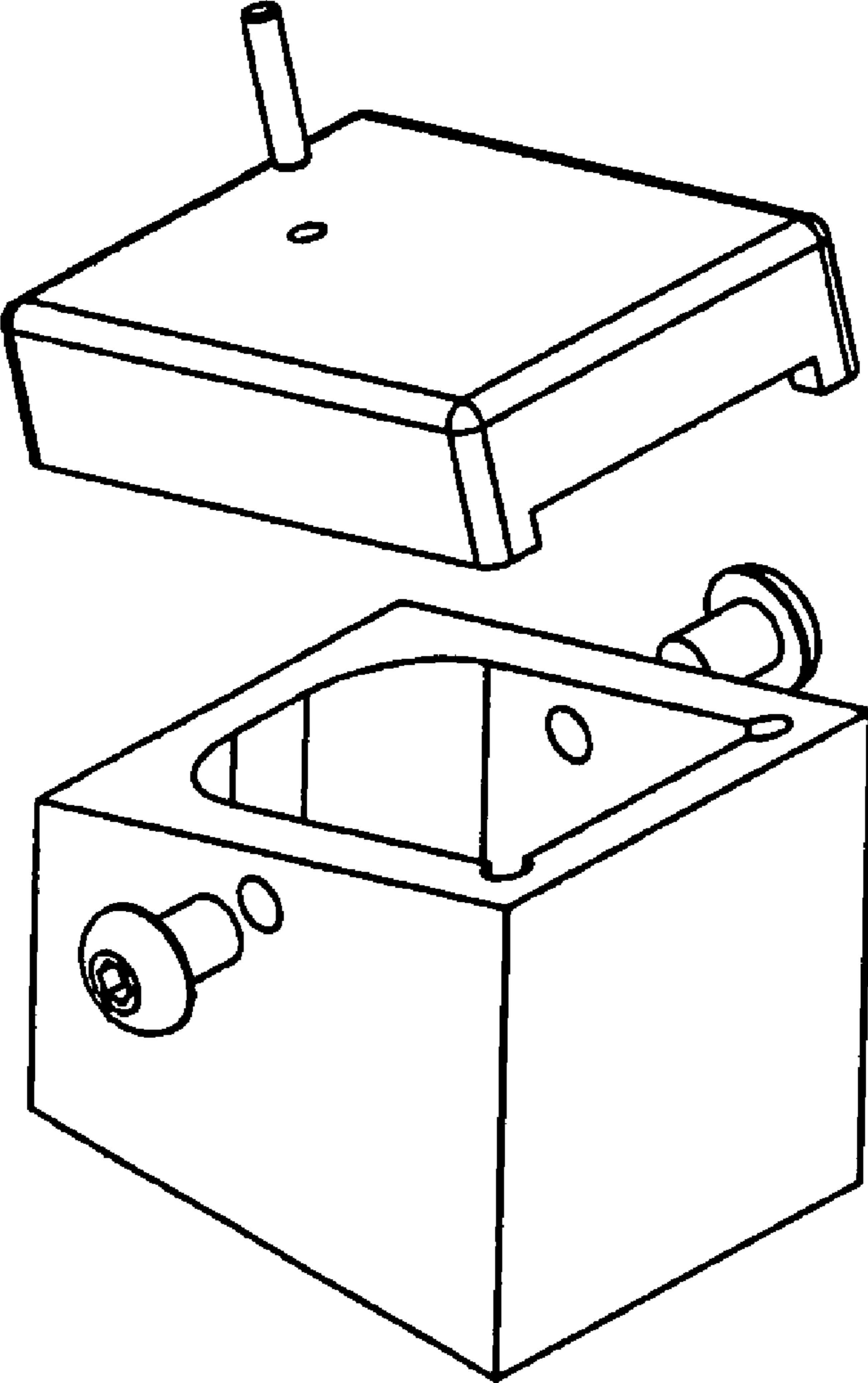


Fig. 6

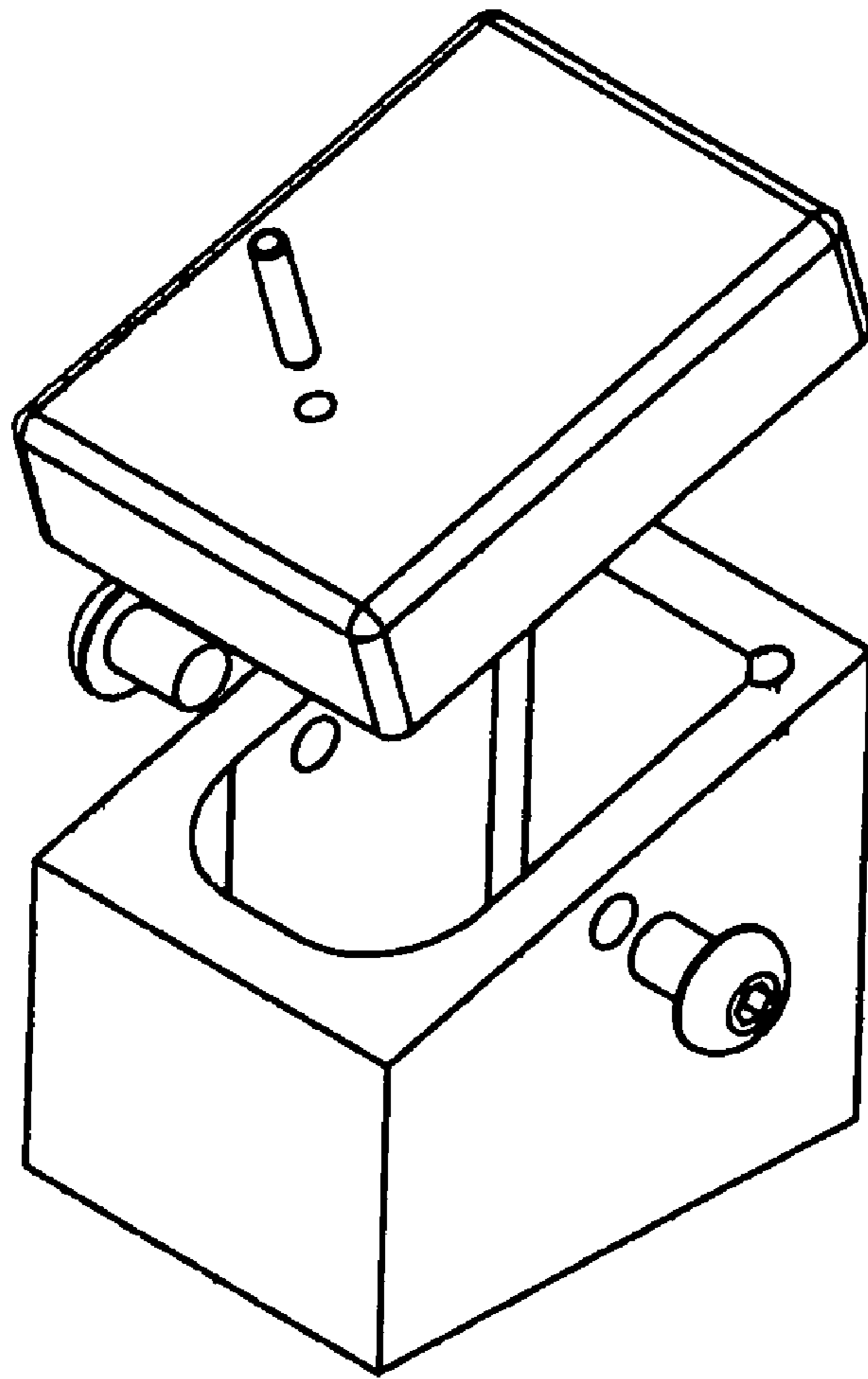


Fig. 7

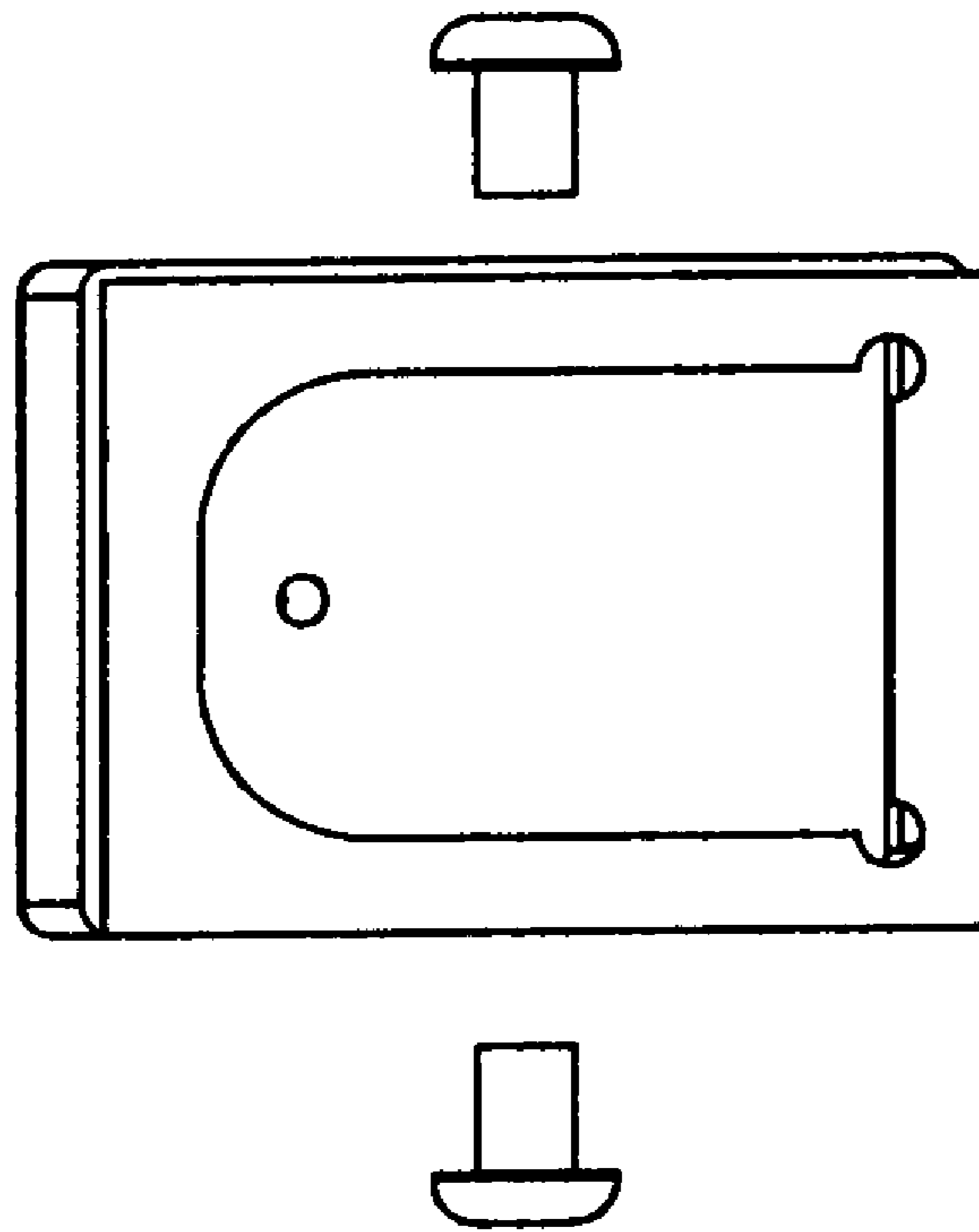


Fig. 8

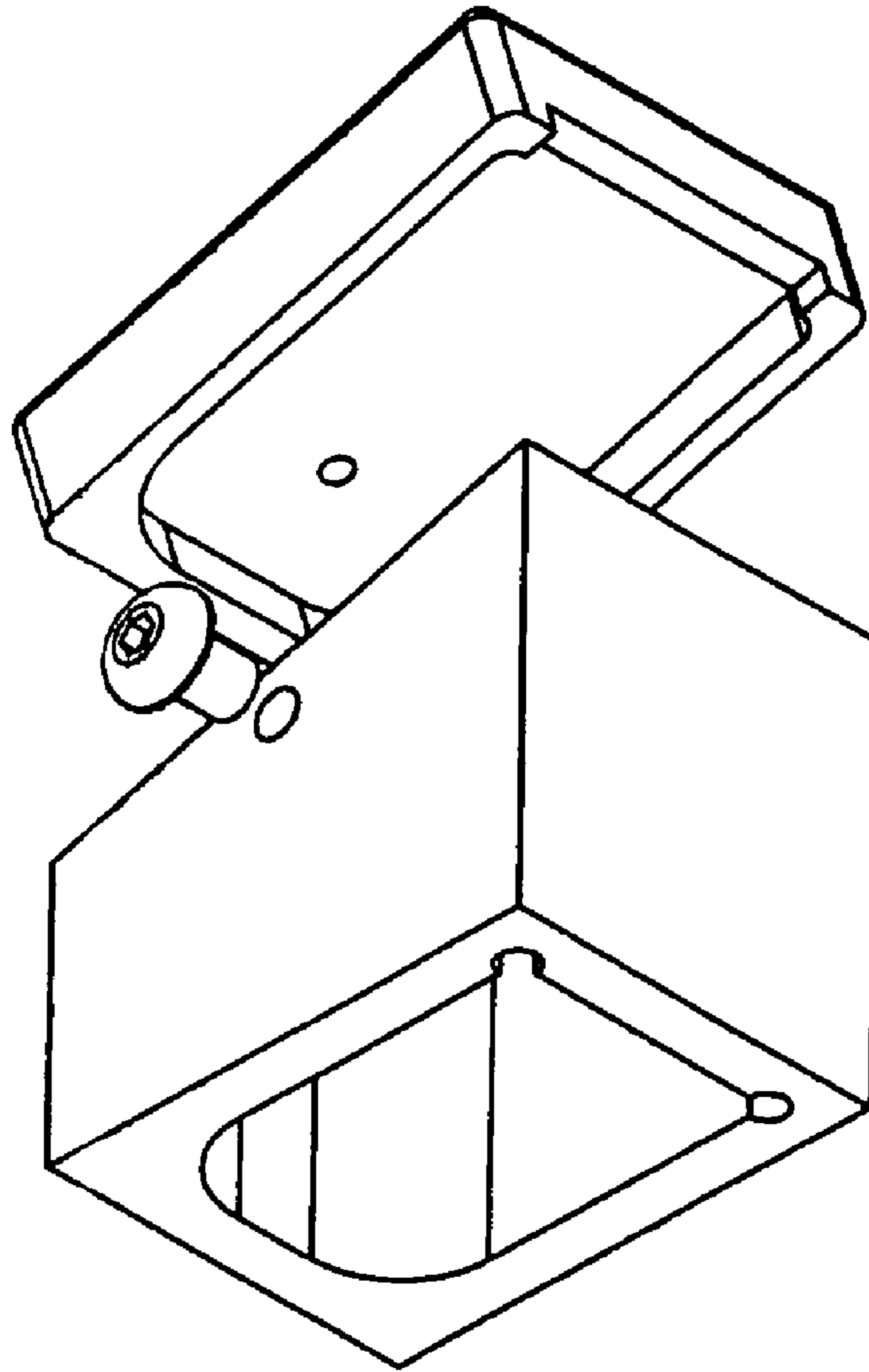


Fig. 9

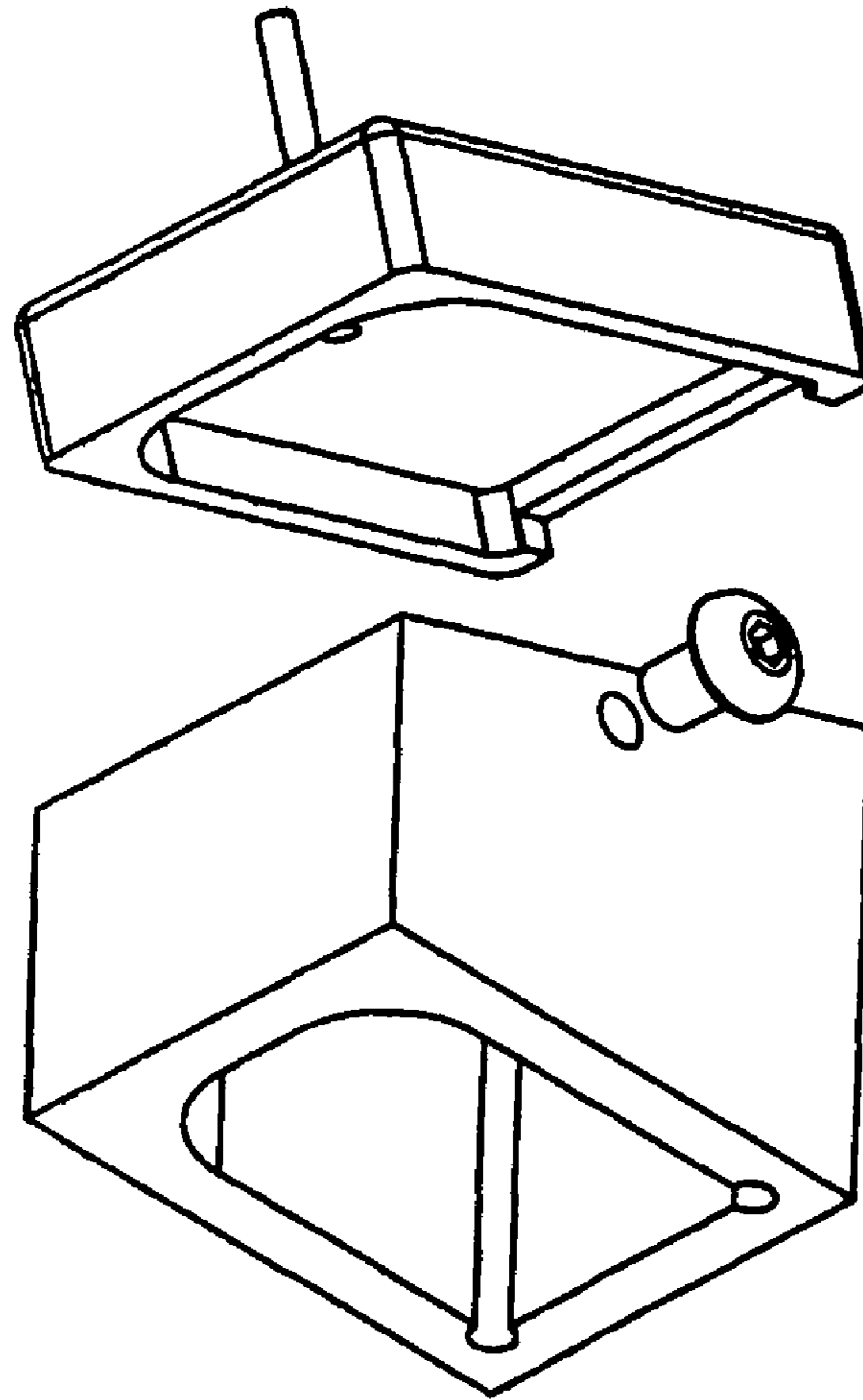


Fig. 10

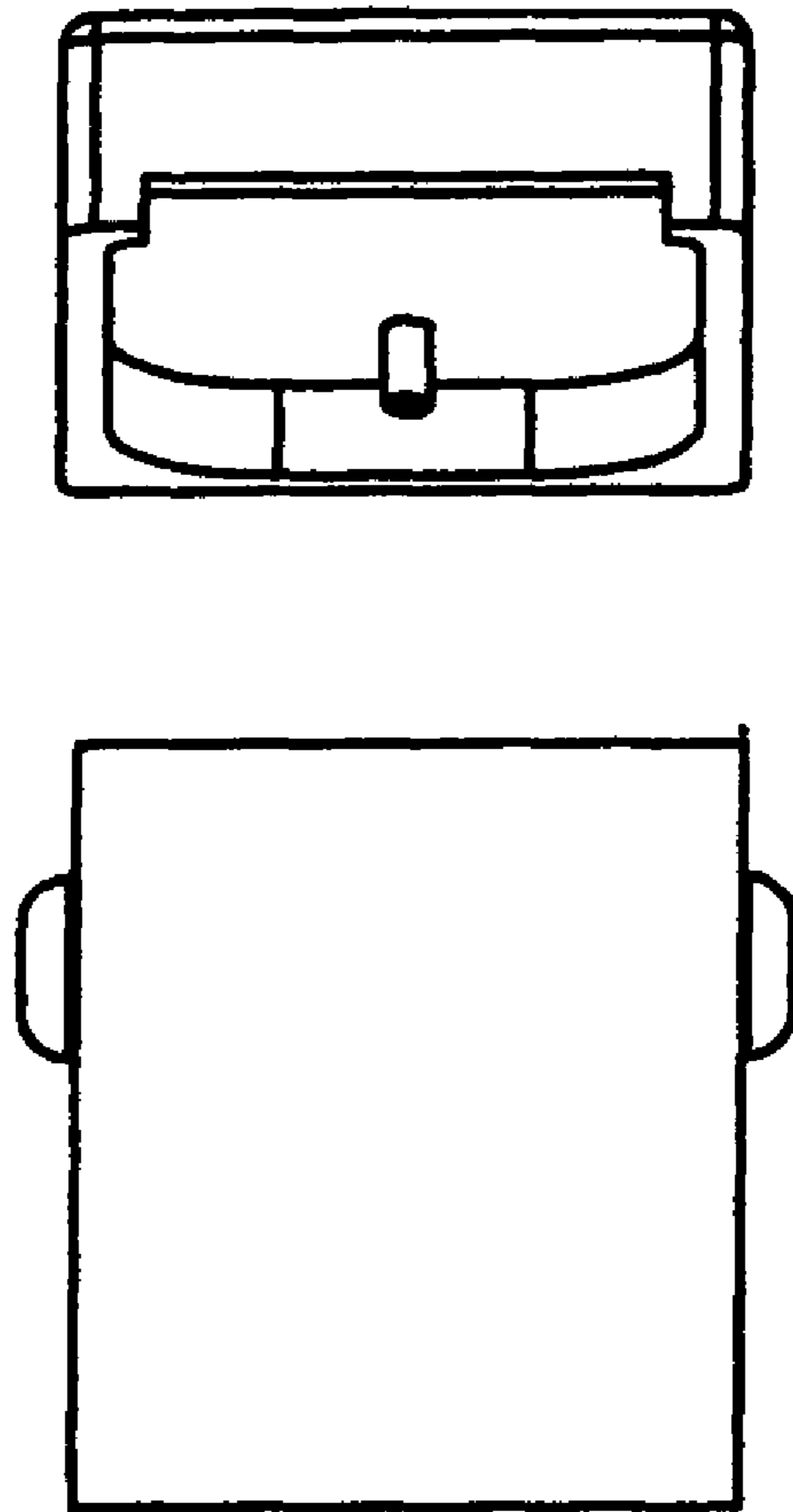


Fig. 11

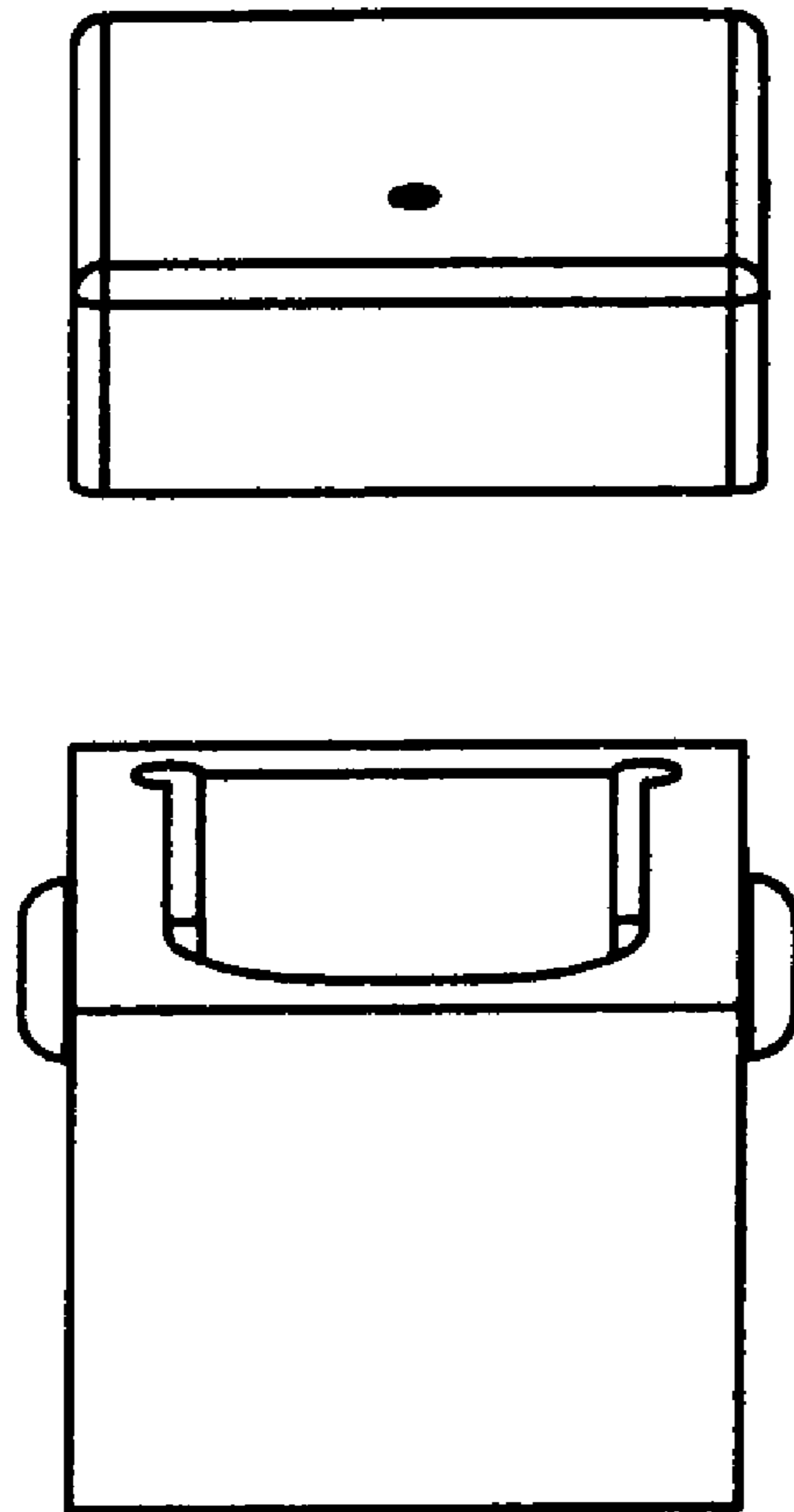


Fig. 12