



US00D641452S

(12) **United States Design Patent**
Clos et al.

(10) **Patent No.:** **US D641,452 S**
(45) **Date of Patent:** **** Jul. 12, 2011**

(54) **FISHING LURE**
(75) Inventors: **Roger Anthony Clos**, Florence, KY (US); **Kendall Elliott Hansen**, Villa Hills, KY (US)

2,244,032 A 6/1941 Timm
2,292,592 A 8/1942 Wright
2,294,971 A 9/1942 Feininger et al.
2,502,879 A 4/1950 Nikander
2,551,221 A 5/1951 Pray
2,567,787 A * 9/1951 Sahutski 43/42.27
(Continued)

(73) Assignee: **Clos Hansen LLC**, Florence, KY (US)

(**) Term: **14 Years**

FOREIGN PATENT DOCUMENTS

FR 2 741 508 5/1997
(Continued)

(21) Appl. No.: **29/378,301**

(22) Filed: **Nov. 2, 2010**

OTHER PUBLICATIONS

(51) **LOC (9) Cl.** **22-05**
(52) **U.S. Cl.** **D22/132**
(58) **Field of Classification Search** D22/126-133;
43/42.27, 42.25, 42.26, 42.28, 42.24, 42.53,
43/43.15, 42.17, 44.83, 42.36, 43.1, 42.37,
43/42.39

Bass Pro Shops, Uncle Buck's Dragon Fly Soft Bait, <http://www.basspro.com/Uncle-Bucks-Dragon-Fly-Soft-Bait/product/61656/-866118>, printed Feb. 1, 2011.

(Continued)

See application file for complete search history.

Primary Examiner — Catheri Oliver
(74) *Attorney, Agent, or Firm* — Frost Brown Todd LLC

(56) **References Cited**

(57) **CLAIM**

U.S. PATENT DOCUMENTS

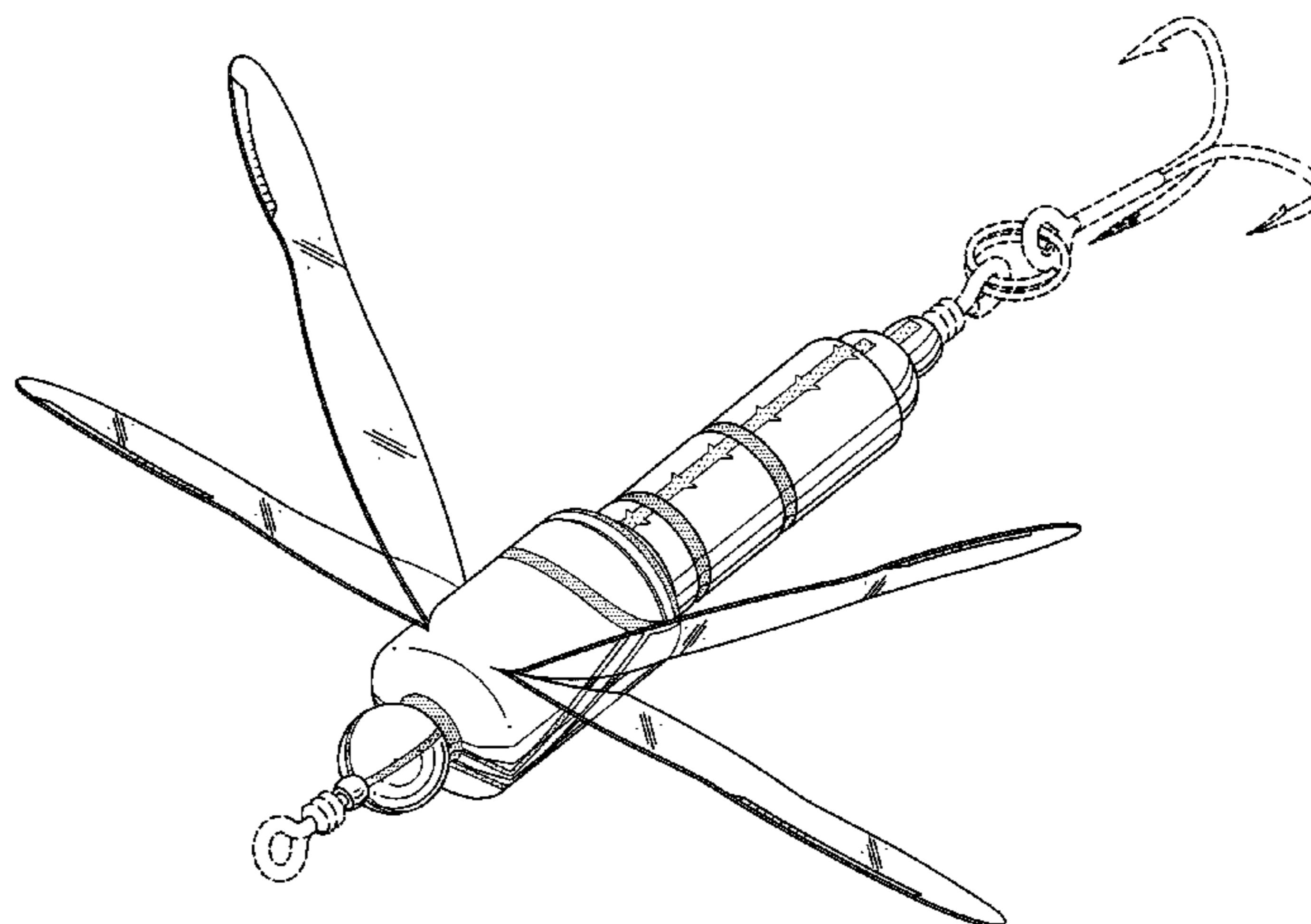
The ornamental design for a fishing lure, as shown and described.

- 361,099 A 4/1887 Warren
- 655,603 A 8/1900 Cantrell
- 934,087 A 9/1909 Moran
- 1,177,281 A 3/1916 Schweickert
- 1,444,390 A 2/1923 Rohrbach
- 1,457,926 A 6/1923 Dunkelberger
- 1,522,185 A 1/1925 Hawes
- 1,548,390 A 8/1925 Schloe
- 1,589,065 A 6/1926 Gere et al.
- 1,738,617 A 12/1929 Scharrer
- 1,830,080 A 11/1931 Allen
- 1,874,102 A 8/1932 Jacobs
- 1,906,791 A 5/1933 Grossmann
- 1,975,218 A 10/1934 Worden
- 2,000,734 A 5/1935 Accetta
- 2,112,180 A 3/1938 Stoddard
- 2,209,096 A 7/1940 Osborn
- 2,216,688 A 10/1940 Harvey
- 2,224,389 A 12/1940 Haselwood
- 2,242,708 A 5/1941 Lancaster

DESCRIPTION

FIG. 1 is a top perspective view of a fishing lure, showing my new design.
FIG. 2 is bottom perspective view thereof.
FIG. 3 is a front elevation view thereof.
FIG. 4 is a rear elevation view thereof.
FIG. 5 is a top plan view thereof.
FIG. 6 is a bottom plan view thereof; and,
FIG. 7 is a side elevation view thereof, with the opposite side elevation view being a mirror image of the view shown.
The front and rear eyelets and hook shown in broken lines are unclaimed environments, and form no part of the claimed design.

1 Claim, 6 Drawing Sheets



US D641,452 S

Page 2

U.S. PATENT DOCUMENTS

D164,841 S 10/1951 Bolton
2,587,189 A 2/1952 McFarland
2,599,128 A 6/1952 Roberts
2,603,025 A 7/1952 Brown
2,611,206 A 9/1952 Harvey
2,612,717 A 10/1952 Kuehnel
2,633,660 A 4/1953 Ray
D175,545 S 9/1955 Haynes
2,719,377 A 10/1955 Bennett
2,757,476 A 8/1956 Pender
2,795,886 A 6/1957 Johnson
2,938,294 A 5/1960 Bachmann
3,871,122 A 3/1975 Jacobs
4,594,806 A 6/1986 Brown
D296,124 S 6/1988 Moser
4,777,760 A 10/1988 Akaishi et al.
5,209,008 A * 5/1993 Kasznica 43/42.53
5,934,008 A 8/1999 Rice
5,956,887 A 9/1999 Mostovsky
6,212,817 B1 4/2001 Tanaka et al.
6,430,866 B1 8/2002 Chiaro
D554,228 S * 10/2007 Robertson D22/126

2005/0034354 A1 2/2005 Lunt et al.
2007/0017145 A1 1/2007 Burt et al.
2008/0202016 A1 8/2008 Robertson

FOREIGN PATENT DOCUMENTS

GB 22989 6/1909
GB 106505 5/1917
GB 289725 5/1928
GB 569147 5/1945
GB 2 238 938 6/1991

OTHER PUBLICATIONS

Ebay.com, Franks Extra Store, Fly Fishing 2³/₄ Inch Red Dragon Fly
1/10 oz. Lure, http://cgi.ebay.com.sg/FLY-FISHING-2-3-4-INCH-RED-DRAGON-FLY-1-10-OZ-LURE-/130379644169?pt=LH_DefaultDomain_0&hash=item1e5b3b7d09, printed Feb. 1, 2011.
Ebay.com, Franks Extra Store, Super Great King Dragon Fly 4"
Bass/Pike Lure, http://cgi.ebay.com.sg/SUPER-GREAT-KING-DRAGON-FLY-4-BASS-PIKE-LURE-/380277635239?pt=LH_DefaultDomain_0&hash=item588a5038a7, printed Feb. 1, 2011.
LandBigFish.com, River2Sea Dragonfly Popper, <http://www.landbigfish.com/showcase.cfm?PID=3590>, printed Feb. 1, 2011.

* cited by examiner

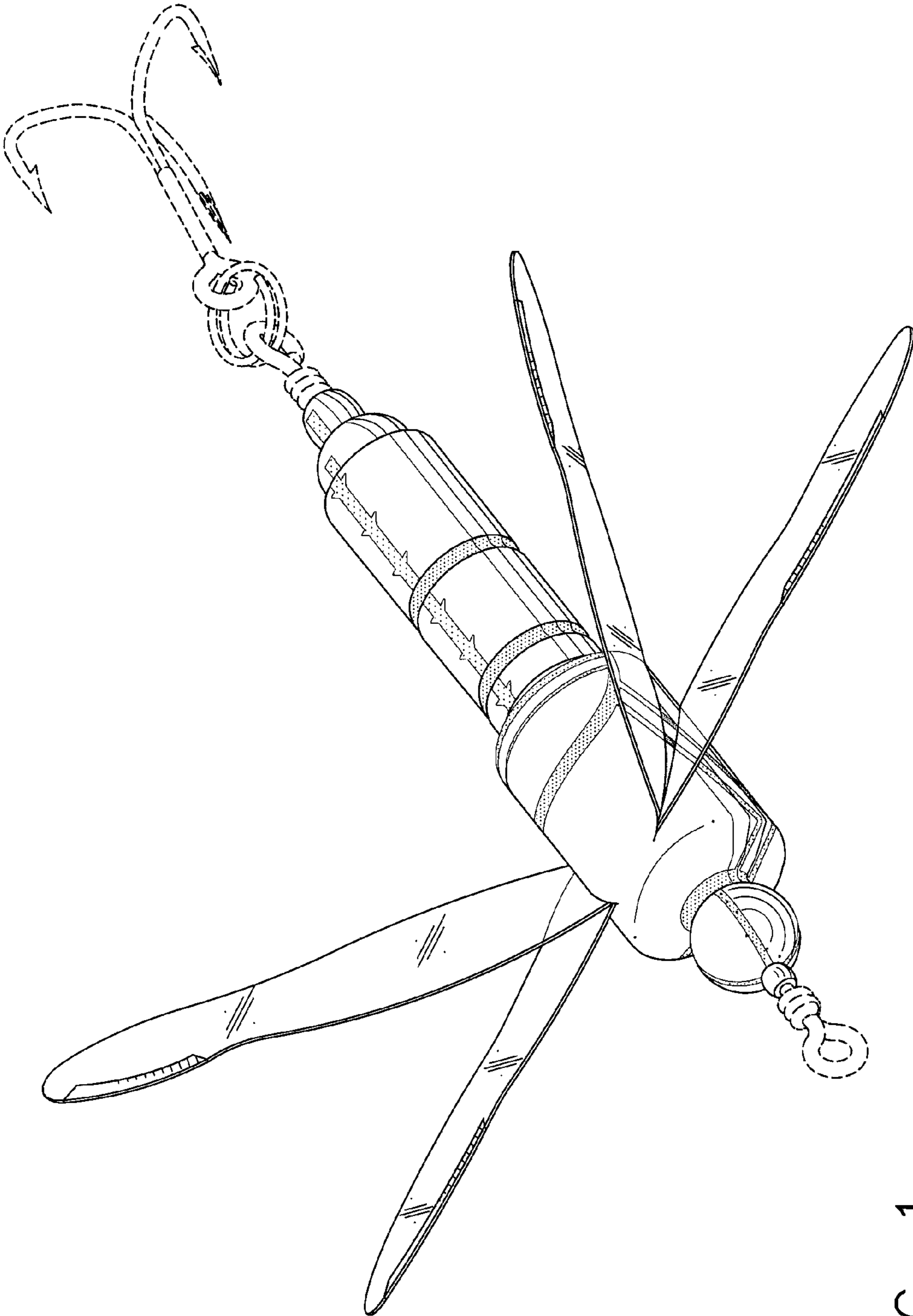


FIG. 1

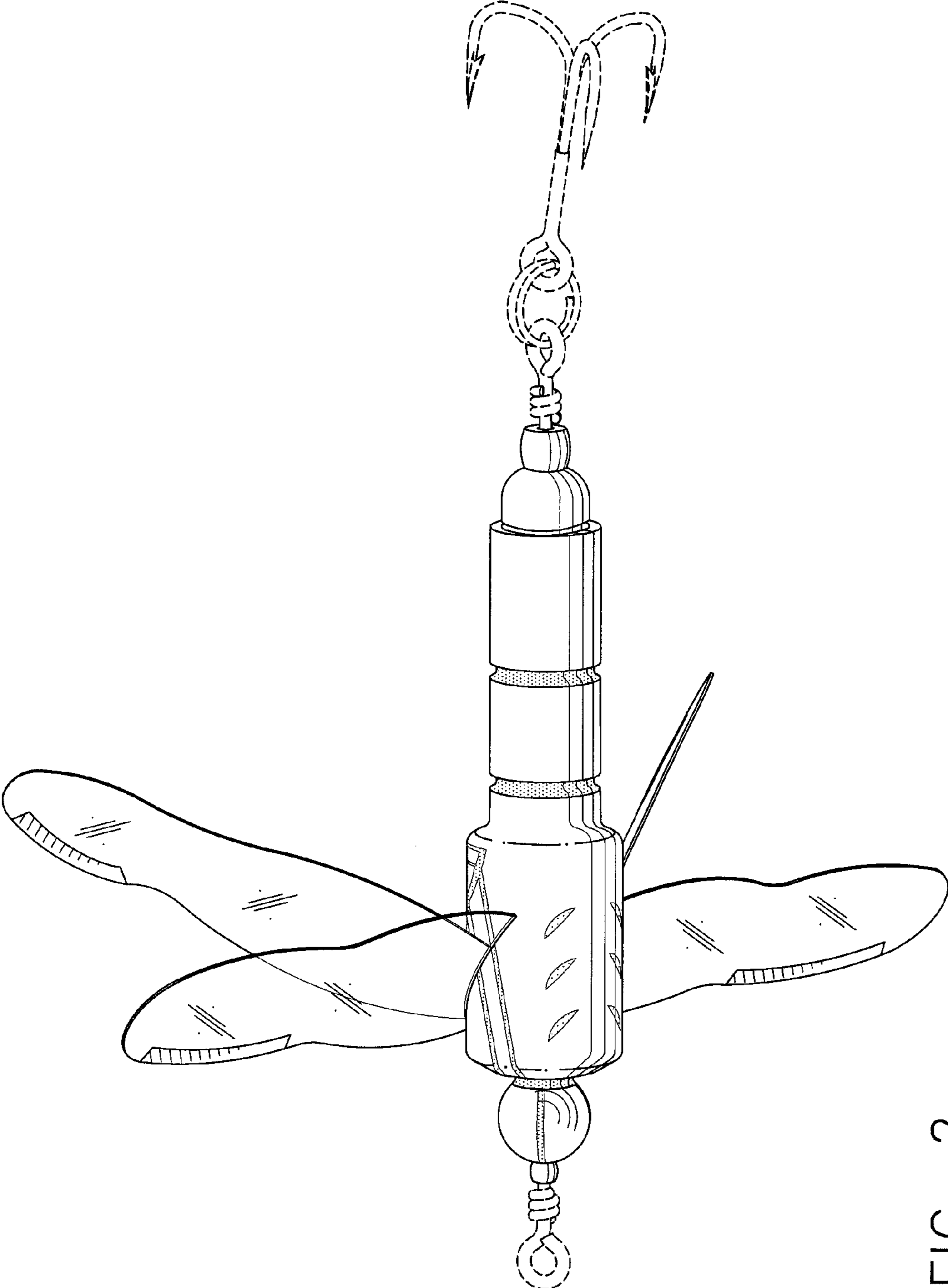


FIG. 2

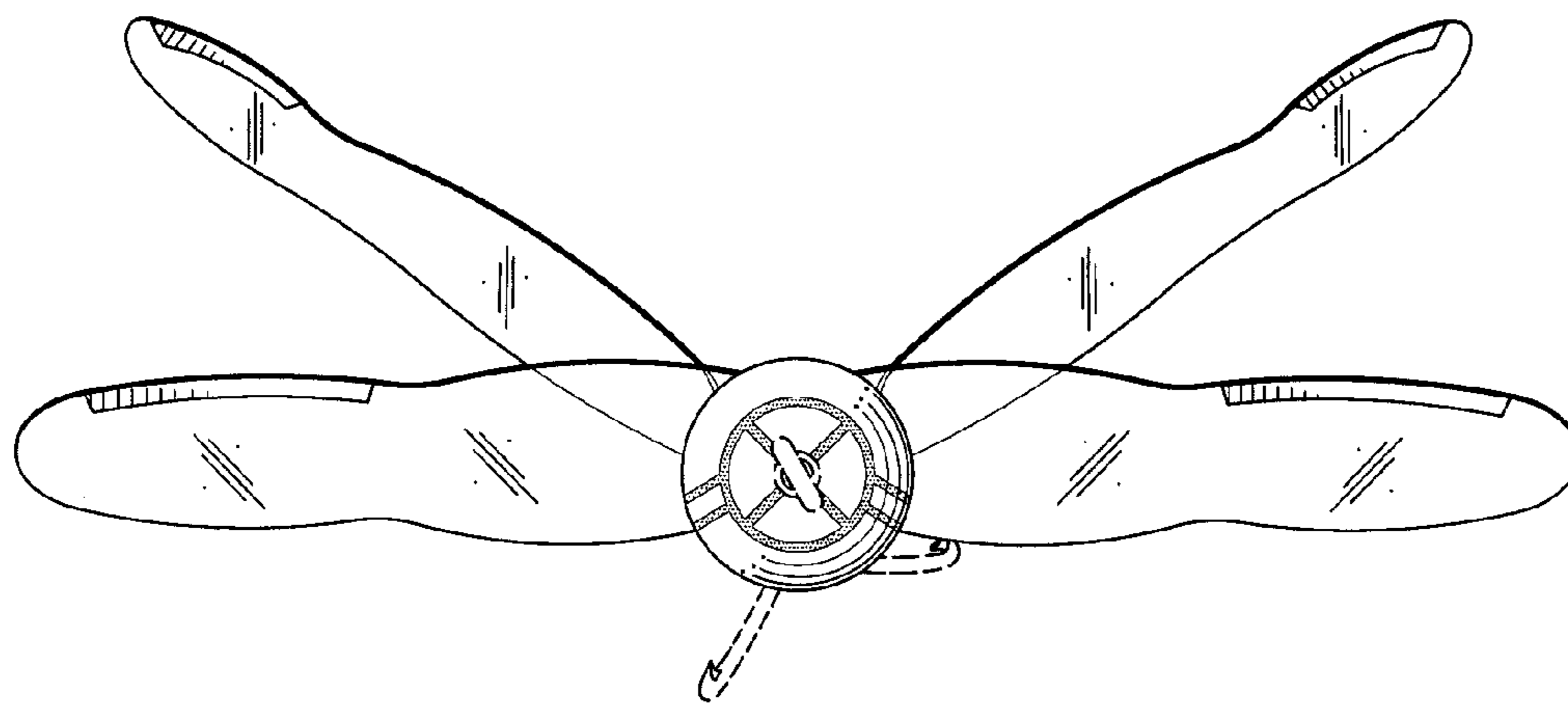


FIG. 3

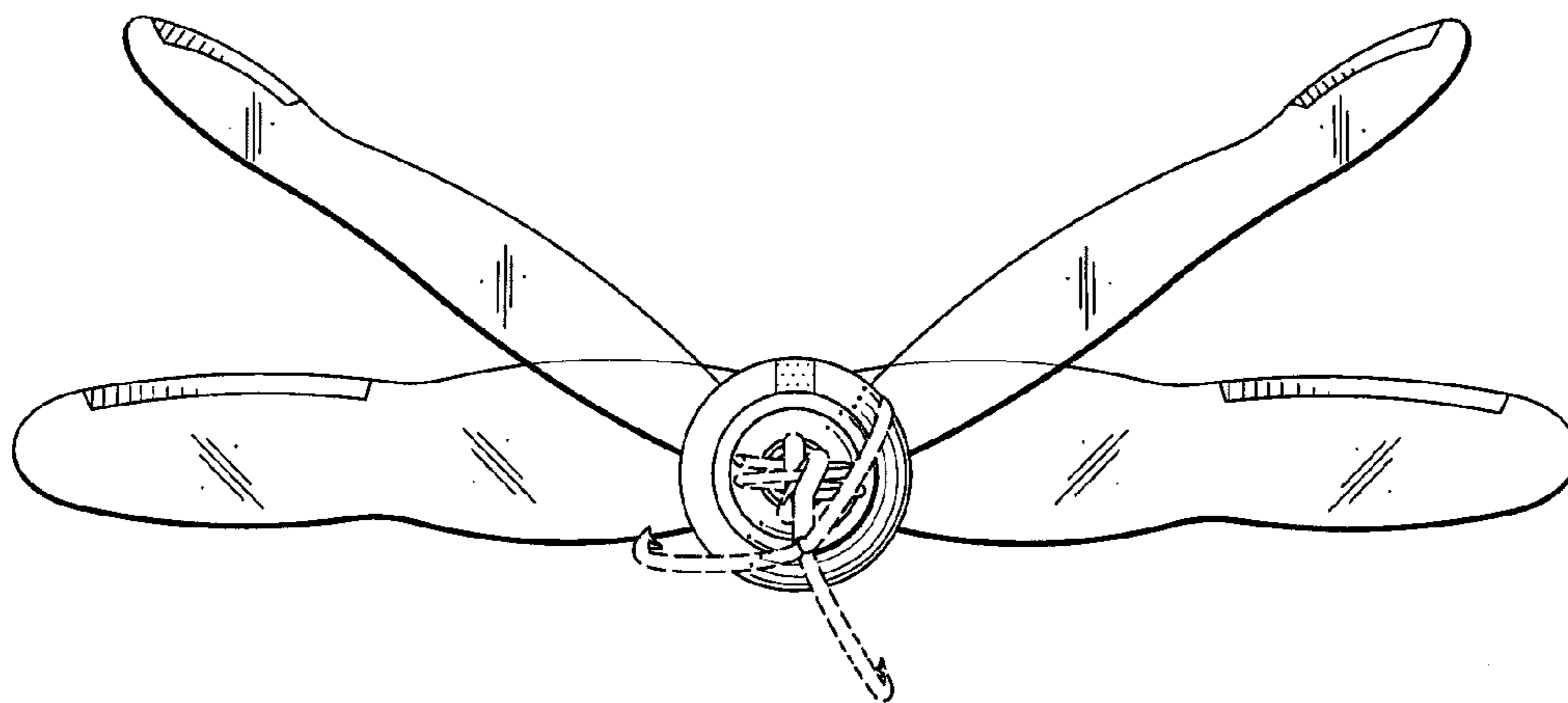


FIG. 4

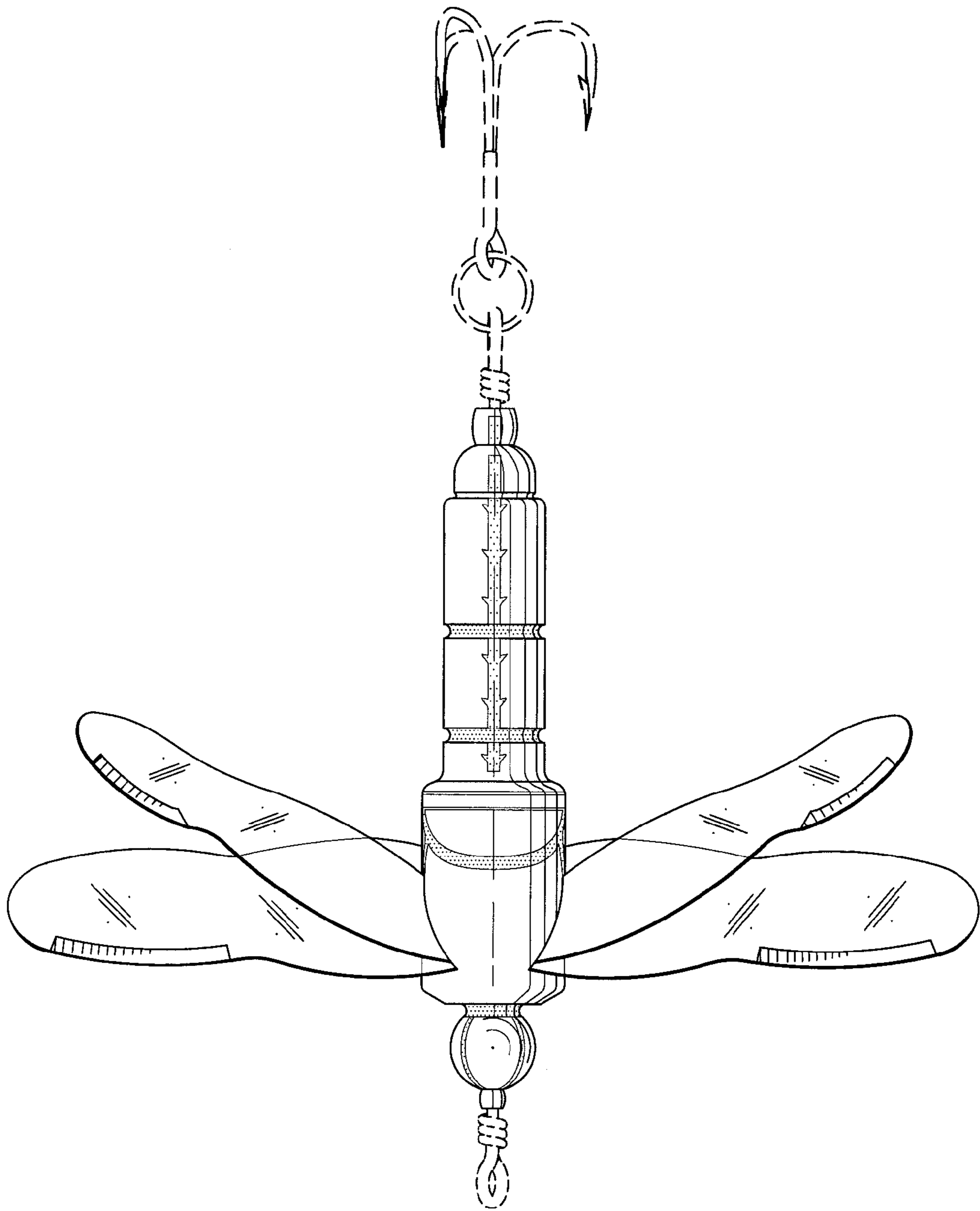


FIG. 5

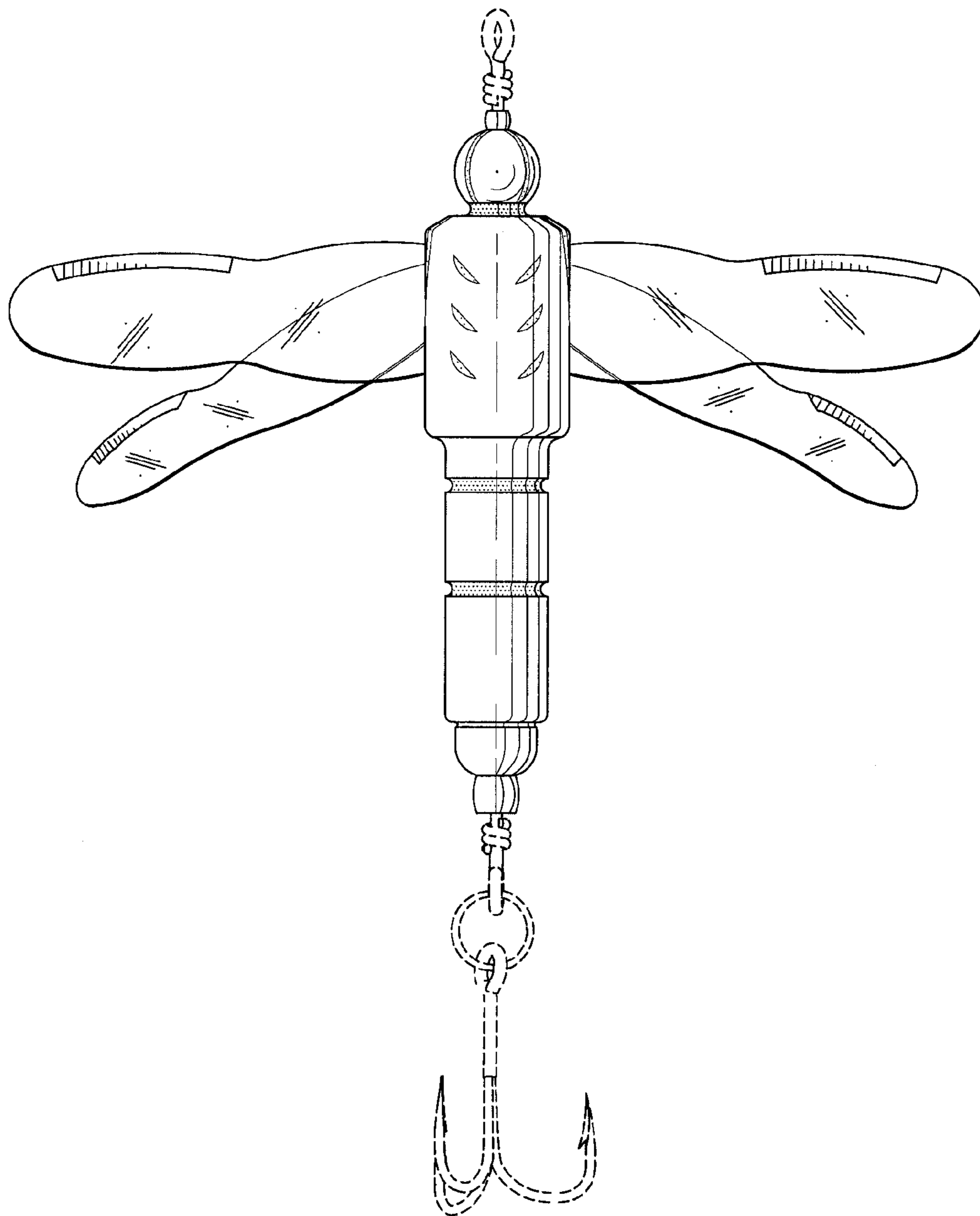


FIG. 6

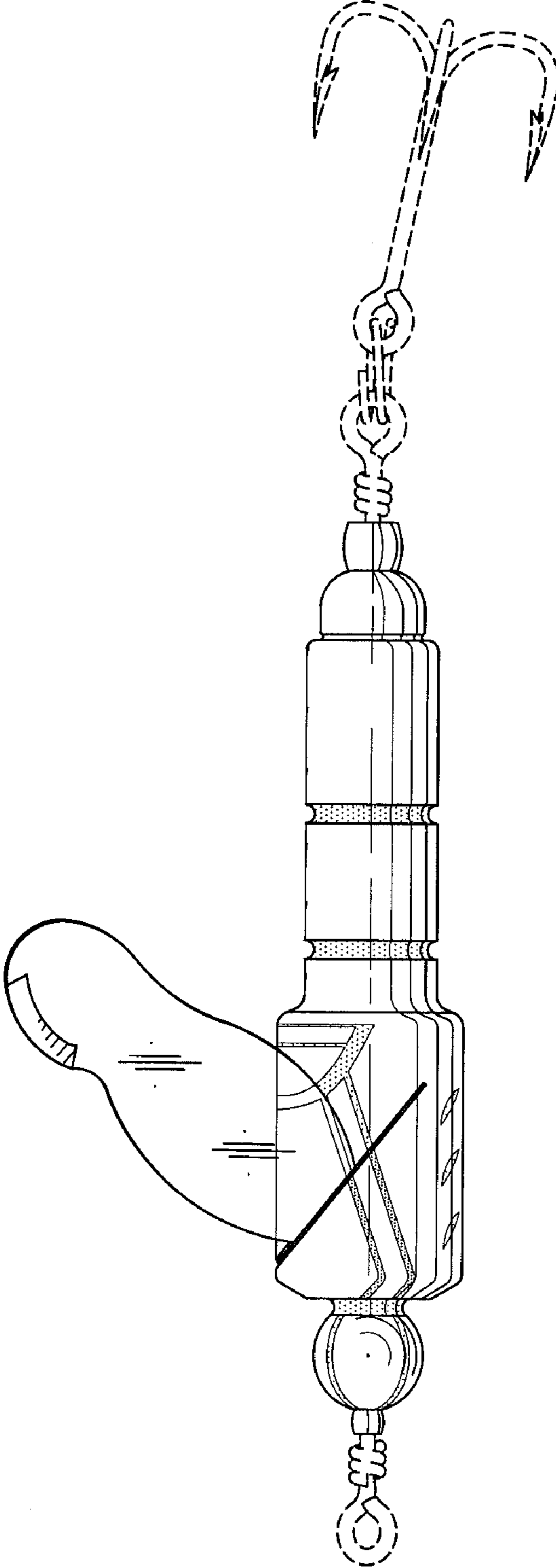


FIG. 7