



US00D641451S

(12) **United States Design Patent**
Gomez et al.

(10) **Patent No.:** **US D641,451 S**
(45) **Date of Patent:** **** Jul. 12, 2011**

(54) **BOLT CARRIER**

(75) Inventors: **Jesus S. Gomez**, Trappe, MD (US);
Jason Lee Miller, Hurlock, MD (US);
Robert S. Schilling, Easton, MD (US);
Michael R. Llewellyn, Salisbury, MD (US)

(73) Assignee: **LWRC International, LLC**,
Cambridge, MD (US)

(**) Term: **14 Years**

(21) Appl. No.: **29/371,221**

(22) Filed: **Dec. 2, 2010**

Related U.S. Application Data

(63) Continuation of application No. 12/801,001, filed on
May 14, 2010.

(51) **LOC (9) Cl.** **22-01**

(52) **U.S. Cl.** **D22/108**

(58) **Field of Classification Search** D22/108;
89/17, 19, 20.2, 21, 191.01, 191.02, 192;
42/16-19

See application file for complete search history.

(56) **References Cited**

U.S. PATENT DOCUMENTS

5,551,179 A * 9/1996 Young 42/16
5,770,814 A * 6/1998 Ealovega 89/131
6,722,255 B2 * 4/2004 Herring 89/193

6,848,351 B1 * 2/2005 Davies 89/191.01
7,299,737 B2 * 11/2007 Hajjar et al. 89/188
7,316,091 B1 * 1/2008 Desomma 42/16
7,461,581 B2 * 12/2008 Leitner-Wise 89/191.01
7,634,959 B2 * 12/2009 Frickey 89/136
7,661,219 B1 * 2/2010 Knight et al. 42/70.02
7,784,211 B1 * 8/2010 Desomma 42/16
2005/0011345 A1 * 1/2005 Herring 89/1.4
2010/0319527 A1 * 12/2010 Giefing 89/185

* cited by examiner

Primary Examiner — T. Chase Nelson

Assistant Examiner — Michael Pratt

(74) *Attorney, Agent, or Firm* — Jacobson Holman PLLC

(57) **CLAIM**

The ornamental design for a bolt carrier, as shown and described.

DESCRIPTION

FIG. 1 is a perspective view showing our new design for a bolt carrier,

FIG. 2 is a right side view thereof,

FIG. 3 is a left side view thereof,

FIG. 4 is a top view thereof,

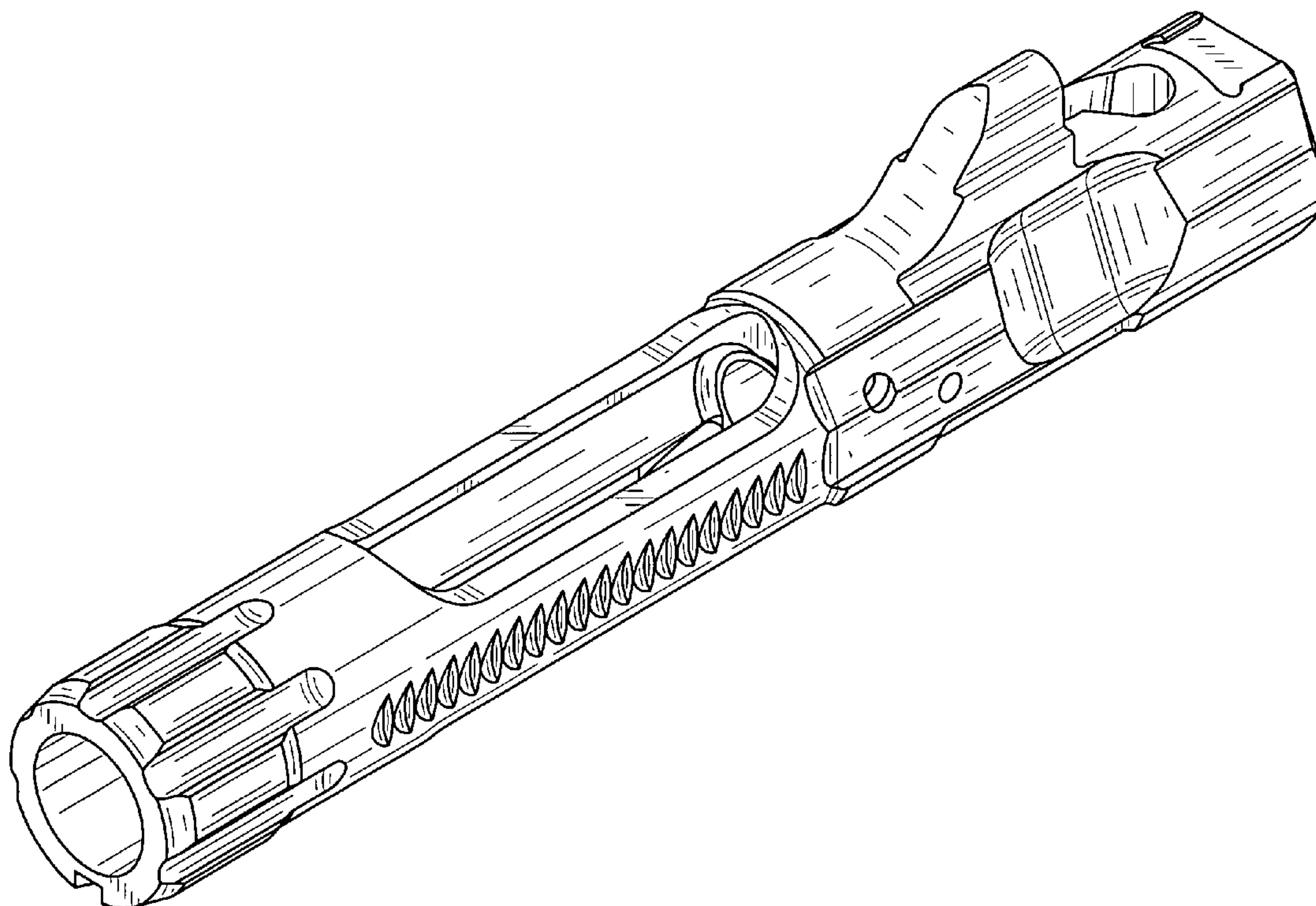
FIG. 5 is a bottom view thereof,

FIG. 6 is a front view thereof,

FIG. 7 is a rear view thereof; and,

FIG. 8 is an exploded view illustrating the bolt carrier of the present invention in its environment of use. The dotted lines are for illustrative purposes only, forming no part of the claimed design.

1 Claim, 5 Drawing Sheets



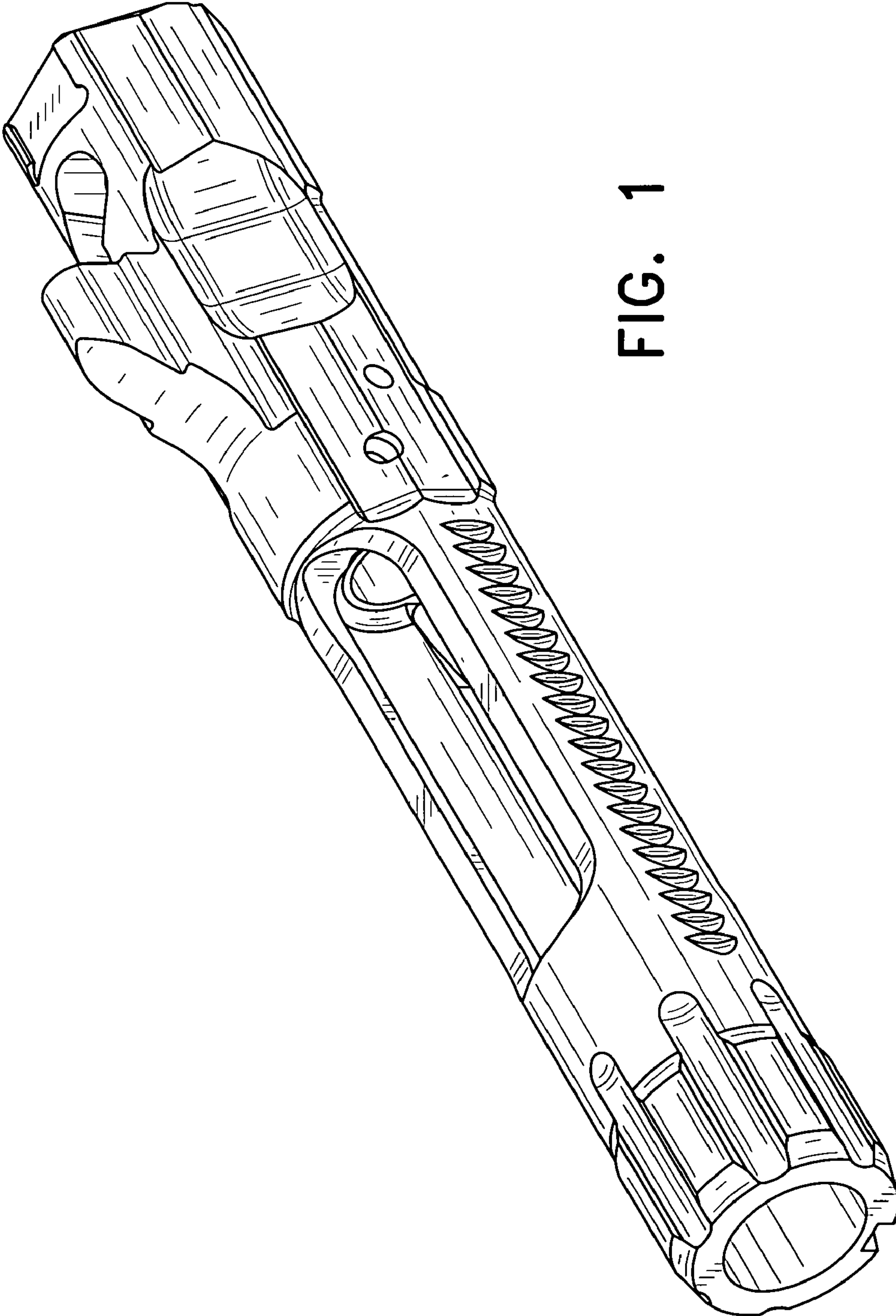


FIG. 1

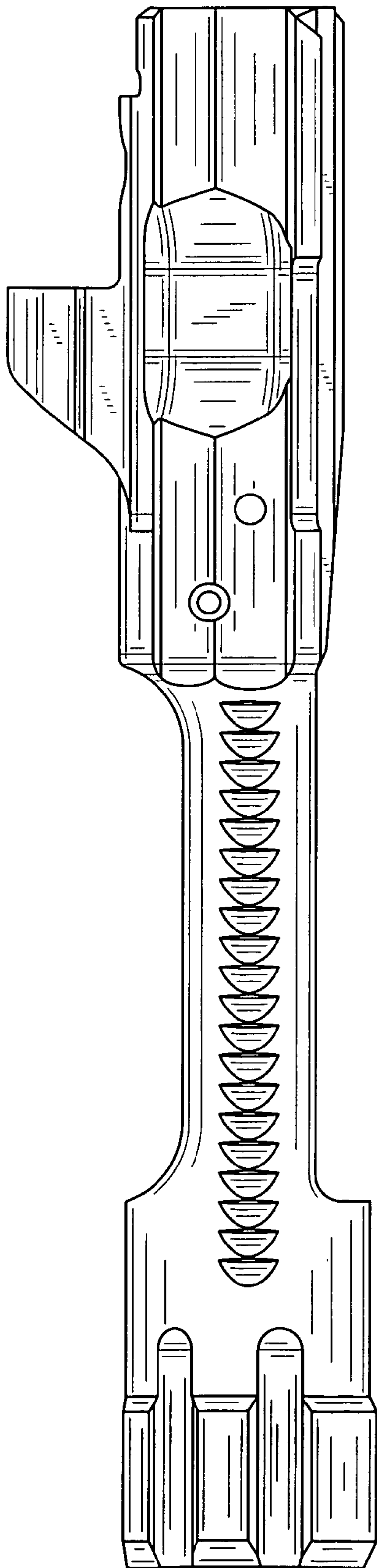


FIG. 2

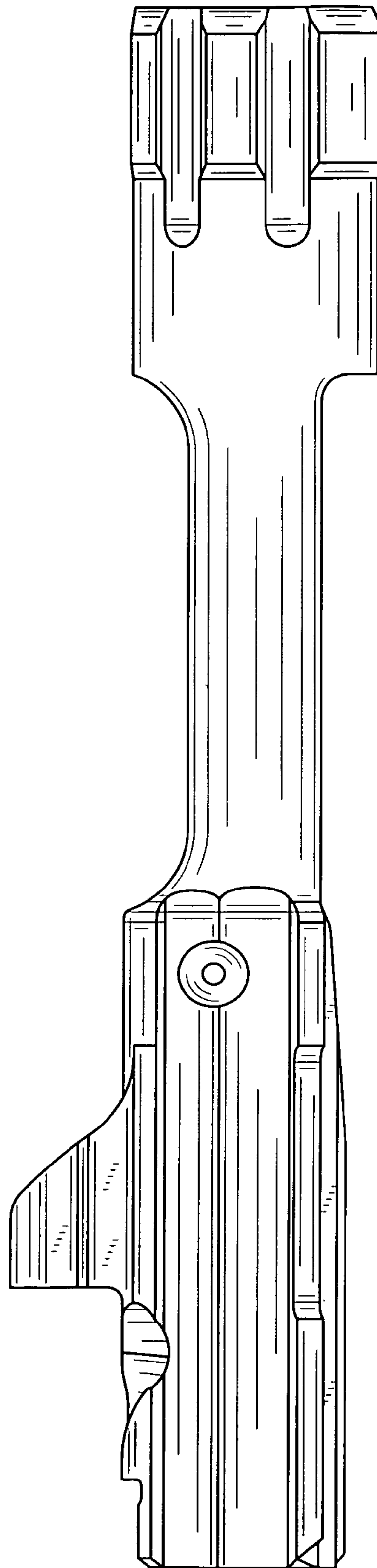


FIG. 3

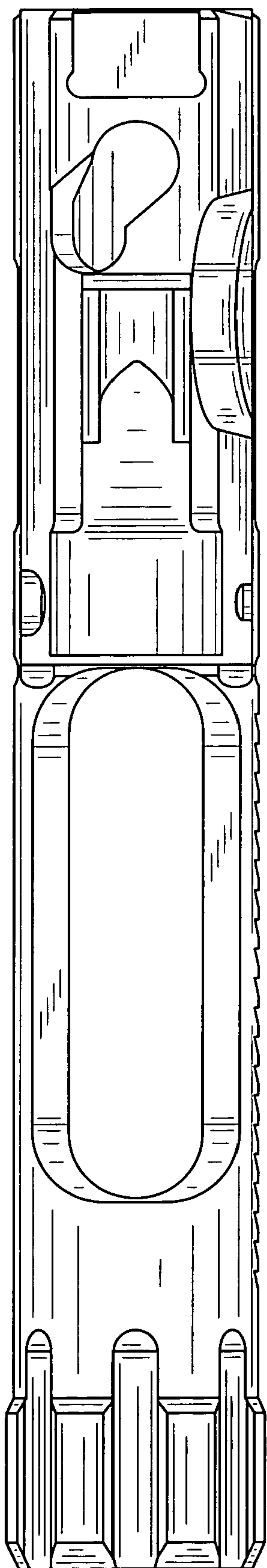


FIG. 4

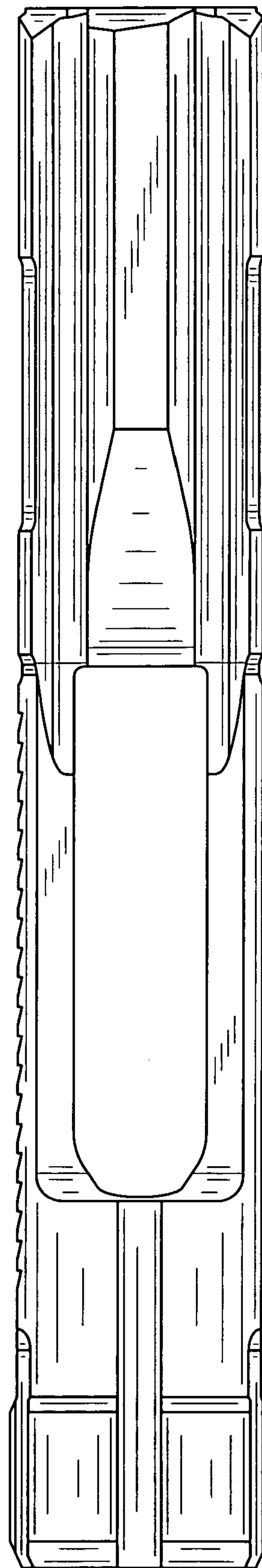


FIG. 5

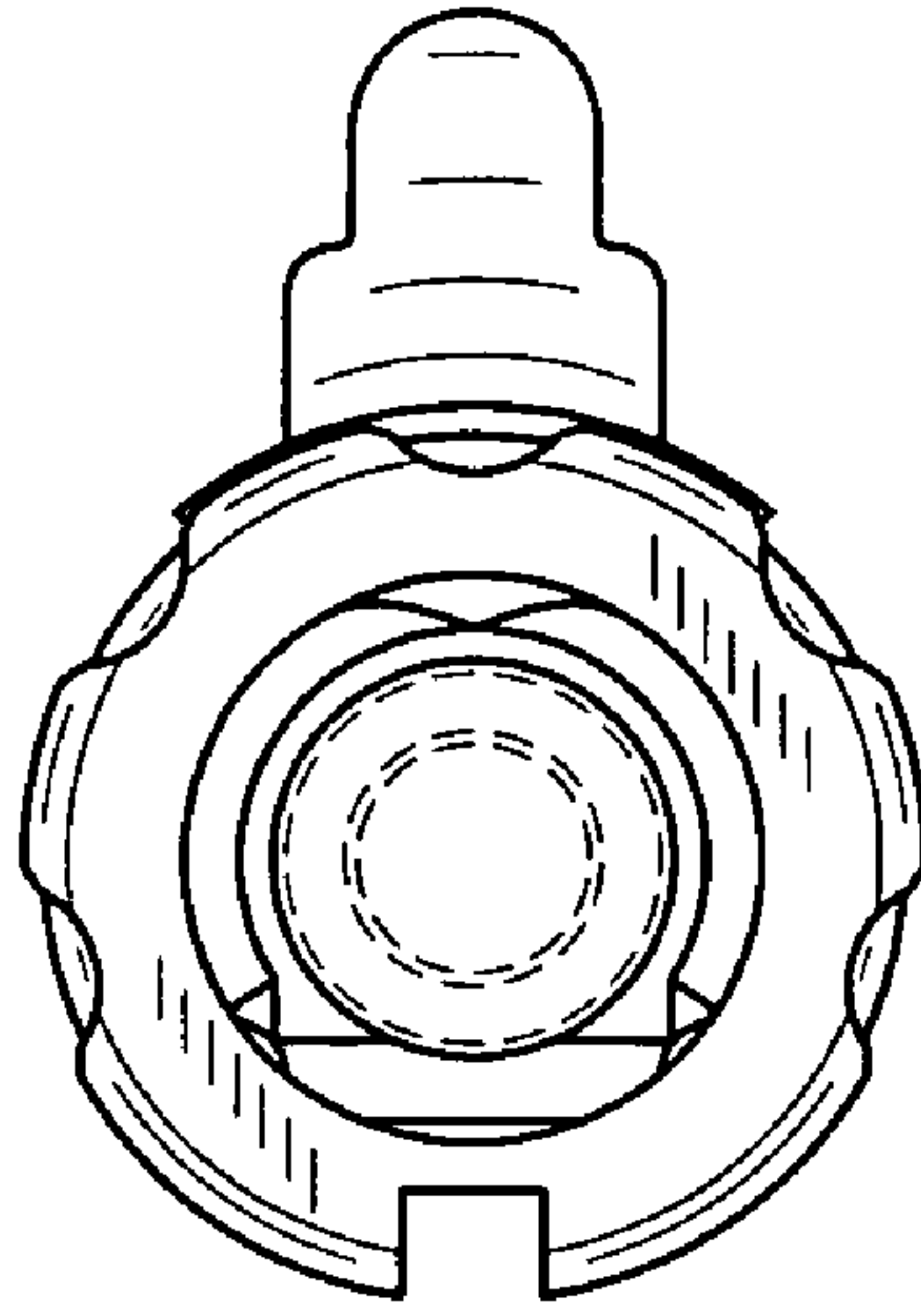


FIG. 6

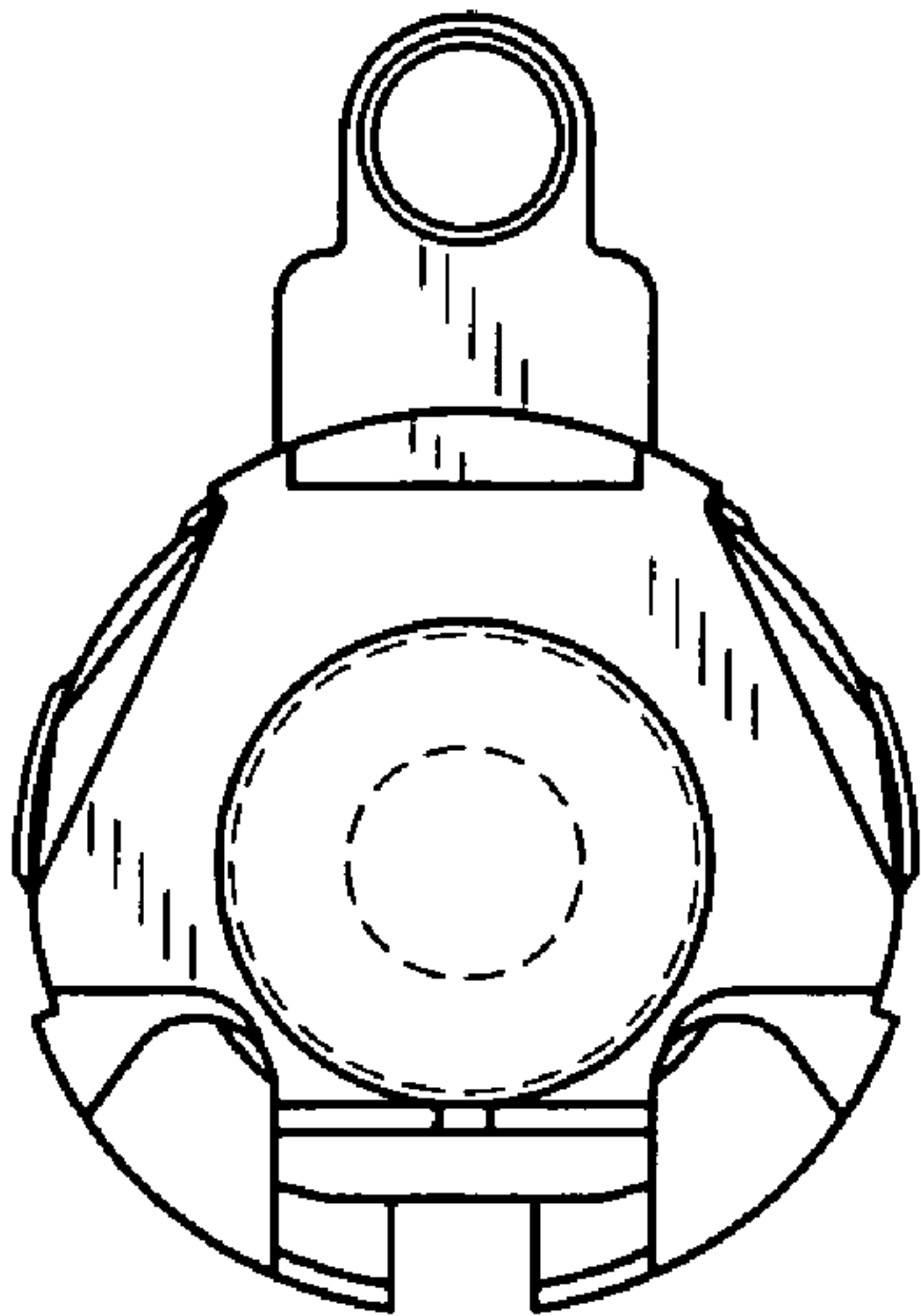


FIG. 7

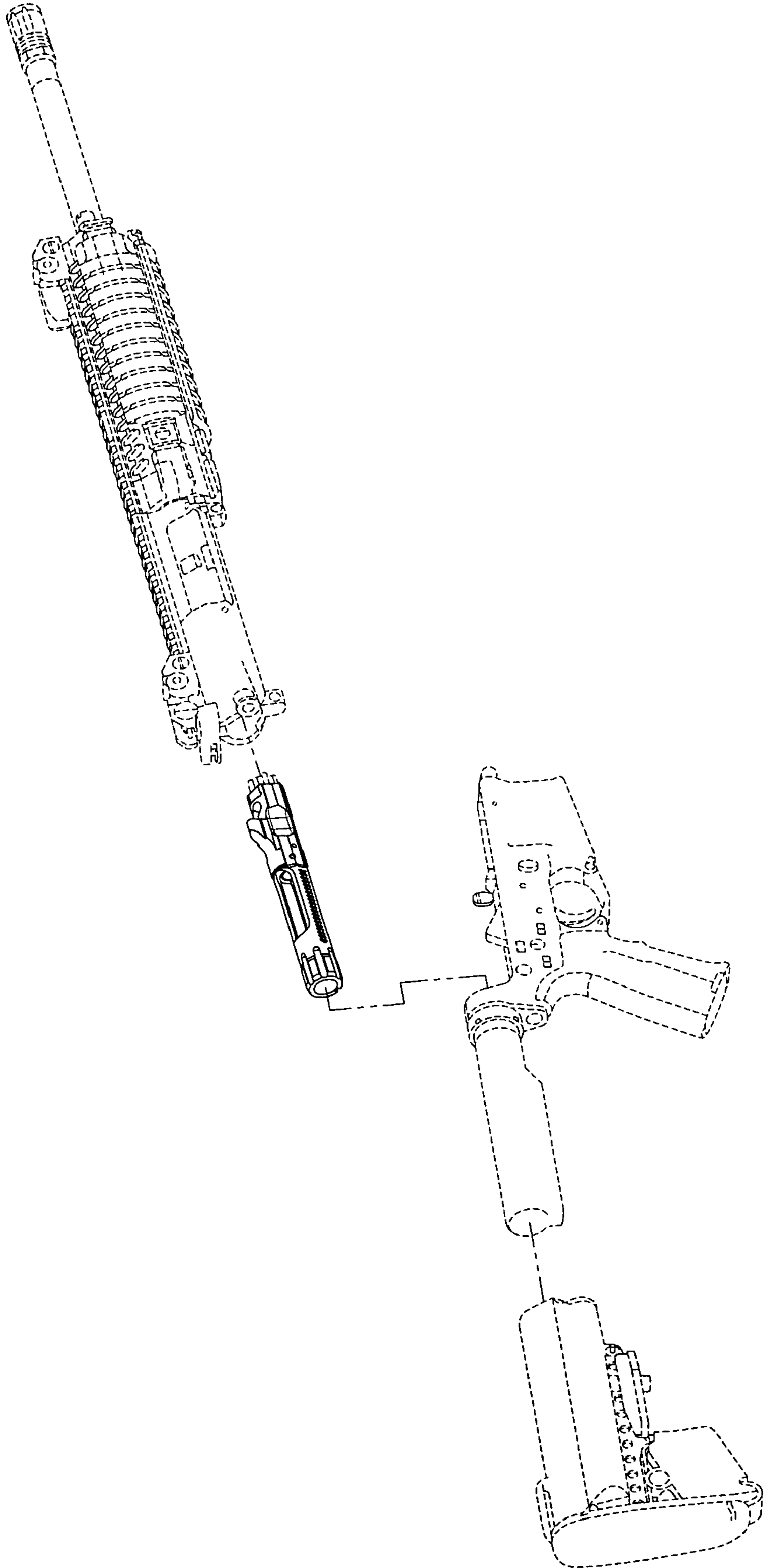


FIG. 8