



US00D641450S

(12) **United States Design Patent**  
**Ding**

(10) **Patent No.:** **US D641,450 S**  
(45) **Date of Patent:** **\*\* Jul. 12, 2011**

(54) **SYMMETRICAL SPLIT MOUNT WITHOUT SIDE RAILS**

(75) Inventor: **Tai-Lai Ding**, Northville, MI (US)

(73) Assignee: **Leapers, Inc.**, Livonia, MI (US)

(\*\*) Term: **14 Years**

(21) Appl. No.: **29/363,965**

(22) Filed: **Jun. 16, 2010**

(51) **LOC (9) Cl.** ..... **22-01**

(52) **U.S. Cl.** ..... **D22/108**

(58) **Field of Classification Search** ..... D22/100,  
D22/108, 109, 110, 199; 42/11, 113, 116,  
42/119, 124, 125, 127, 90, 145, 128, 72,  
42/106, 114, 85, 75.02, 71.01; 248/205.1,  
248/201

See application file for complete search history.

(56) **References Cited**

U.S. PATENT DOCUMENTS

6,598,330	B2 *	7/2003	Garrett et al.	42/85
6,609,321	B2	8/2003	Faifer	
6,836,990	B2	1/2005	Shiloni	
D507,619	S	7/2005	Shiloni	
7,216,451	B1 *	5/2007	Troy	42/72

D613,811	S *	4/2010	Swan	D22/108
D616,520	S *	5/2010	Starnes	D22/108
2003/0074822	A1	4/2003	Faifer	
2004/0226212	A1	11/2004	Shiloni	
2005/0000142	A1 *	1/2005	Kim et al.	42/124
2005/0241206	A1 *	11/2005	Teetzel et al.	42/72
2006/0048424	A1 *	3/2006	Weir	42/69.01
2007/0033851	A1 *	2/2007	Hochstrate et al.	42/75.01
2007/0199435	A1 *	8/2007	Hochstrate et al.	89/191.02

\* cited by examiner

*Primary Examiner* — T. Chase Nelson

*Assistant Examiner* — Michael Pratt

(74) *Attorney, Agent, or Firm* — Honigman Miller Schwartz and Cohn LLP

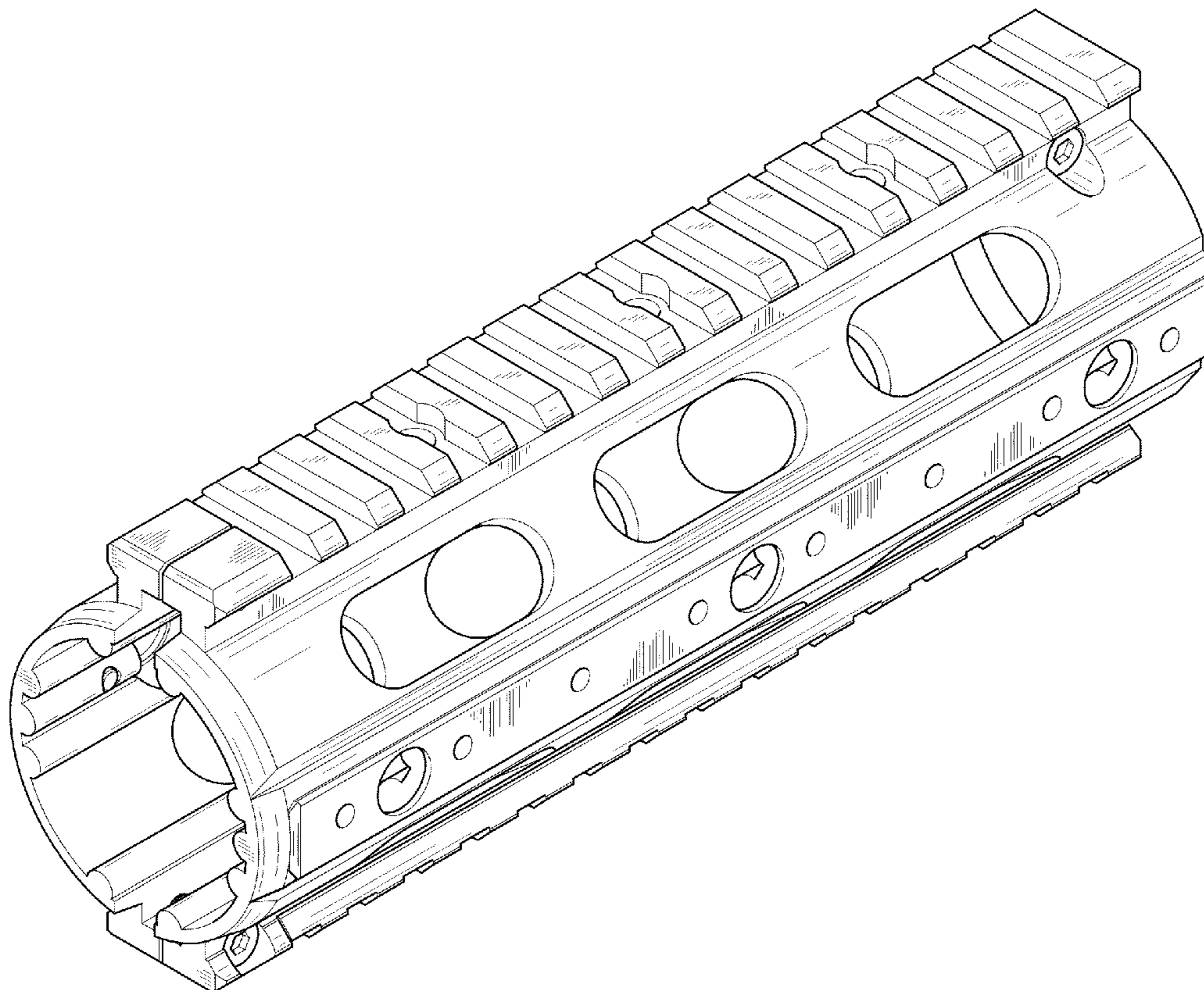
(57) **CLAIM**

The ornamental design for symmetrical split mount without side rails, as shown and described.

**DESCRIPTION**

FIG. 1 is a front-right isometric view of the mount of the present invention; FIG. 2 is a front elevational view of the mount of FIG. 1; FIG. 3 is a rear elevational view of the mount of FIG. 1; FIG. 4 is a right side elevational view of the mount of FIG. 1; FIG. 5 is a left side elevational view of the mount of FIG. 1; FIG. 6 is a top view of the mount of FIG. 1; and, FIG. 7 is a bottom view of the mount of FIG. 1.

**1 Claim, 6 Drawing Sheets**



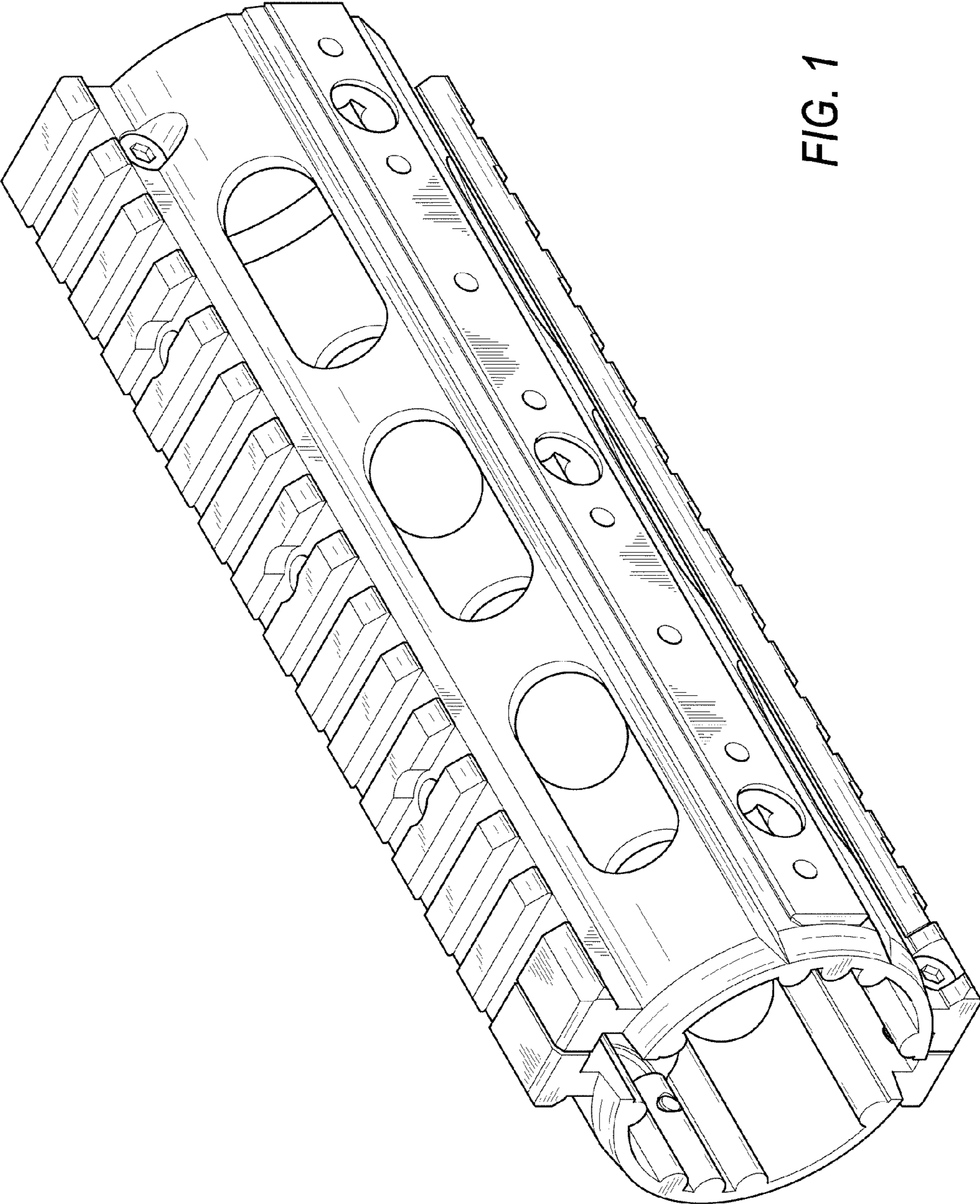


FIG. 1

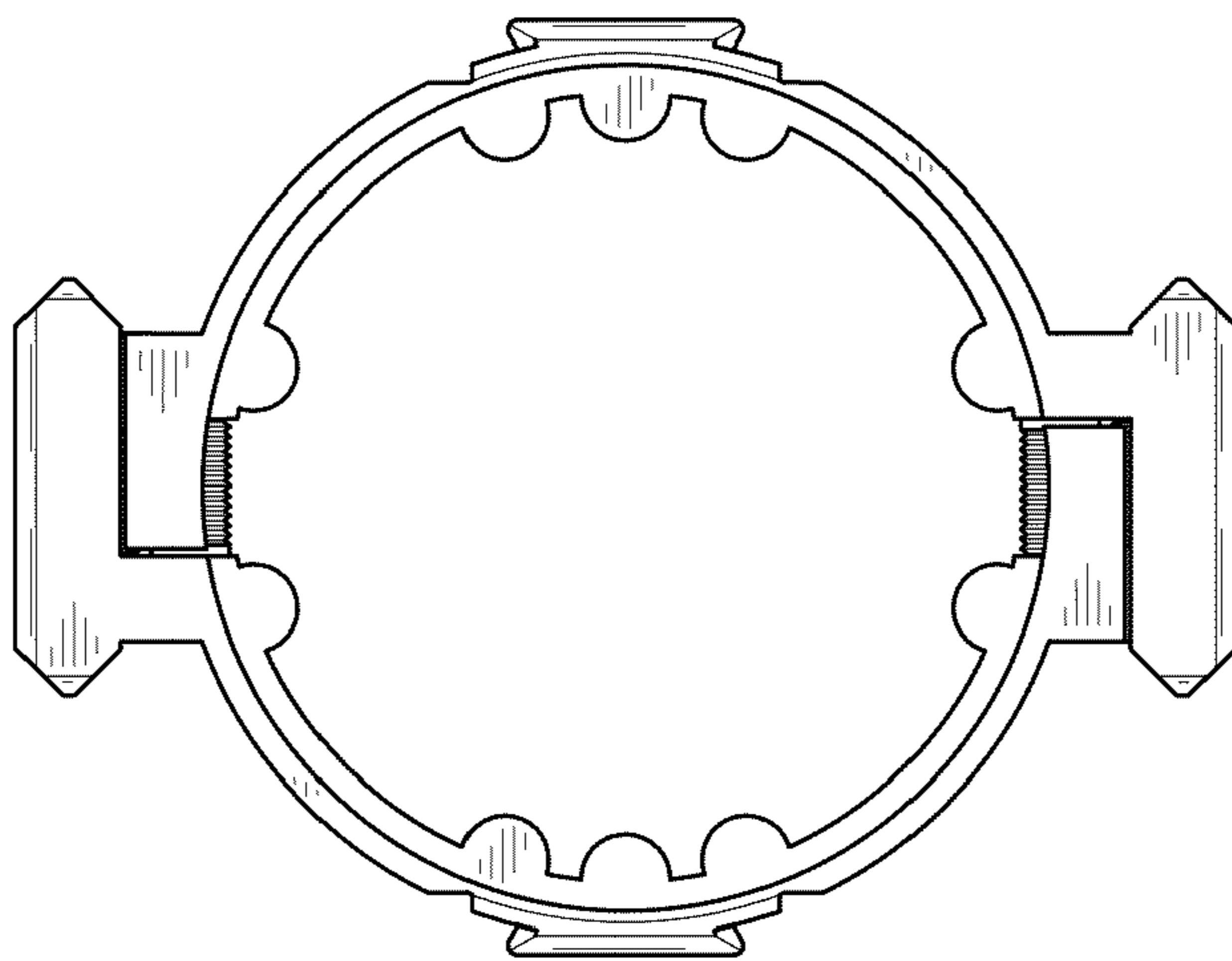


FIG. 2

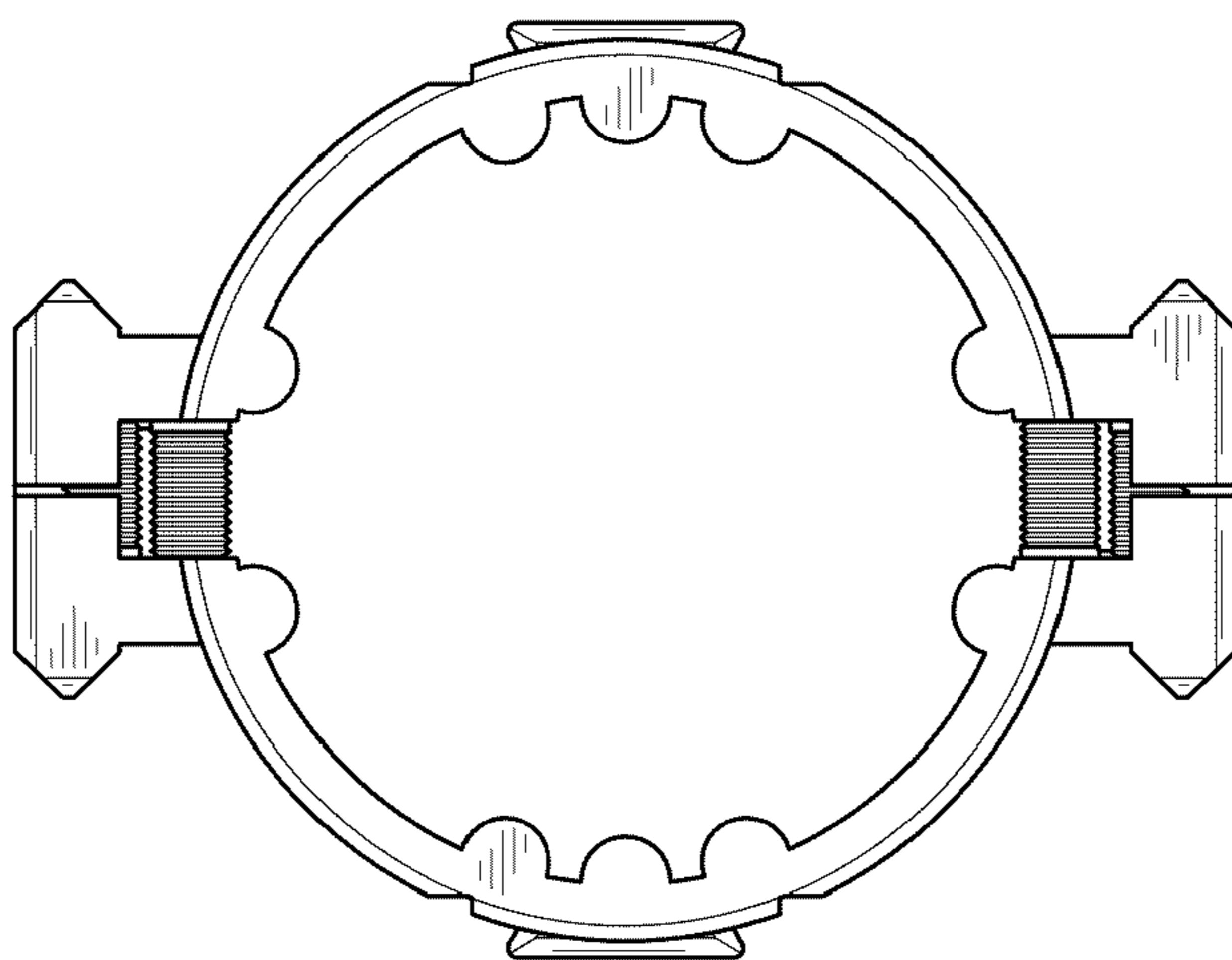


FIG. 3

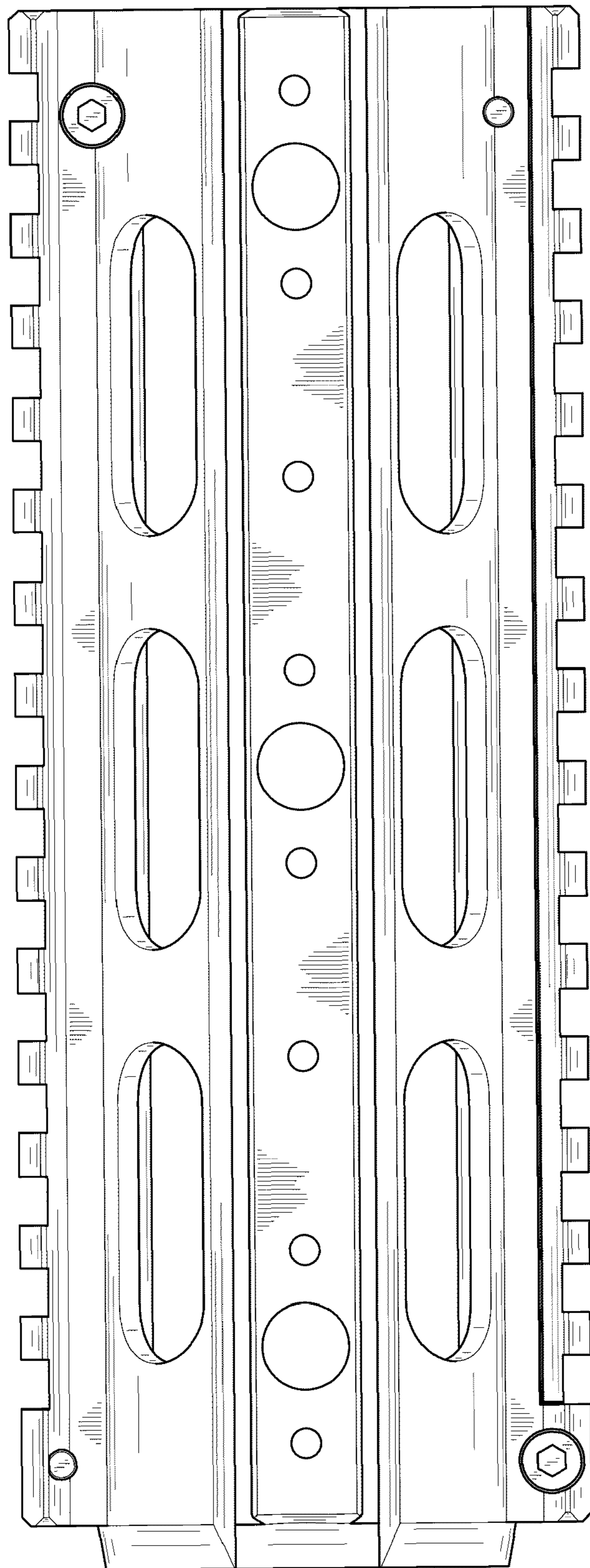


FIG. 4

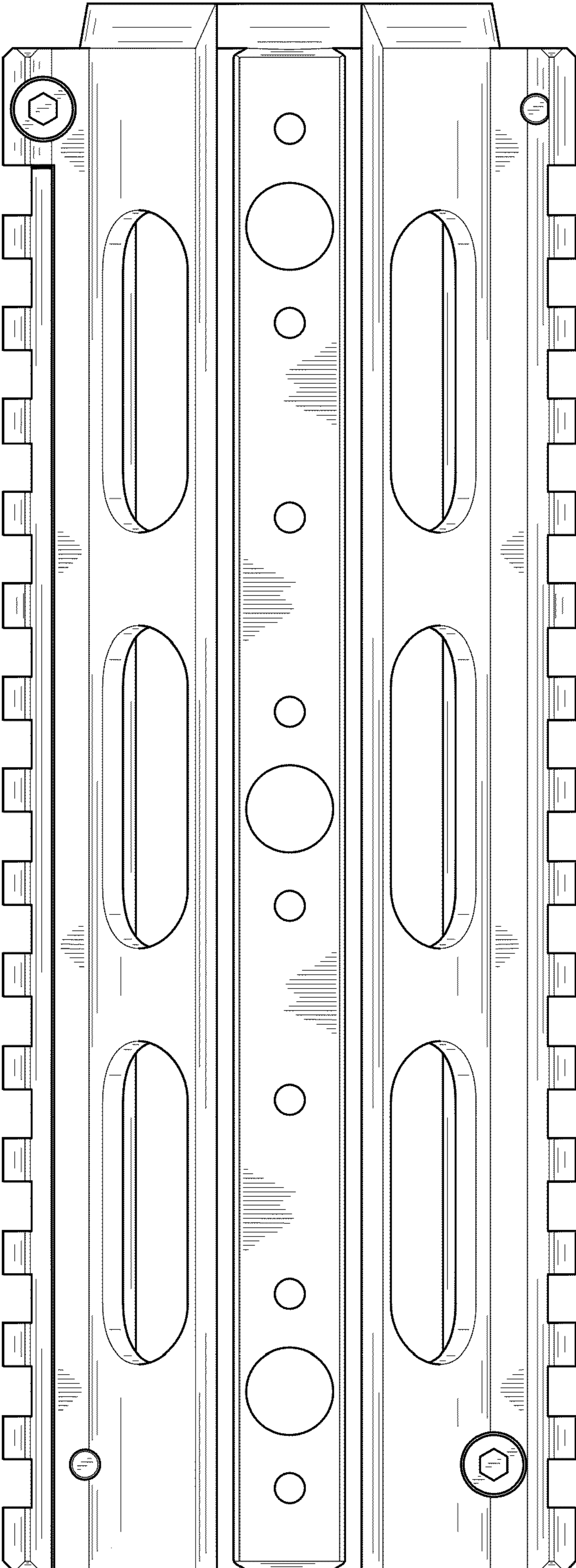


FIG. 5

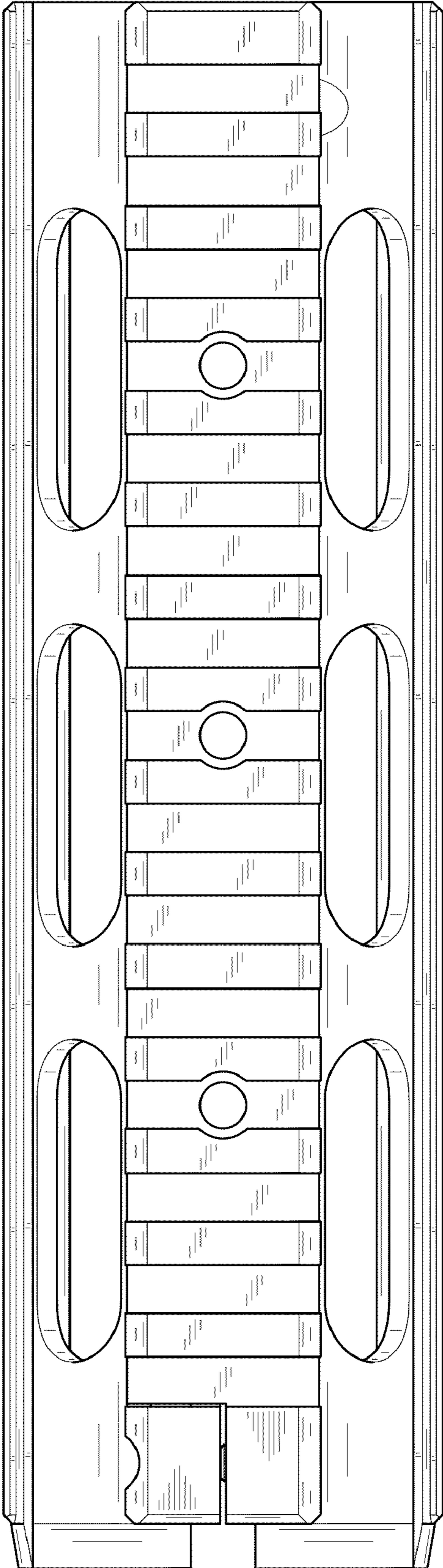


FIG. 6

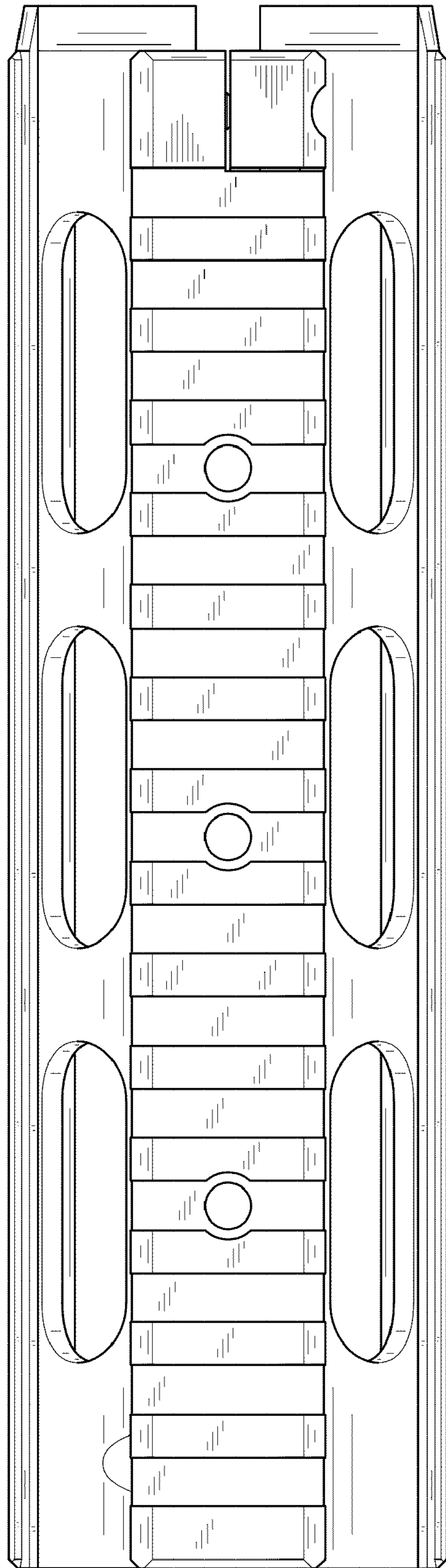


FIG. 7