



US00D641449S

(12) **United States Design Patent**  
**Cameron**

(10) **Patent No.:** **US D641,449 S**

(45) **Date of Patent:** **\*\* Jul. 12, 2011**

(54) **PUTTER TOOL**

(75) **Inventor:** **Don T. Cameron**, Carlsbad, CA (US)

(73) **Assignee:** **Acushnet Company**, Fairhaven, MA (US)

(\*\*) **Term:** **14 Years**

(21) **Appl. No.:** **29/369,997**

(22) **Filed:** **Sep. 16, 2010**

(51) **LOC (9) Cl.** ..... **21-02**

(52) **U.S. Cl.** ..... **D21/793**

(58) **Field of Classification Search** ..... D21/789,  
D21/793; 473/334-339; 81/467, 473-477;  
D8/21-29

See application file for complete search history.

(56) **References Cited**

**U.S. PATENT DOCUMENTS**

D398,360 S \* 9/1998 George ..... D21/793  
6,640,674 B1 \* 11/2003 Rinner et al. .... 81/475  
D517,149 S \* 3/2006 Shutter et al. .... D21/794

D517,634 S \* 3/2006 Nunez et al. .... D21/789  
7,166,040 B2 \* 1/2007 Hoffman et al. .... 473/334  
7,487,700 B2 \* 2/2009 Cutler et al. .... 81/475  
D590,472 S \* 4/2009 Penton ..... D21/793  
7,810,416 B2 \* 10/2010 Cutler et al. .... 81/467  
2006/0179981 A1 \* 8/2006 Cutler et al. .... 81/475

\* cited by examiner

*Primary Examiner* — Mitchell Siegel

(74) *Attorney, Agent, or Firm* — Kristin D. Wheeler

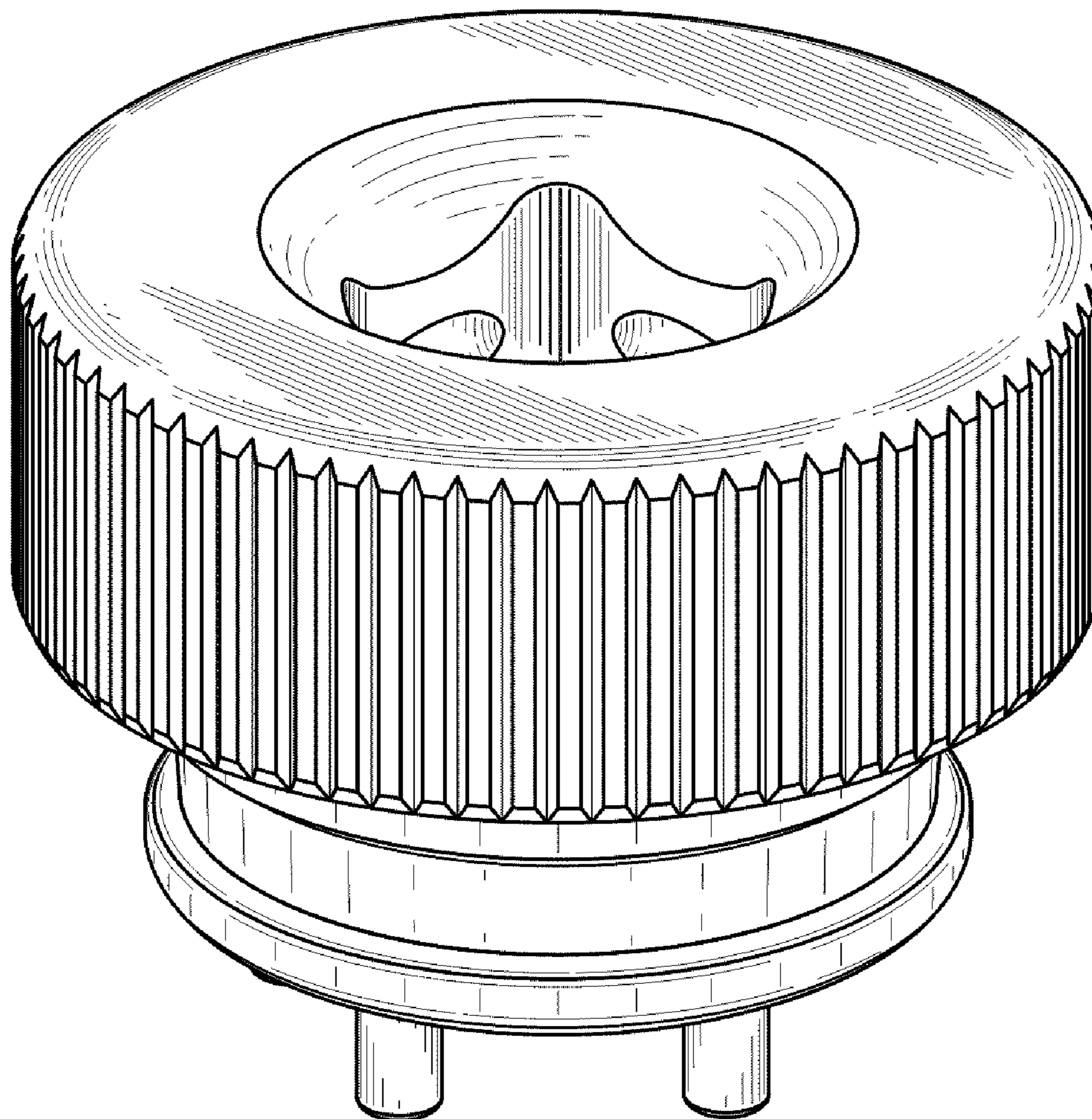
(57) **CLAIM**

The ornamental design for a putter tool, as shown and described.

**DESCRIPTION**

FIG. 1 is a perspective view of my new design for a putter tool;  
FIG. 2 is a front view thereof;  
FIG. 3 is a back view thereof;  
FIG. 4 is a left side view thereof;  
FIG. 5 is a right side view thereof;  
FIG. 6 is a top view thereof; and,  
FIG. 7 is a bottom view thereof.

**1 Claim, 4 Drawing Sheets**



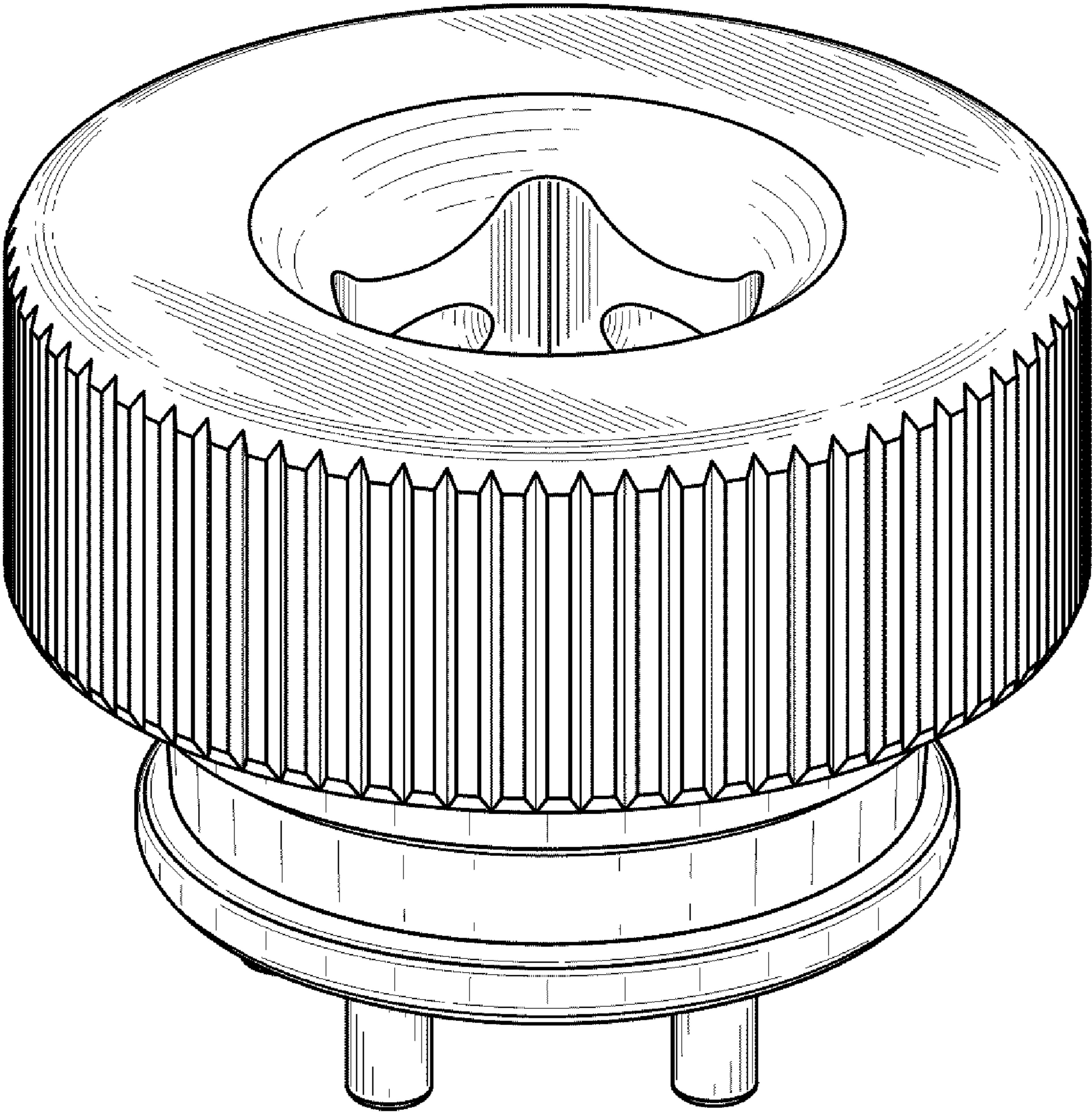


FIG. 1

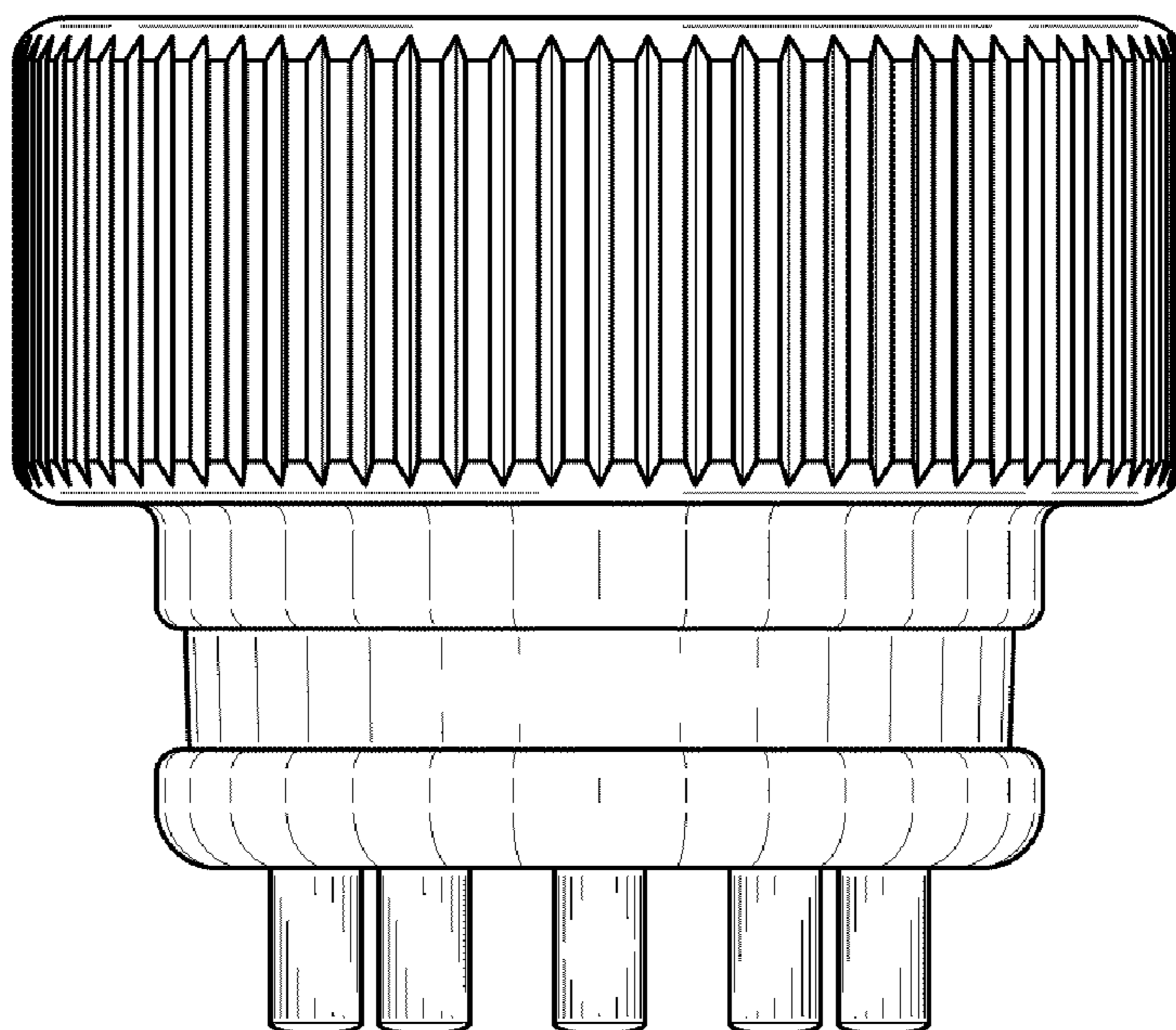


FIG. 2

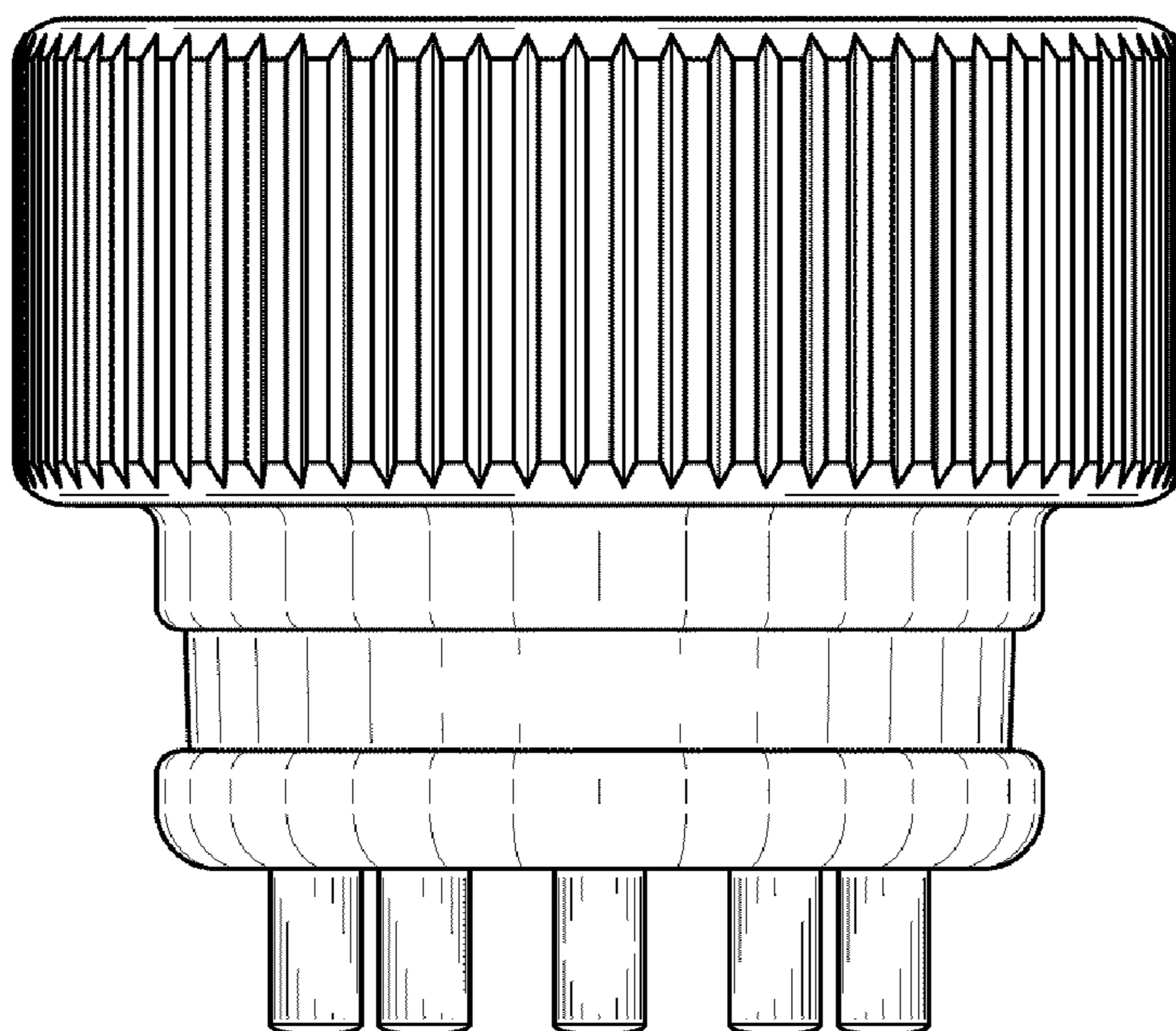


FIG. 3



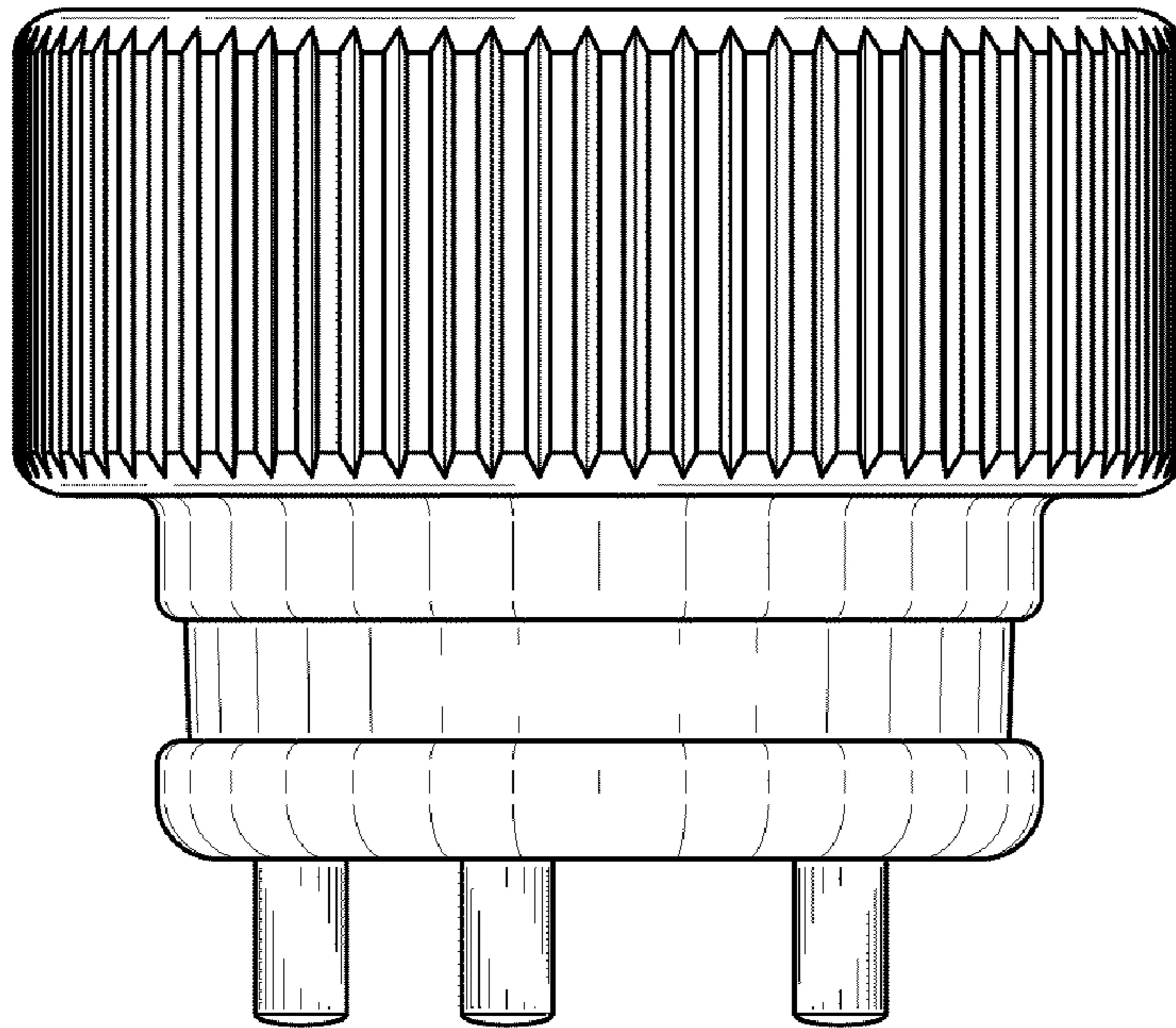


FIG. 4

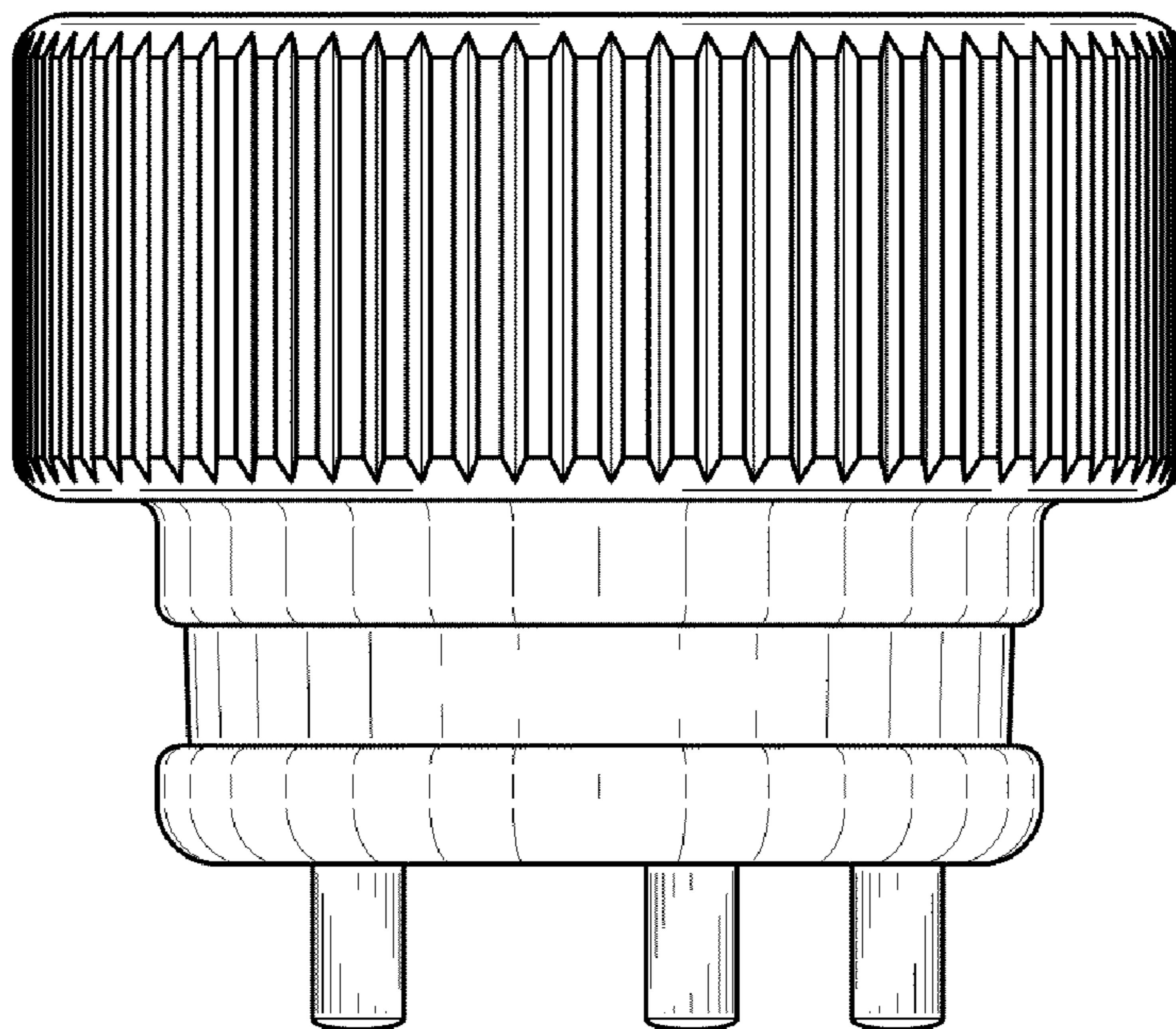


FIG. 5

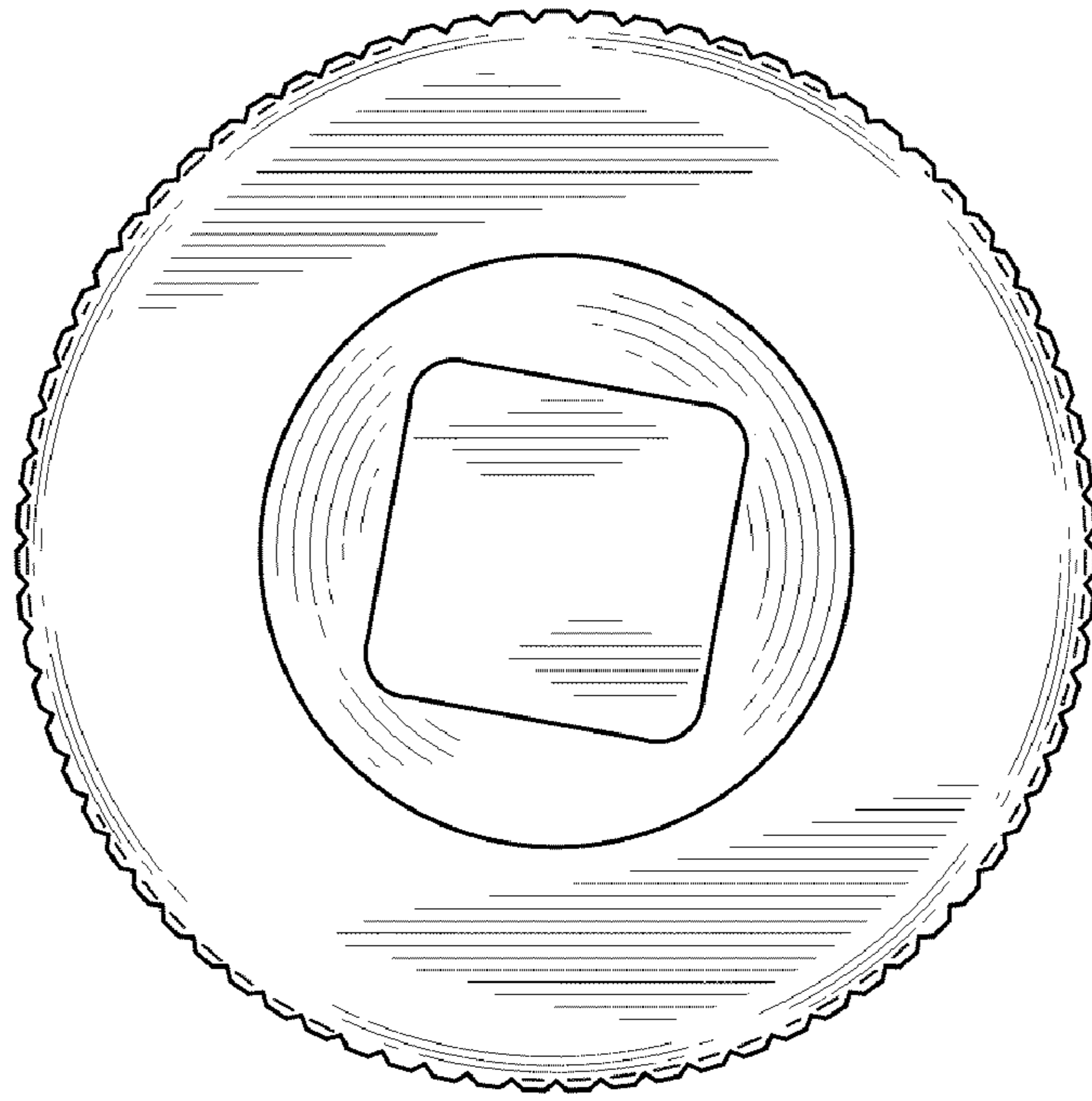


FIG. 6

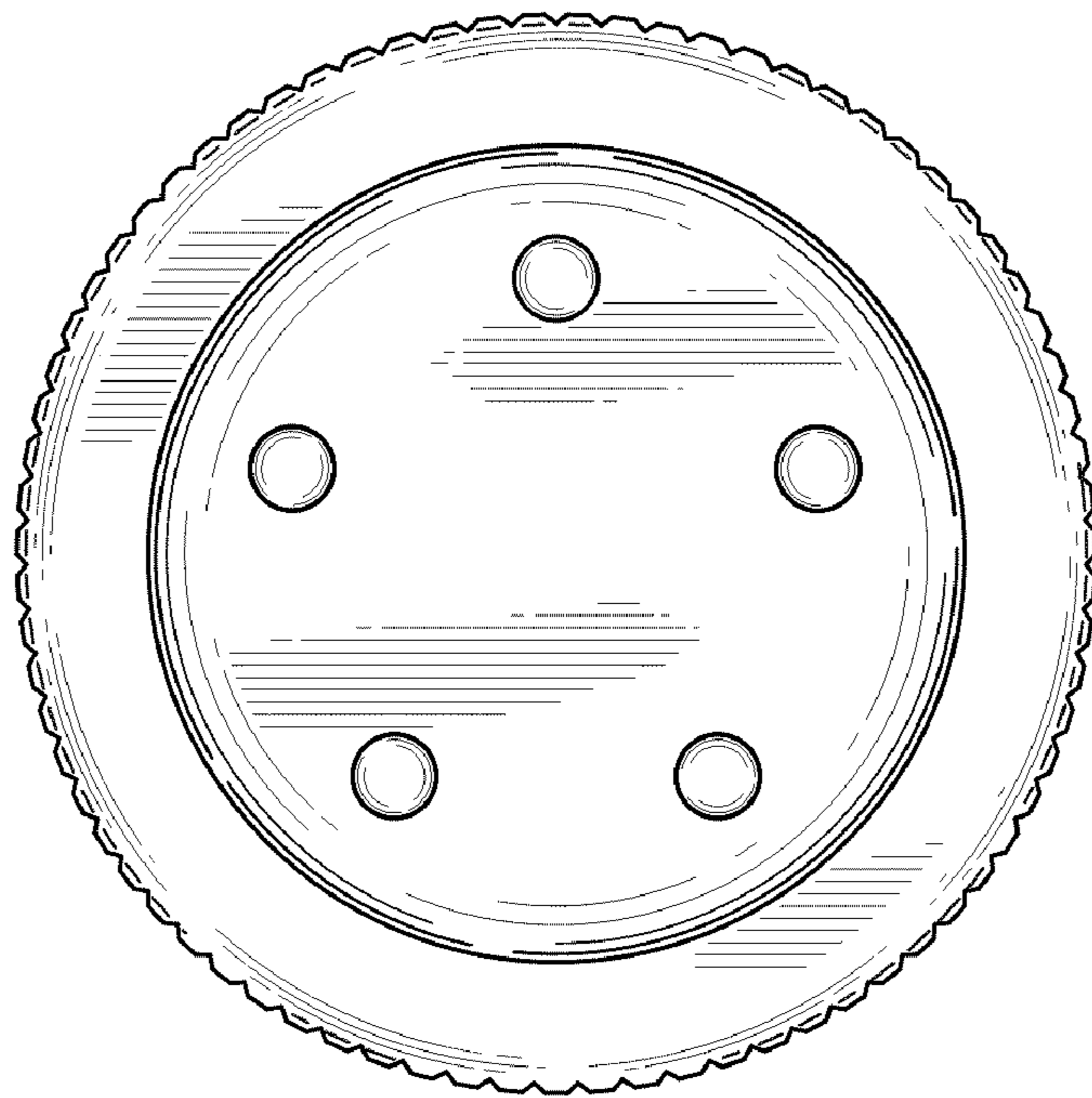


FIG. 7