



US00D641446S

(12) **United States Design Patent**  
**Engel et al.**

(10) **Patent No.:** **US D641,446 S**  
(45) **Date of Patent:** **\*\* Jul. 12, 2011**

- (54) **IRON GOLF CLUB HEAD CAVITY**
- (75) Inventors: **Christopher G. Engel**, Laguna Beach, CA (US); **Adrian L. Stanescu**, Los Angeles, CA (US)
- (73) Assignee: **Acushnet Company**, Fairhaven, MA (US)
- (\*\*) Term: **14 Years**
- (21) Appl. No.: **29/369,397**
- (22) Filed: **Sep. 8, 2010**
- (51) **LOC (9) Cl.** ..... **21-02**
- (52) **U.S. Cl.** ..... **D21/759**
- (58) **Field of Classification Search** ..... D21/747-751, D21/759; 473/324-331, 350  
See application file for complete search history.

D579,996 S *	11/2008	Gilbert et al. ....	D21/747
D581,000 S *	11/2008	Nicolette et al. ....	D21/749
D596,684 S *	7/2009	Sutovsky et al. ....	D21/747
D597,157 S *	7/2009	Wallin et al. ....	D21/747
D601,215 S *	9/2009	Diaz et al. ....	D21/747
D601,651 S *	10/2009	Jorgensen et al. ....	D21/759
D602,103 S *	10/2009	Jorgensen et al. ....	D21/747
D631,110 S *	1/2011	Kim et al. ....	D21/747
D635,627 S *	4/2011	Nicolette ....	D21/759

\* cited by examiner

*Primary Examiner* — Mitchell Siegel  
(74) *Attorney, Agent, or Firm* — Kristin D. Wheeler

(57) **CLAIM**  
The ornamental design for an iron golf club head cavity, as shown and described.

**DESCRIPTION**

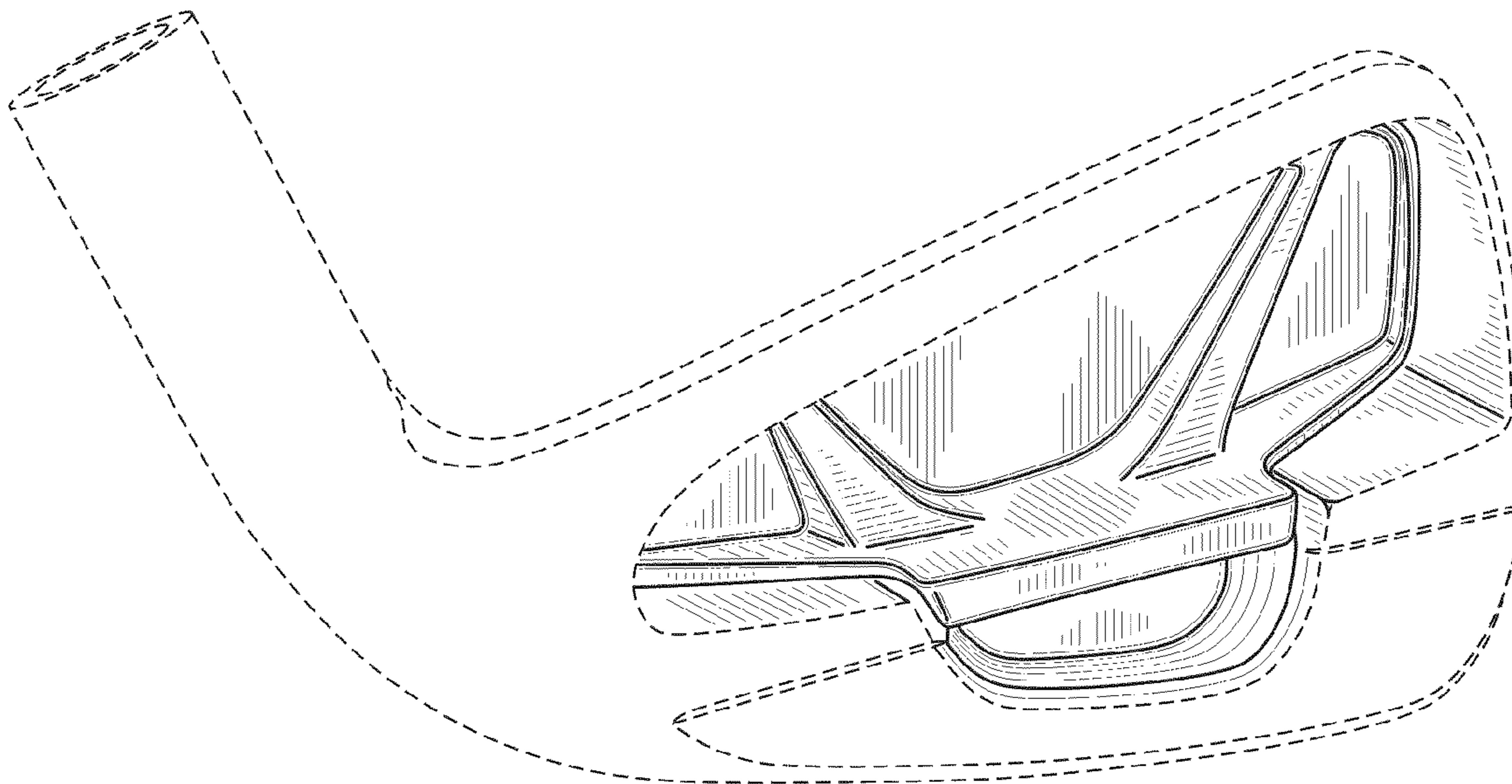
FIG. 1 is a back toe perspective view of our new iron golf club head cavity;  
FIG. 2 is a back heel perspective view thereof; and,  
FIG. 3 is a back view thereof.  
The portion of the iron shown in phantom does not form any portion of the present invention.

(56) **References Cited**

U.S. PATENT DOCUMENTS

D540,898 S *	4/2007	Solheim et al. ....	D21/749
D544,056 S *	6/2007	Nicolette et al. ....	D21/749

**1 Claim, 2 Drawing Sheets**



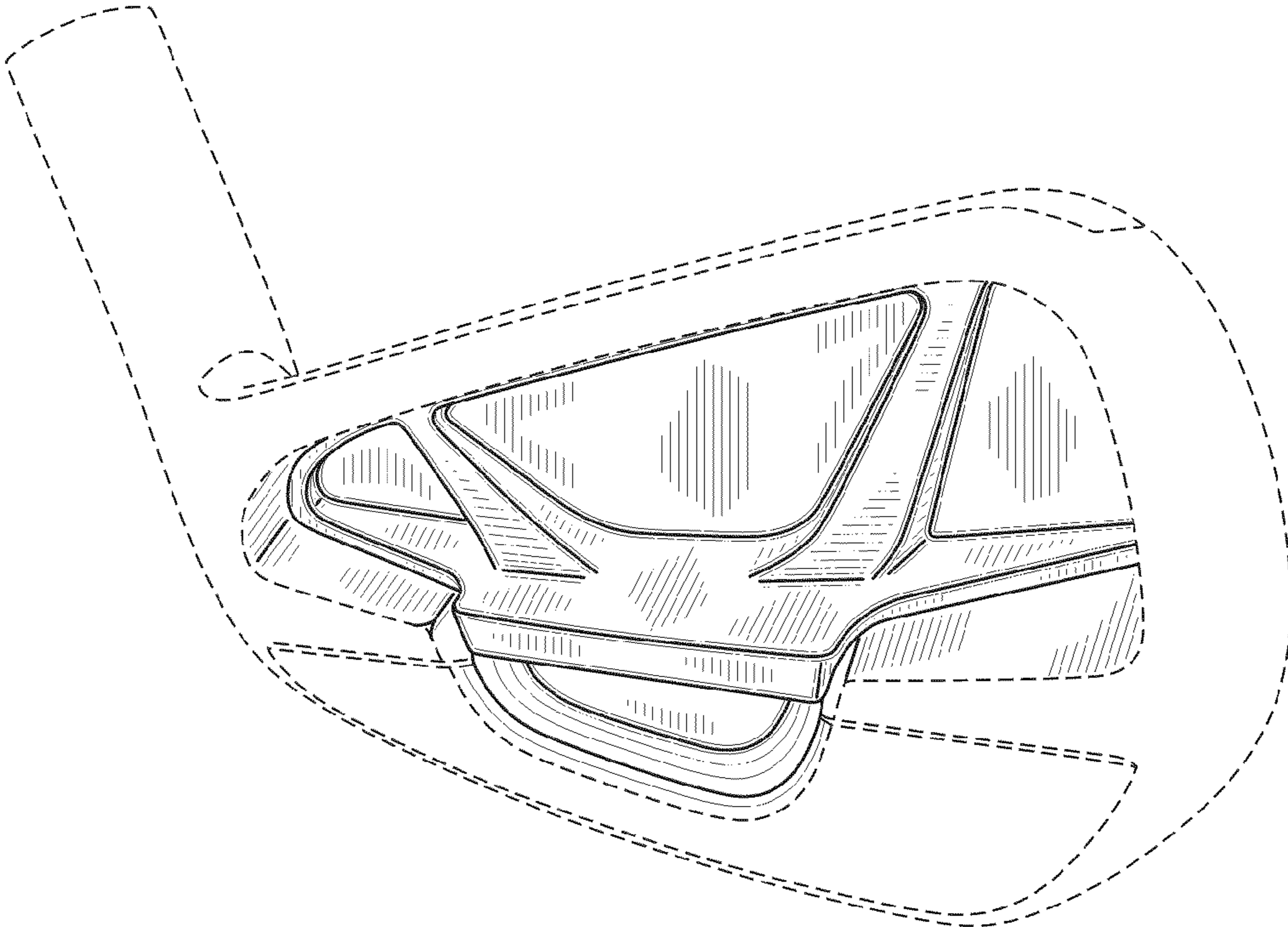


FIG. 1

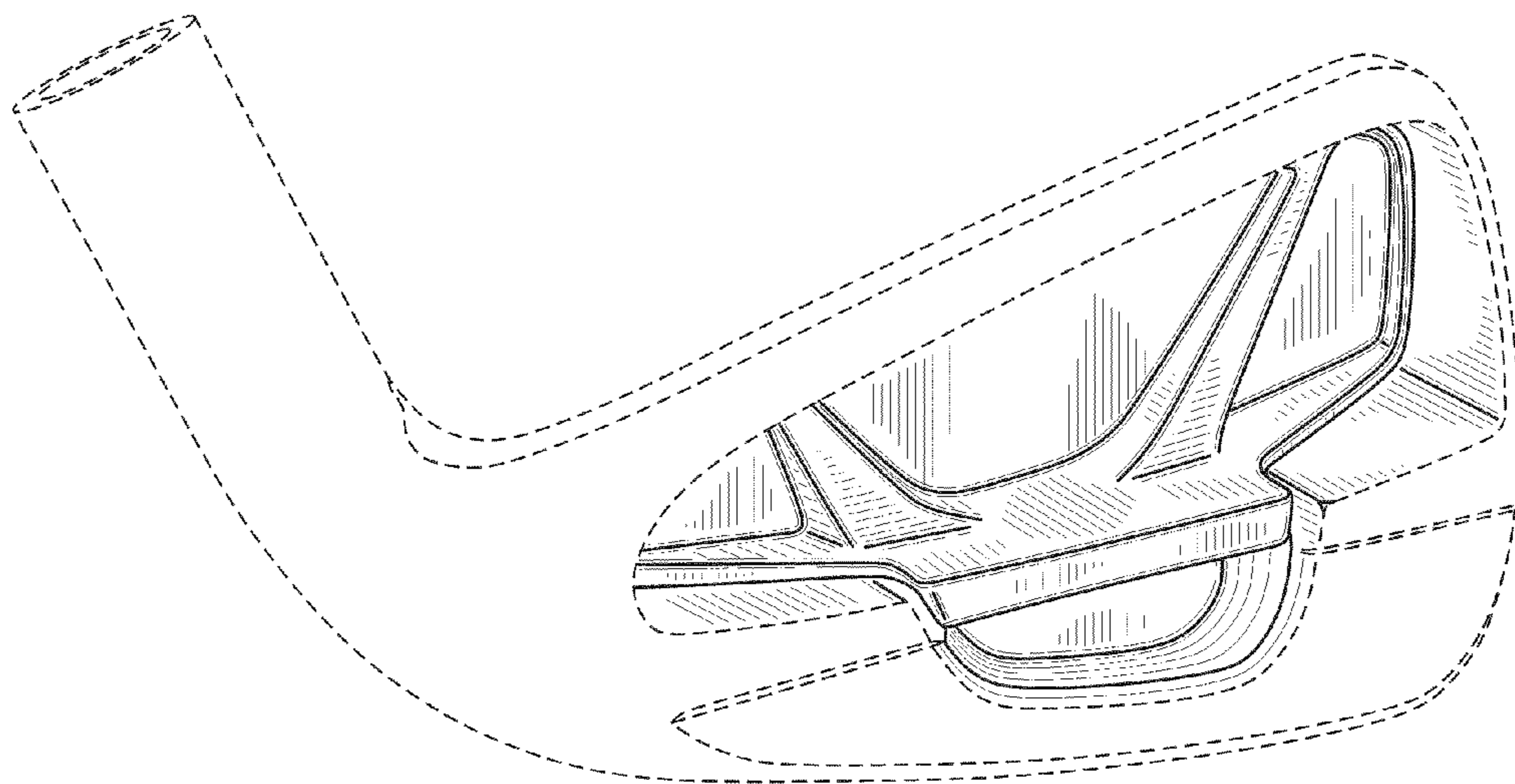


FIG. 2

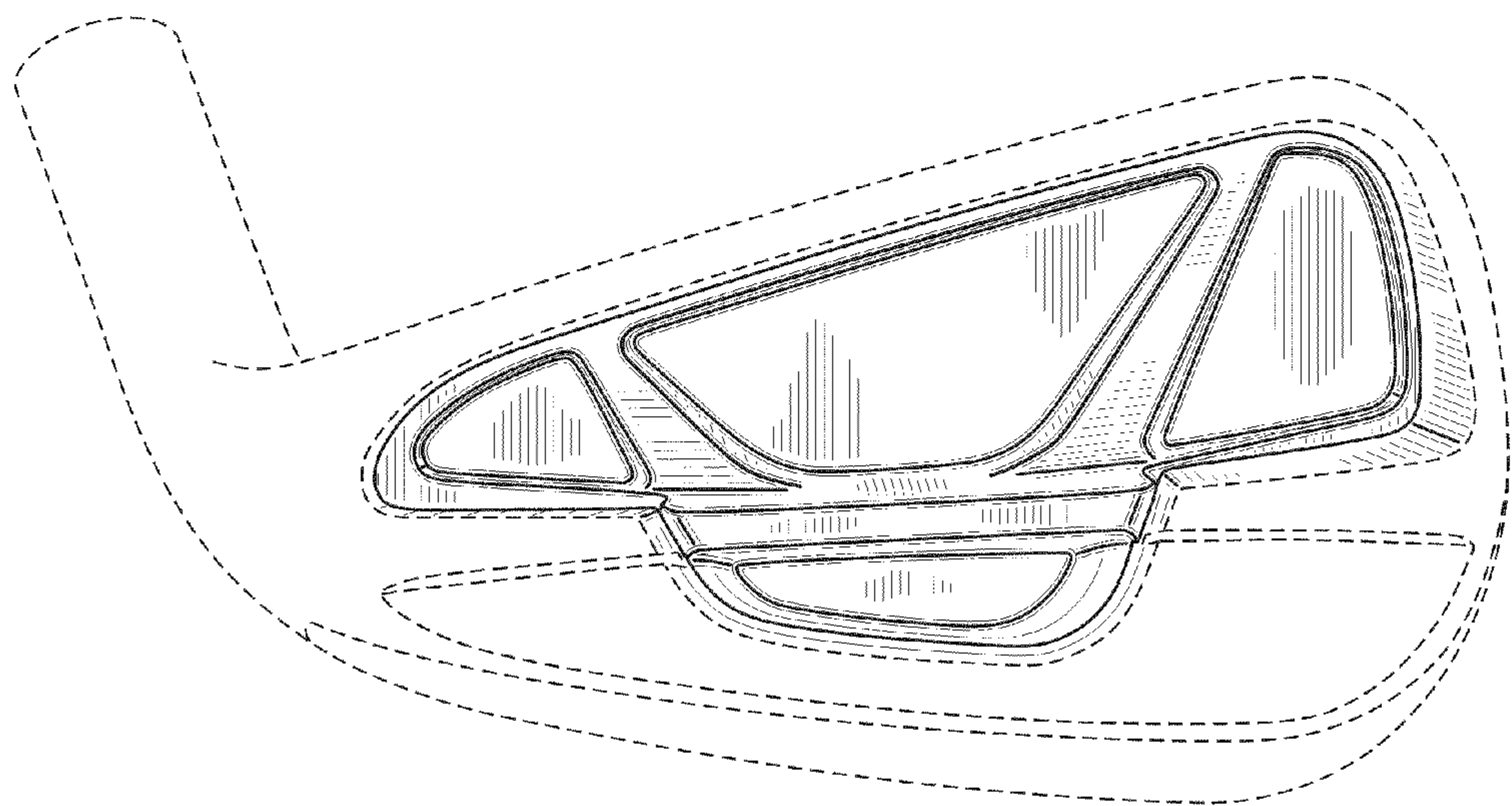


FIG. 3