



US00D641444S

(12) **United States Design Patent**
Llewellyn et al.

(10) **Patent No.:** **US D641,444 S**
(45) **Date of Patent:** **** Jul. 12, 2011**

(54) **IRON-TYPE GOLF CLUB HEAD**

(75) Inventors: **David Llewellyn**, Duluth, GA (US);
Kazuhiro Doi, Gifu (JP); **Tsugunobu Sakamoto**, Osaka (JP)

(73) Assignee: **Mizuno USA**, Norcross, GA (US)

(**) Term: **14 Years**

(21) Appl. No.: **29/361,239**

(22) Filed: **May 7, 2010**

(51) **LOC (9) Cl.** **21-02**

(52) **U.S. Cl.** **D21/759**

(58) **Field of Classification Search** D21/747-751,
D21/759; 473/324-331, 350
See application file for complete search history.

(56) **References Cited**

U.S. PATENT DOCUMENTS

D359,540 S *	6/1995	Allen	D21/748
D415,230 S *	10/1999	Stone et al.	D21/748
D443,665 S *	6/2001	Mahaffey	D21/748
D473,606 S *	4/2003	Mickelson et al.	D21/747
D492,377 S *	6/2004	Roach et al.	D21/748
D500,111 S *	12/2004	Nathanson	D21/748
D534,608 S *	1/2007	Kohno	D21/759

* cited by examiner

Primary Examiner — Mitchell Siegel

(74) *Attorney, Agent, or Firm* — Troutman Sanders LLP;
James E. Schutz; Robert R. Elliot, Jr.

(57) **CLAIM**

The ornamental design for a iron-type golf club head, as shown and described.

DESCRIPTION

FIG. 1 illustrates an angled, rear perspective view of a golf club head that shows a cavity pad and a perimeter weight;

FIG. 2 illustrates a rear perspective view of a golf club head that shows a cavity pad and a slight concave shaped perimeter weight;

FIG. 3 illustrates an angled, rear perspective view of a golf club head that shows a cavity pad and a perimeter weight;

FIG. 4 illustrates an angled, bottom perspective view of a golf club head that shows a cavity pad and a perimeter weight;

FIG. 5 illustrates an angled, rear perspective view of a golf club head that shows a cavity pad and a slight concave shaped perimeter weight;

FIG. 6 illustrates an angled, side perspective view of a golf club head that shows a cavity pad and a perimeter weight;

FIG. 7 illustrates a top perspective view of a golf club head that shows a top portion of a perimeter weight;

FIG. 8 illustrates a rear perspective view of a golf club head that shows a cavity pad and a slight concave shaped perimeter weight;

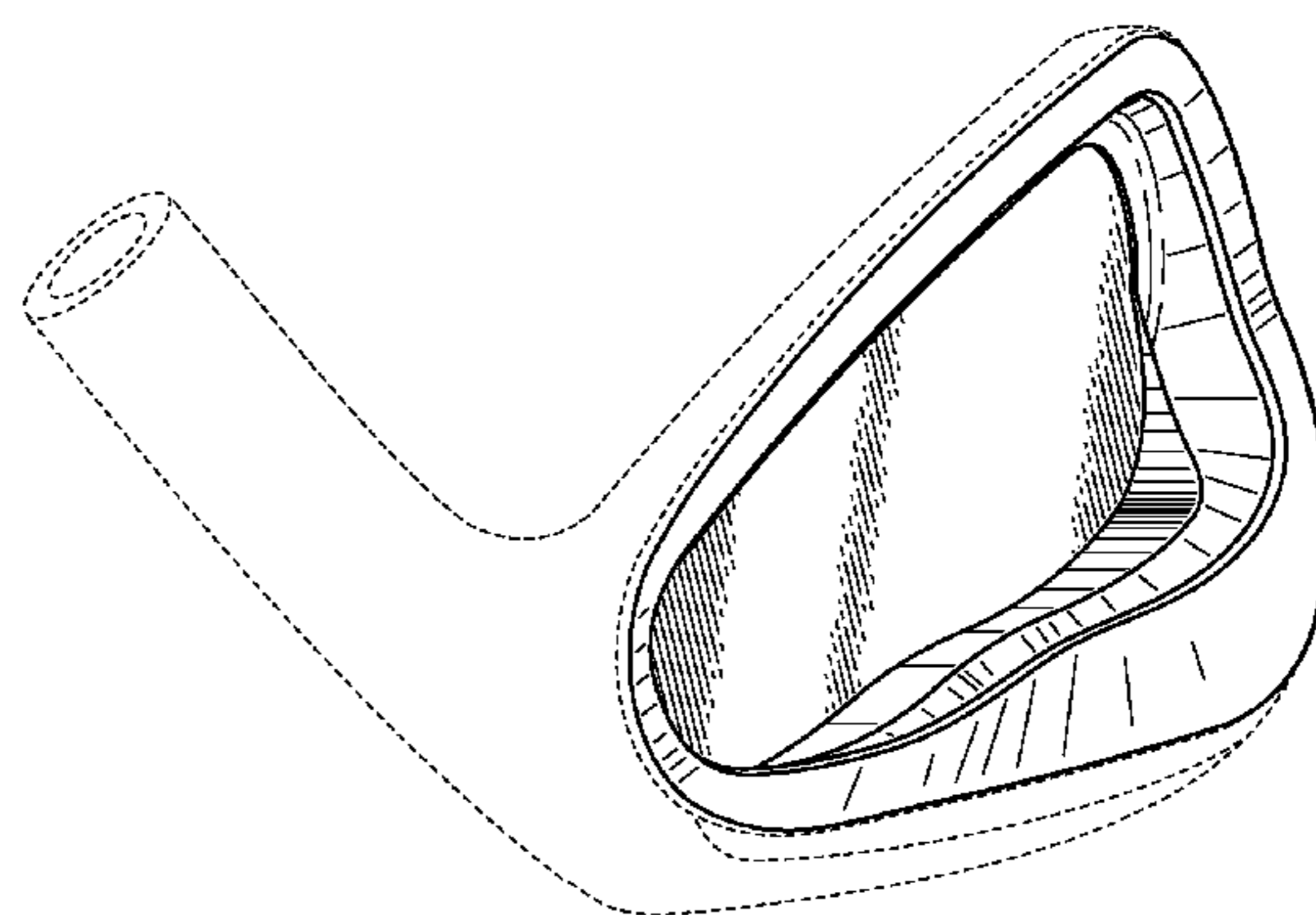
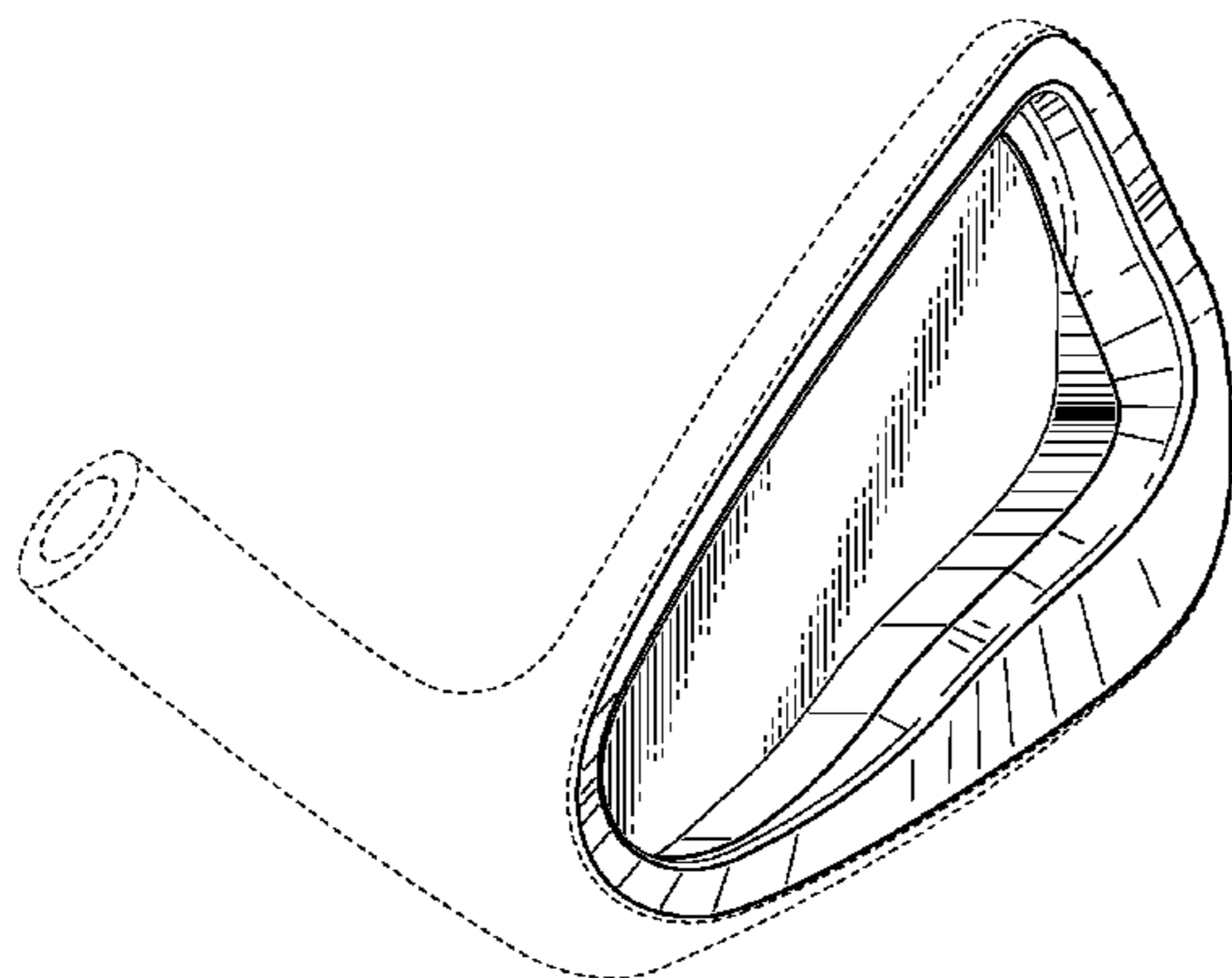
FIG. 9 illustrates an angled, side perspective view of a golf club head that shows a cavity pad and a perimeter weight;

FIG. 10 illustrates an angled, rear perspective view of a golf club head that shows a badge within a cavity pad; and,

FIG. 11 illustrates a rear perspective view of a golf club head that shows a badge within a cavity pad.

The broken, dashed lines shown in the various figures depicting embodiments of the invention are included for the purpose of illustrating environment and do not form any part of the claimed design.

1 Claim, 6 Drawing Sheets



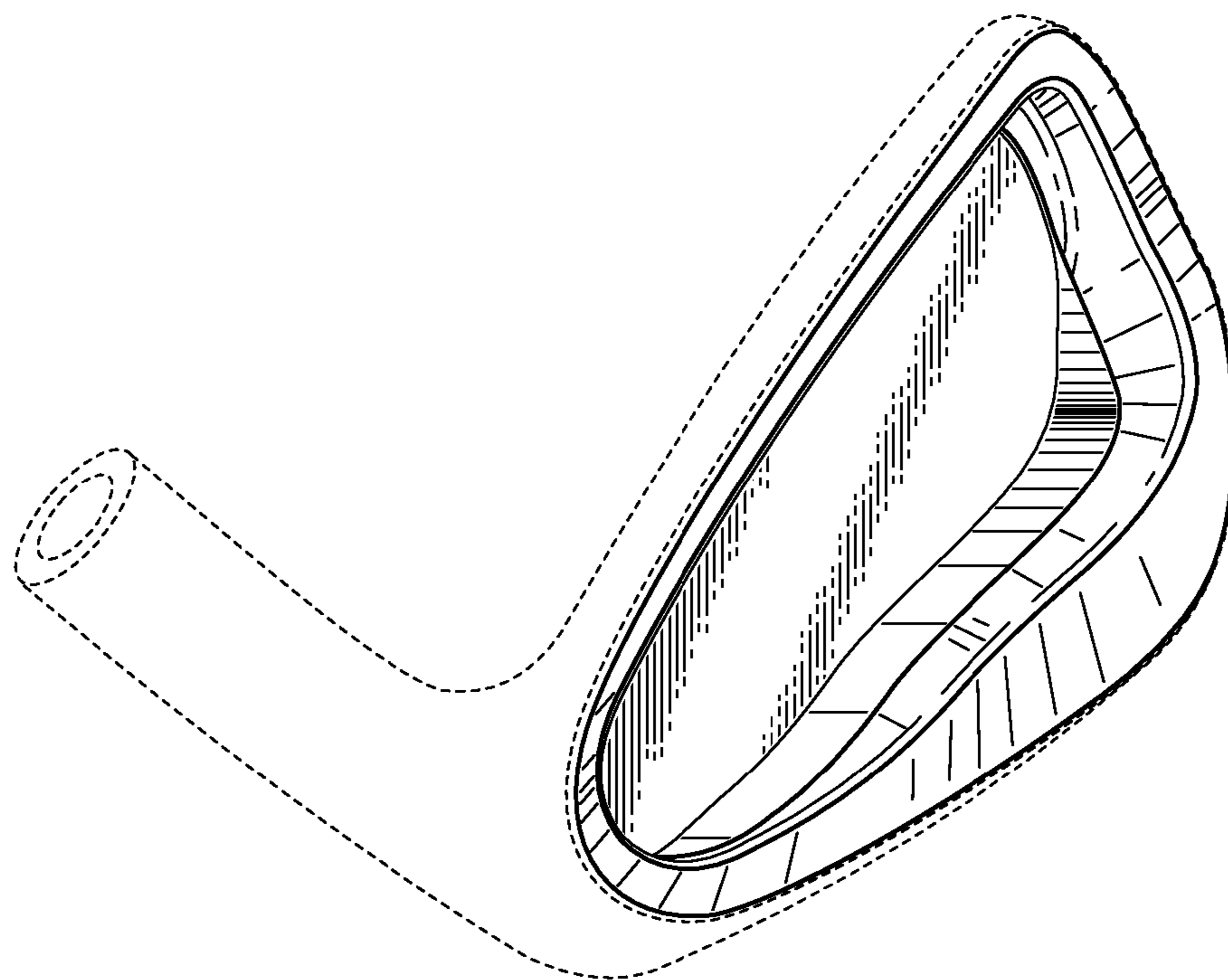


FIG. 1

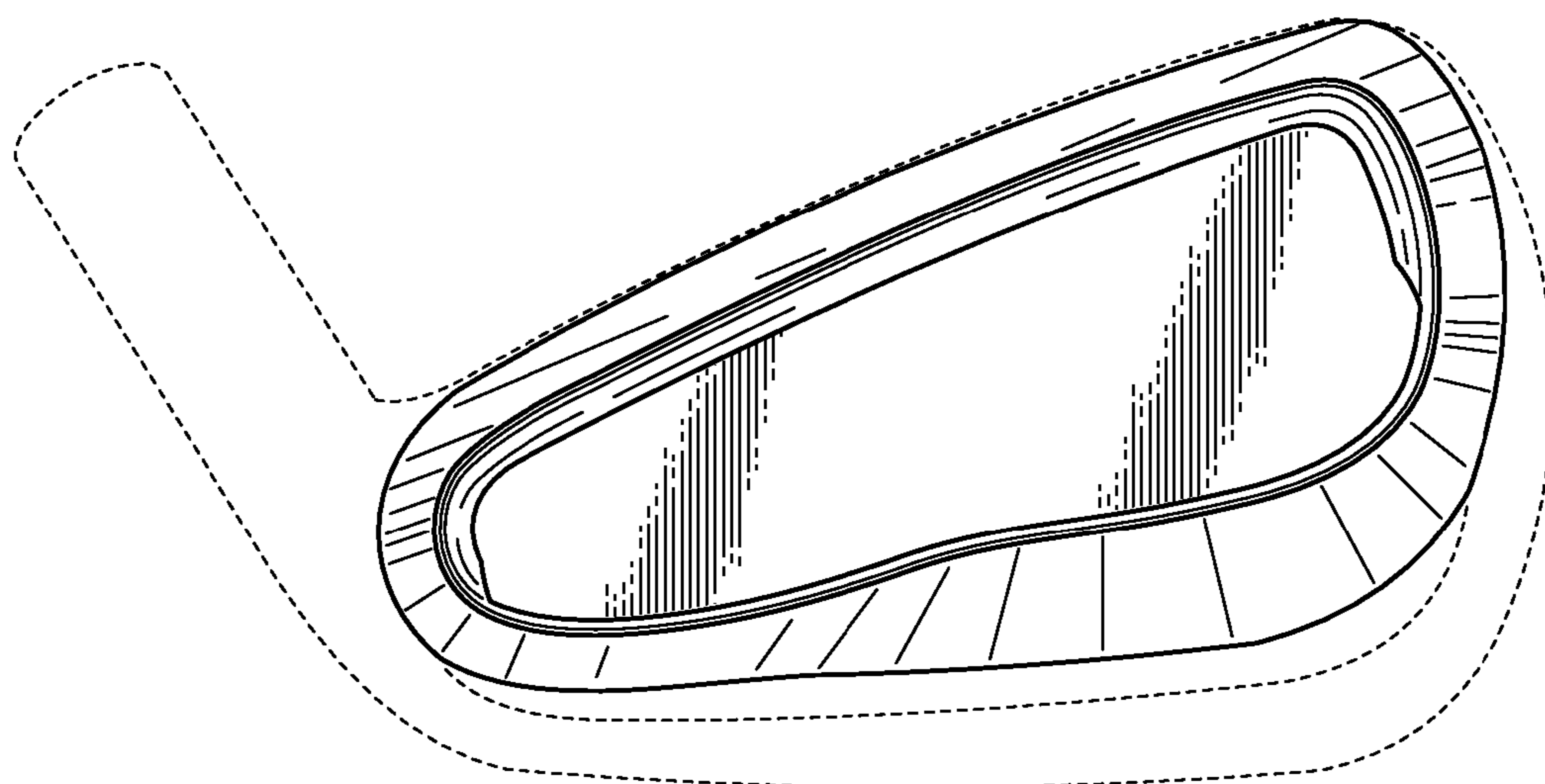


FIG. 2

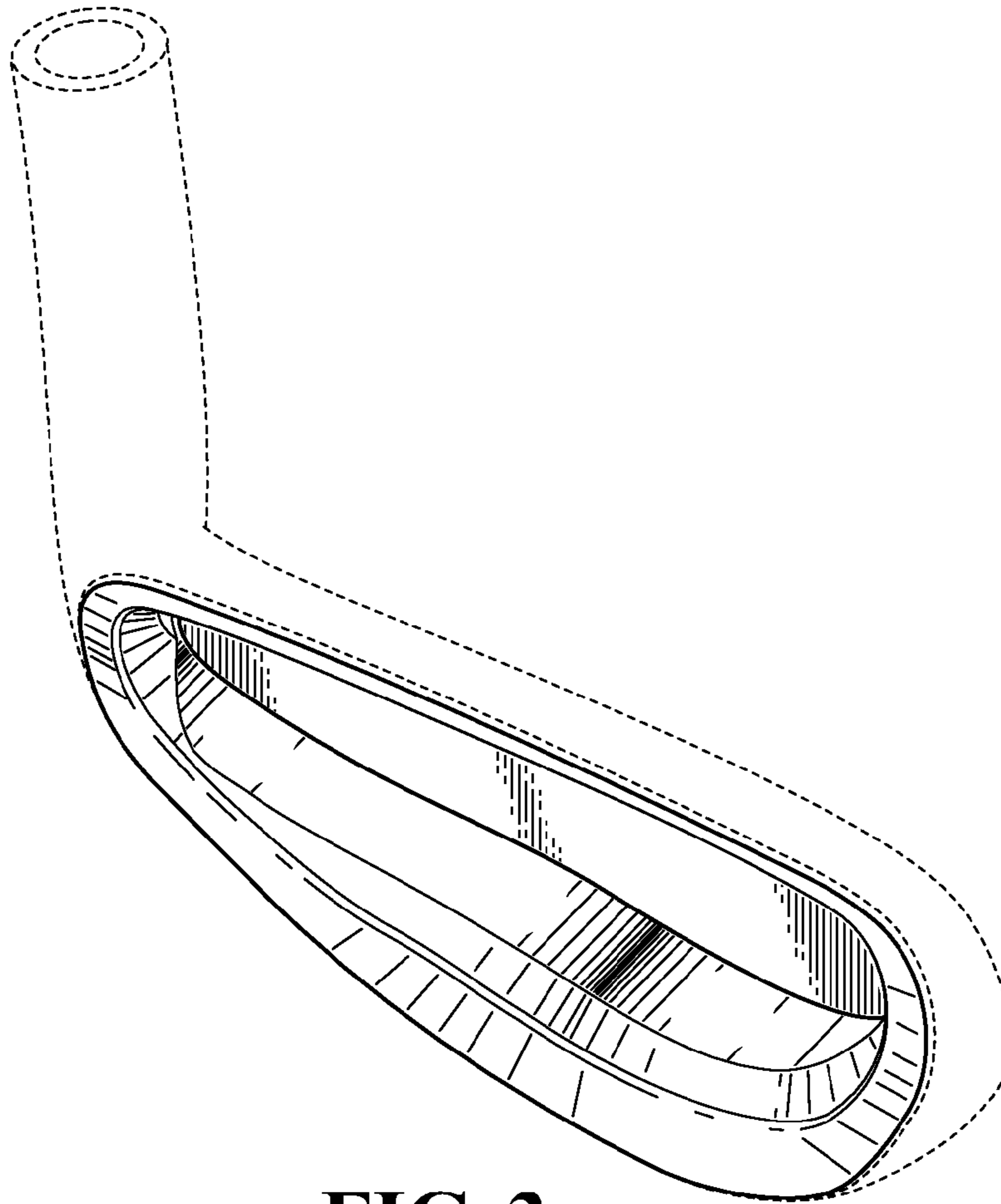


FIG. 3

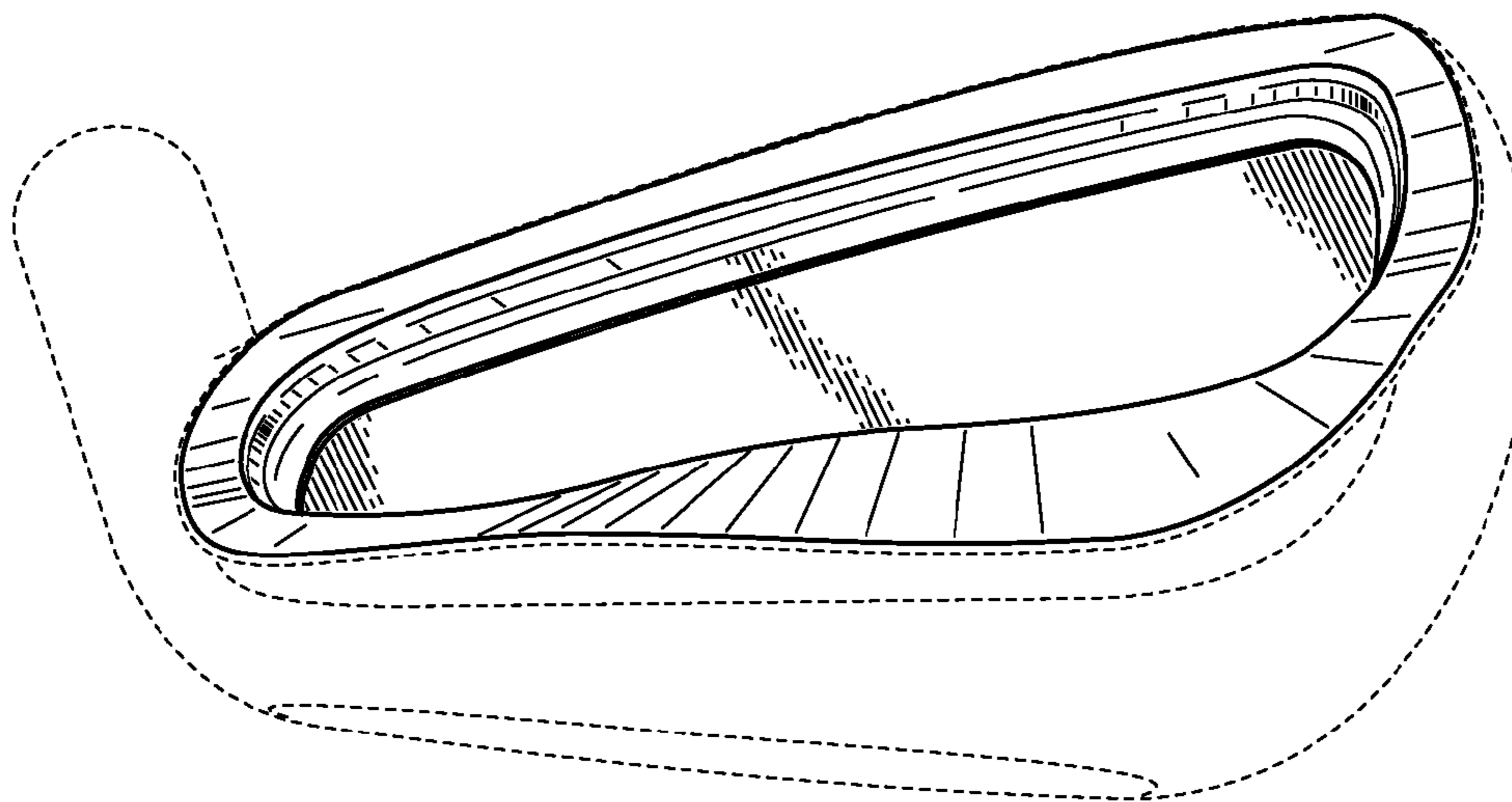


FIG. 4

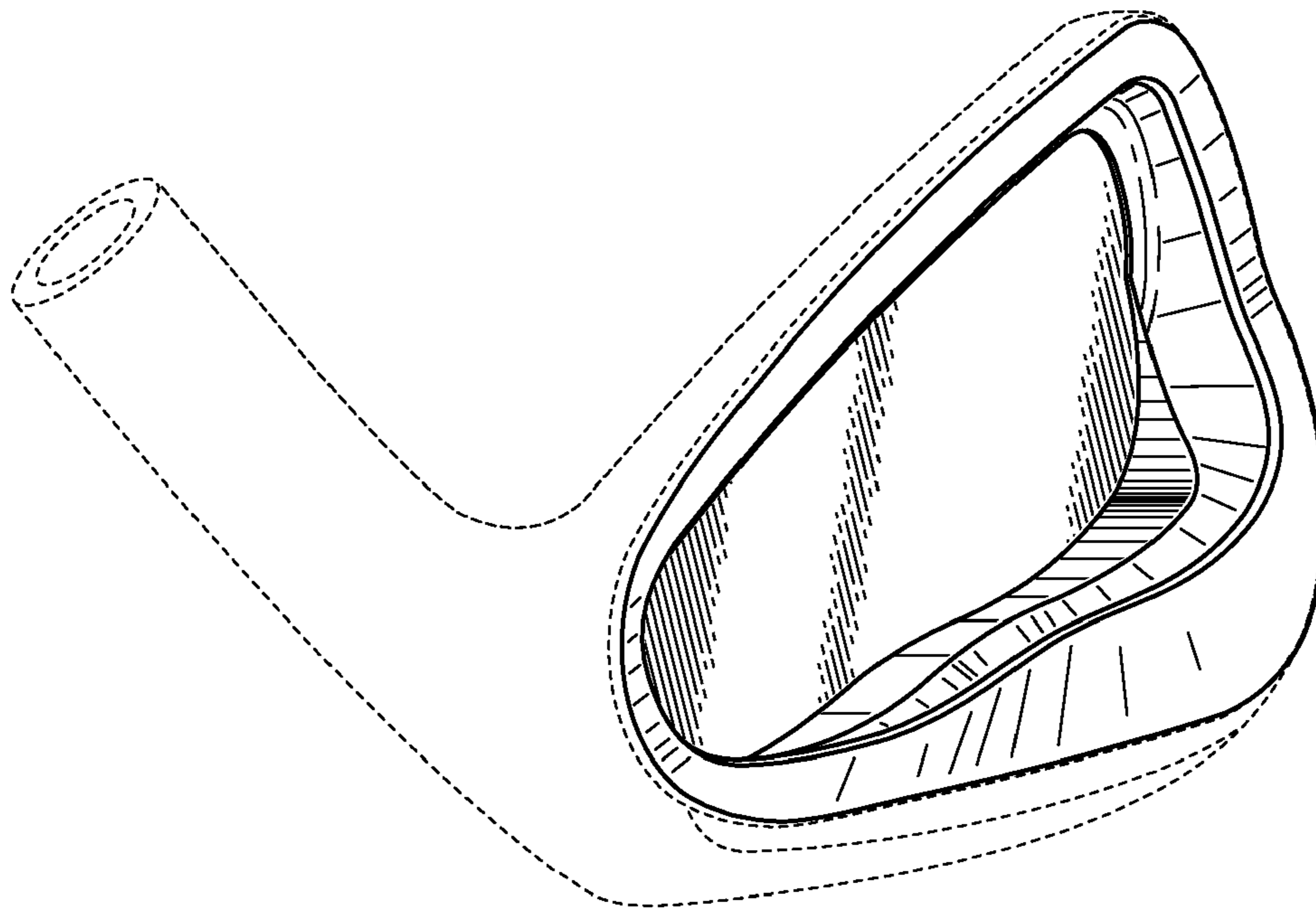


FIG. 5

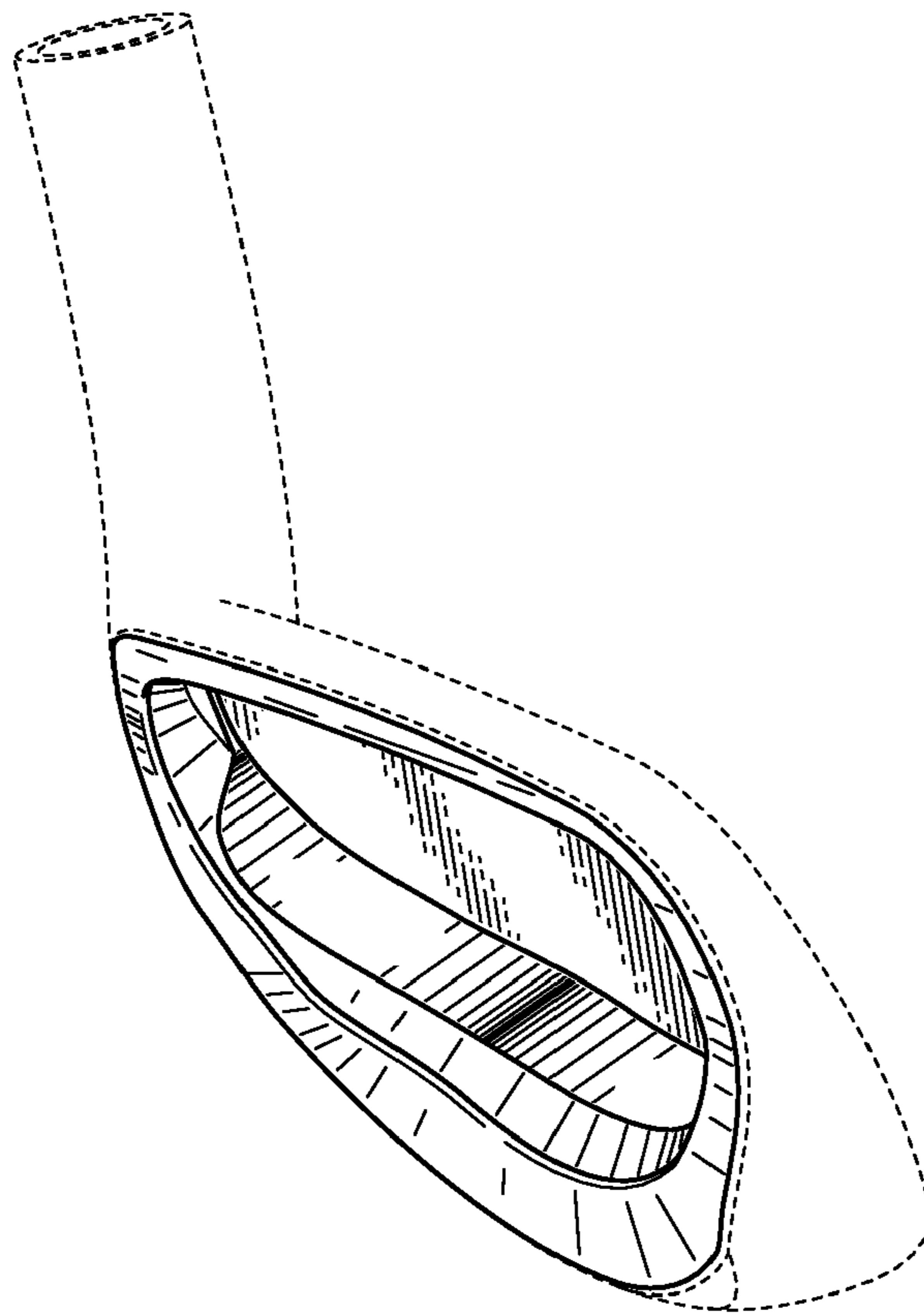


FIG. 6

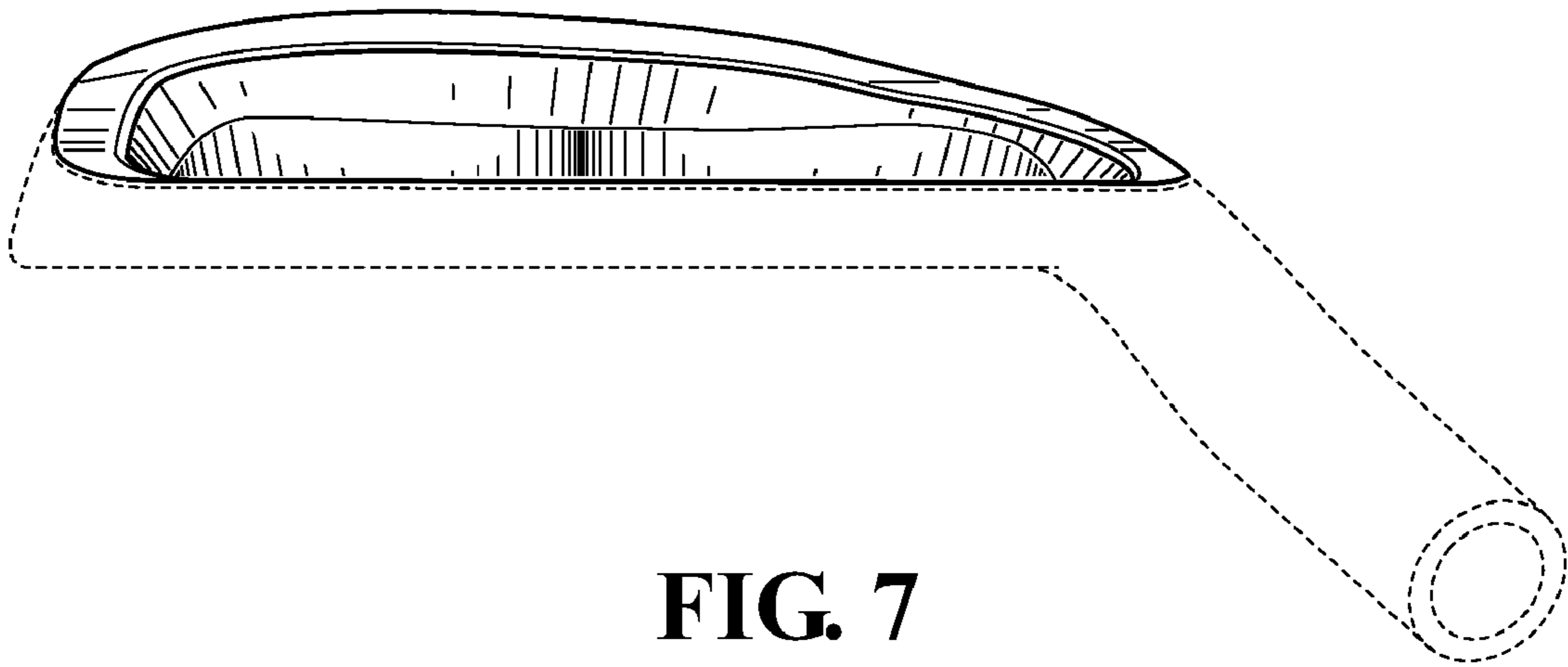


FIG. 7

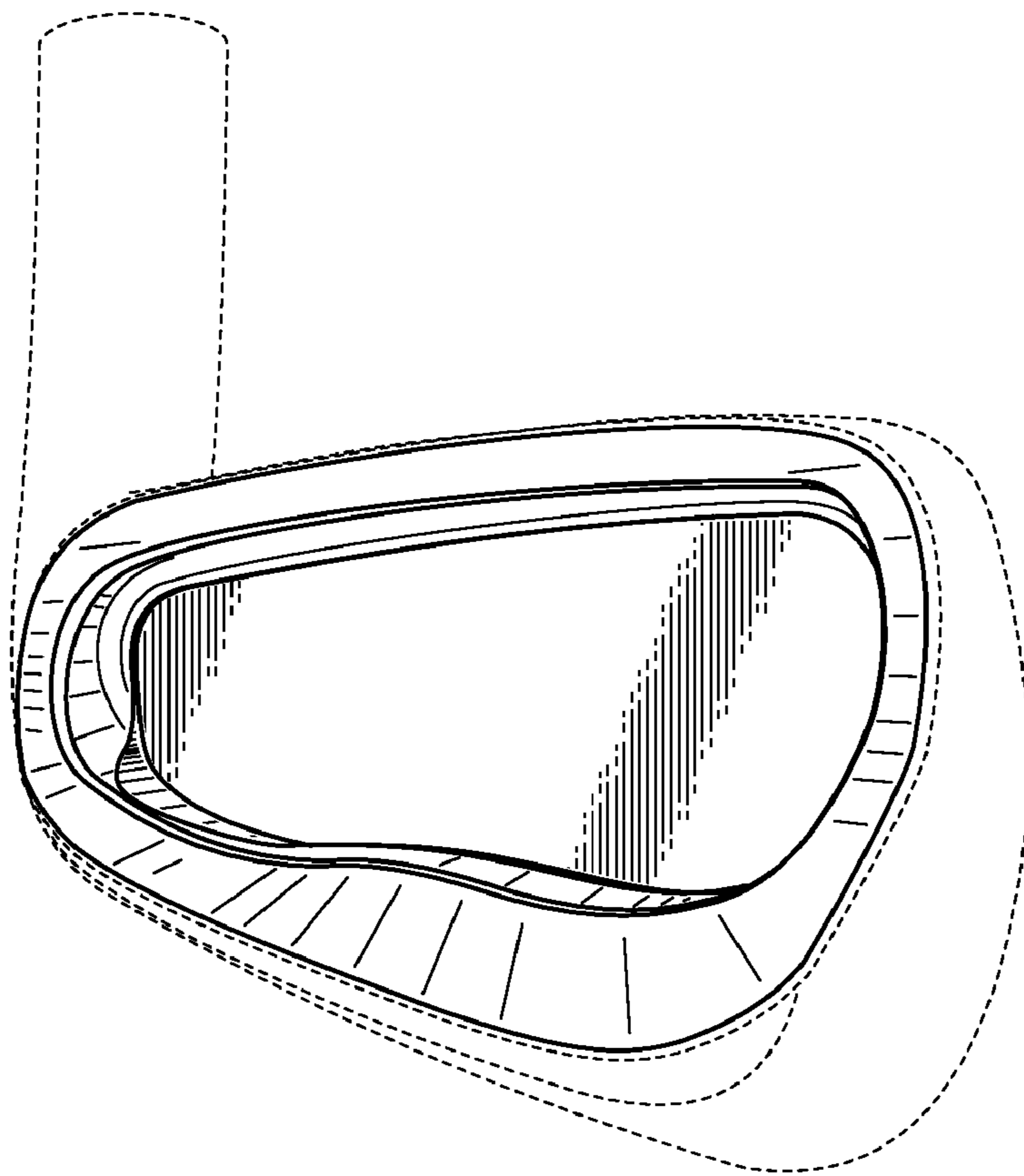


FIG. 8

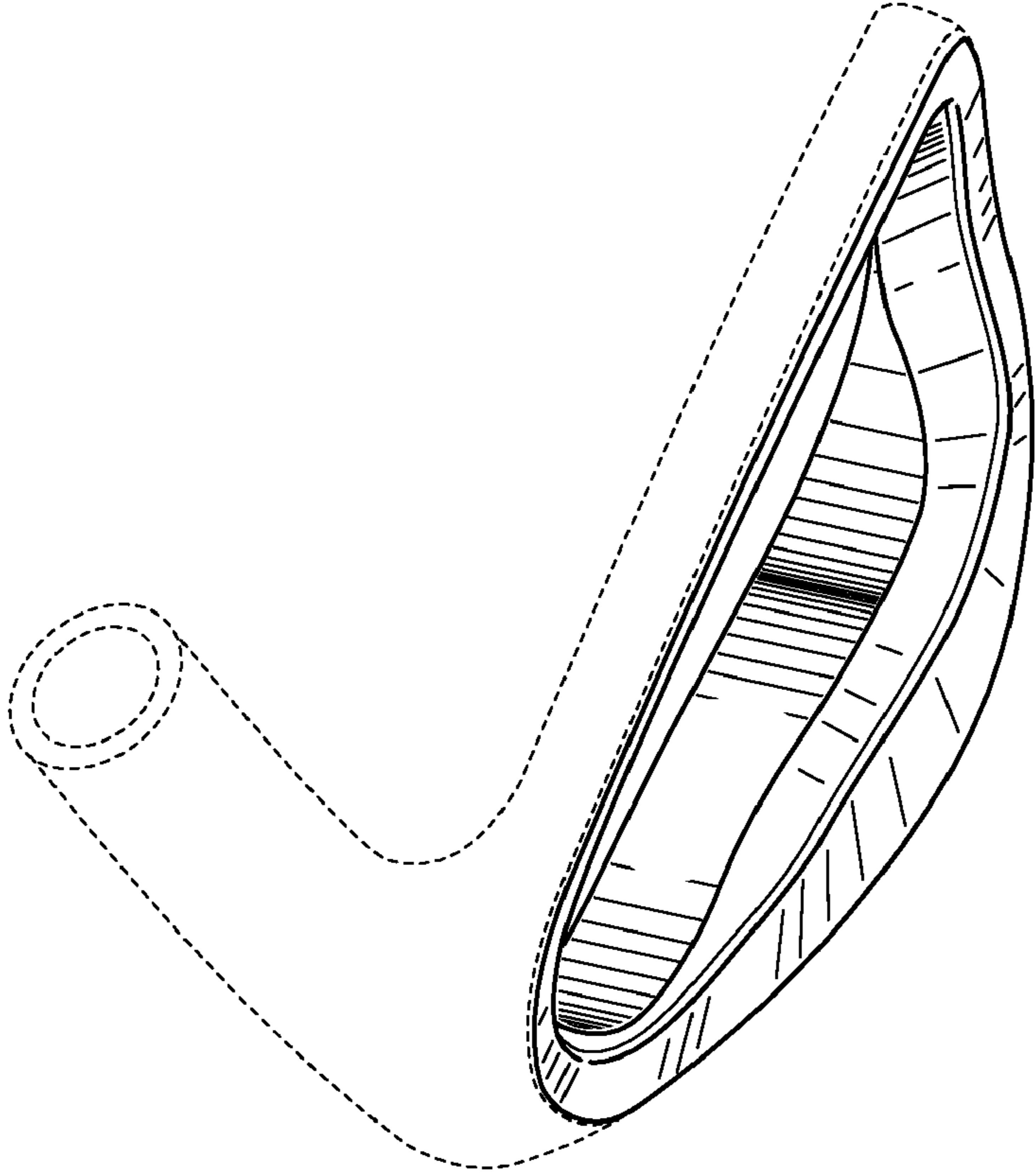


FIG. 9

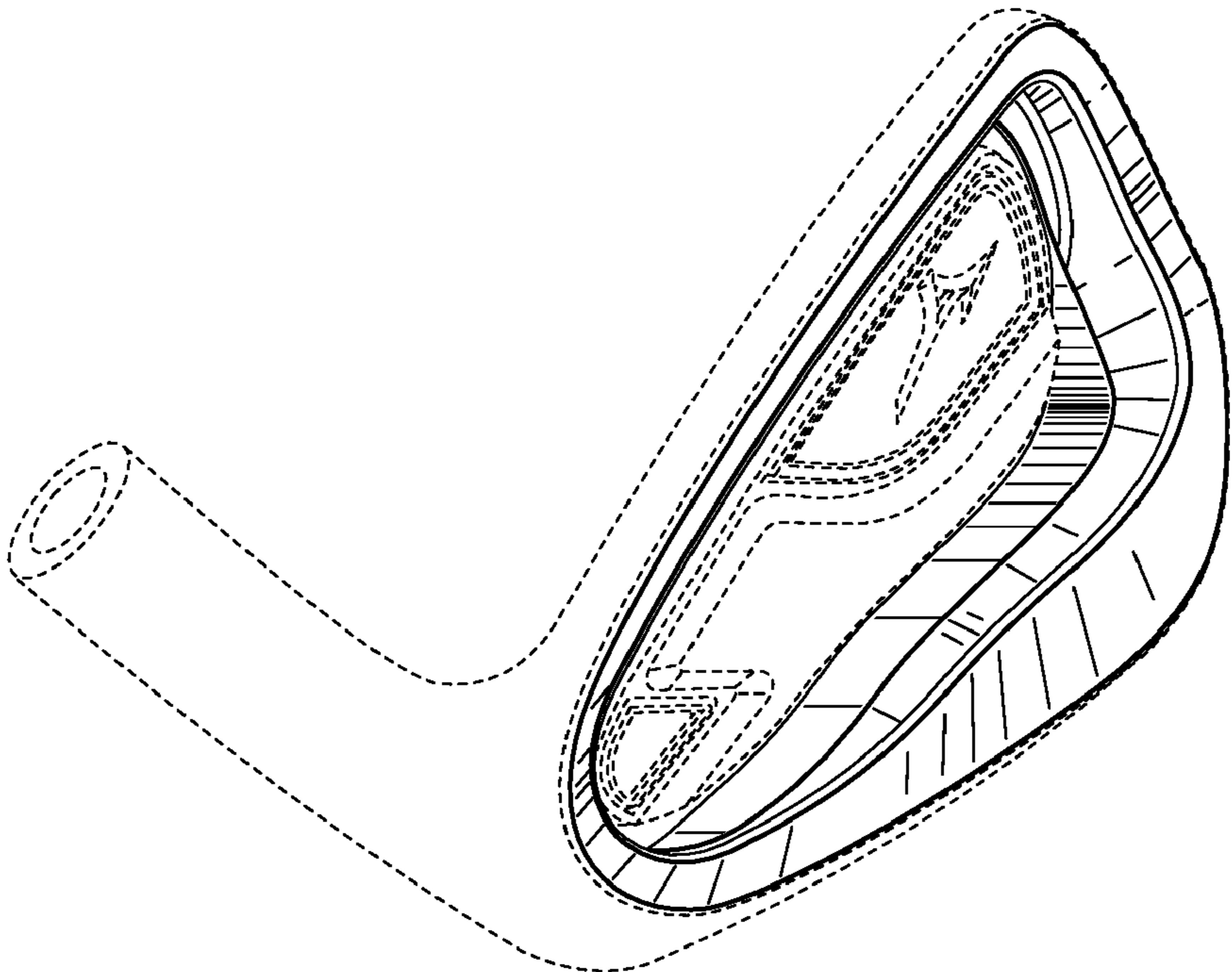


FIG. 10

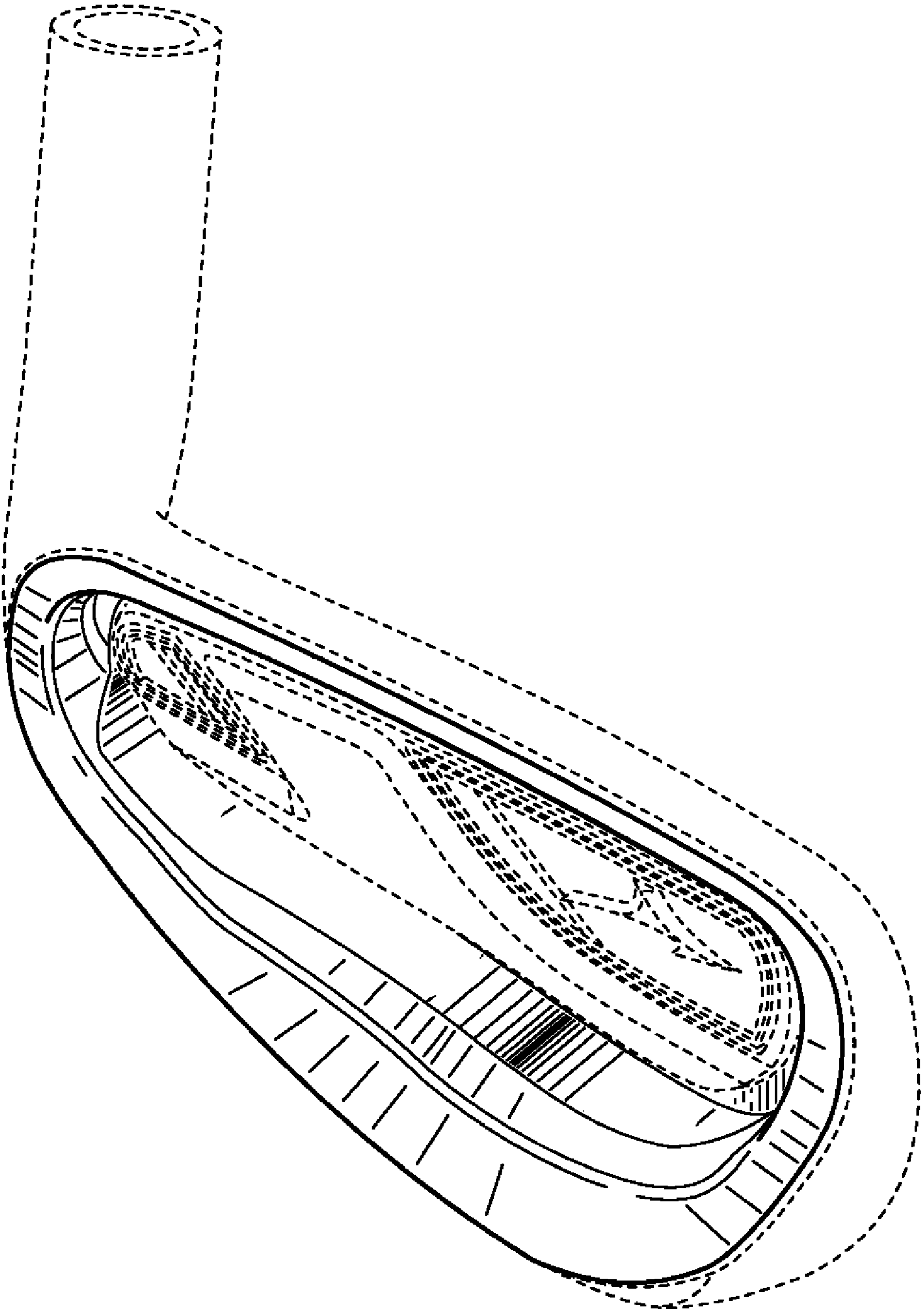


FIG. 11