



US00D641441S

(12) **United States Design Patent**  
**Hilton et al.**

(10) **Patent No.:** **US D641,441 S**

(45) **Date of Patent:** **\*\* Jul. 12, 2011**

(54) **PUTTER HEAD**

(75) Inventors: **Thomas R. Hilton**, Cardiff, CA (US);  
**Augustin W. Rollinson**, Carlsbad, CA  
(US)

(73) Assignee: **Callaway Golf Company**, Carlsbad, CA  
(US)

(\*\*) Term: **14 Years**

(21) Appl. No.: **29/377,072**

(22) Filed: **Oct. 15, 2010**

(51) **LOC (9) Cl.** ..... **21-02**

(52) **U.S. Cl.** ..... **D21/743**

(58) **Field of Classification Search** ..... D21/736-746;  
473/324-331, 340-341, 251-256  
See application file for complete search history.

(56) **References Cited**

**U.S. PATENT DOCUMENTS**

D255,373	S	*	6/1980	Solheim	.....	D21/743
D396,081	S	*	7/1998	Sheets	.....	D21/742
D396,258	S	*	7/1998	Sheets	.....	D21/742
D402,722	S	*	12/1998	Rollinson	.....	D21/742
D407,445	S	*	3/1999	Rollinson et al.	.....	D21/743

6,558,268	B2	*	5/2003	Tindale	.....	473/244
D574,910	S	*	8/2008	Jones et al.	.....	D21/743
D599,869	S	*	9/2009	Serrano et al.	.....	D21/736
D603,006	S	*	10/2009	Foster et al.	.....	D21/736
D604,782	S	*	11/2009	Franklin	.....	D21/736
D624,978	S	*	10/2010	Rollinson	.....	D21/743

\* cited by examiner

*Primary Examiner* — Mitchell Siegel

(74) *Attorney, Agent, or Firm* — Michael A. Catania;  
Rebecca Hanovice; Sonia Lari

(57) **CLAIM**

The ornamental design for a putter head, as shown and described.

**DESCRIPTION**

FIG. 1 is a top perspective view of a putter head as claimed herein;

FIG. 2 is a front elevational view thereof;

FIG. 3 is a top plan view thereof;

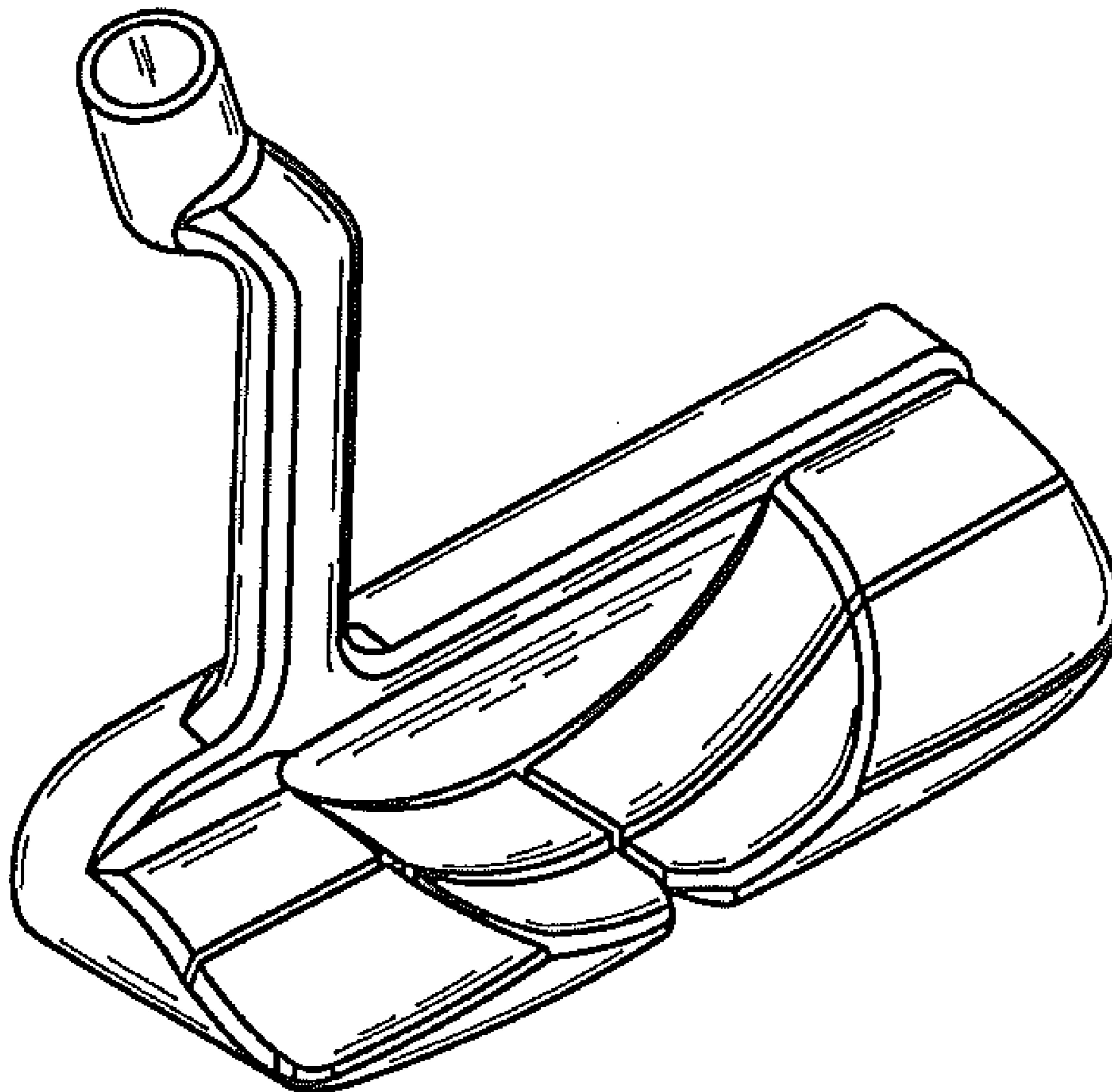
FIG. 4 is a rear elevational view thereof;

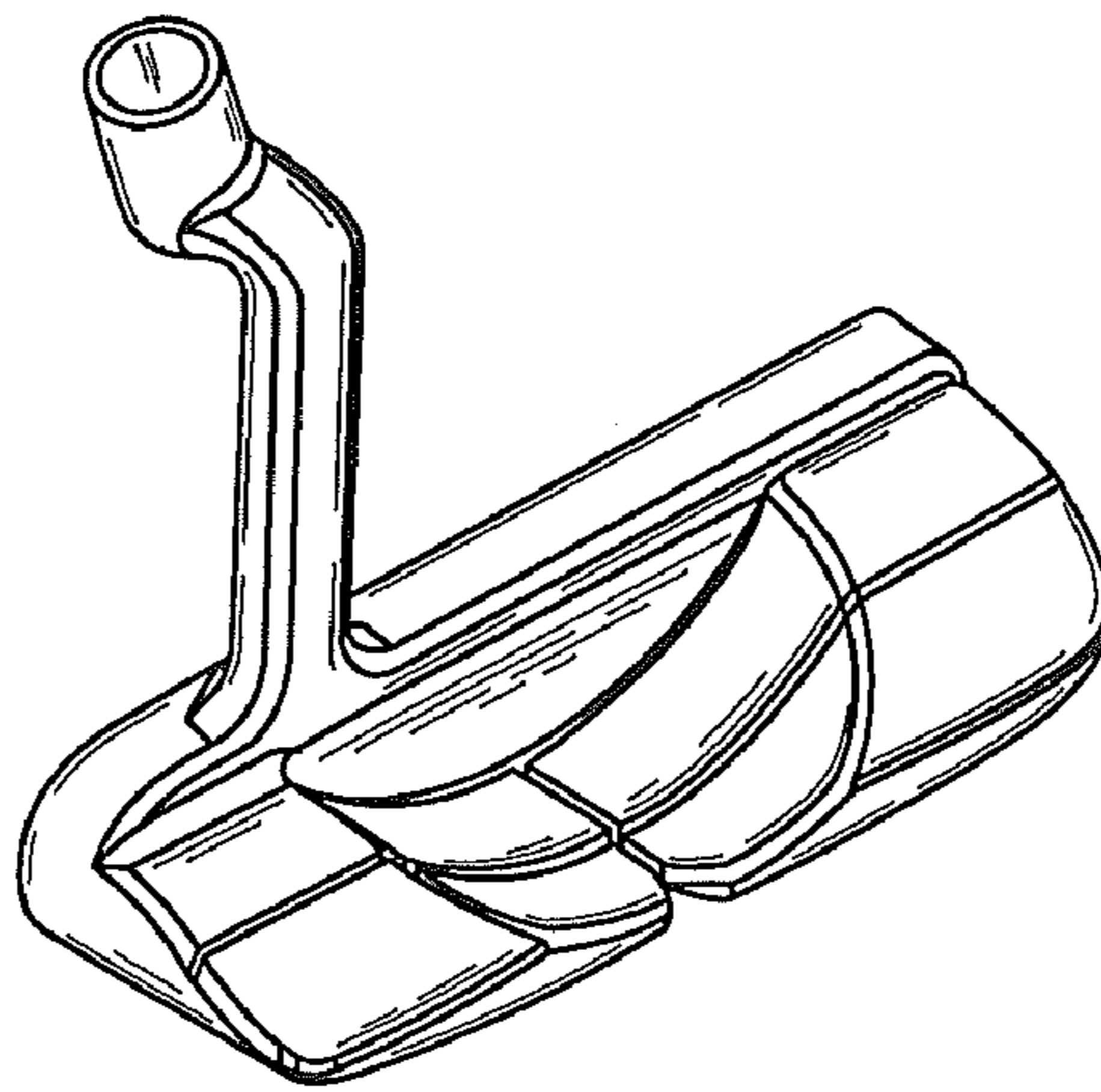
FIG. 5 is a bottom plan view thereof;

FIG. 6 is a toe elevational view thereof; and,

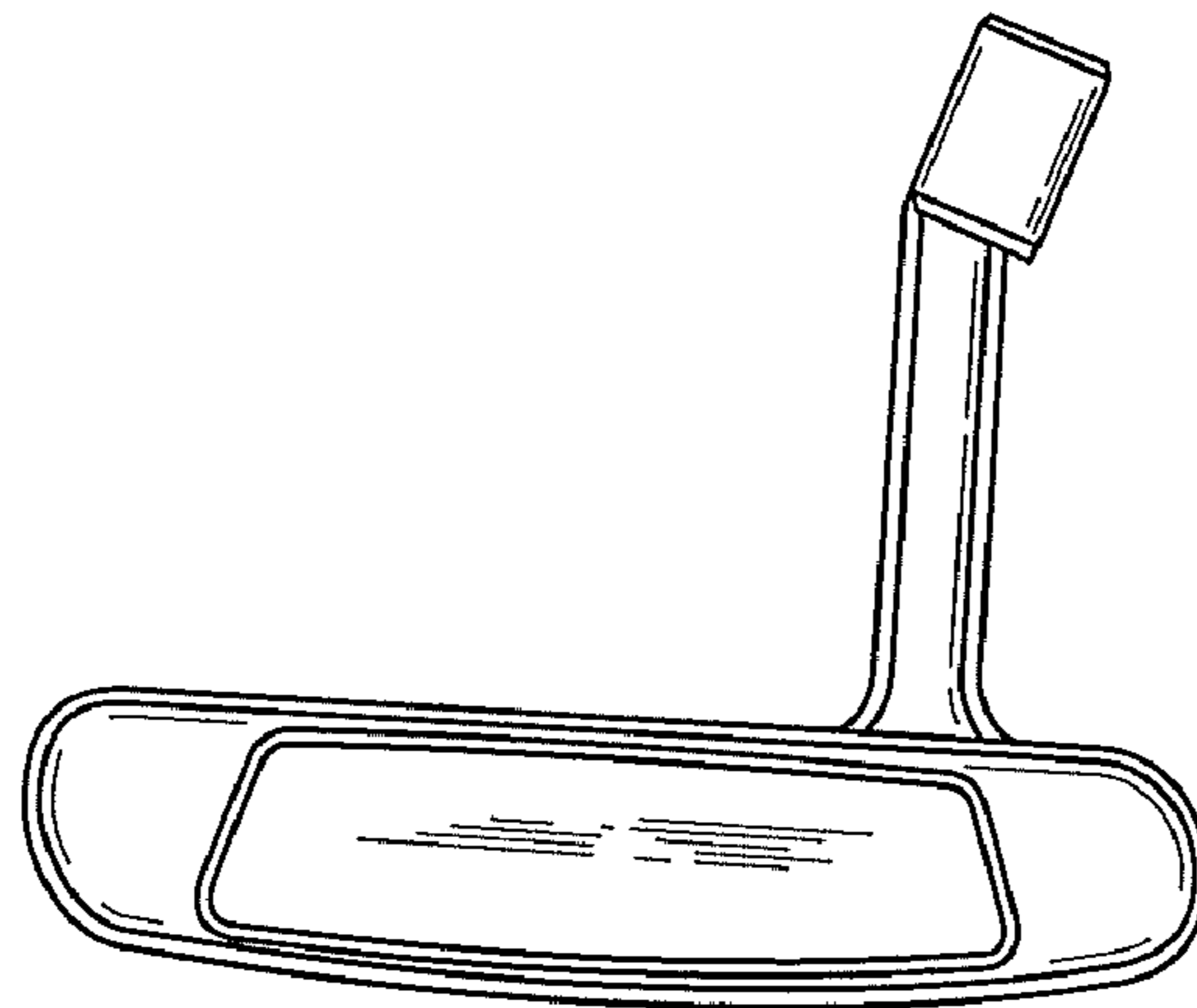
FIG. 7 is a heel elevational view thereof.

**1 Claim, 2 Drawing Sheets**

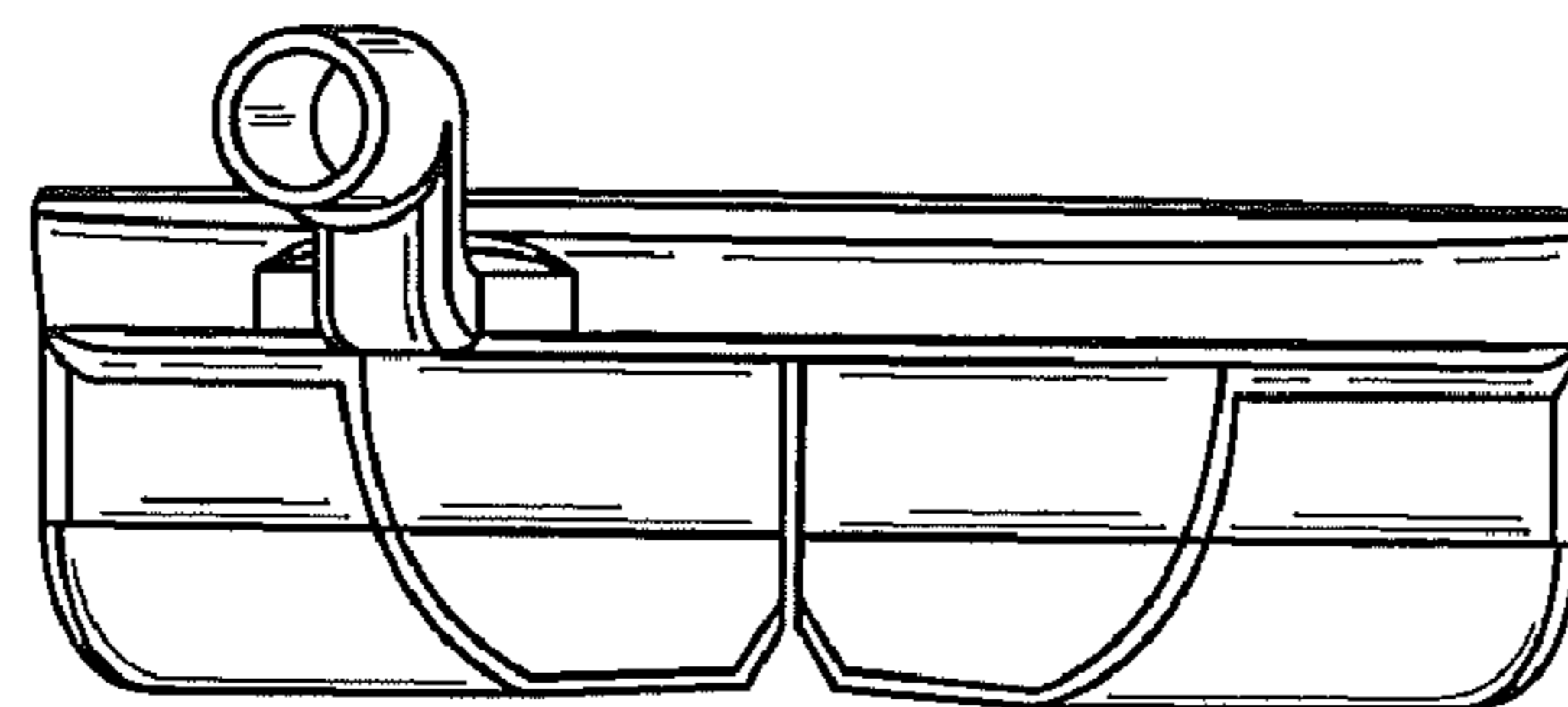




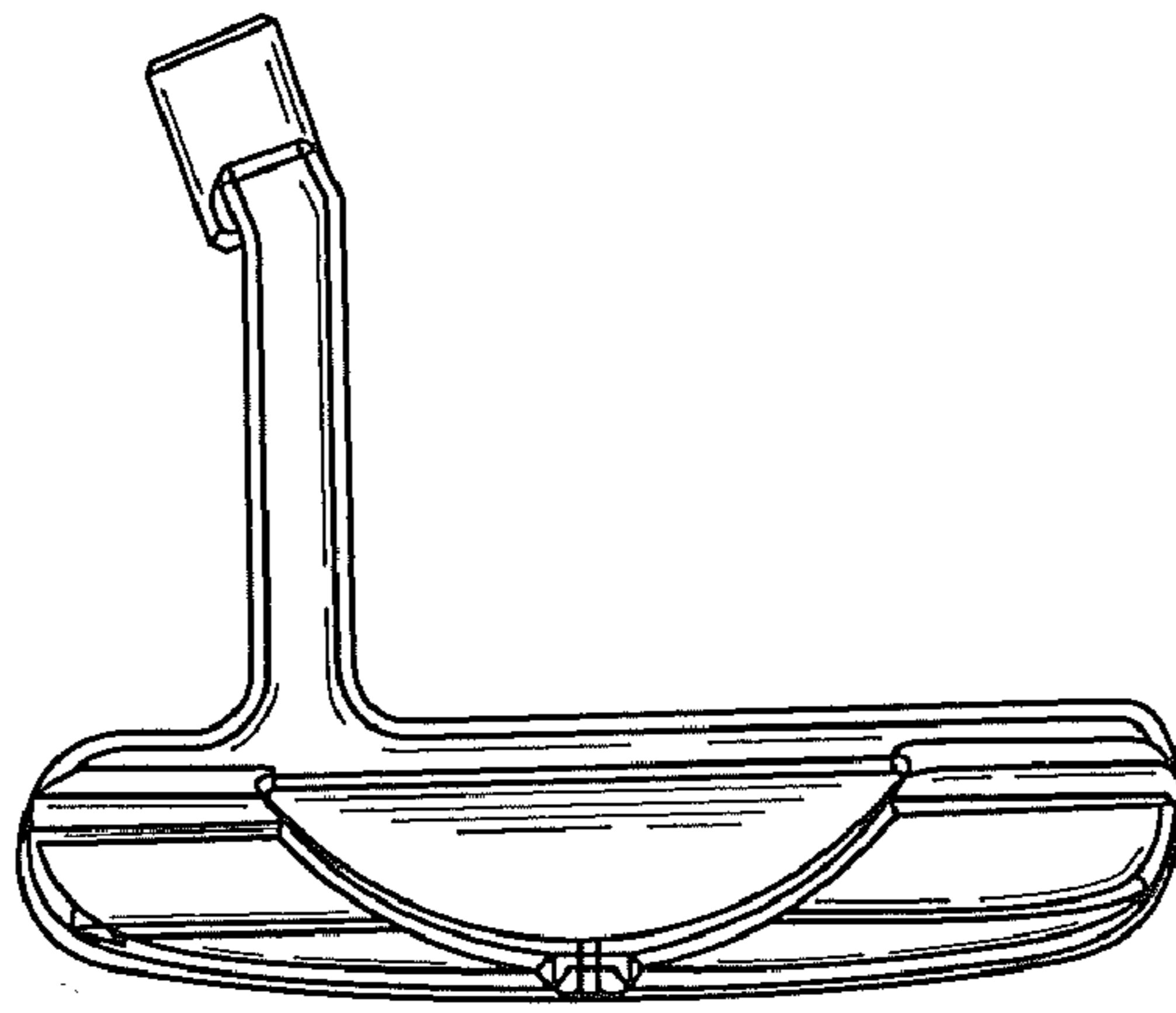
**FIG. 1**



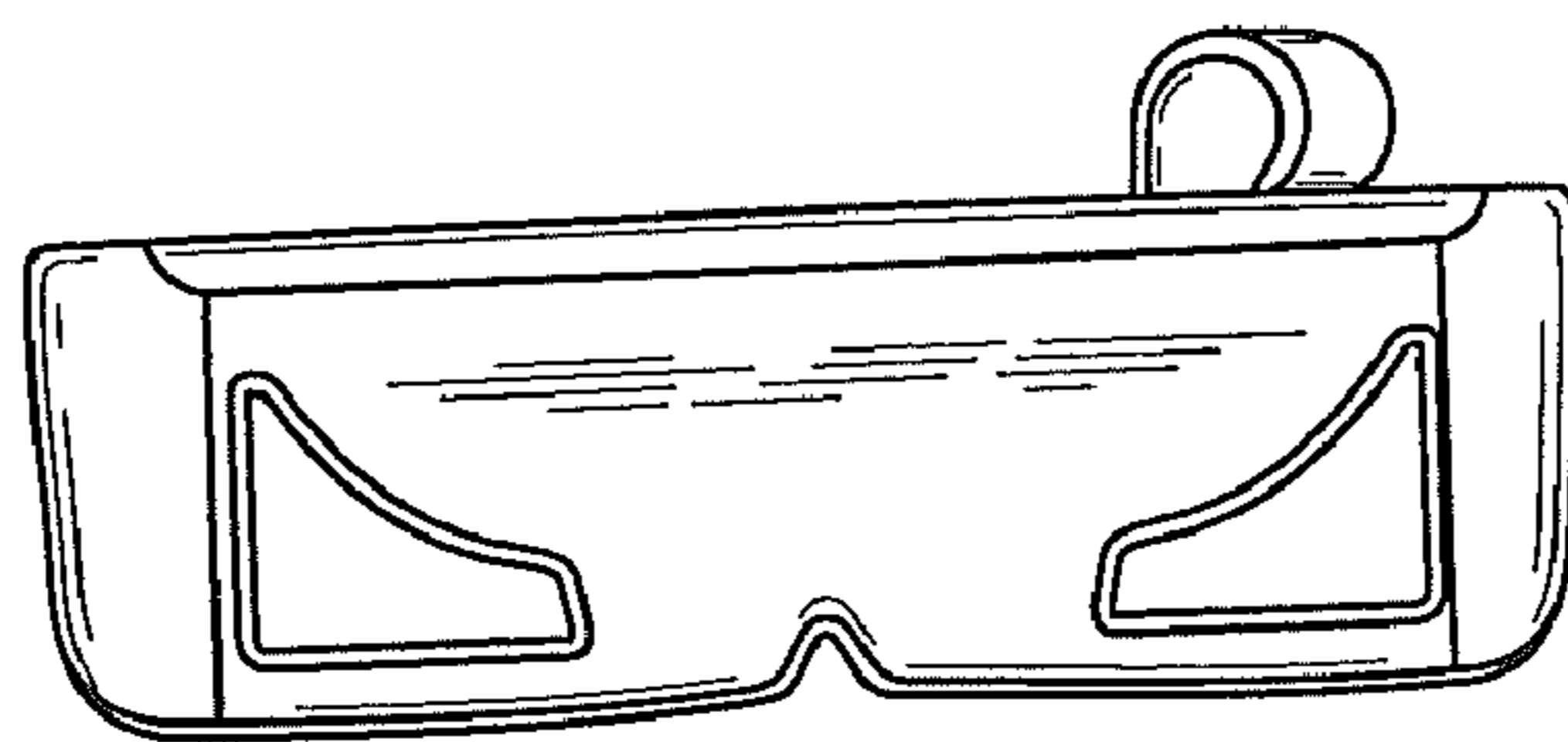
**FIG. 2**



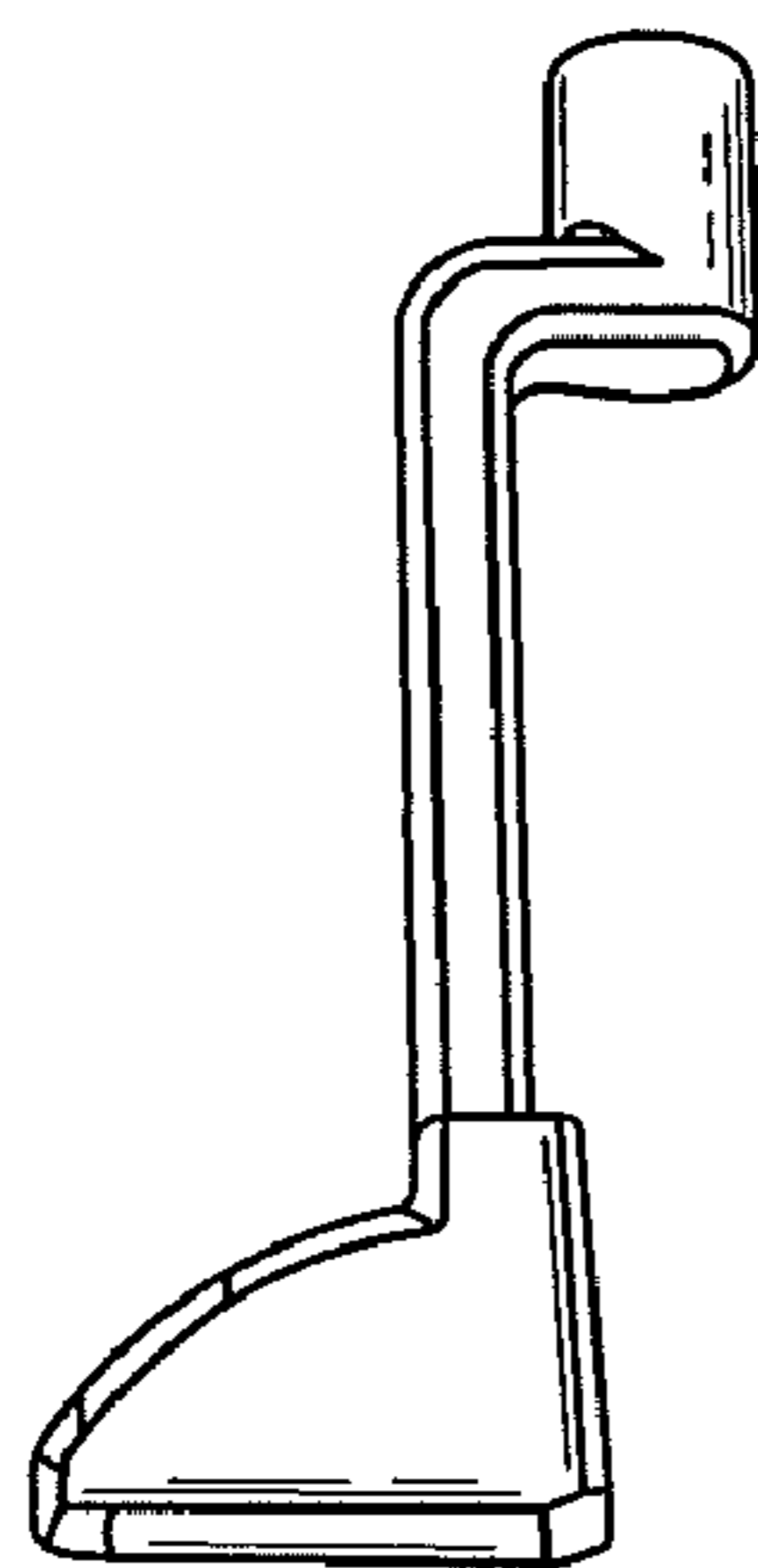
**FIG. 3**



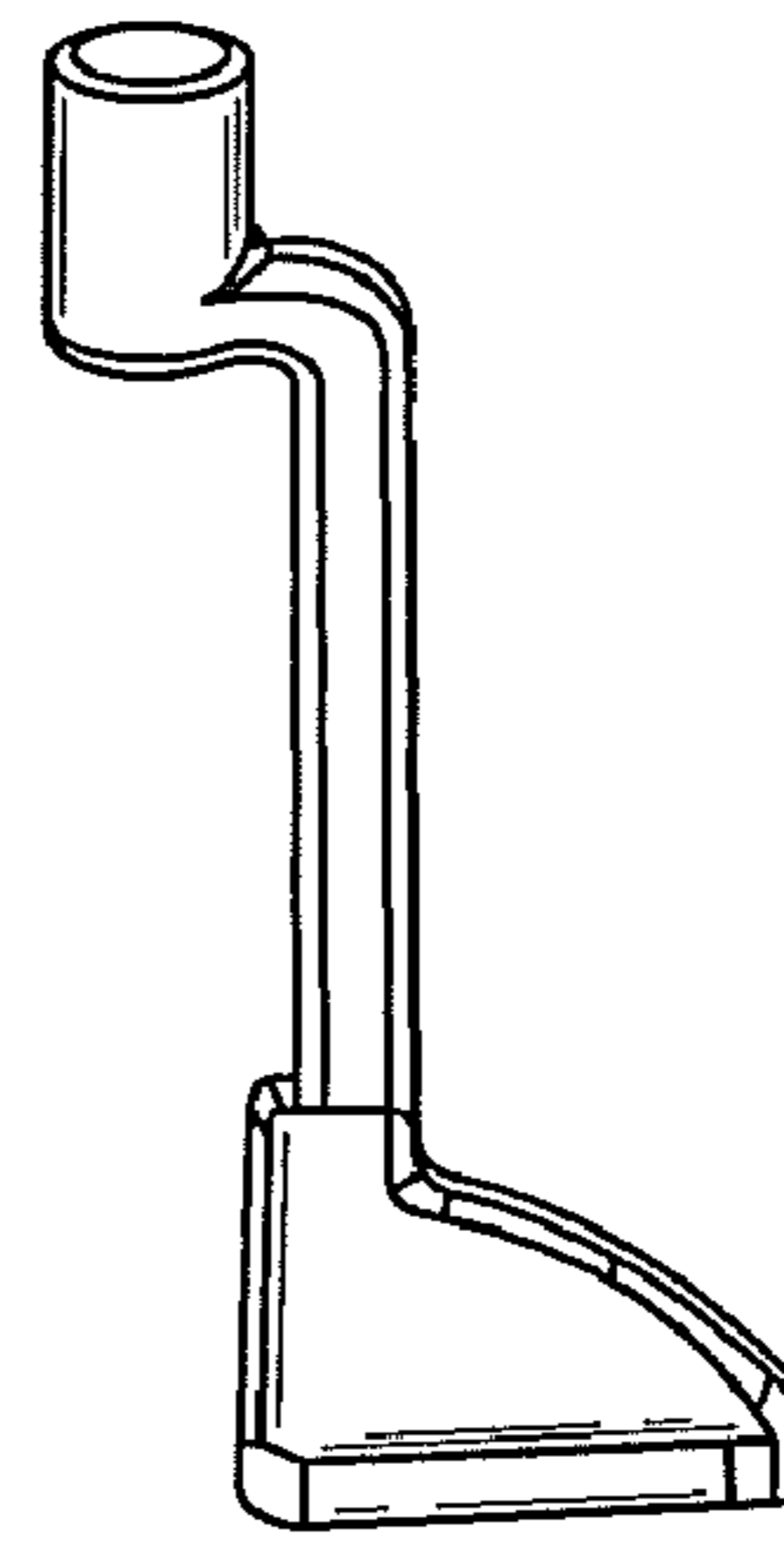
**FIG. 4**



**FIG. 5**



**FIG. 6**



**FIG. 7**