



US00D641440S

(12) **United States Design Patent**
Hettinger et al.

(10) **Patent No.:** **US D641,440 S**

(45) **Date of Patent:** **** *Jul. 12, 2011**

(54) **PUTTER HEAD**

(75) Inventors: **Ronald K. Hettinger**, Oceanside, CA
(US); **Augustin W. Rollinson**, Carlsbad,
CA (US)

(73) Assignee: **Callaway Golf Company**, Carlsbad, CA
(US)

(*) Notice: This patent is subject to a terminal dis-
claimer.

(**) Term: **14 Years**

(21) Appl. No.: **29/377,064**

(22) Filed: **Oct. 15, 2010**

(51) **LOC (9) Cl.** **21-02**

(52) **U.S. Cl.** **D21/743**

(58) **Field of Classification Search** D21/736-746;
473/324-331, 340-341, 251-256
See application file for complete search history.

(56) **References Cited**

U.S. PATENT DOCUMENTS

D396,083 S * 7/1998 Sheets D21/742

D474,520 S * 5/2003 Mills D21/744
D532,468 S * 11/2006 Hettinger D21/743
D590,463 S * 4/2009 Hettinger et al. D21/743
D592,718 S * 5/2009 Hettinger D21/743
D634,801 S * 3/2011 Rollinson D21/743

* cited by examiner

Primary Examiner — Mitchell Seigel

(74) *Attorney, Agent, or Firm* — Michael A. Catania;
Rebecca Hanovice; Sonia Lari

(57) **CLAIM**

The ornamental design for a putter head, as shown and
described.

DESCRIPTION

FIG. 1 is a top perspective view of a putter head as claimed
herein;

FIG. 2 is a front elevational view thereof;

FIG. 3 is a top plan view thereof;

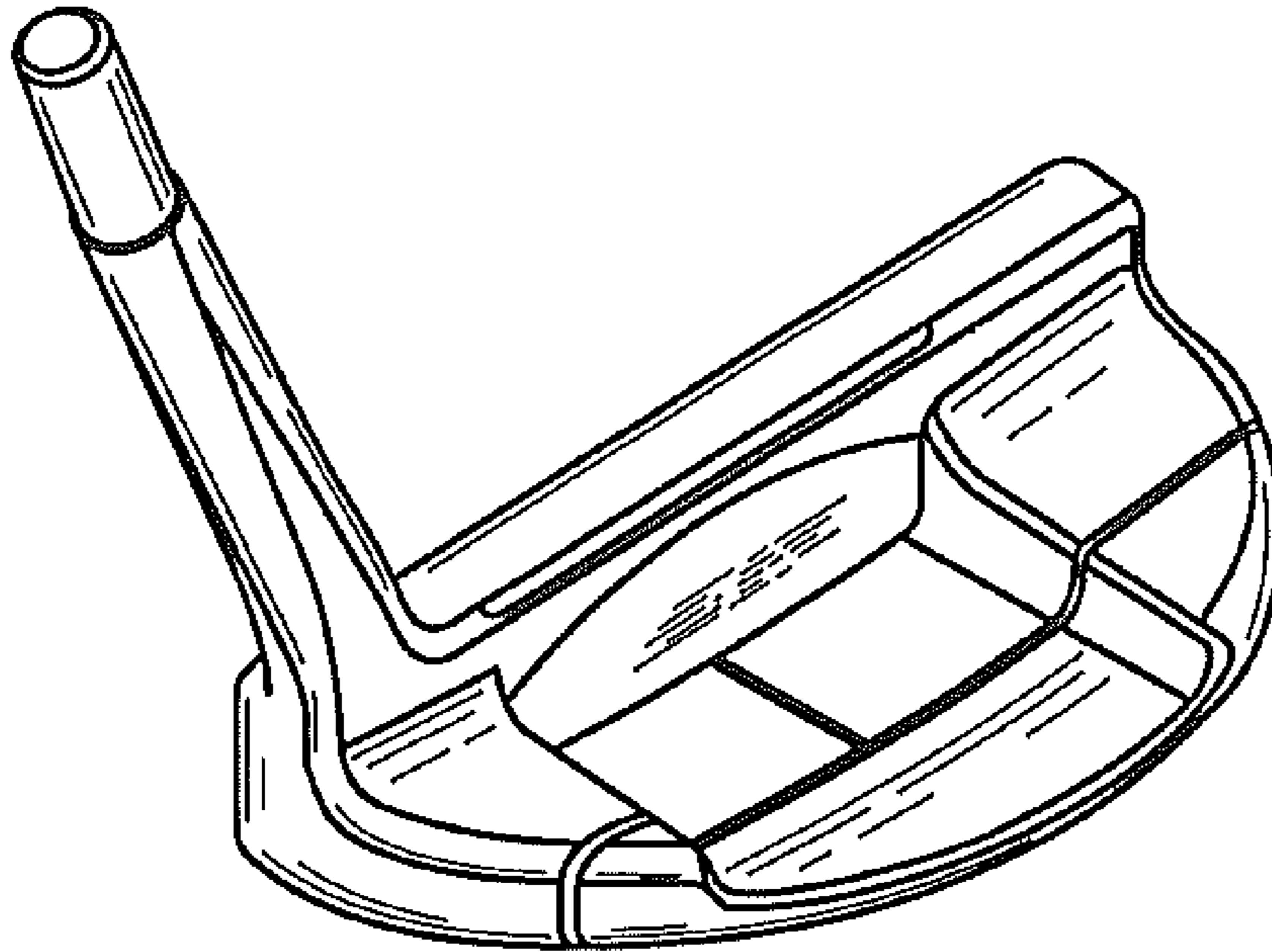
FIG. 4 is a rear elevational view thereof;

FIG. 5 is a bottom plan view thereof;

FIG. 6 is a toe elevational view thereof; and,

FIG. 7 is a heel elevational view thereof.

1 Claim, 2 Drawing Sheets



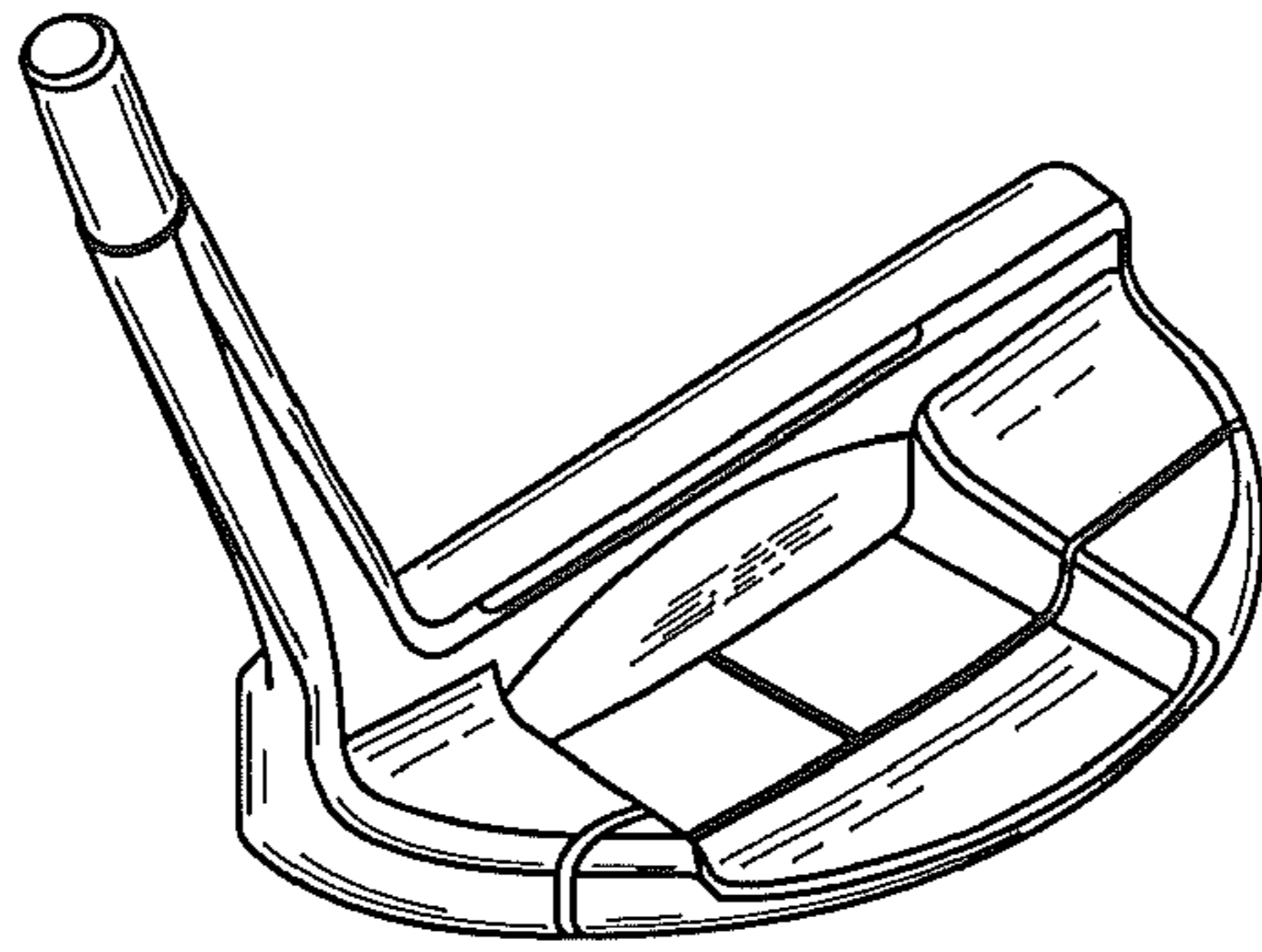


FIG. 1

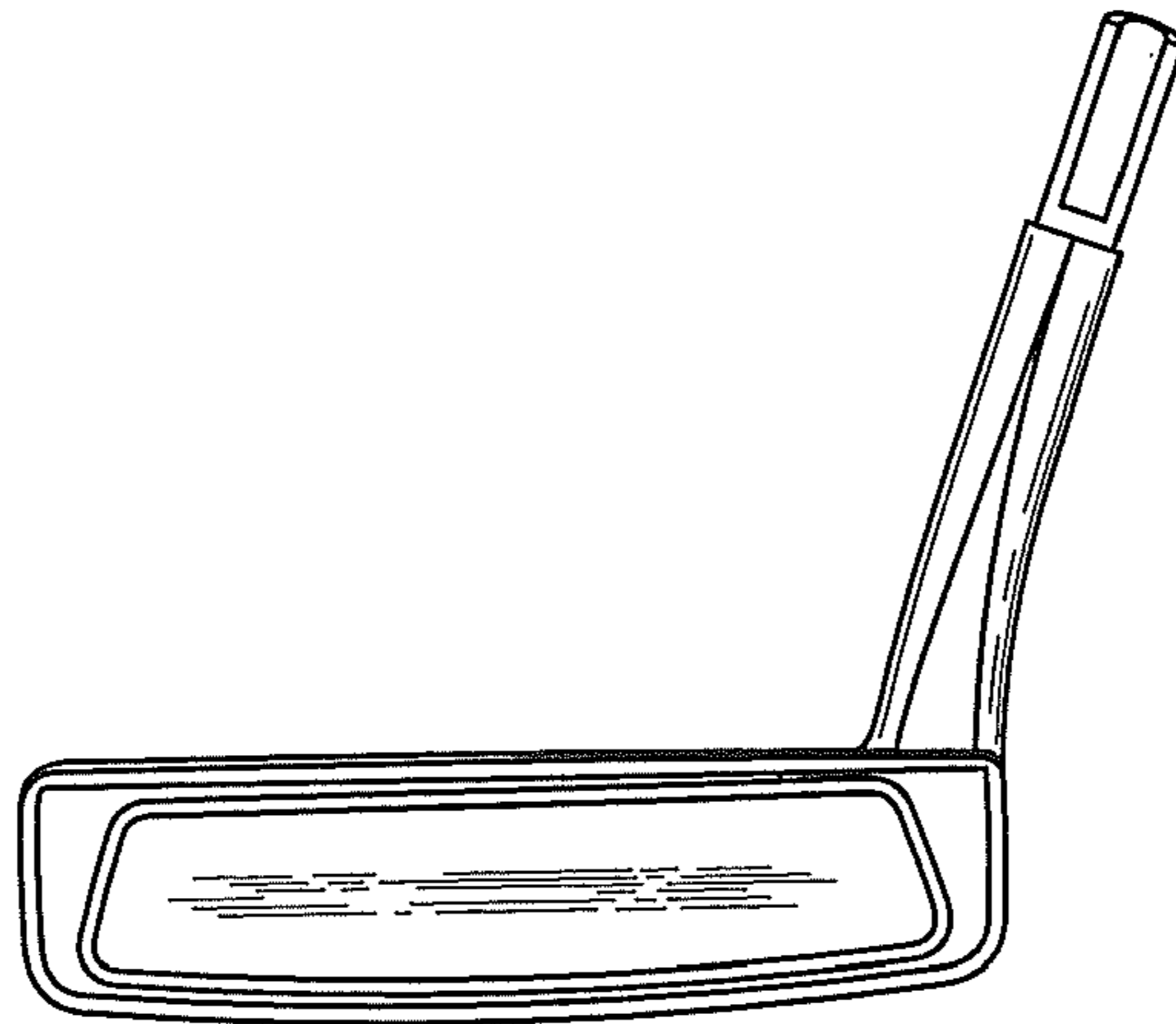


FIG. 2

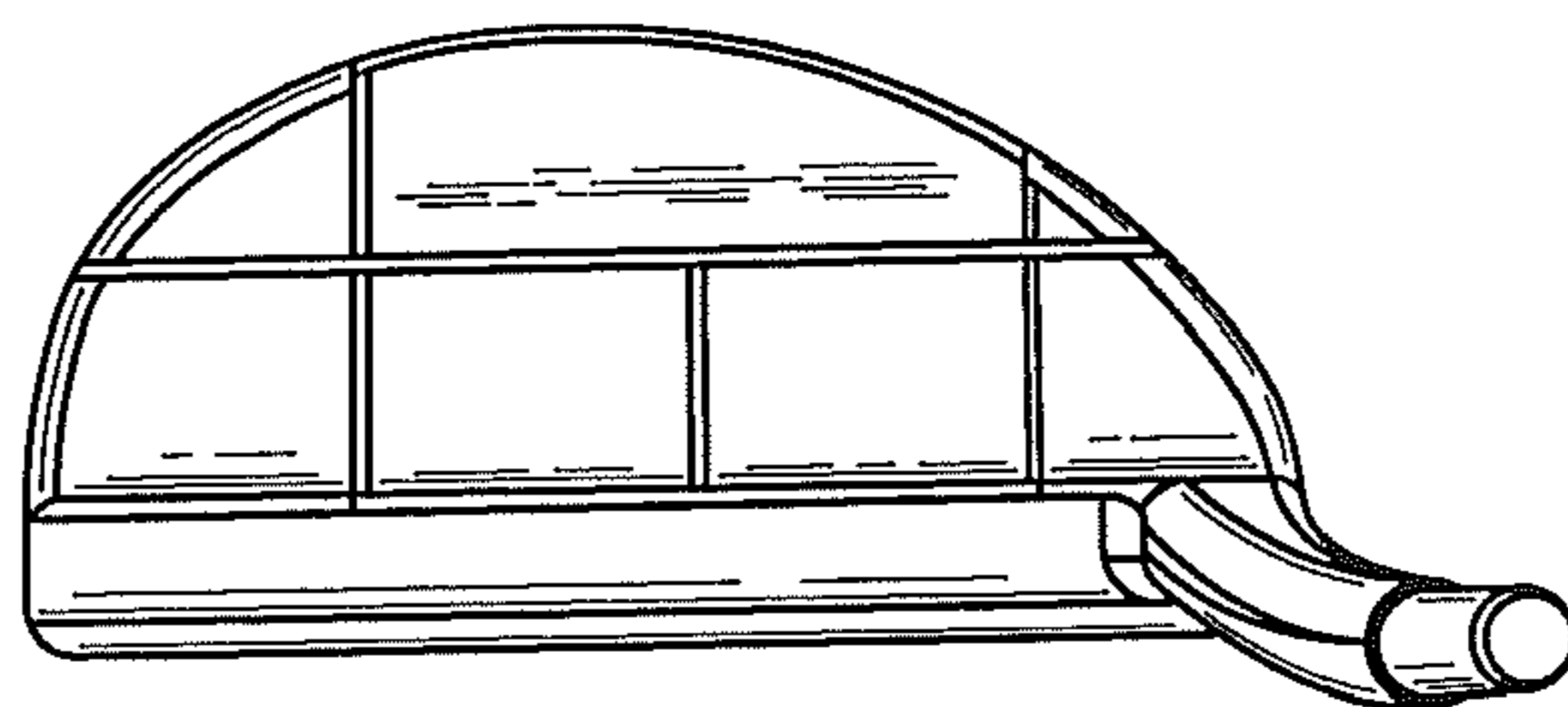


FIG. 3

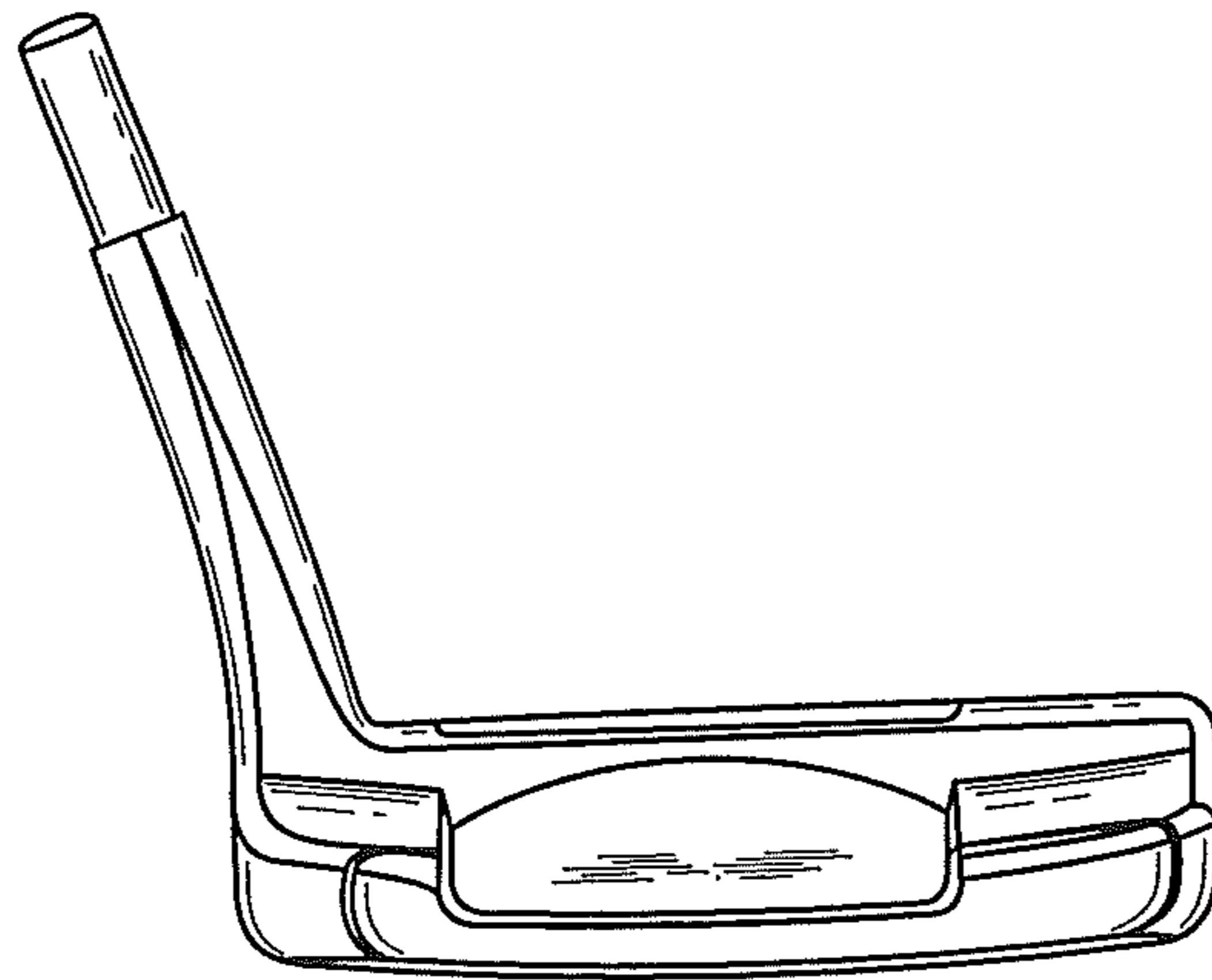


FIG. 4

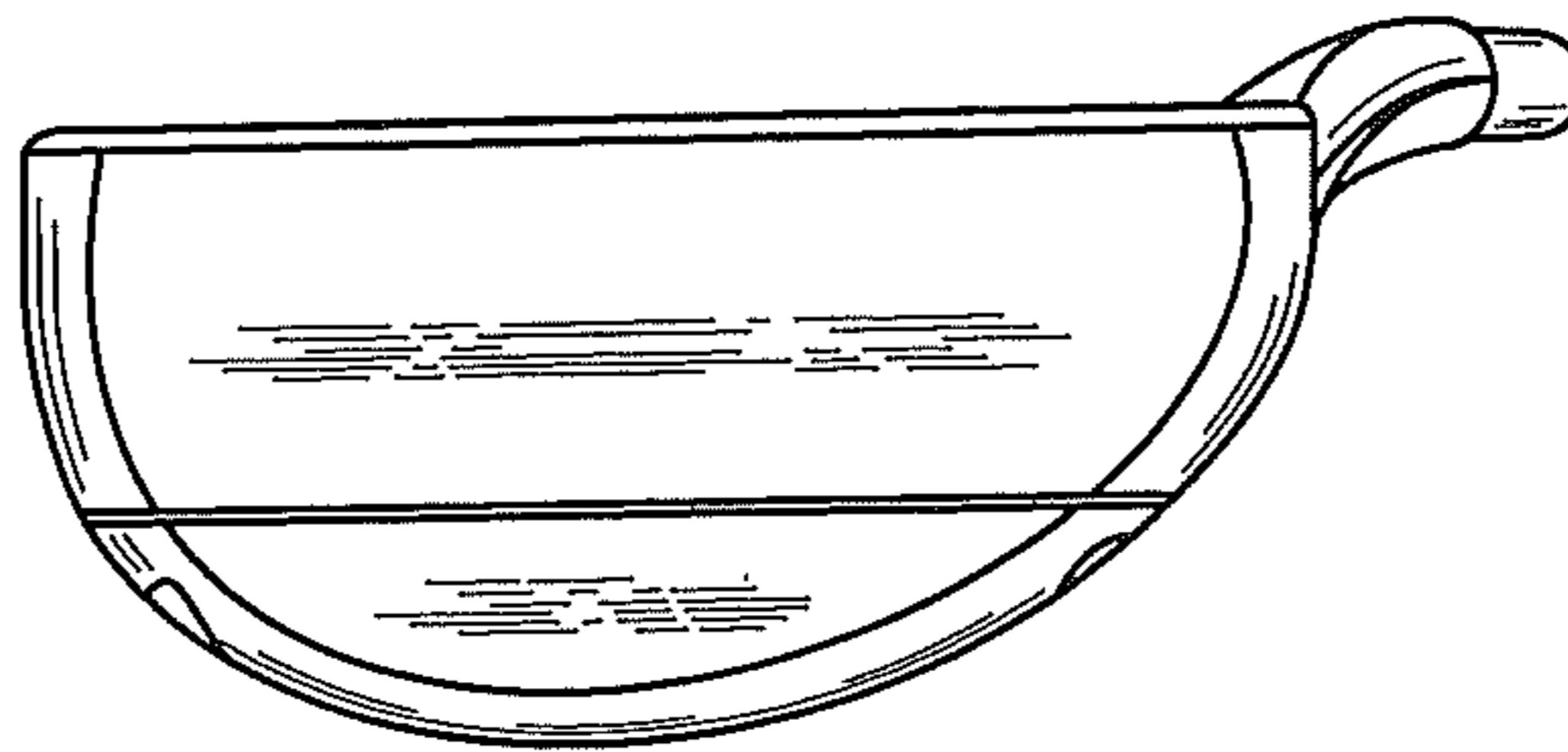


FIG. 5

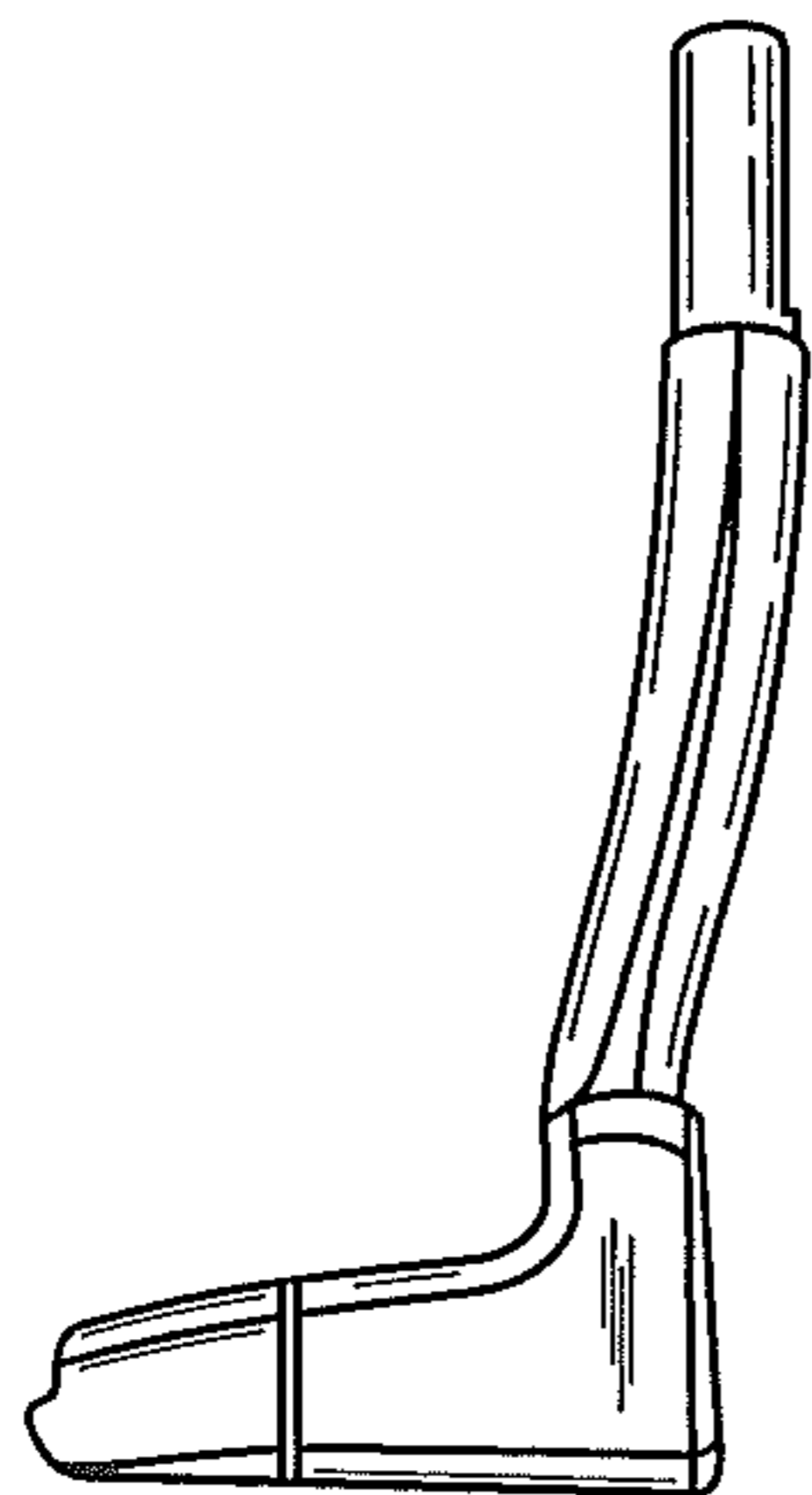


FIG. 6

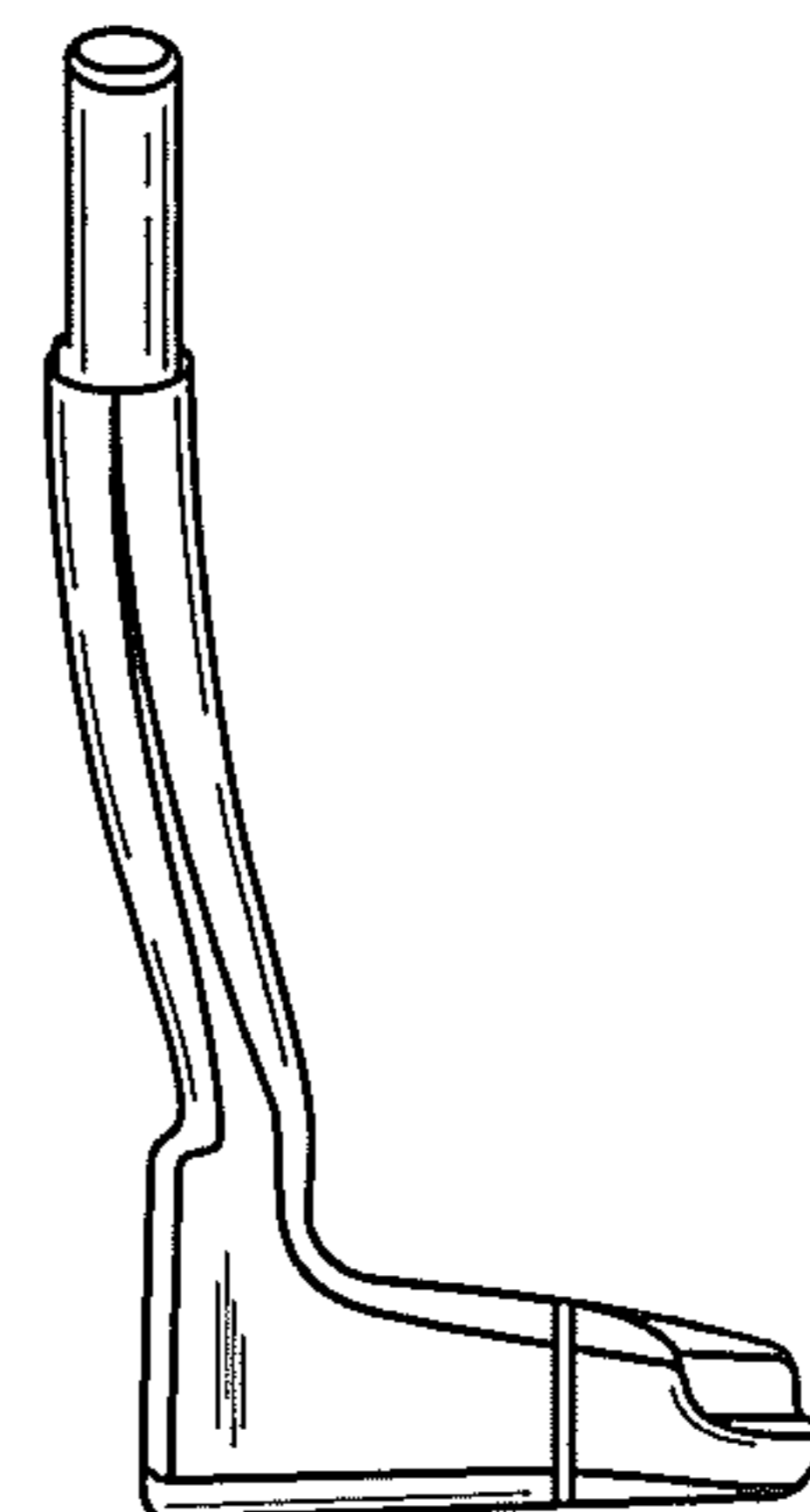


FIG. 7