



US00D641439S

(12) **United States Design Patent**  
**Rollinson et al.**

(10) **Patent No.:** **US D641,439 S**

(45) **Date of Patent:** **\*\* Jul. 12, 2011**

(54) **PUTTER HEAD**

D591,371 S \* 4/2009 Hilton ..... D21/736  
D621,460 S \* 8/2010 Serrano et al. .... D21/742  
D623,251 S \* 9/2010 Rollinson ..... D21/744

(75) Inventors: **Augustin W. Rollinson**, Carlsbad, CA  
(US); **Thomas R. Hilton**, Cardiff, CA  
(US)

\* cited by examiner

(73) Assignee: **Callaway Golf Company**, Carlsbad, CA  
(US)

*Primary Examiner* — Mitchell Siegel

(74) *Attorney, Agent, or Firm* — Michael A. Catania;  
Rebecca Hanovice; Sonia Lari

(\*\*) Term: **14 Years**

(57) **CLAIM**

(21) Appl. No.: **29/377,320**

The ornamental design for a putter head, as shown and described.

(22) Filed: **Oct. 20, 2010**

**DESCRIPTION**

(51) **LOC (9) Cl.** ..... **21-02**

(52) **U.S. Cl.** ..... **D21/736**

(58) **Field of Classification Search** ..... D21/736-746;  
473/324-331, 340-341, 251-256

See application file for complete search history.

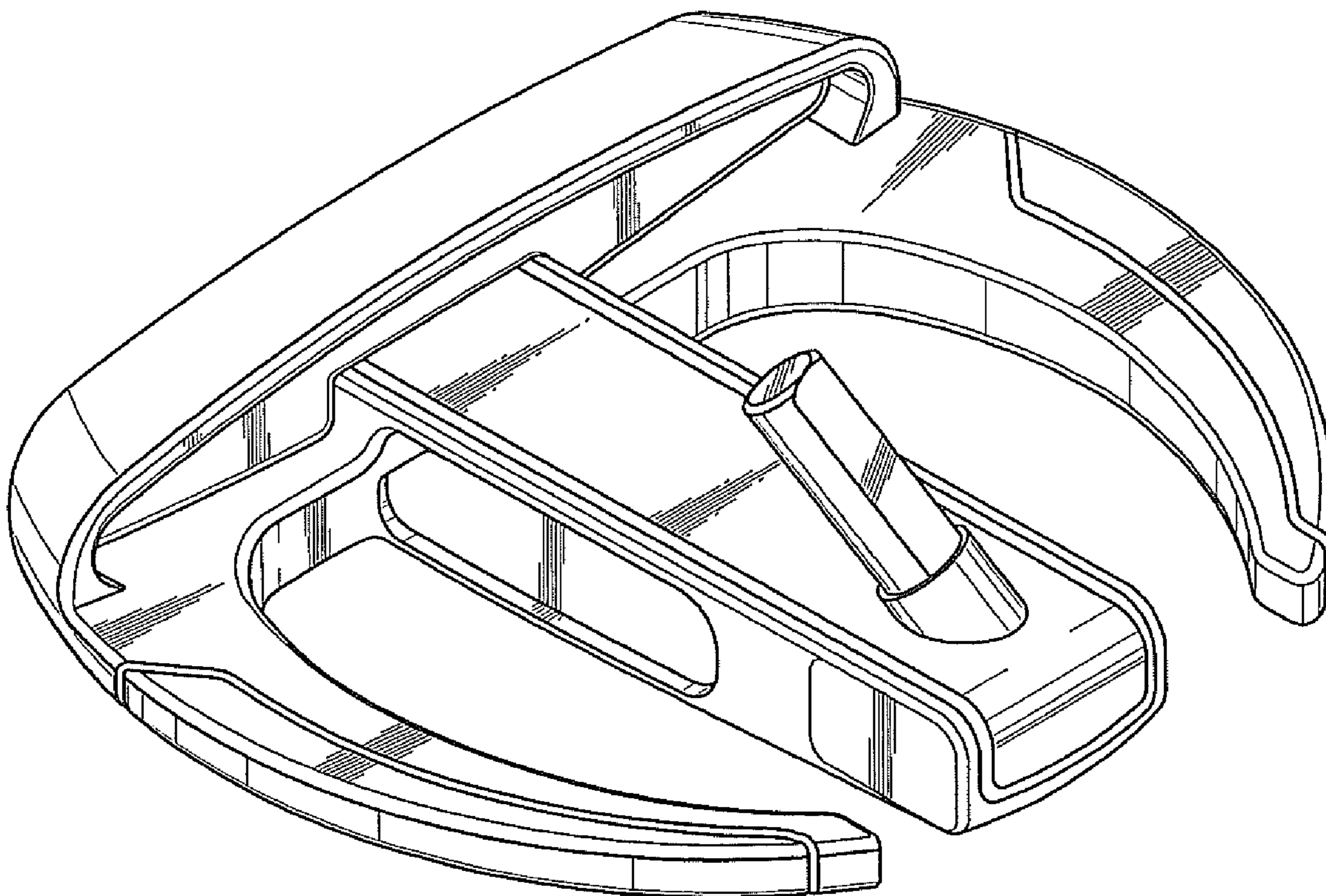
FIG. 1 is a top perspective view of a putter head as claimed herein;  
FIG. 2 is a front elevational view thereof;  
FIG. 3 is a top plan view thereof;  
FIG. 4 is a rear elevational view thereof;  
FIG. 5 is a bottom plan view thereof;  
FIG. 6 is a toe elevational view thereof; and,  
FIG. 7 is a heel elevational view thereof.

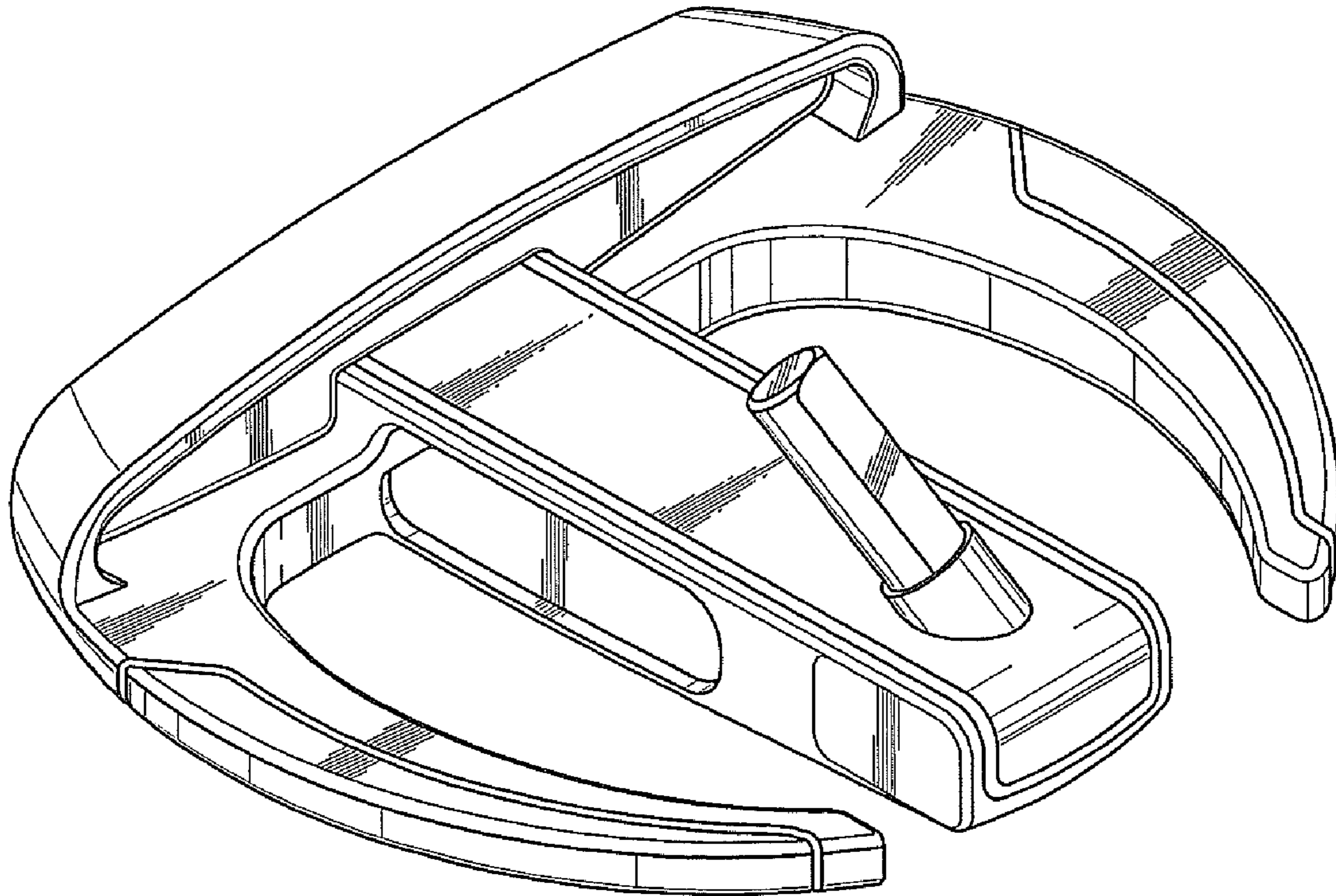
(56) **References Cited**

U.S. PATENT DOCUMENTS

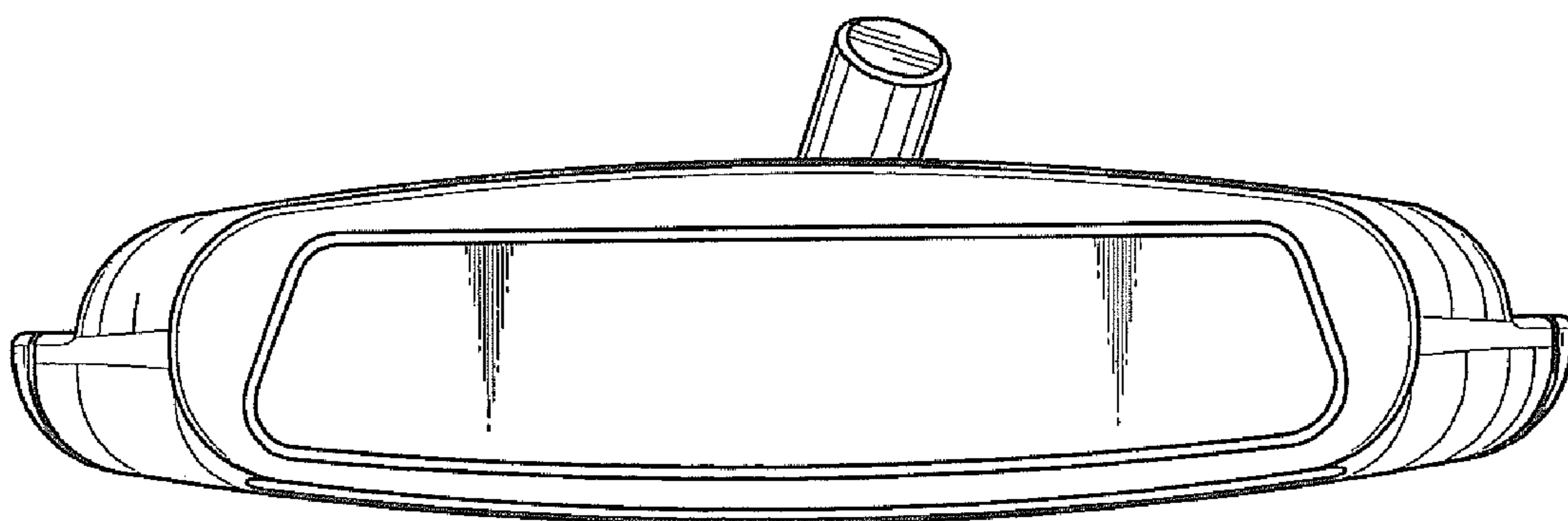
D574,908 S \* 8/2008 Hettinger et al. .... D21/743  
D577,398 S \* 9/2008 Hilton ..... D21/744

**1 Claim, 3 Drawing Sheets**

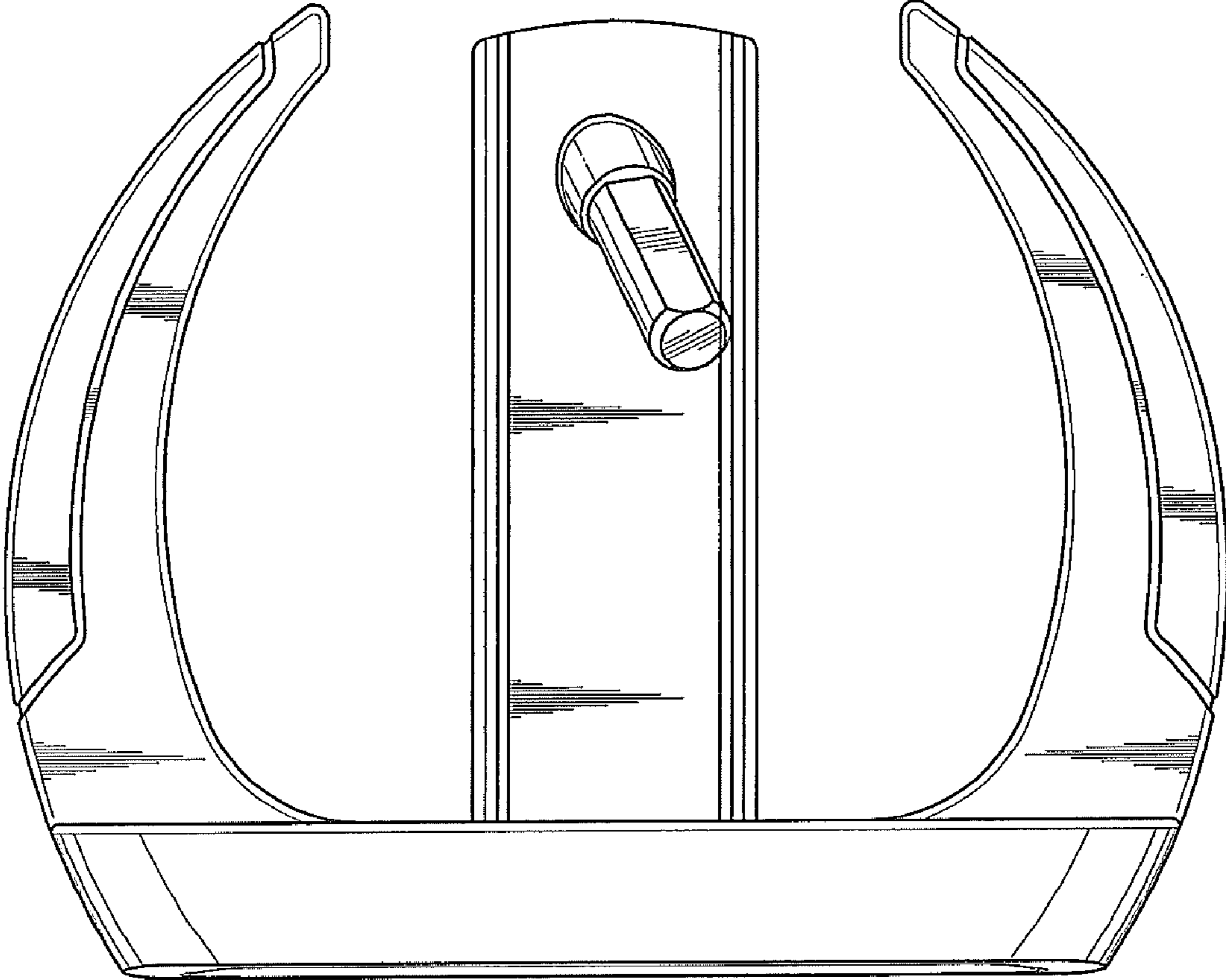




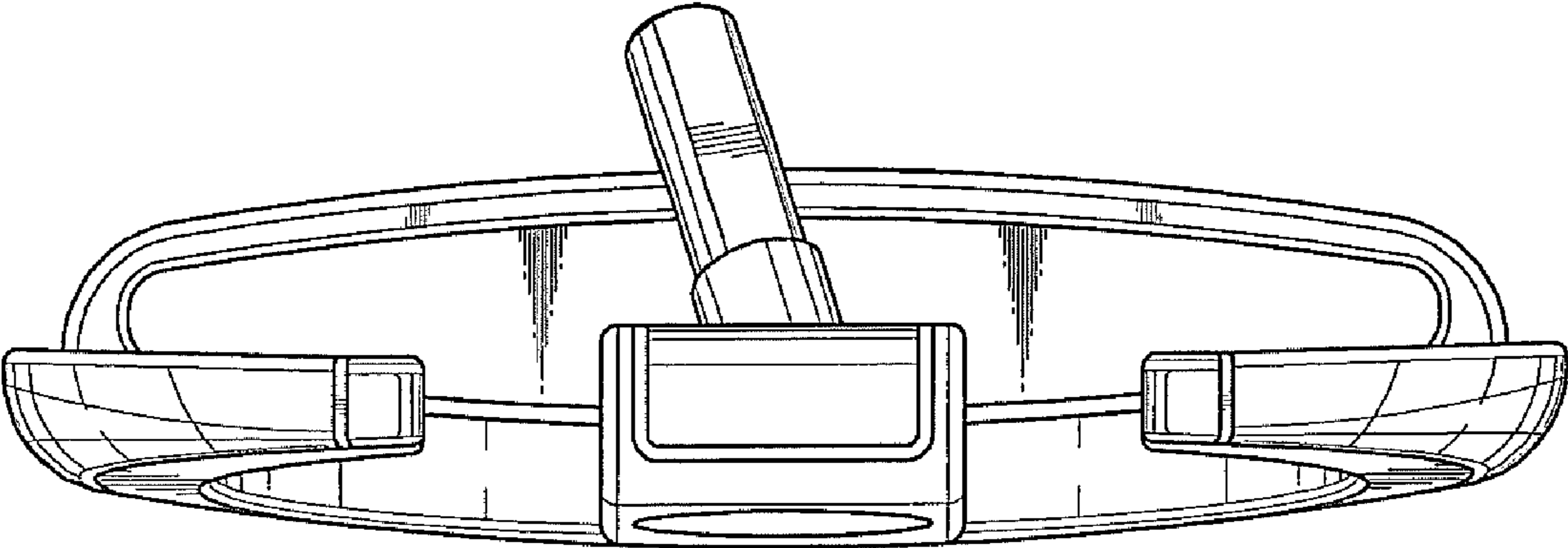
*FIG. 1*



*FIG. 2*



*FIG. 3*



*FIG. 4*



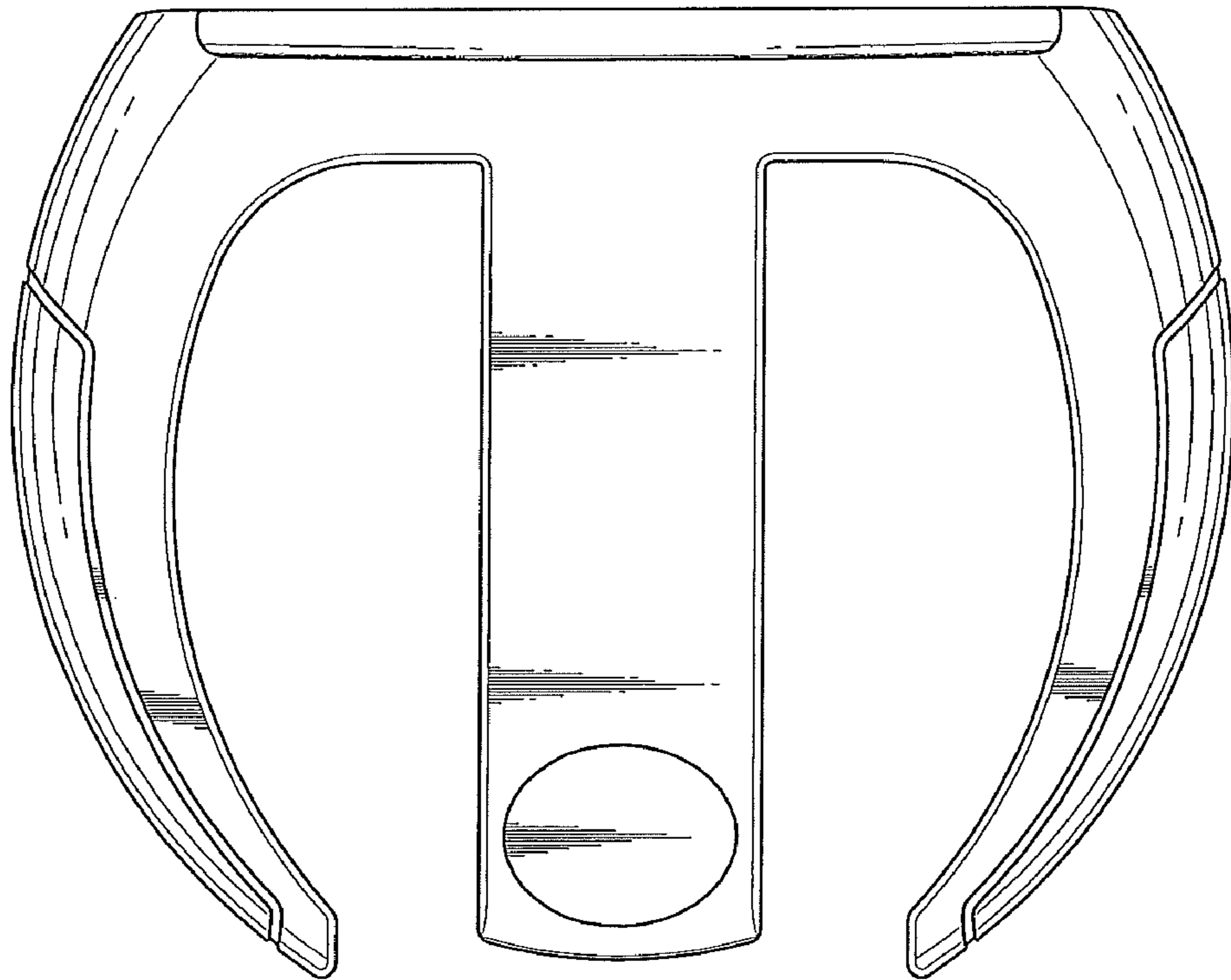


FIG. 5

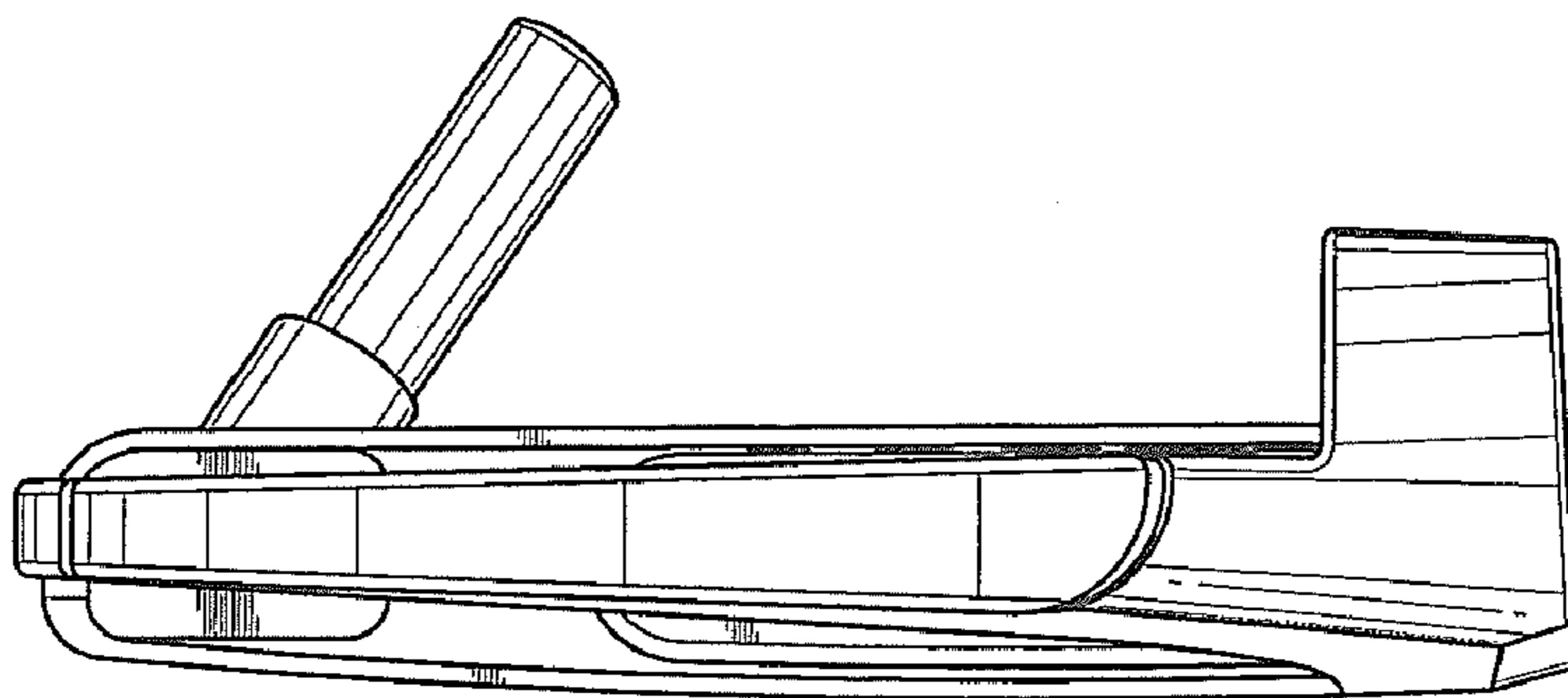


FIG. 6

FIG. 7

