



US00D641436S

(12) **United States Design Patent**  
**Campitelli**

(10) **Patent No.:** **US D641,436 S**

(45) **Date of Patent:** **\*\* Jul. 12, 2011**

(54) **EXERCISE MACHINE**

(76) Inventor: **Frank Campitelli**, Medina, OH (US)

(\*\*) Term: **14 Years**

(21) Appl. No.: **29/376,210**

(22) Filed: **Oct. 4, 2010**

5,217,422	A *	6/1993	Domzalski	482/138
5,364,326	A *	11/1994	Smith et al.	482/113
5,370,595	A *	12/1994	Voris et al.	482/100
5,669,865	A *	9/1997	Gordon	482/142
6,113,522	A *	9/2000	Fontenot et al.	482/111
7,731,638	B2 *	6/2010	Webber et al.	482/72
7,806,813	B2 *	10/2010	Campitelli	482/138
2006/0211549	A1 *	9/2006	Nohejl	482/97
2007/0293378	A1 *	12/2007	Webber et al.	482/97
2008/0132389	A1 *	6/2008	Webber et al.	482/94

\* cited by examiner

**Related U.S. Application Data**

(63) Continuation-in-part of application No. 12/410,927, filed on Mar. 25, 2009, now Pat. No. 7,806,813, which is a continuation-in-part of application No. 10/971,752, filed on Oct. 22, 2004, now abandoned.

(51) **LOC (9) Cl.** ..... **21-02**

(52) **U.S. Cl.** ..... **D21/694**

(58) **Field of Classification Search** ..... D21/662, D21/673-676, 679, 681, 686, 690-691, 694; 482/92, 94, 97, 100, 104, 106, 108, 111, 482/135, 138, 140, 142, 144-145, 148

See application file for complete search history.

(56) **References Cited**

**U.S. PATENT DOCUMENTS**

4,211,403	A *	7/1980	Coffaro et al.	482/138
4,861,024	A *	8/1989	Lee	482/104
5,050,873	A *	9/1991	Jones	482/138

*Primary Examiner* — Susan E Krakower

(74) *Attorney, Agent, or Firm* — Sand & Sebolt

(57) **CLAIM**

The ornamental design for an exercise machine, as shown and described.

**DESCRIPTION**

FIG. 1 is a perspective view of an exercise machine of the present invention.

FIG. 2 is a right side elevational view thereof.

FIG. 3 is a left side elevational view thereof.

FIG. 4 is a top plan view thereof.

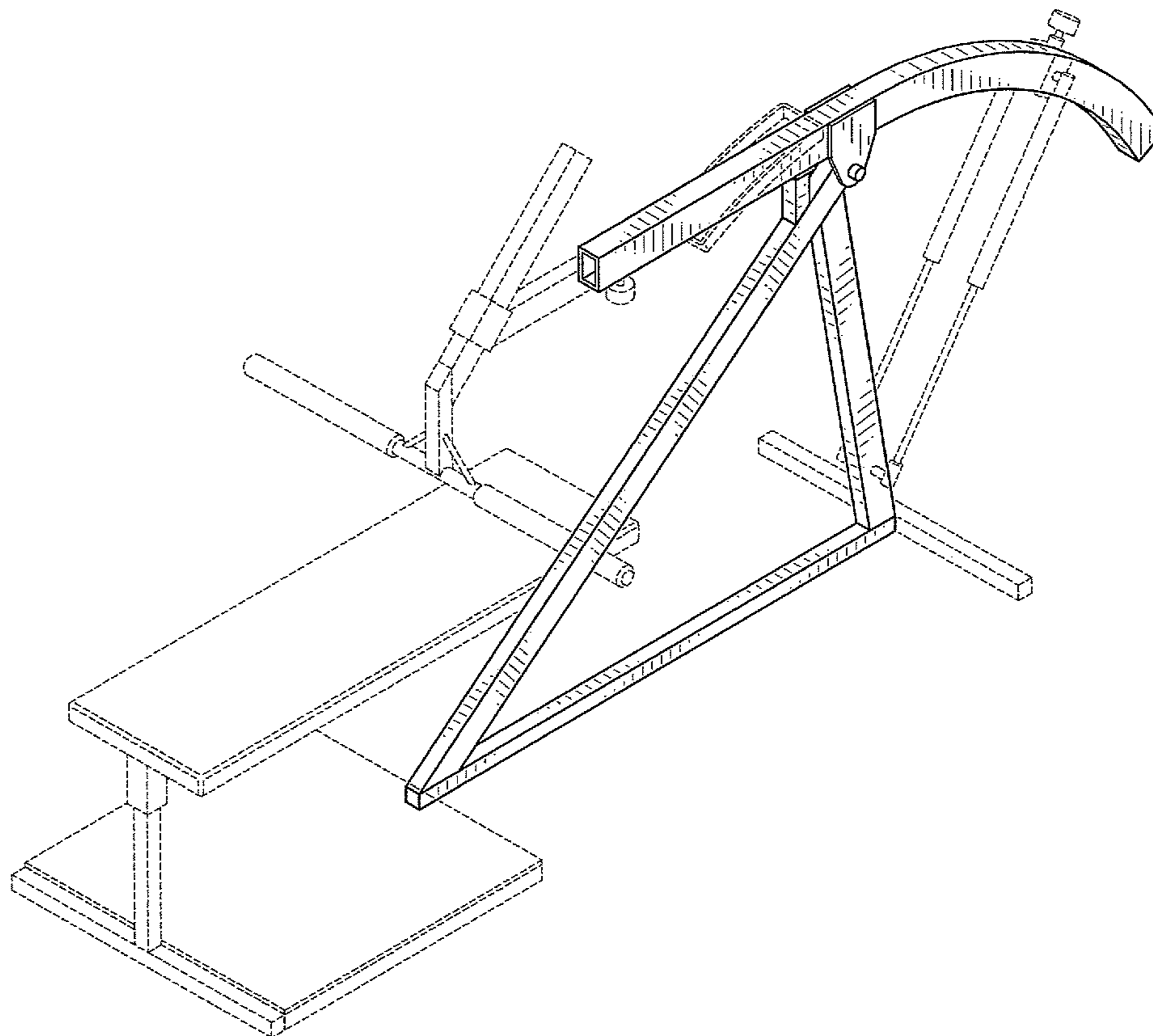
FIG. 5 is a bottom plan view thereof.

FIG. 6 is a front elevational view thereof; and,

FIG. 7 is a rear elevational view thereof.

The broken lines illustrate portions an exercise machine which forms no part of the claimed design.

**1 Claim, 6 Drawing Sheets**



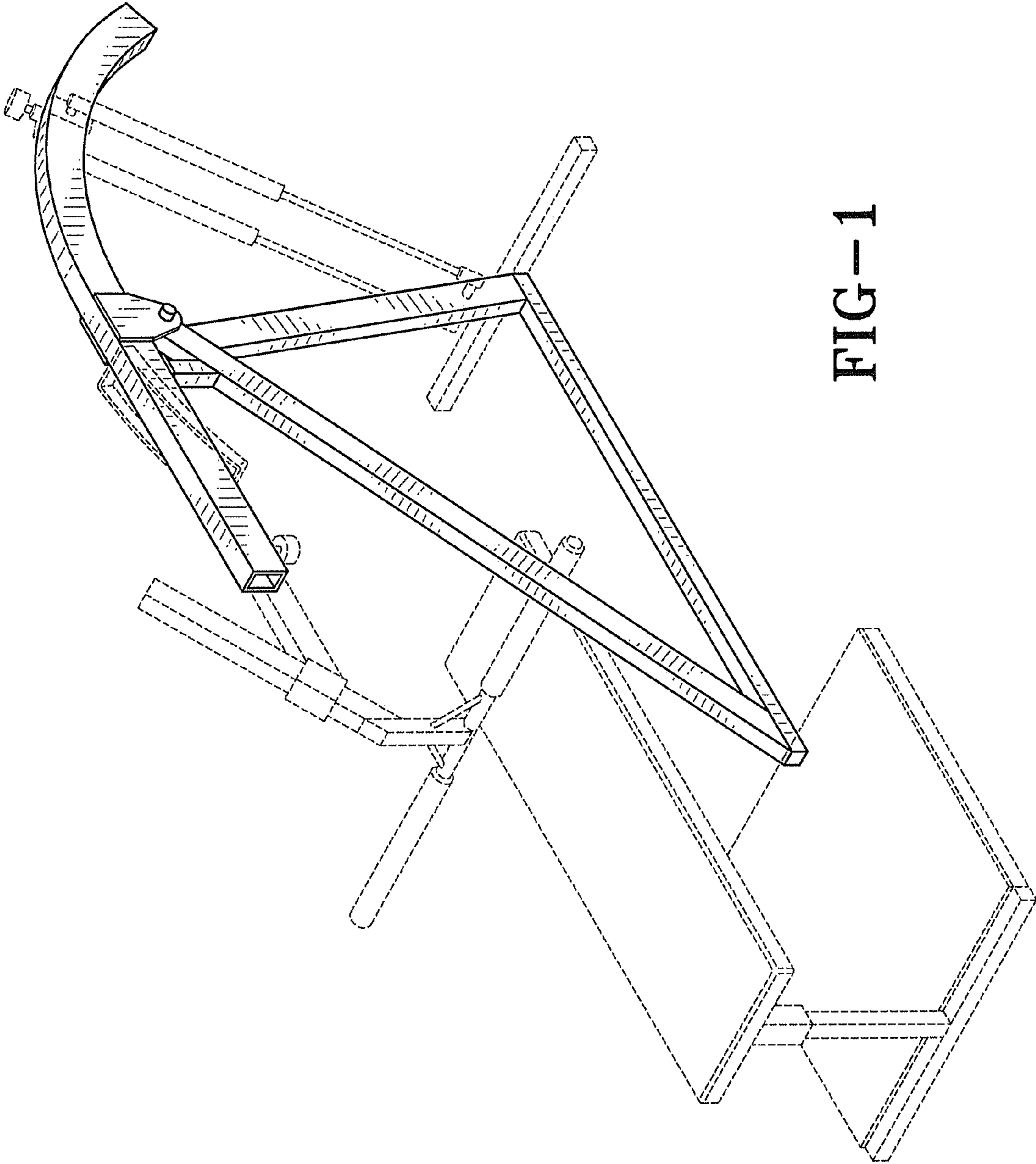


FIG-1

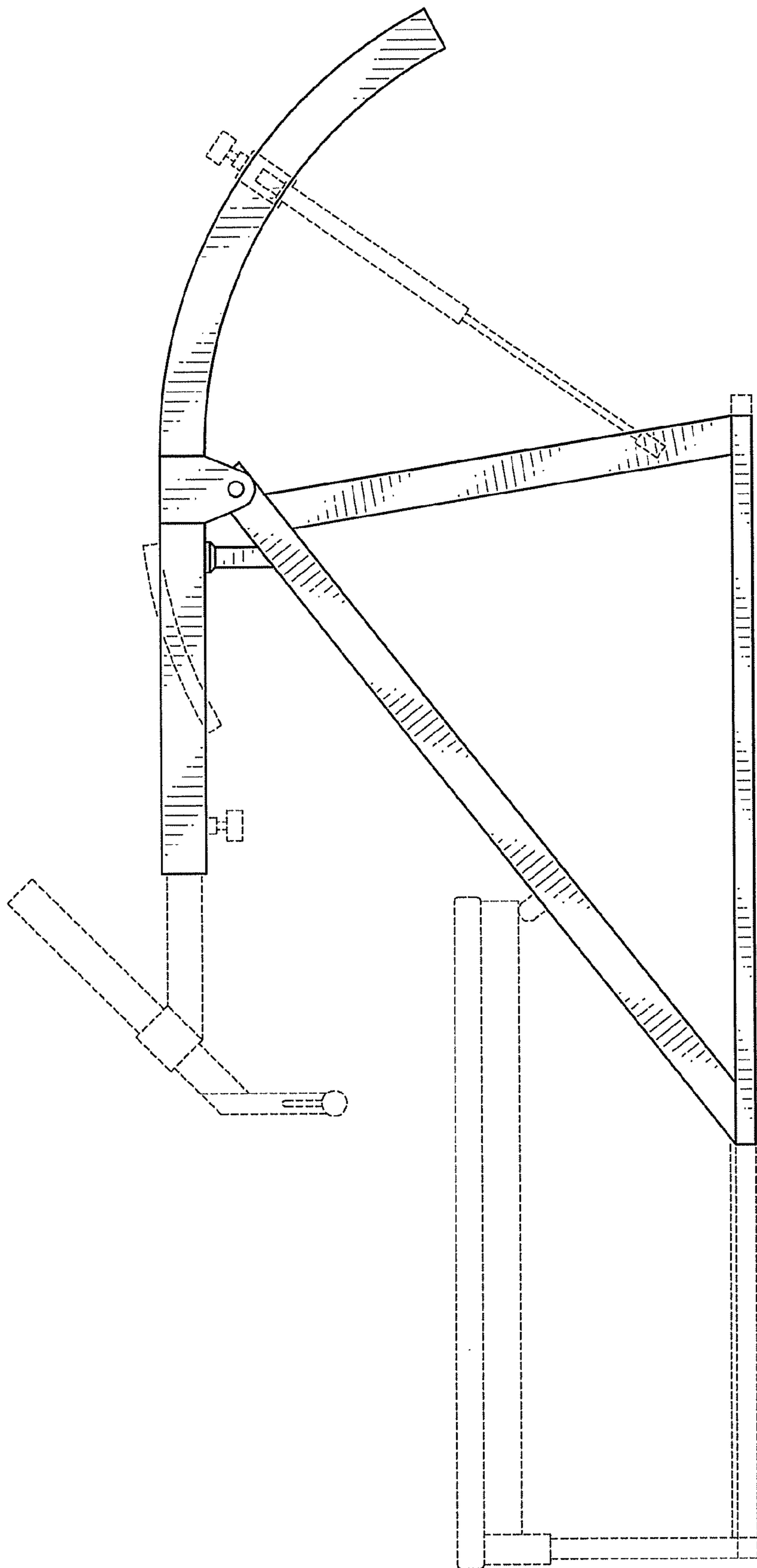


FIG-2

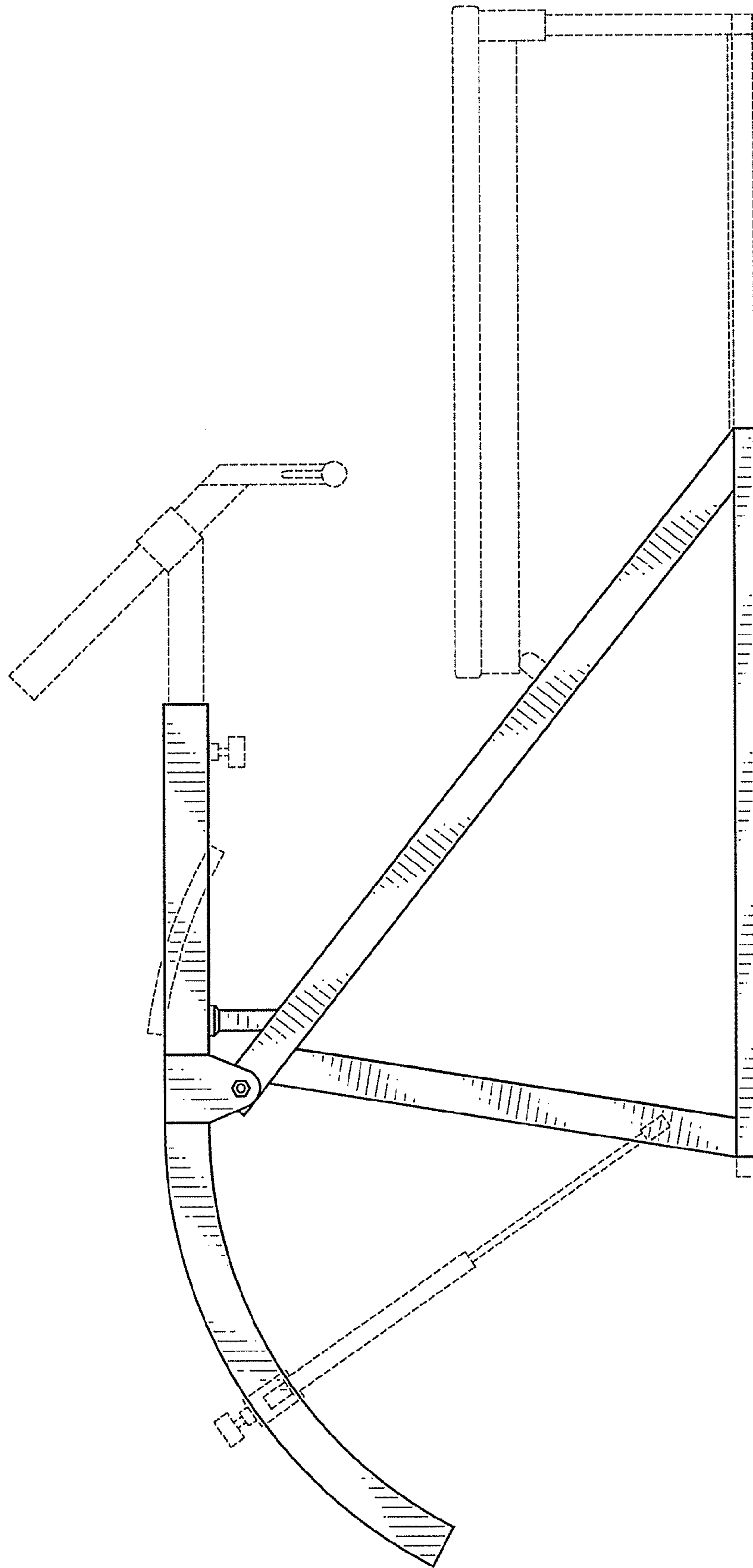


FIG-3

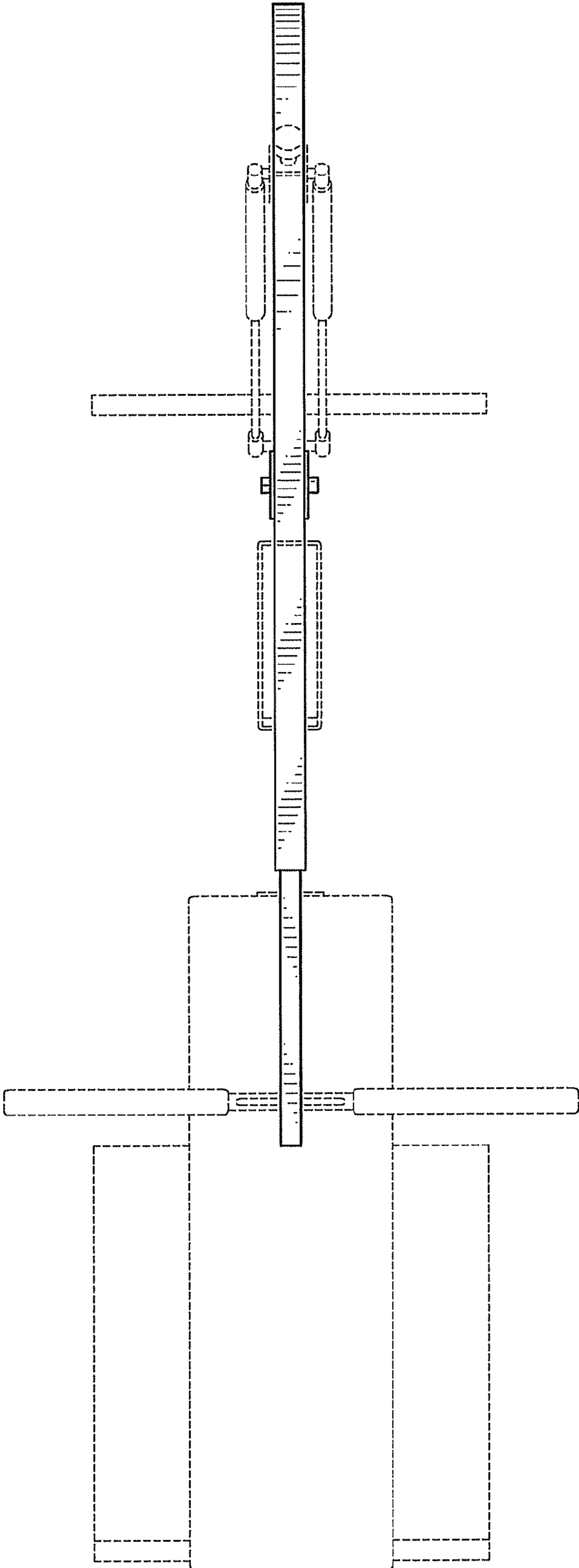


FIG-4

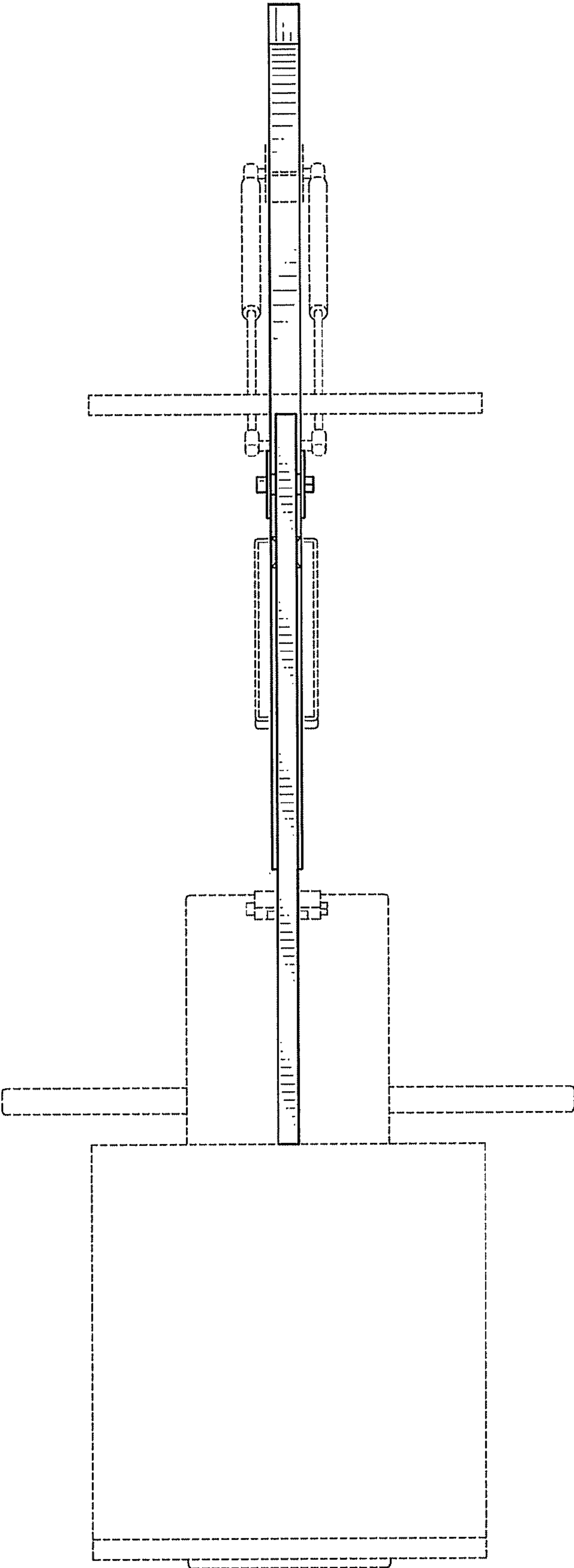


FIG--5

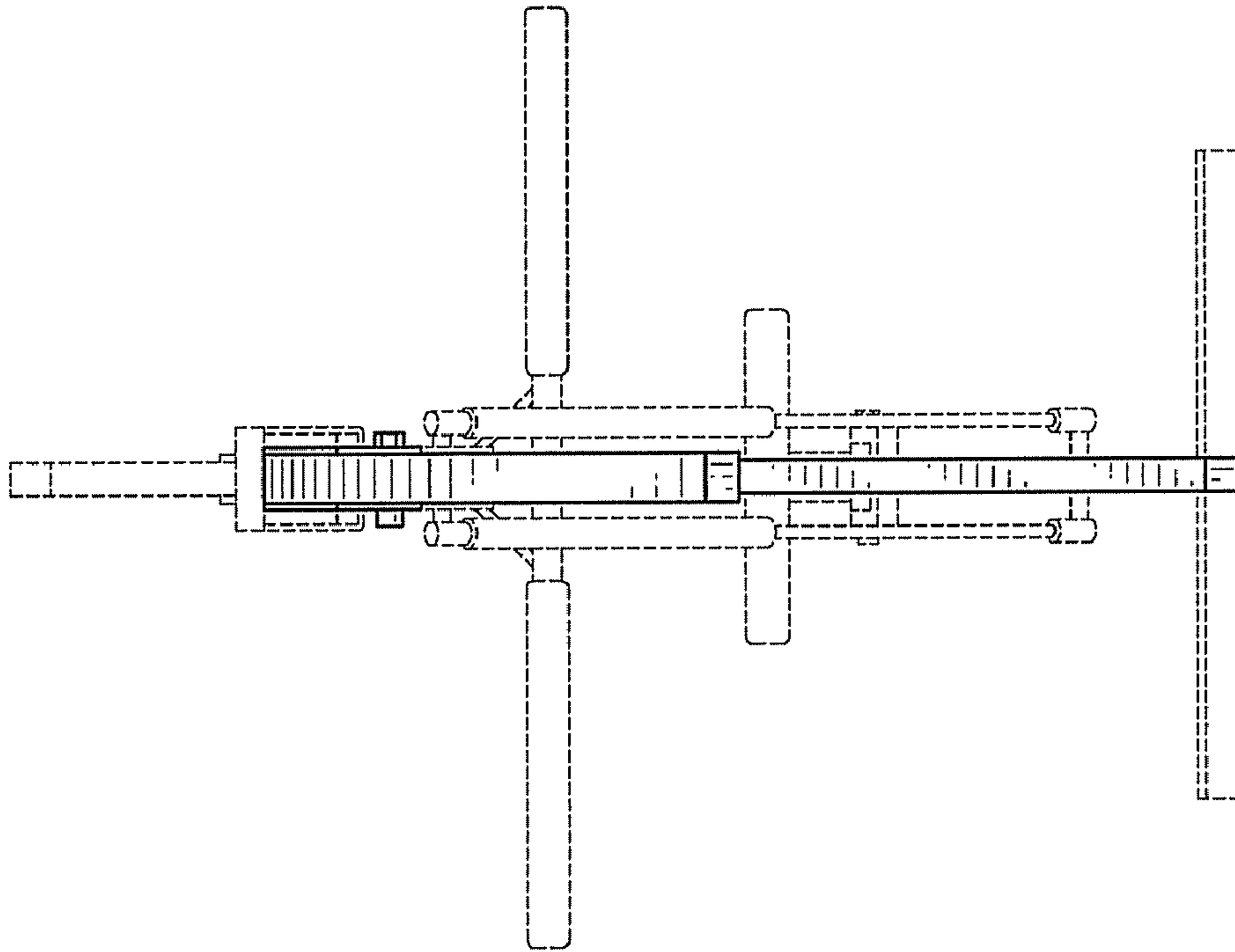


FIG-7

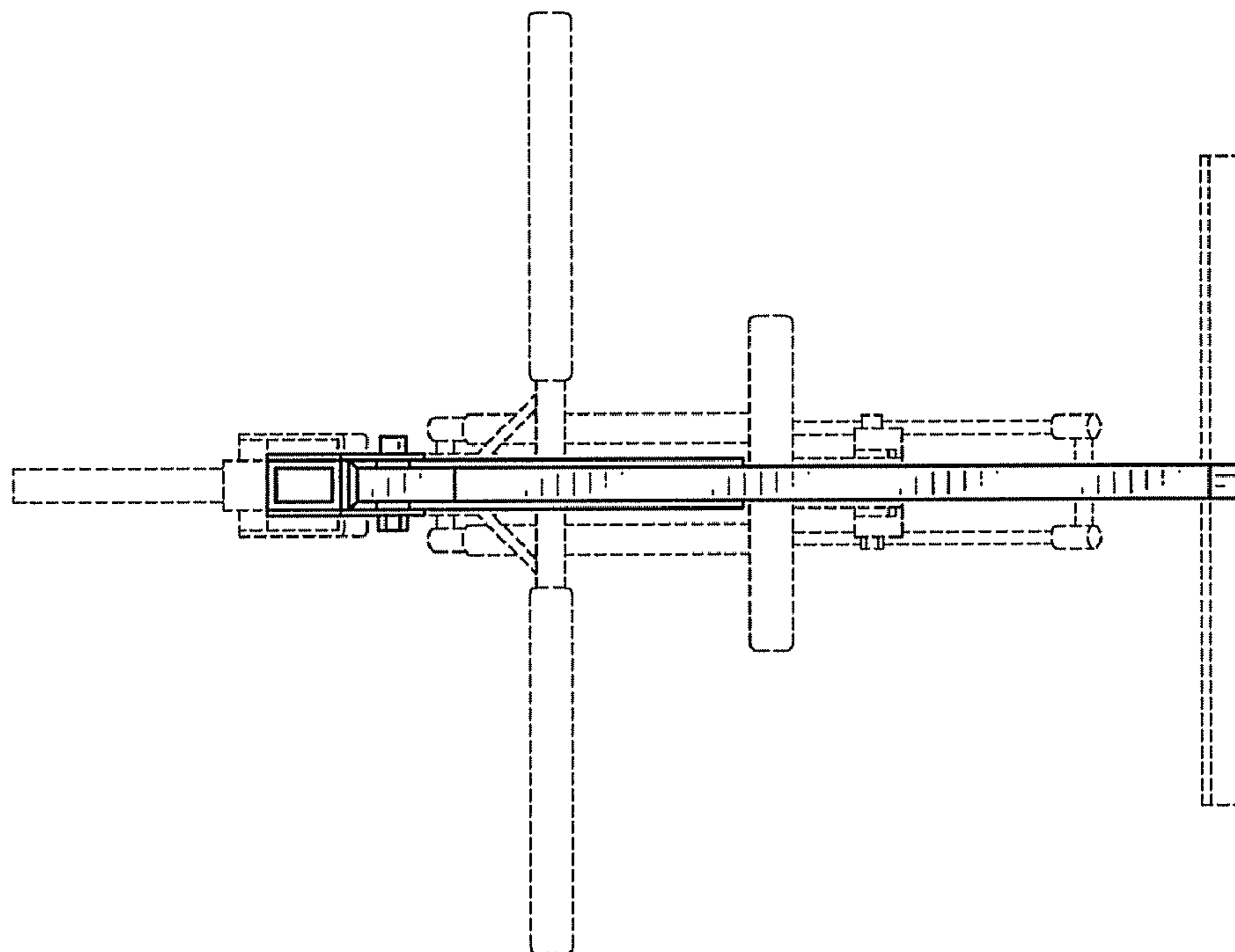


FIG-6