



US00D641435S

(12) **United States Design Patent**
Coote

(10) **Patent No.:** **US D641,435 S**
(45) **Date of Patent:** **** Jul. 12, 2011**

(54) **DANCE POLE BASE**

(75) Inventor: **Clive Coote**, Barnet (GB)

(73) Assignee: **Vertical Leisure Ltd**, Potters Bar (GB)

(**) Term: **14 Years**

(21) Appl. No.: **29/369,736**

(22) Filed: **Sep. 13, 2010**

Related U.S. Application Data

(62) Division of application No. 29/340,134, filed on Jul. 14, 2009, now Pat. No. Des. 631,518.

Foreign Application Priority Data

Jul. 2, 2009 (EM) 001568700

(51) **LOC (9) Cl.** **21-02**

(52) **U.S. Cl.** **D21/694; D6/495**

(58) **Field of Classification Search** D21/662,
D21/671, 679, 686, 694; 248/40, 346.01,
248/519, 522-524; D6/300, 486, 495-496,
D6/524; D11/130, 130.1; D26/22; 482/40,
482/142

See application file for complete search history.

(56) **References Cited**

U.S. PATENT DOCUMENTS

774,497 A * 11/1904 Rompel 248/523
D89,197 S * 2/1933 Kehoe D6/495

2,637,555 A * 5/1953 Klaudt 482/40
3,102,638 A * 9/1963 Saunders 211/71.01
D314,478 S * 2/1991 Kubryk D6/486
D376,713 S * 12/1996 Kelso D6/496
6,113,054 A * 9/2000 Ma 248/523
6,305,809 B1 * 10/2001 Zadro 359/840
D450,496 S * 11/2001 Schwartz et al. D6/495
D481,234 S * 10/2003 Lai D6/524
6,953,179 B2 * 10/2005 Lai 248/522
D511,413 S * 11/2005 Yue D6/300
D555,742 S * 11/2007 Lai D21/694
D580,685 S * 11/2008 Draghici et al. D6/495
D617,124 S * 6/2010 Snider D6/495
2003/0146360 A1 * 8/2003 Steinmetz et al. 248/346.01

* cited by examiner

Primary Examiner — Susan E Krakower

(74) *Attorney, Agent, or Firm* — BainwoodHuang

(57) **CLAIM**

The ornamental design for a dance pole base, as shown and described.

DESCRIPTION

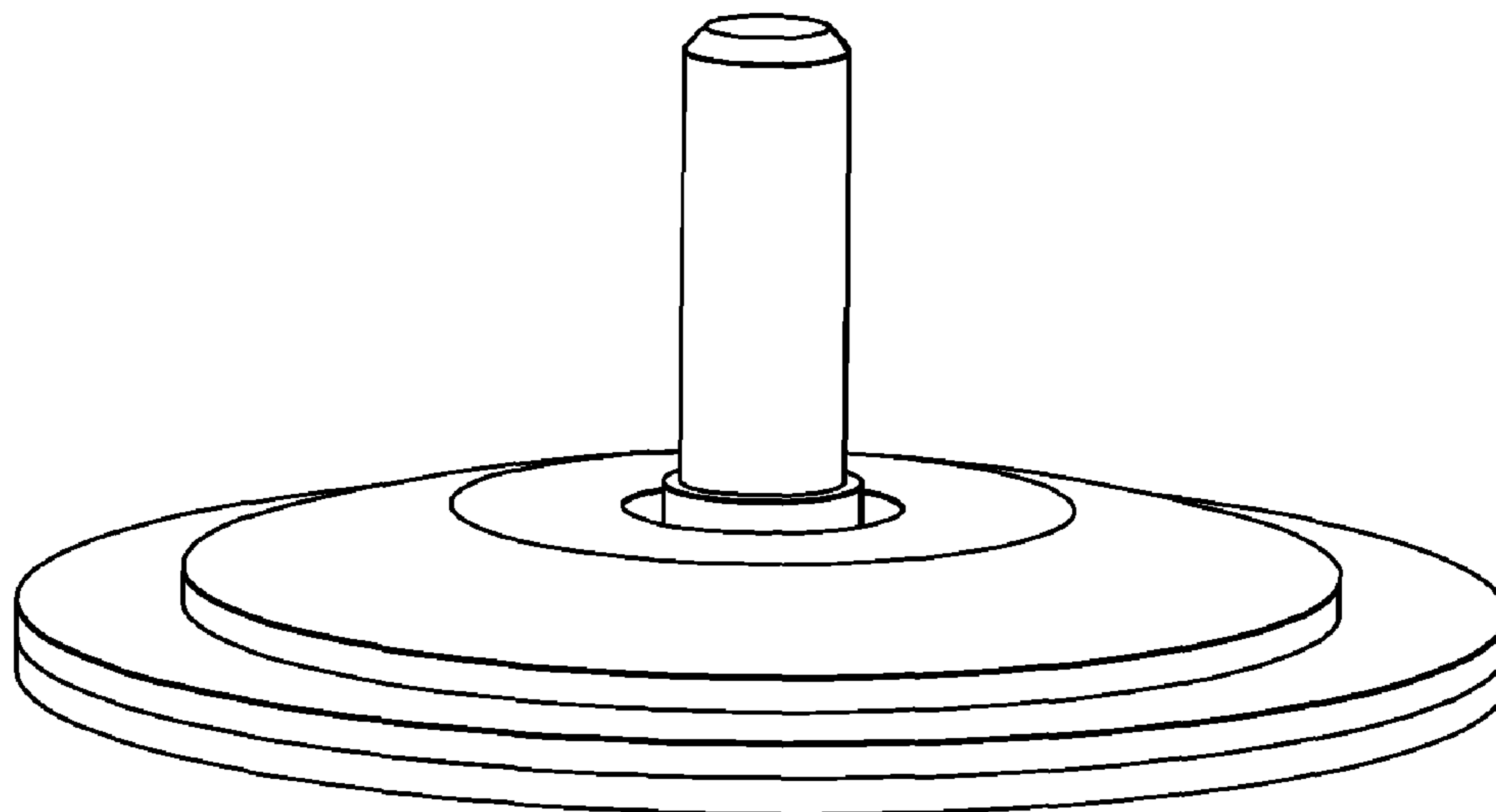
FIG. 1 is perspective view of a dance pole base according to my new design;

FIG. 2 is a top view of the base of FIG. 1; and,

FIG. 3 is a side view of the base of FIG. 1.

The broken lines in FIG. 2 illustrate an unknown depth portion of the dance pole base and form no part of the claimed design.

1 Claim, 2 Drawing Sheets



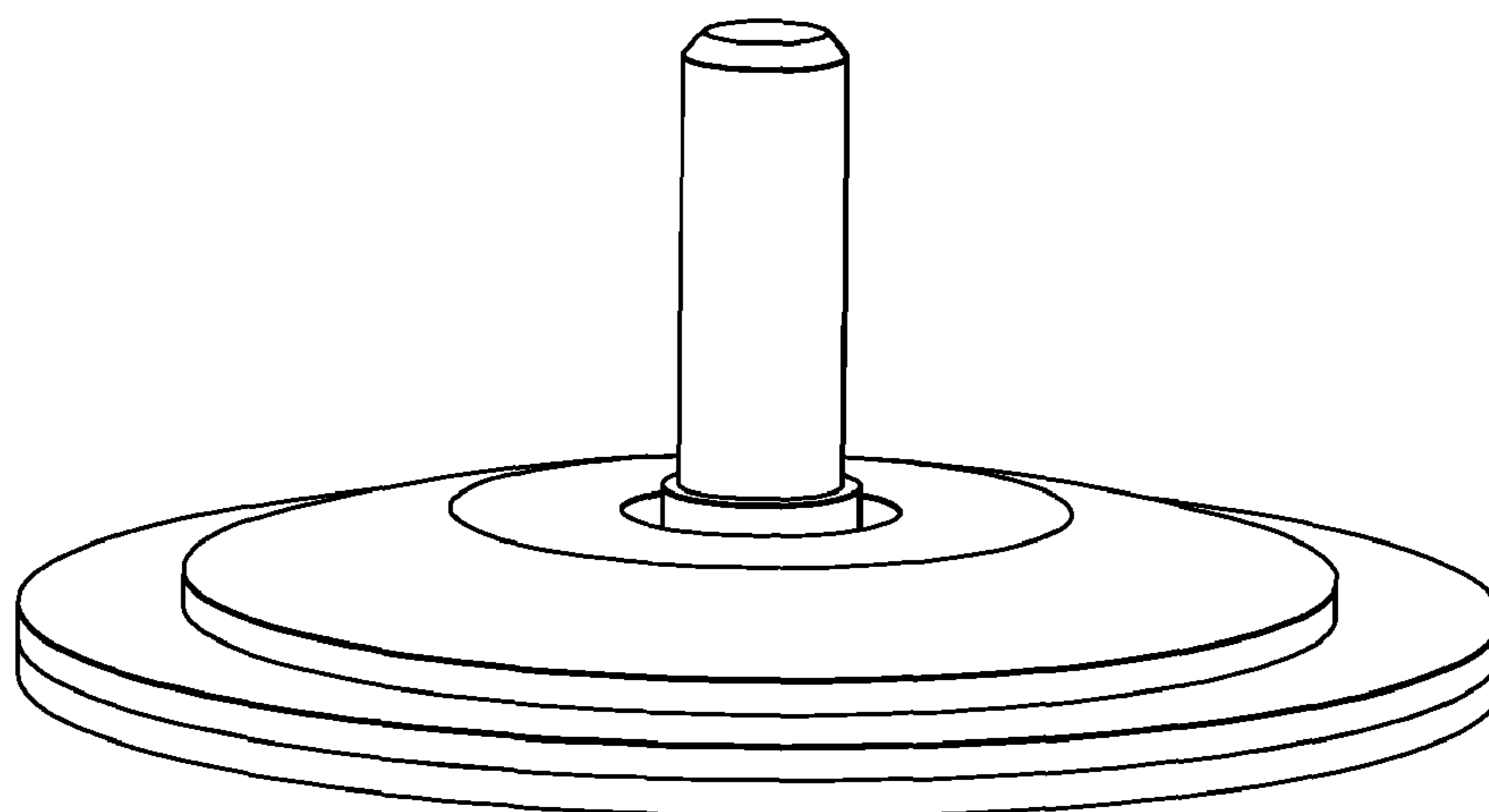


FIG. 1

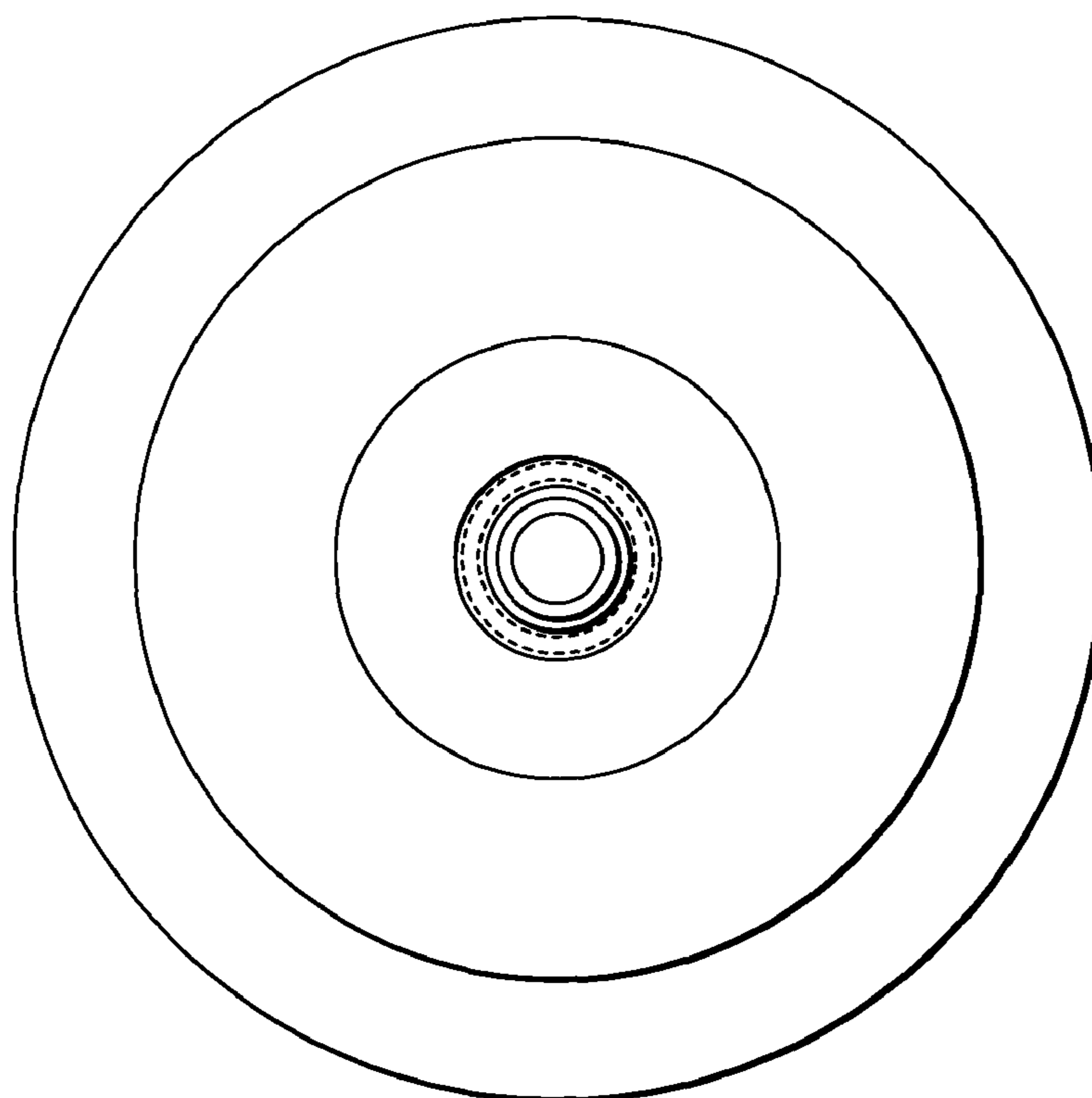


FIG. 2

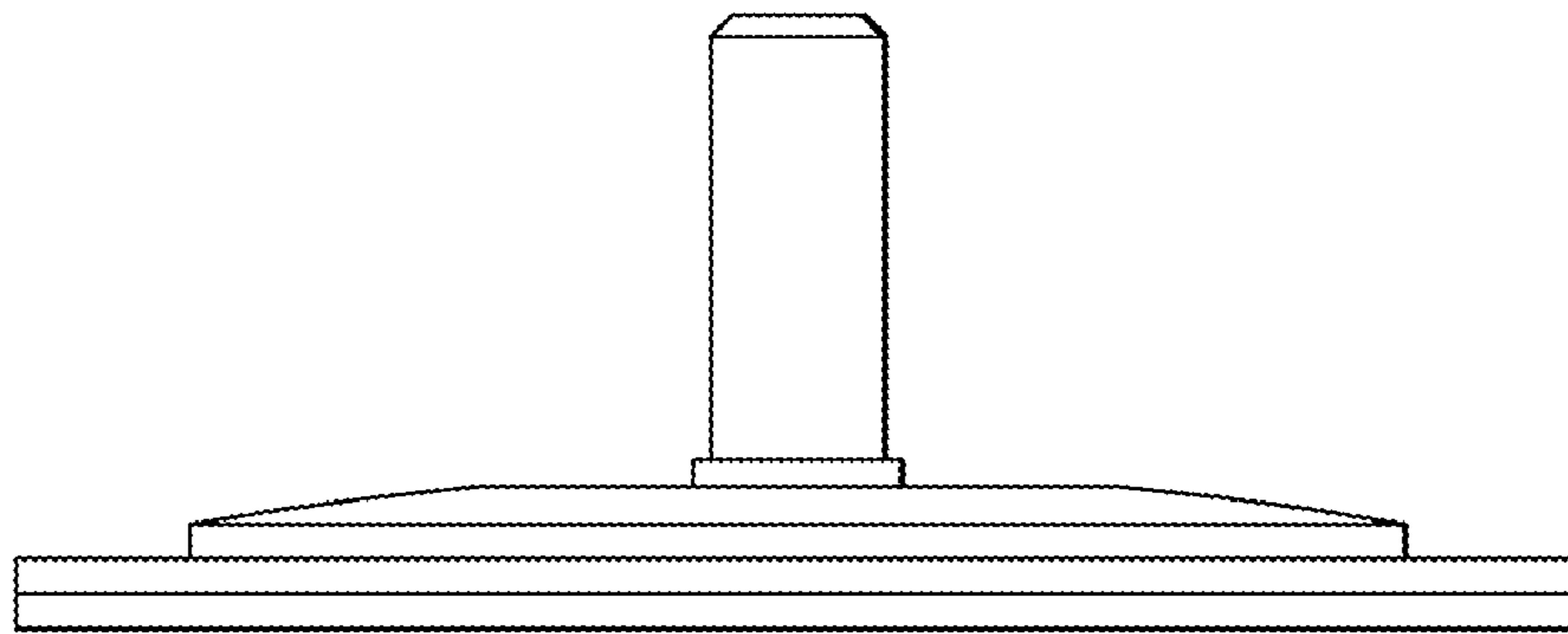


Fig. 3