



US00D641434S

(12) **United States Design Patent**
Khubani

(10) **Patent No.:** **US D641,434 S**

(45) **Date of Patent:** **** Jul. 12, 2011**

(54) **ABDOMINAL EXERCISE APPARATUS**

(75) Inventor: **Ajit Khubani**, Saddle River, NJ (US)

(73) Assignee: **International Edge Inc.**, Fairfield, NJ (US)

(**) Term: **14 Years**

(21) Appl. No.: **29/370,486**

(22) Filed: **Jul. 23, 2010**

(51) **LOC (9) Cl.** **21-02**

(52) **U.S. Cl.** **D21/690; D21/676**

(58) **Field of Classification Search** D21/662,
D21/673-676, 679, 681, 686, 690-691, 694;
482/92, 94, 97, 100, 104, 106, 108, 111,
482/135, 138, 140, 142, 144-145, 148
See application file for complete search history.

(56) **References Cited**

U.S. PATENT DOCUMENTS

5,702,334	A *	12/1997	Lee	482/140
D393,891	S *	4/1998	Van Der Hoeven et al.	.	D21/676
5,769,766	A *	6/1998	Huang	482/140
5,795,271	A *	8/1998	Pearson	482/72
5,871,425	A *	2/1999	Gvoich	482/140
5,997,450	A *	12/1999	Wilkinson	482/142
6,090,023	A *	7/2000	Liu	482/140
6,123,653	A *	9/2000	Huang	482/142
6,168,557	B1 *	1/2001	Liao	482/140
6,565,489	B2	5/2003	Ho et al.		
D476,045	S	6/2003	Casey et al.		
6,602,171	B1	8/2003	Tsen et al.		
7,329,213	B1	2/2008	Farley		
7,331,913	B2 *	2/2008	Forcillo	482/142
7,335,145	B2 *	2/2008	Webber	482/142
7,344,486	B2	3/2008	Casey et al.		

D582,495	S *	12/2008	Lindblad	D21/690
7,604,580	B2	10/2009	Lamarque		
7,618,357	B2	11/2009	Dalebout et al.		
7,625,323	B1	12/2009	Lin		
7,674,215	B1 *	3/2010	Swanson et al.	482/142
7,713,181	B1	5/2010	Durham		
2003/0144118	A1	7/2003	Tsen et al.		
2004/0067831	A1	4/2004	Hou		
2006/0166799	A1	7/2006	Boland et al.		
2007/0129225	A1	6/2007	Hammer		
2007/0149373	A1	6/2007	Dalebout et al.		
2007/0259762	A1	11/2007	Ho		
2009/0305855	A1	12/2009	Terrell		

OTHER PUBLICATIONS

“AB Circle Pro”—Lose Your Love Handles!, 1 page, Oct. 1, 2009.

* cited by examiner

Primary Examiner — Susan E Krakower

(74) *Attorney, Agent, or Firm* — Cooper & Dunham LLP

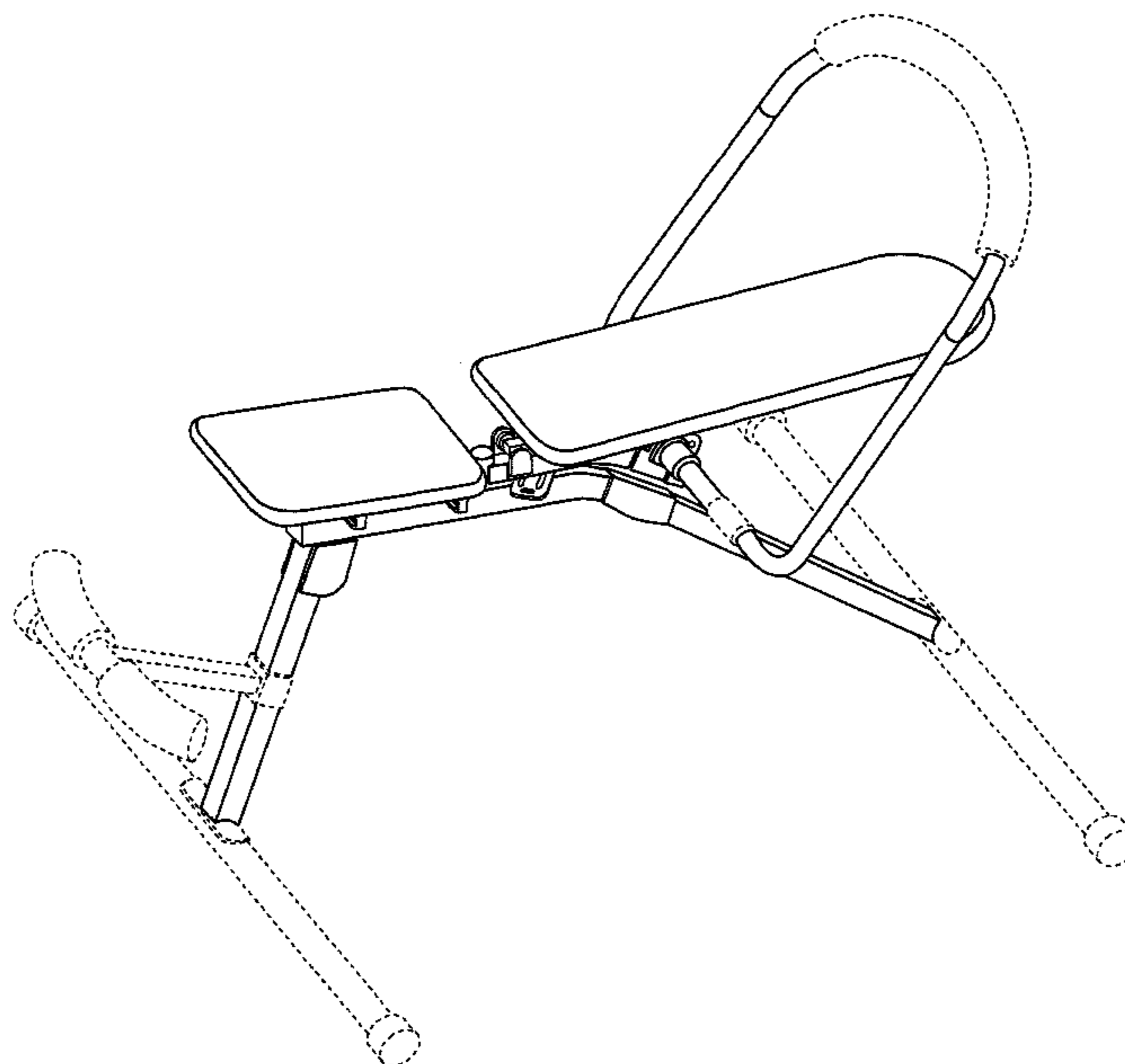
(57) **CLAIM**

The ornamental design for an abdominal exercise apparatus, as shown and described.

DESCRIPTION

FIG. 1 is a top view thereof;
FIG. 2 is a bottom view thereof;
FIG. 3 is a front view thereof;
FIG. 4 is a rear view thereof;
FIG. 5 is a side view thereof;
FIG. 6 is the other side view thereof; and,
FIG. 7 is a perspective view thereof.
The broken lines illustrate portions of the abdominal exercise apparatus which form no part of the claimed design.

1 Claim, 7 Drawing Sheets



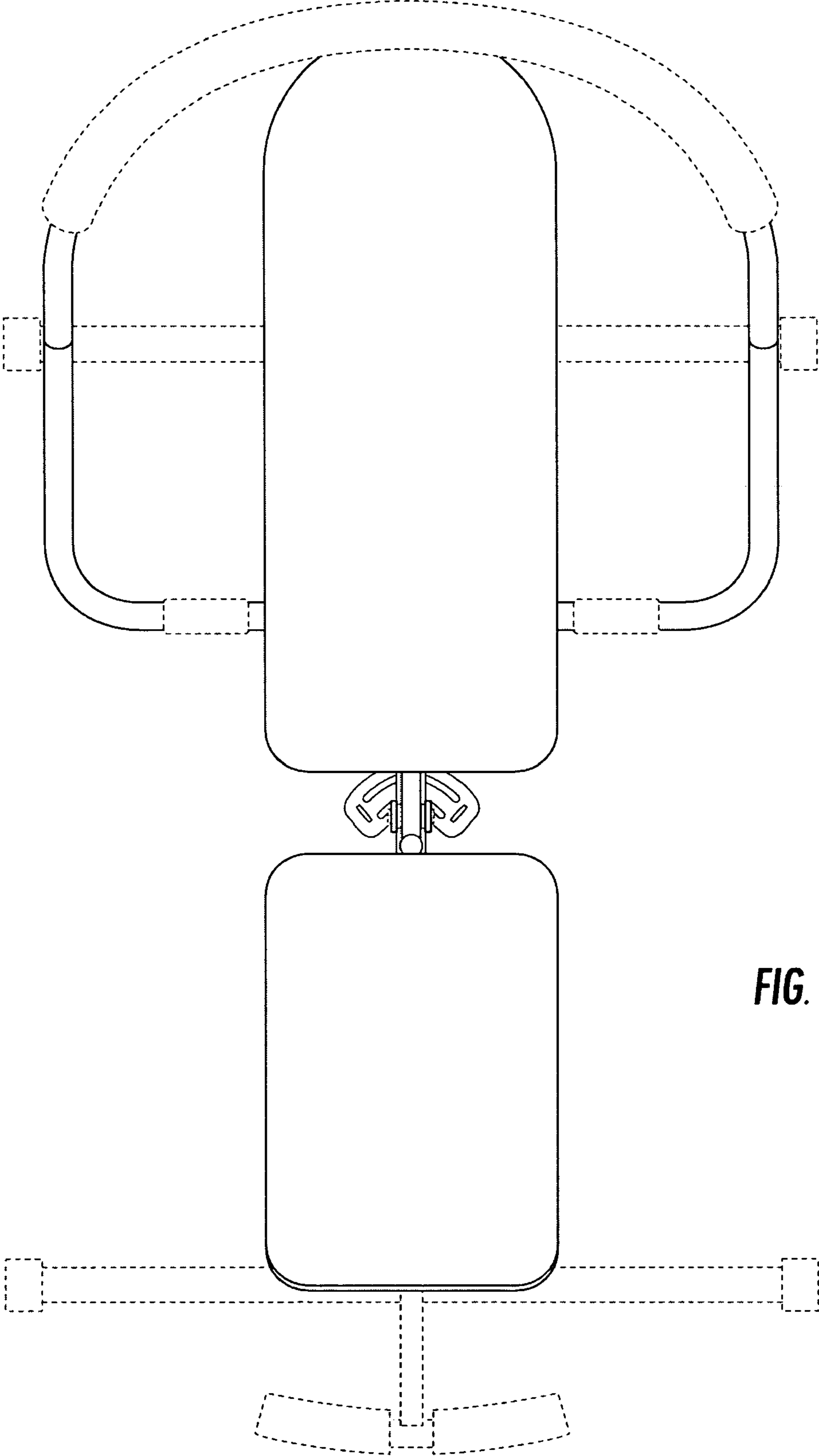


FIG. 1

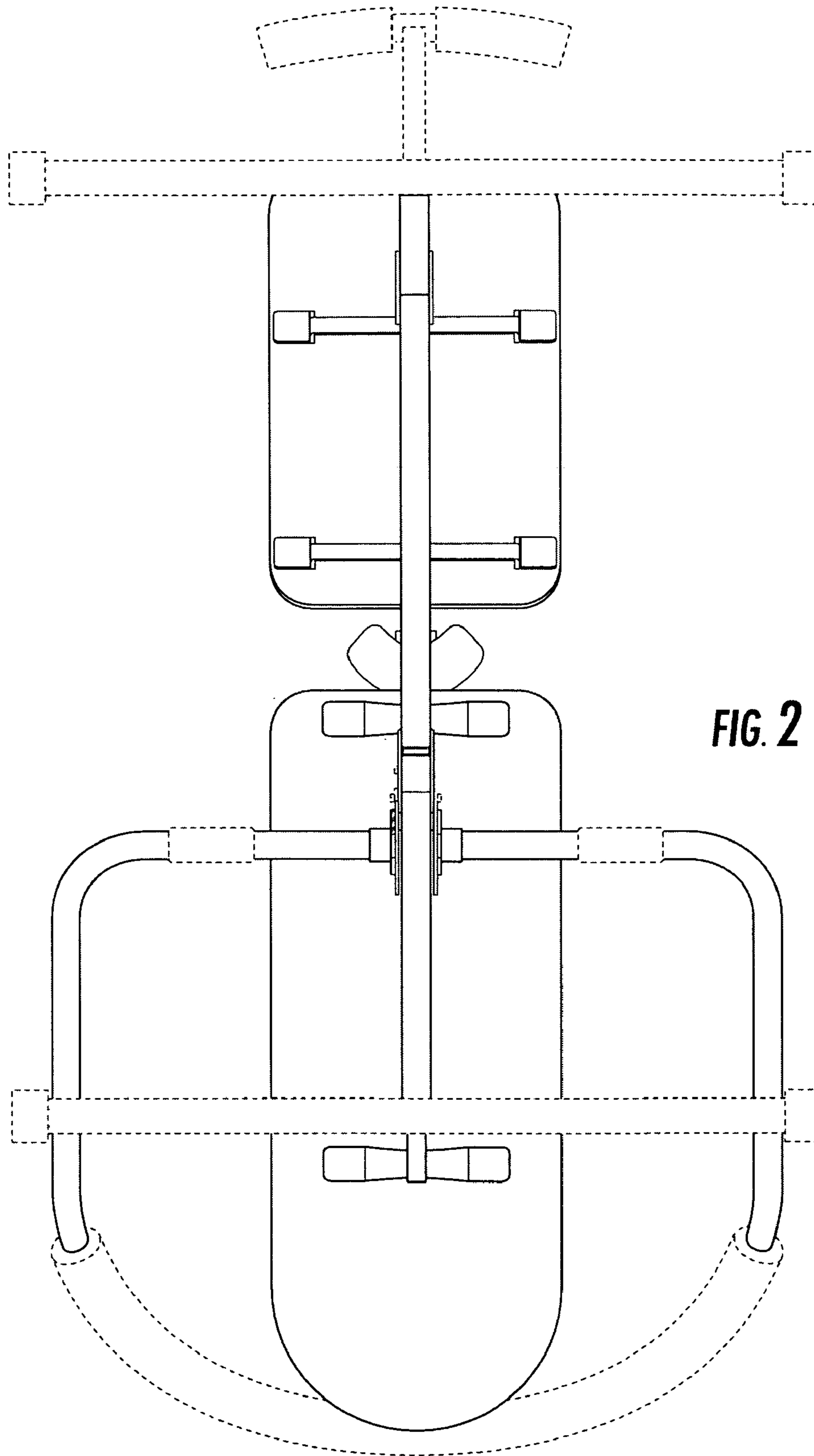


FIG. 2

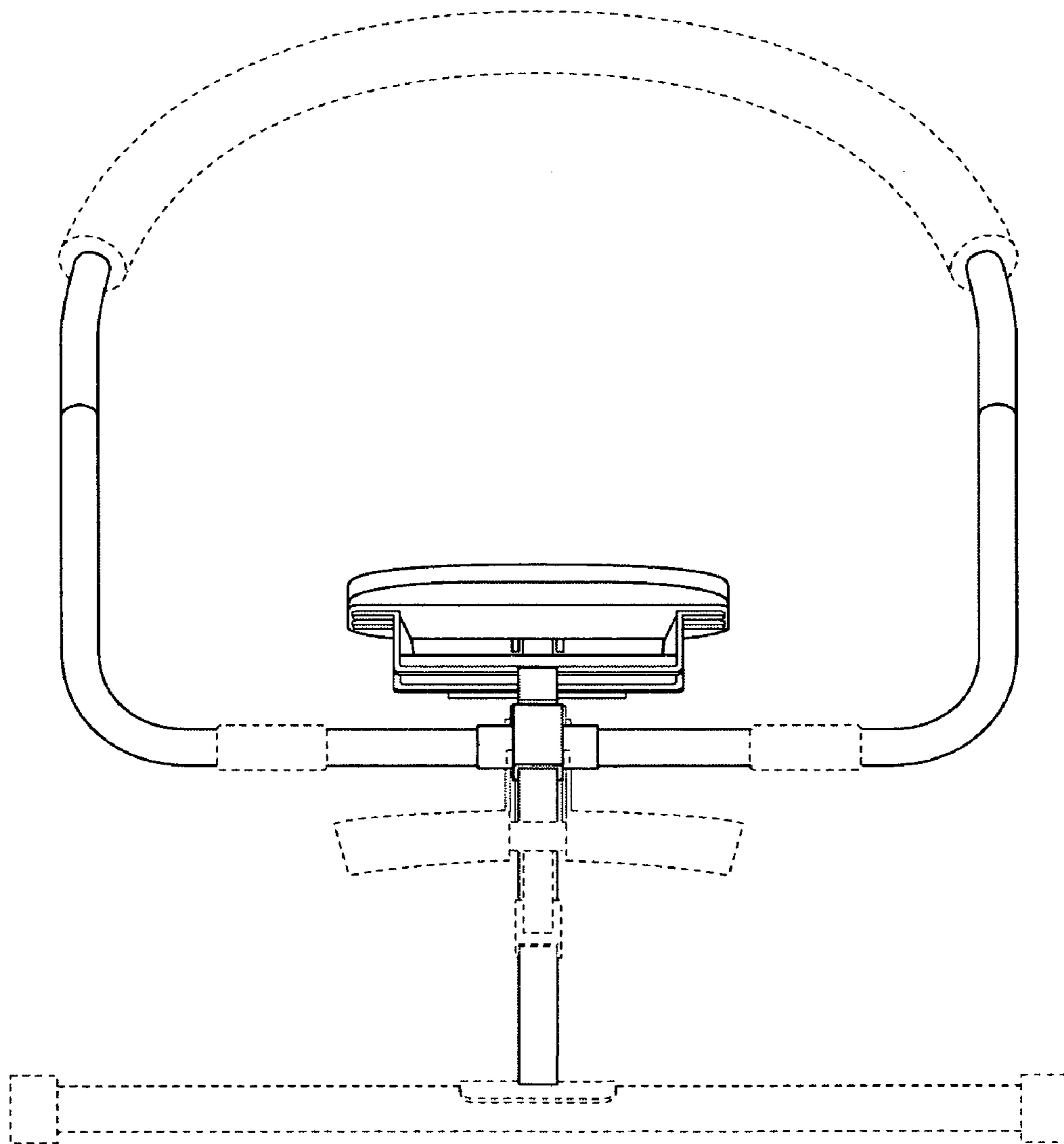


FIG. 3

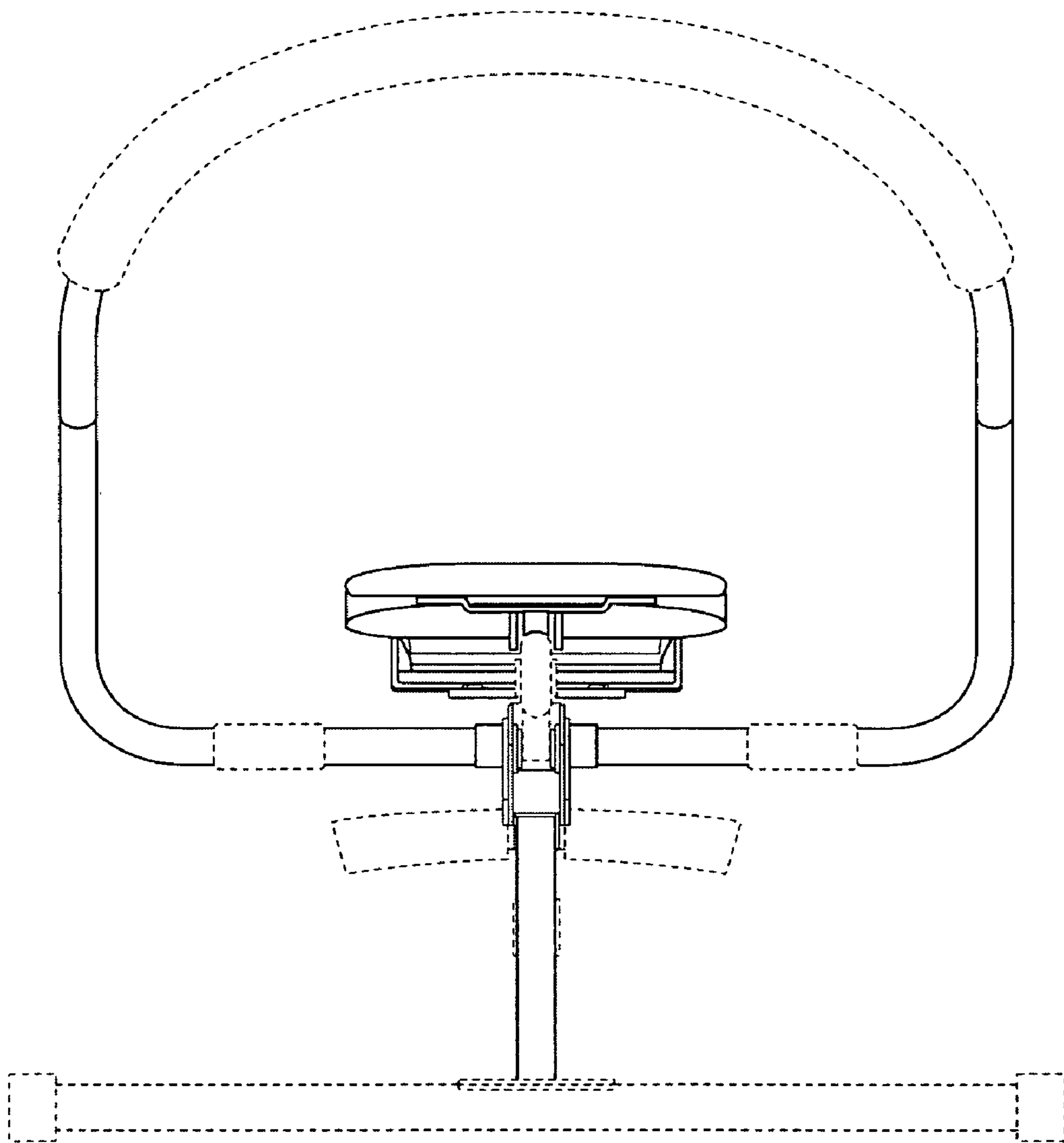


FIG. 4

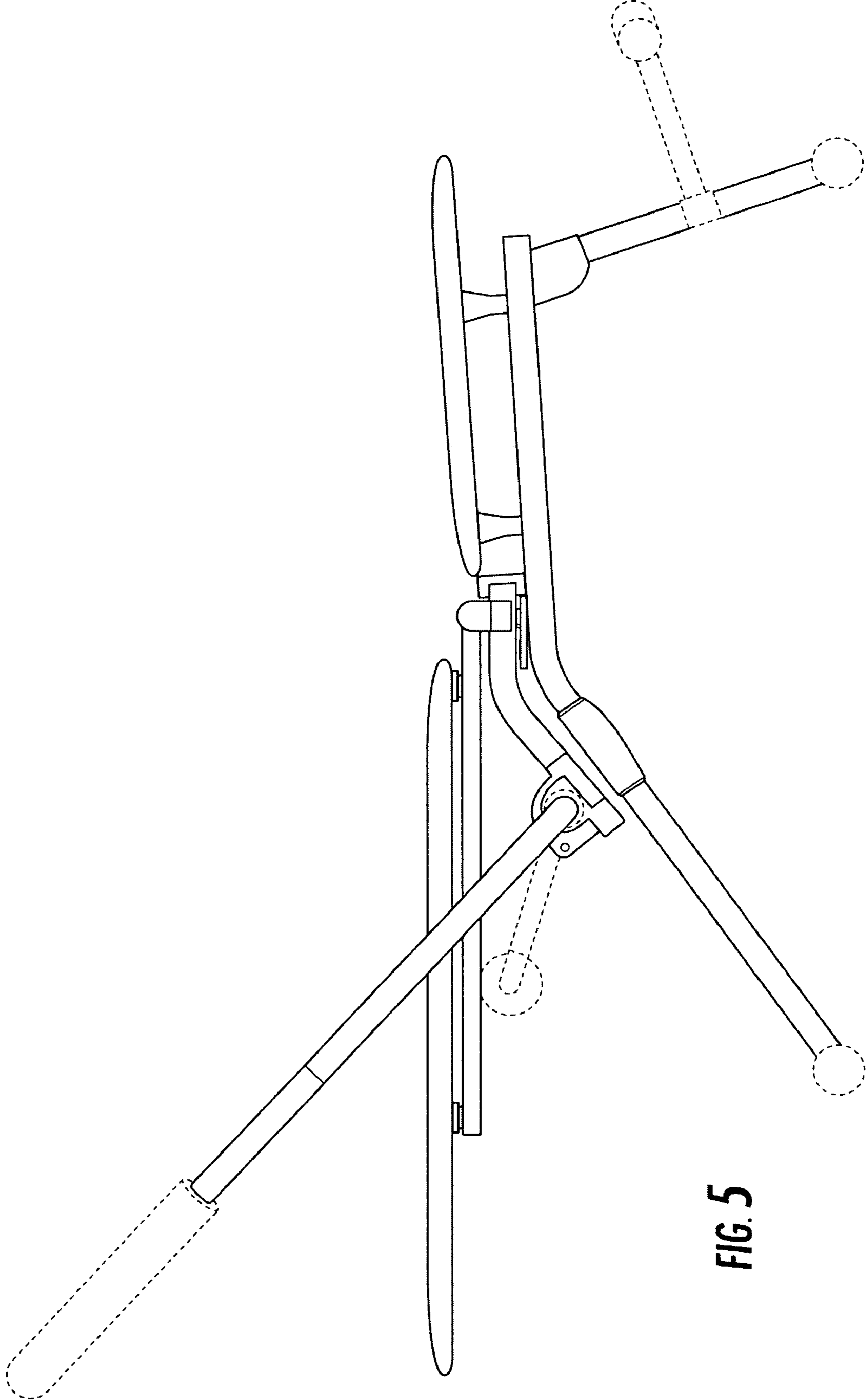
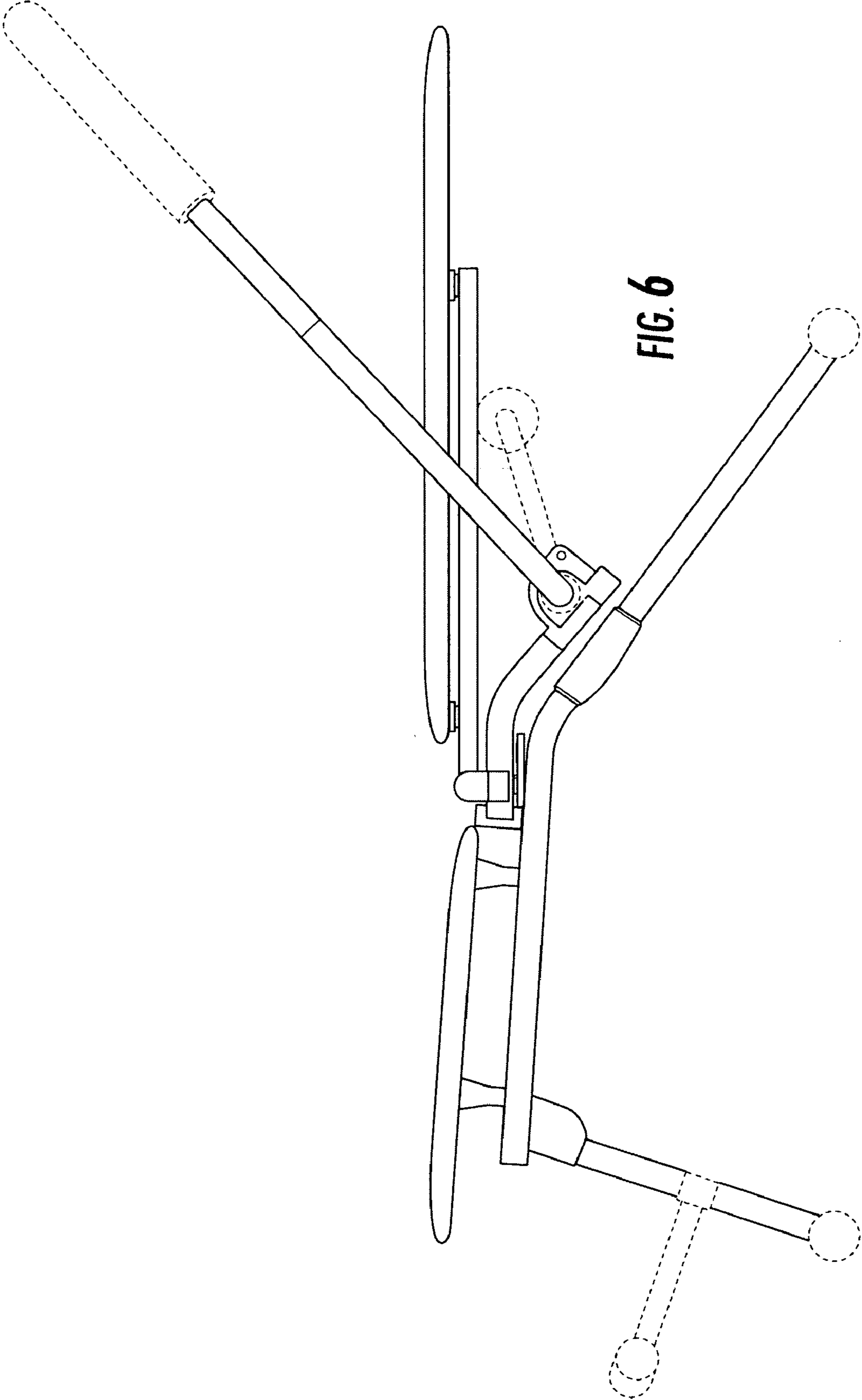


FIG. 5



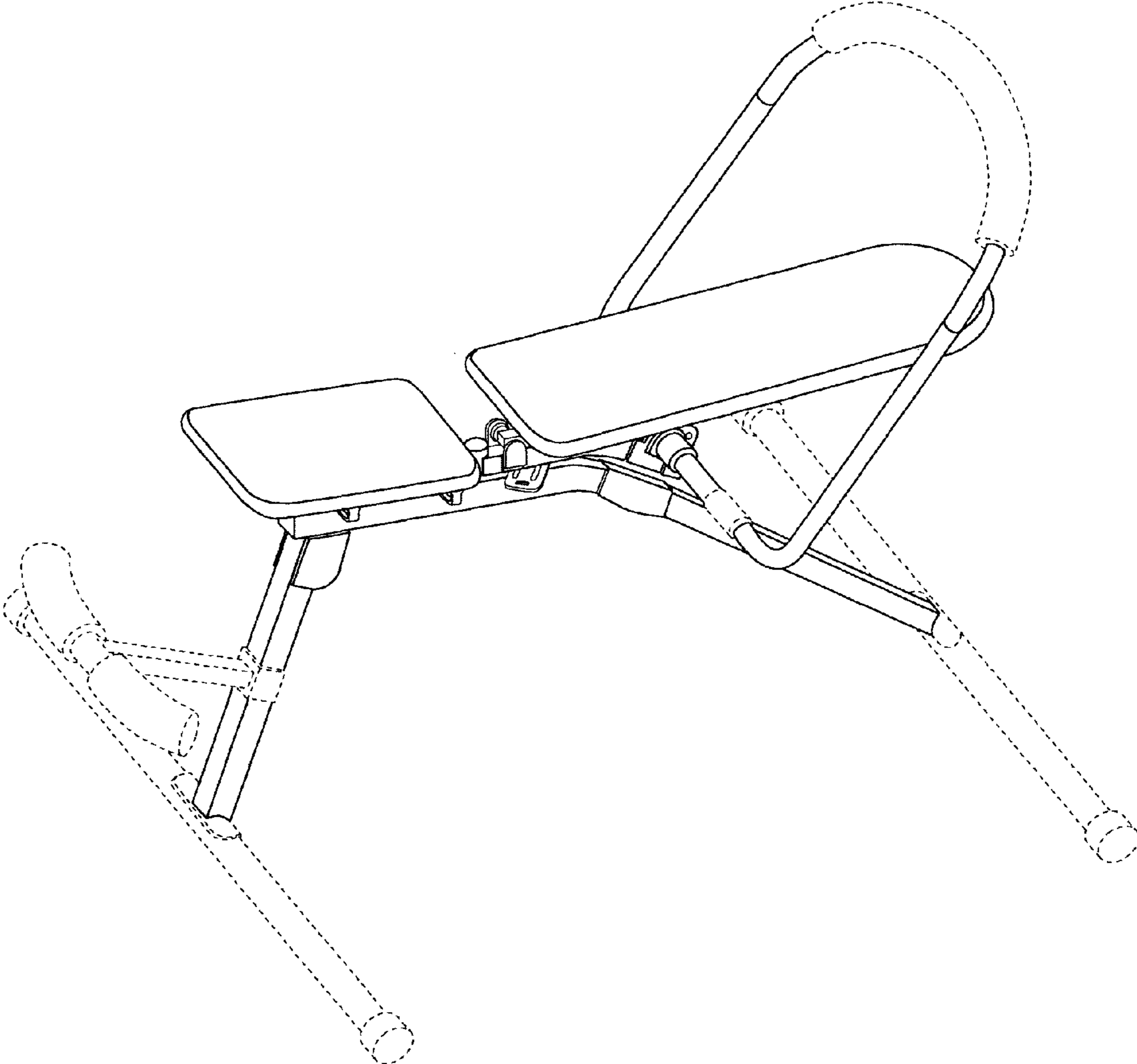


FIG. 7