



US00D641426S

(12) **United States Design Patent**
Tan

(10) **Patent No.:** **US D641,426 S**
(45) **Date of Patent:** **** Jul. 12, 2011**

(54) **PINATA GAME TYPE EQUIPMENT**

(76) Inventor: **Roberto Tan**, Hamilton (CA)

(**) Term: **14 Years**

(21) Appl. No.: **29/377,548**

(22) Filed: **Oct. 22, 2010**

(51) **LOC (9) Cl.** **21-01**

(52) **U.S. Cl.** **D21/300**

(58) **Field of Classification Search** D21/300,
D21/313, 385, 453, 465; 446/4, 5, 71, 73,
446/76, 475; 383/9, 22, 26; 273/DIG. 30,
273/148 R

See application file for complete search history.

(56) **References Cited**

U.S. PATENT DOCUMENTS

D244,873	S	*	6/1977	Halapin et al.	D21/300
4,253,266	A	*	3/1981	Bajo	446/5
4,787,872	A	*	11/1988	Bajo	446/5
4,832,377	A	*	5/1989	Umehara	285/222
5,242,308	A	*	9/1993	Estrada	434/365

5,263,889	A	*	11/1993	Ledonne	446/5
5,536,194	A	*	7/1996	Larsen et al.	446/5
6,171,166	B1	*	1/2001	Oquita	446/5
6,354,904	B1	*	3/2002	Grey et al.	446/5
D521,566	S	*	5/2006	Wickens	D21/300
D535,337	S	*	1/2007	Liu	D21/360
7,442,106	B1	*	10/2008	Menow et al.	446/5
7,648,059	B2	*	1/2010	Pavlu et al.	229/116.1

* cited by examiner

Primary Examiner — Prabhakar Deshmukh

(57) **CLAIM**

The ornamental design for a pinata game type equipment, as shown and described.

DESCRIPTION

FIG. 1 is a top plan view of pinata game type equipment showing my new design;
FIG. 2 is a bottom plan view thereof;
FIG. 3 is a left side elevational view thereof, the right side elevational view being a mirror image thereof;
FIG. 4 is a top perspective view thereof; and,
FIG. 5 is a bottom perspective view thereof.

1 Claim, 5 Drawing Sheets

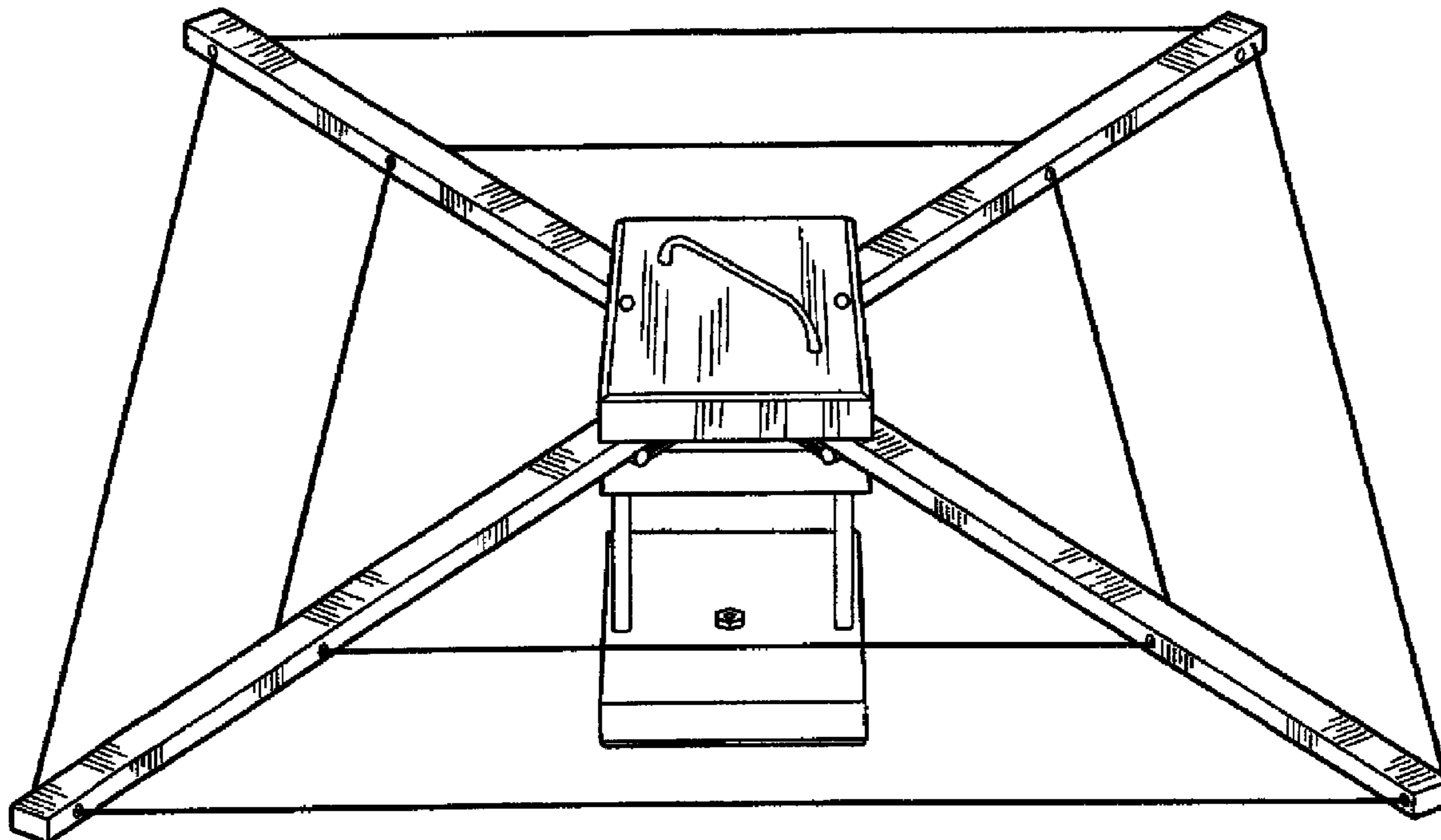


FIG. -1

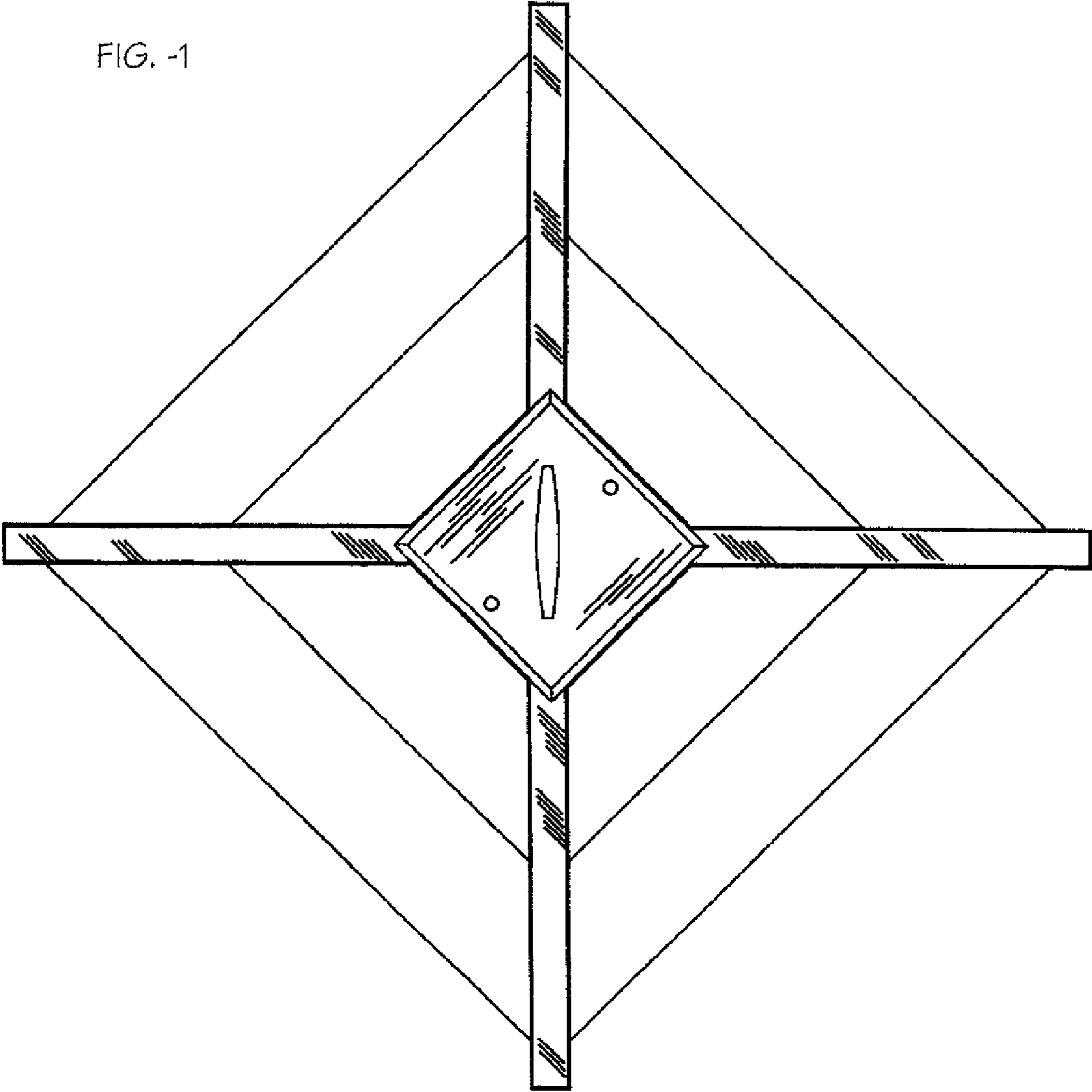


FIG. -2

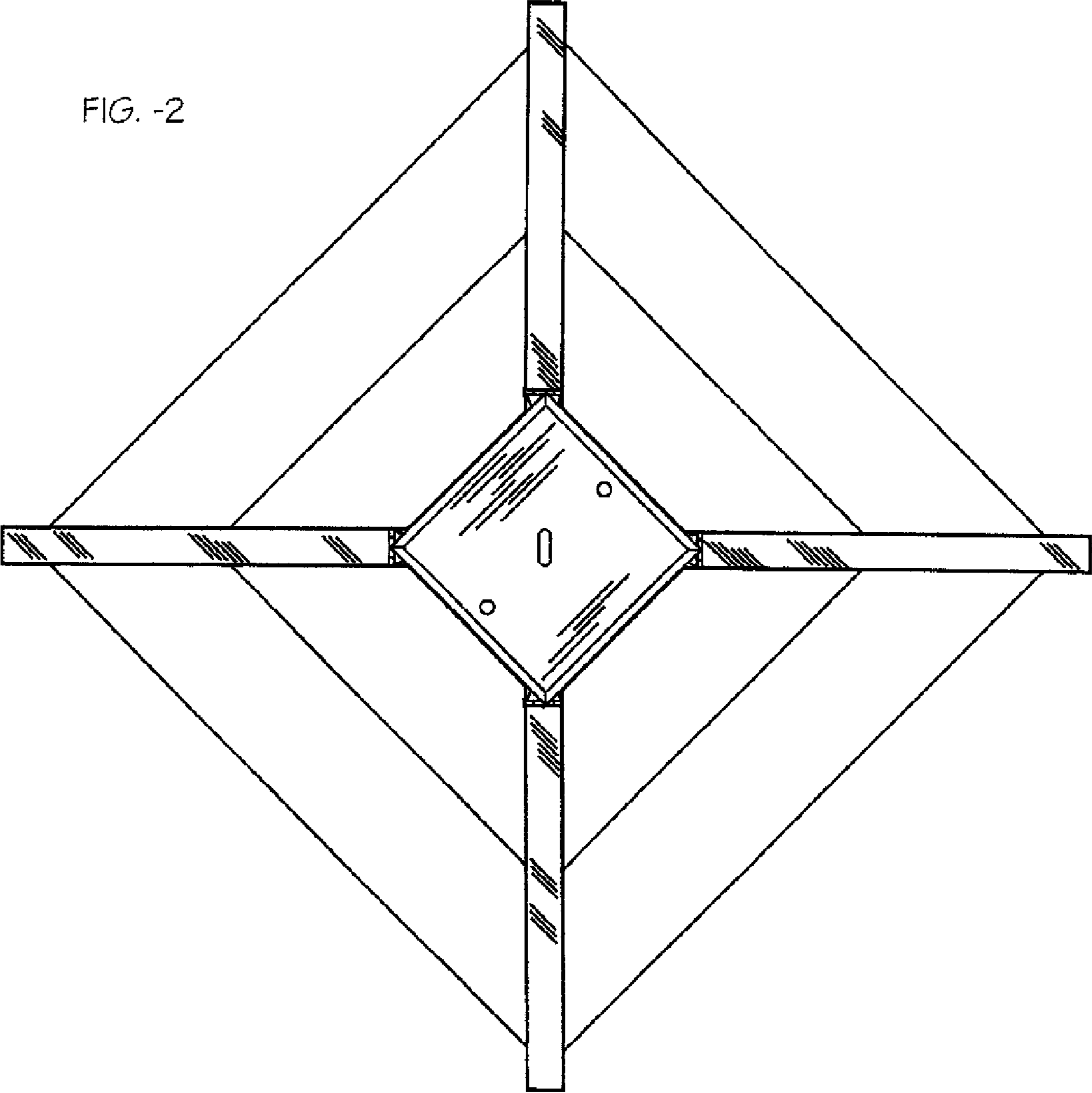
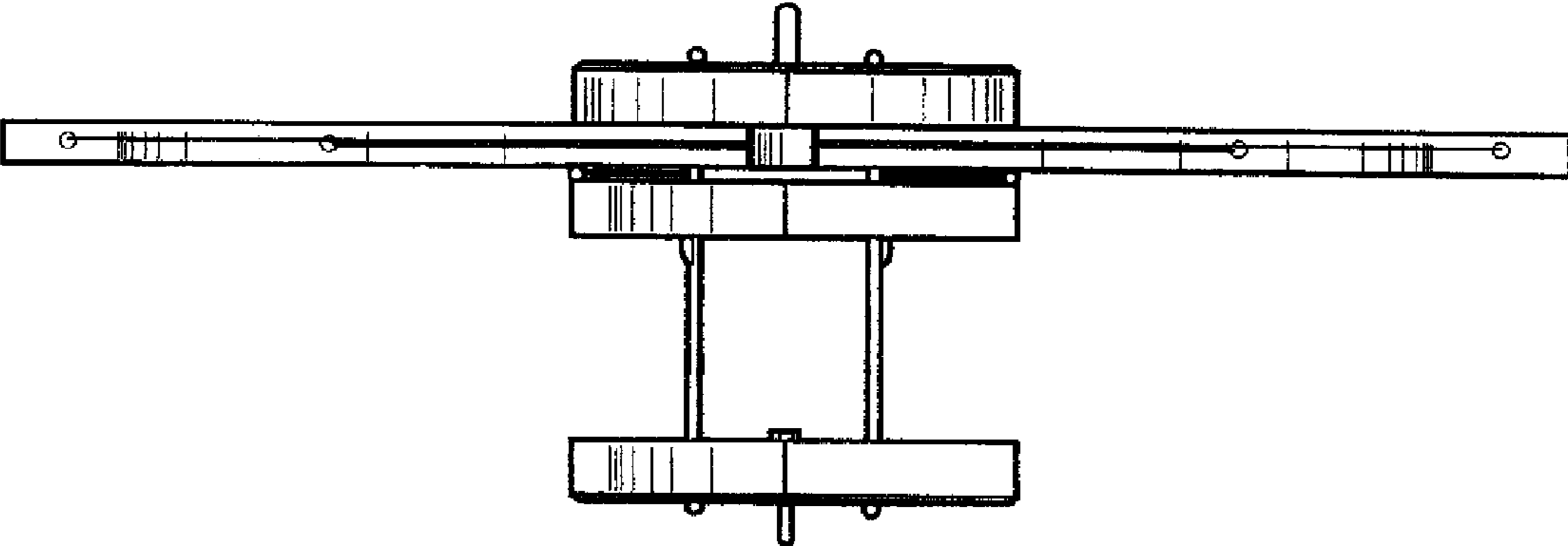


FIG.-3



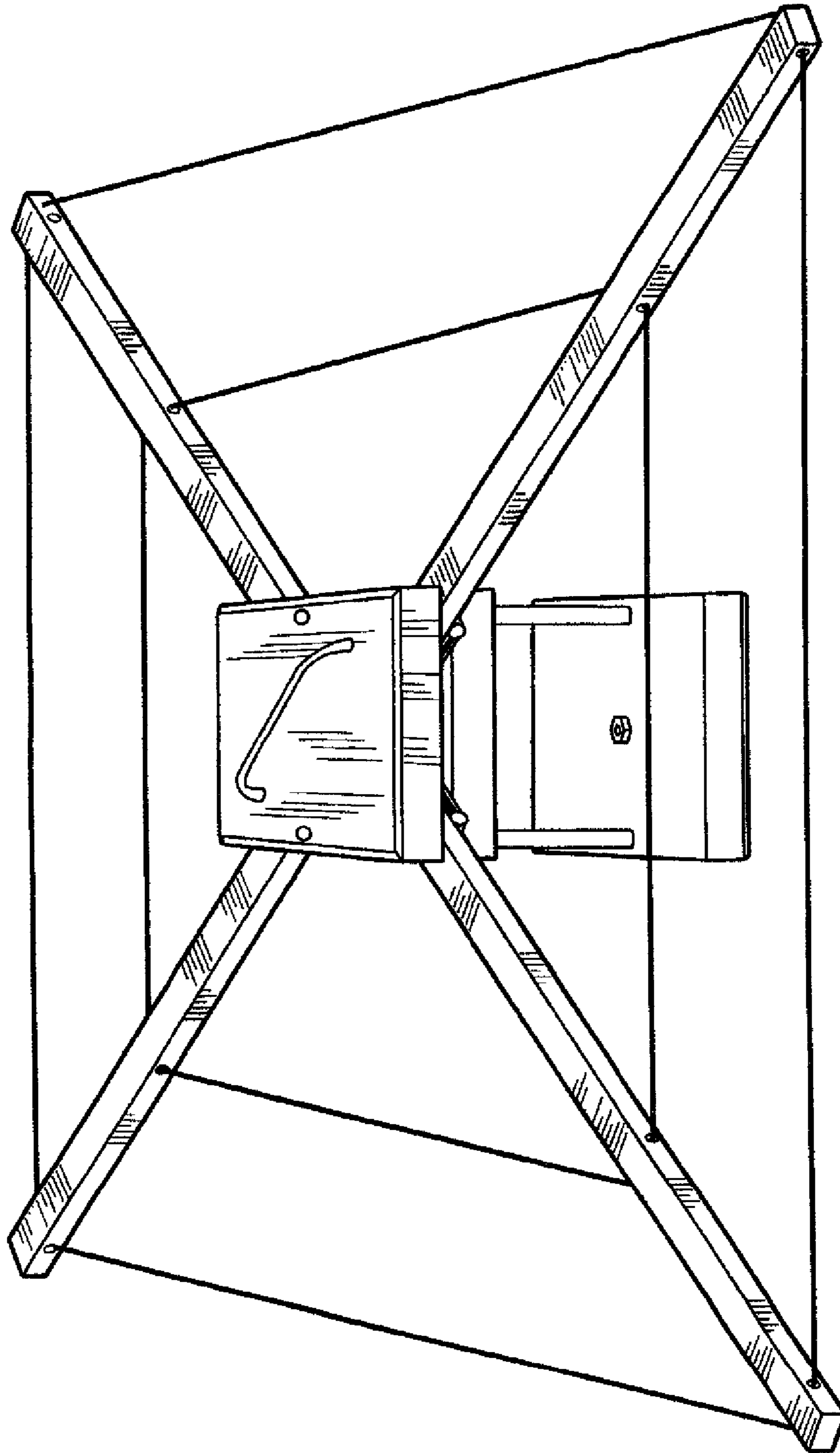


FIG. 4

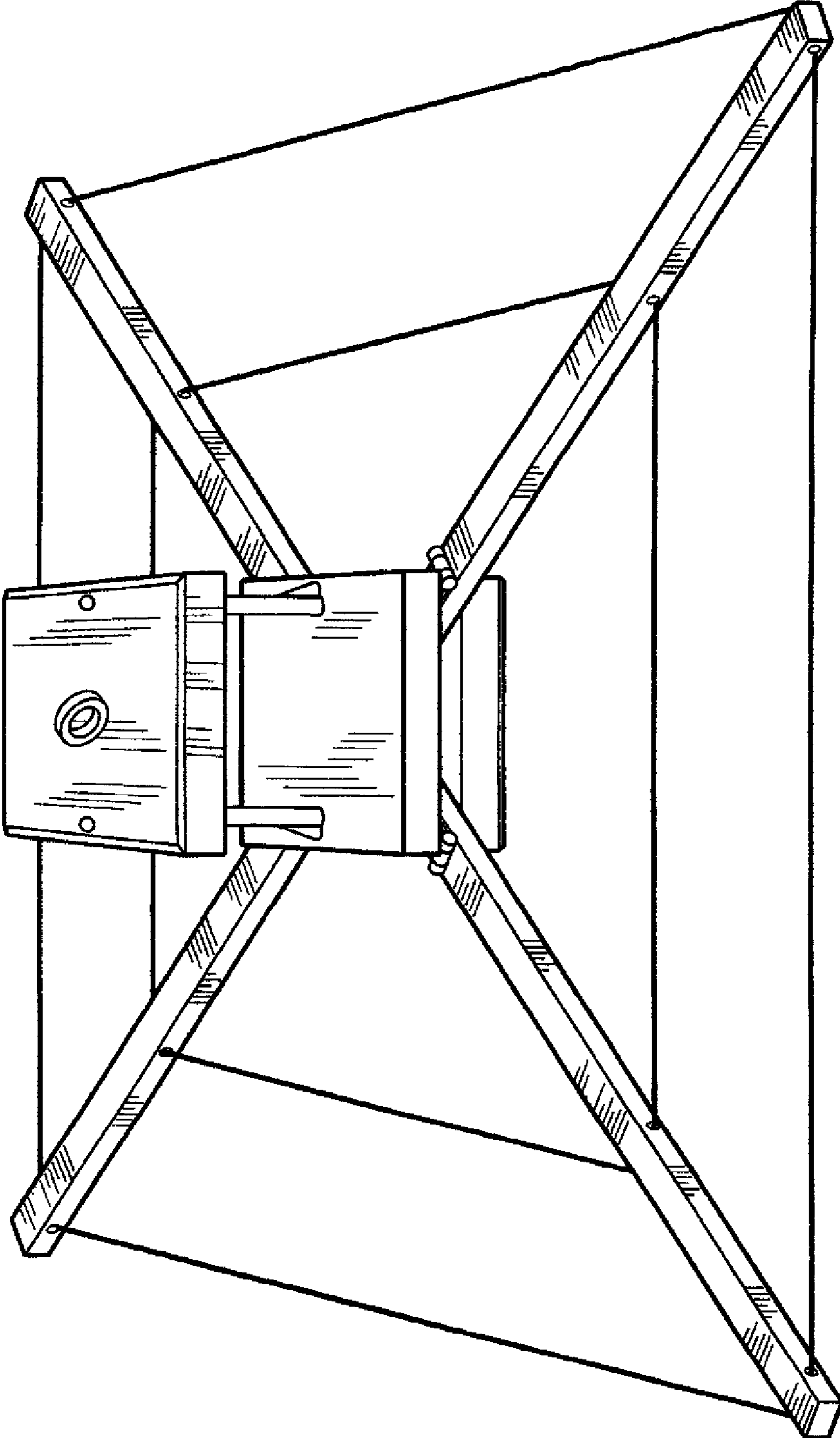


FIG. 5