



US00D641425S

(12) **United States Design Patent**  
**Smith**

(10) **Patent No.:** **US D641,425 S**

(45) **Date of Patent:** **\*\* Jul. 12, 2011**

(54) **OPEN SIGN**

(75) Inventor: **Aaron W. Smith**, Watertown, WI (US)

(73) Assignee: **C-M Glo, LLC**, Watertown, WI (US)

(\*\*) Term: **14 Years**

(21) Appl. No.: **29/377,902**

(22) Filed: **Oct. 27, 2010**

(51) **LOC (9) Cl.** ..... **20-03**

(52) **U.S. Cl.** ..... **D20/42**

(58) **Field of Classification Search** ..... D20/10,  
D20/12, 18, 19, 21, 29, 39-42, 99; 40/124.01,  
40/446, 538, 541-547, 548, 550-553, 563,  
40/564, 572, 582, 584, 596, 600, 606.01;  
D10/104, 109; 313/546; 362/559, 561, 562,  
362/812

See application file for complete search history.

(56) **References Cited**

**U.S. PATENT DOCUMENTS**

2,171,705	A *	9/1939	Leonard et al.	.....	313/546
D433,453	S	11/2000	Fallon		
D434,808	S *	12/2000	Andersson	.....	D20/10
D456,850	S	5/2002	Fallon		
D460,490	S	7/2002	Fallon		
D461,846	S	8/2002	Fallon		
D477,032	S	7/2003	Fallon		
D484,916	S	1/2004	Fallon		
D507,603	S	7/2005	Nelson		
D513,522	S	1/2006	Nelson		
D534,218	S	12/2006	Krikorian et al.		
D544,038	S	6/2007	Kaoh et al.		
D545,907	S	7/2007	Nelson		
D545,909	S	7/2007	Jacobs et al.		
D553,691	S	10/2007	Lane		
D582,988	S *	12/2008	Donnelly et al.	.....	D20/42
7,467,486	B2 *	12/2008	Kaoh	.....	40/551

D591,797	S *	5/2009	Donnelly	.....	D20/42
D599,410	S *	9/2009	Kaoh	.....	D20/42
2005/0060922	A1	3/2005	Nimmer		
2006/0000128	A1	1/2006	Pan		
2007/0283604	A1	12/2007	Kaoh		

\* cited by examiner

*Primary Examiner* — Mary Ann Calabrese

(74) *Attorney, Agent, or Firm* — Boyle Fredrickson, s.c.

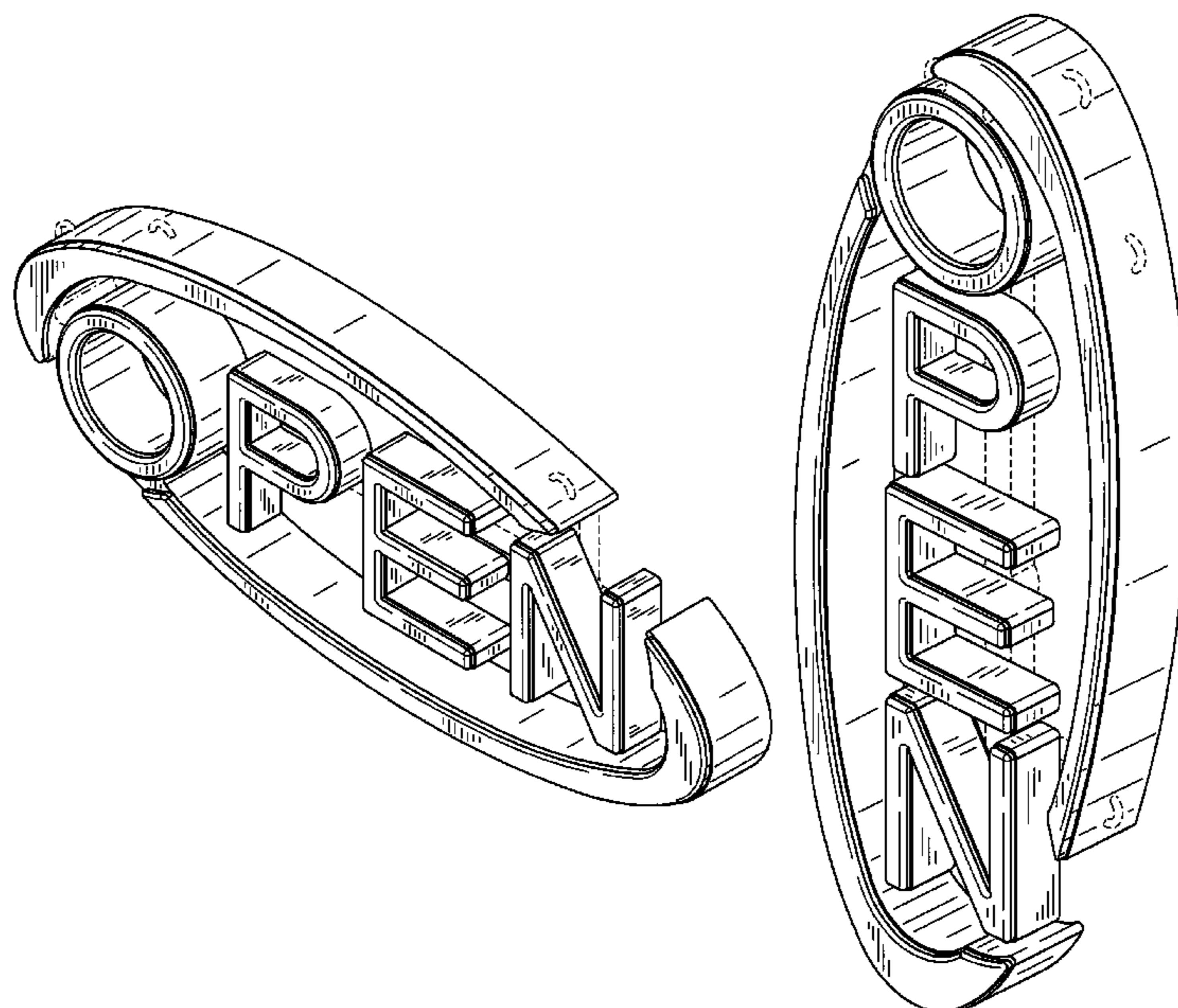
(57) **CLAIM**

The ornamental design of an open sign, as shown and described.

**DESCRIPTION**

FIG. 1 is an isometric view of an open sign incorporating my new design in a first, horizontal configuration, wherein the portions illustrated in broken lines form no part of the claimed design throughout the drawing figures; FIG. 2 is a front elevation view thereof; FIG. 3 is a rear elevation view thereof; FIG. 4 is a top plan view thereof; FIG. 5 is a bottom plan view thereof; FIG. 6 is a right end elevation view thereof; FIG. 7 is a left end elevation view thereof; FIG. 8 is an isometric view of an open sign incorporating my new design in a second, alternate vertical configuration, wherein the portions illustrated in broken lines form no part of the claimed design, and wherein the bottom plan view thereof is identical to FIG. 6, and the left end elevation view is identical to FIG. 5; FIG. 9 is a front elevation view thereof; FIG. 10 is a rear elevation view thereof; FIG. 11 is a top plan view thereof; and, FIG. 12 is a right side elevation view thereof.

**1 Claim, 9 Drawing Sheets**



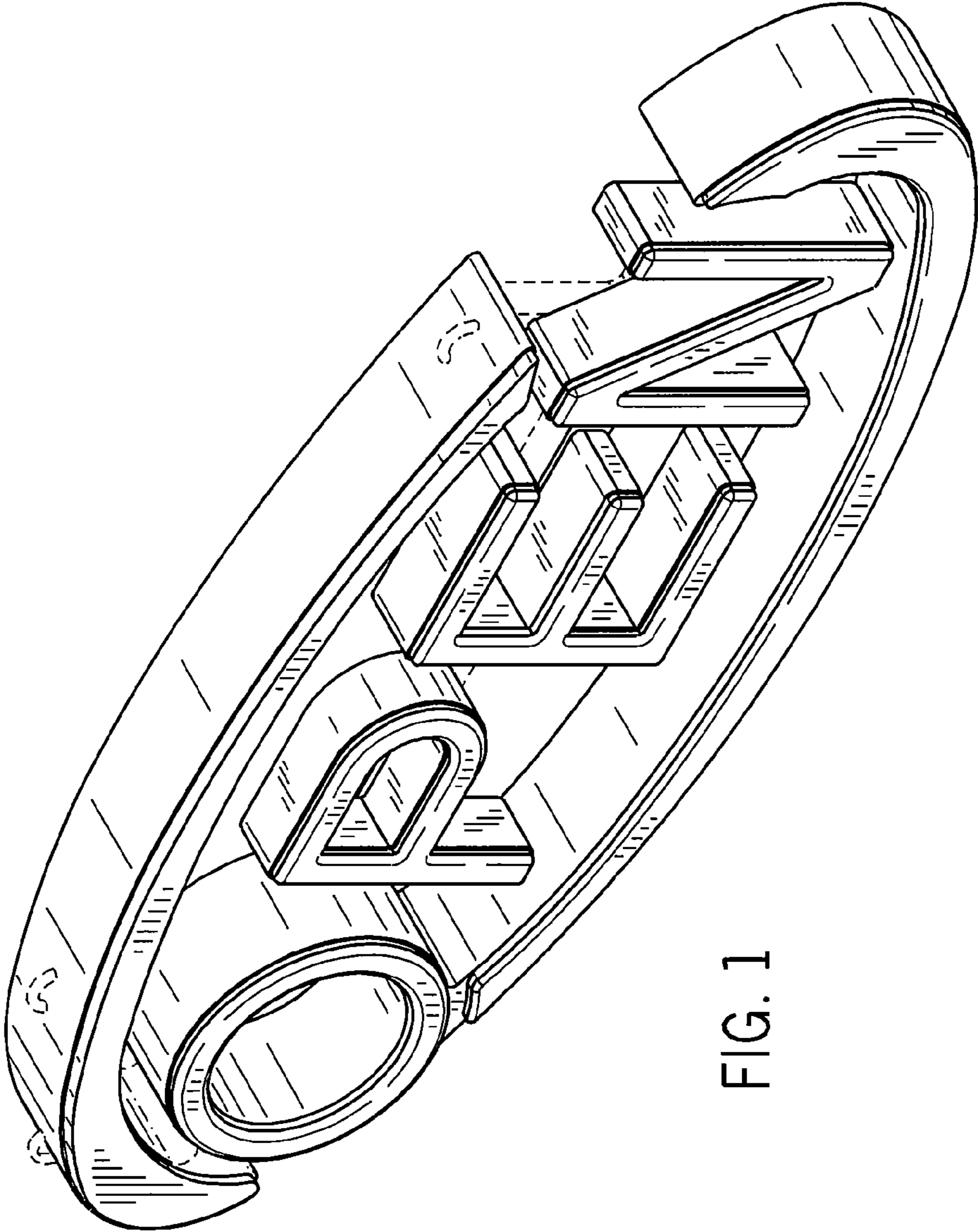


FIG. 1

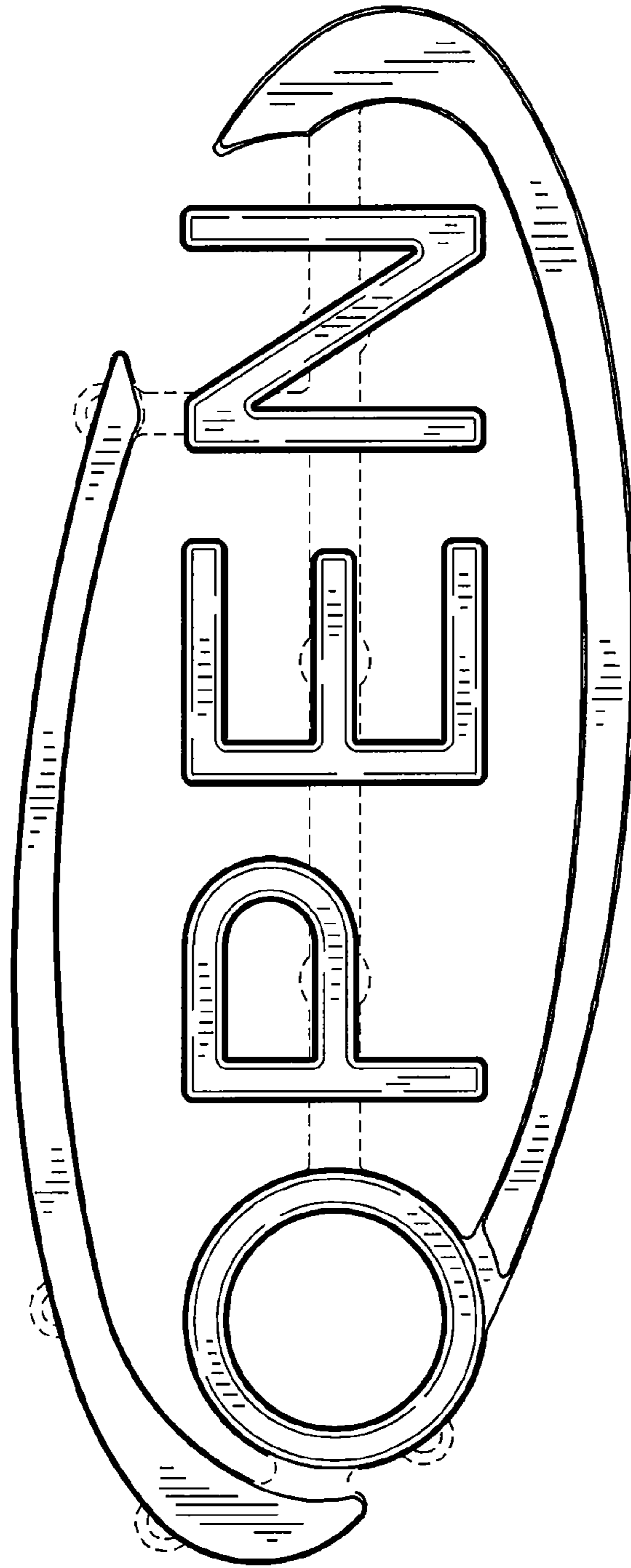


FIG. 2

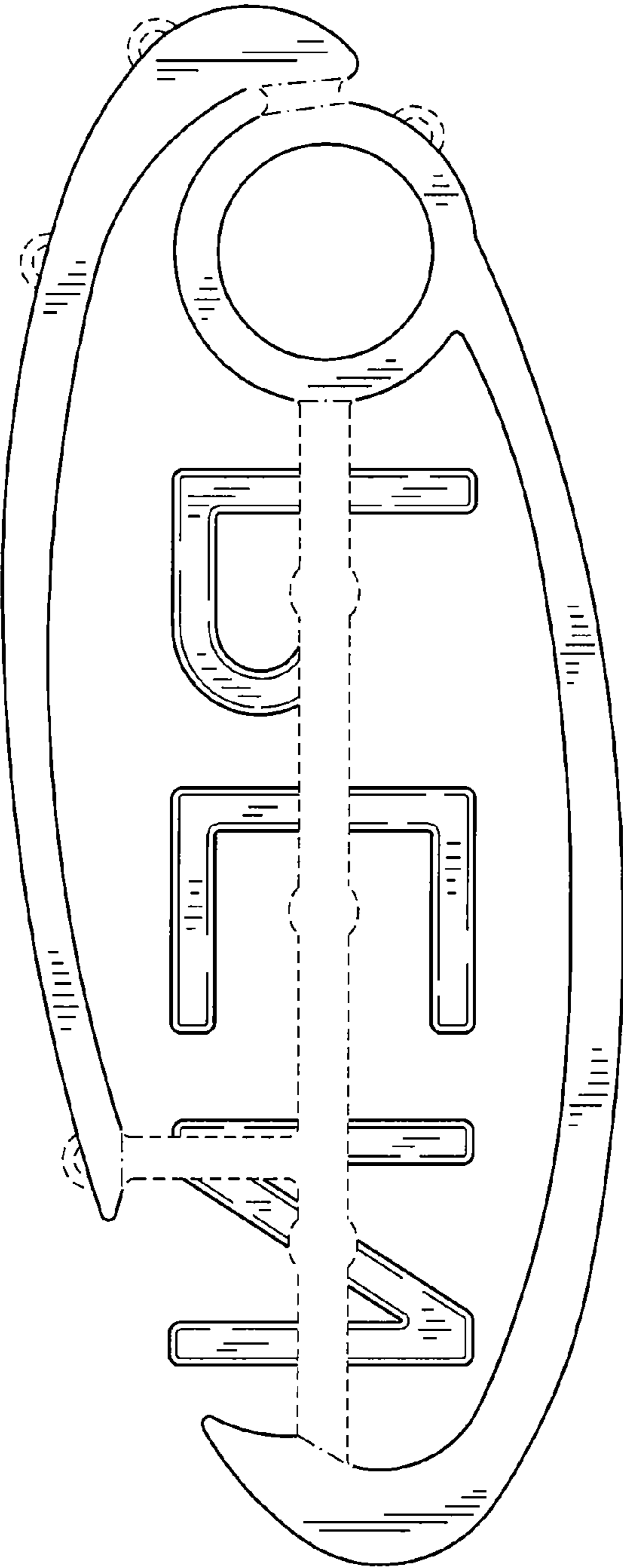


FIG. 3

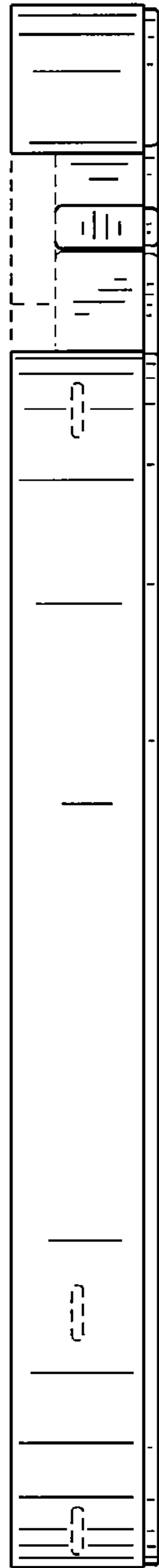


FIG. 4

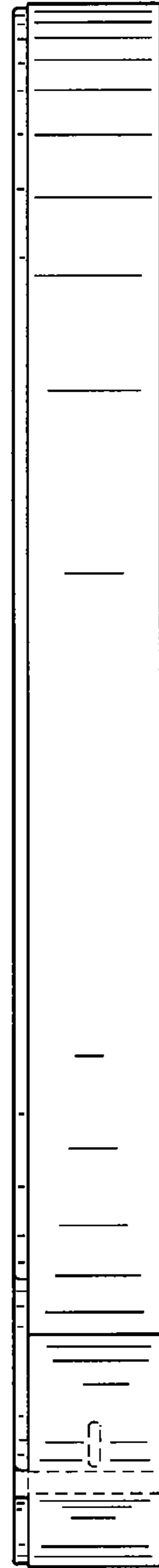


FIG. 5

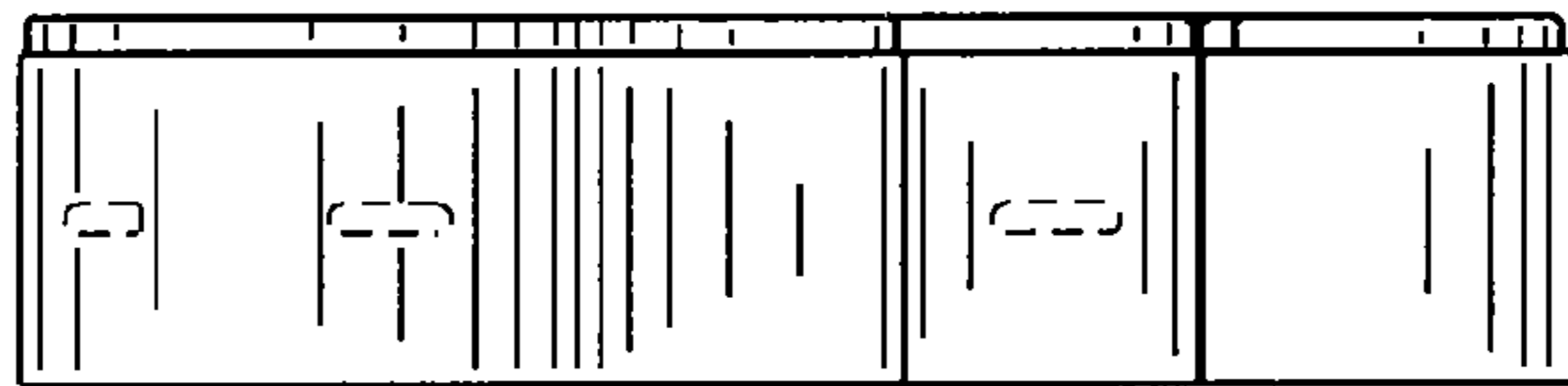


FIG. 7



FIG. 6



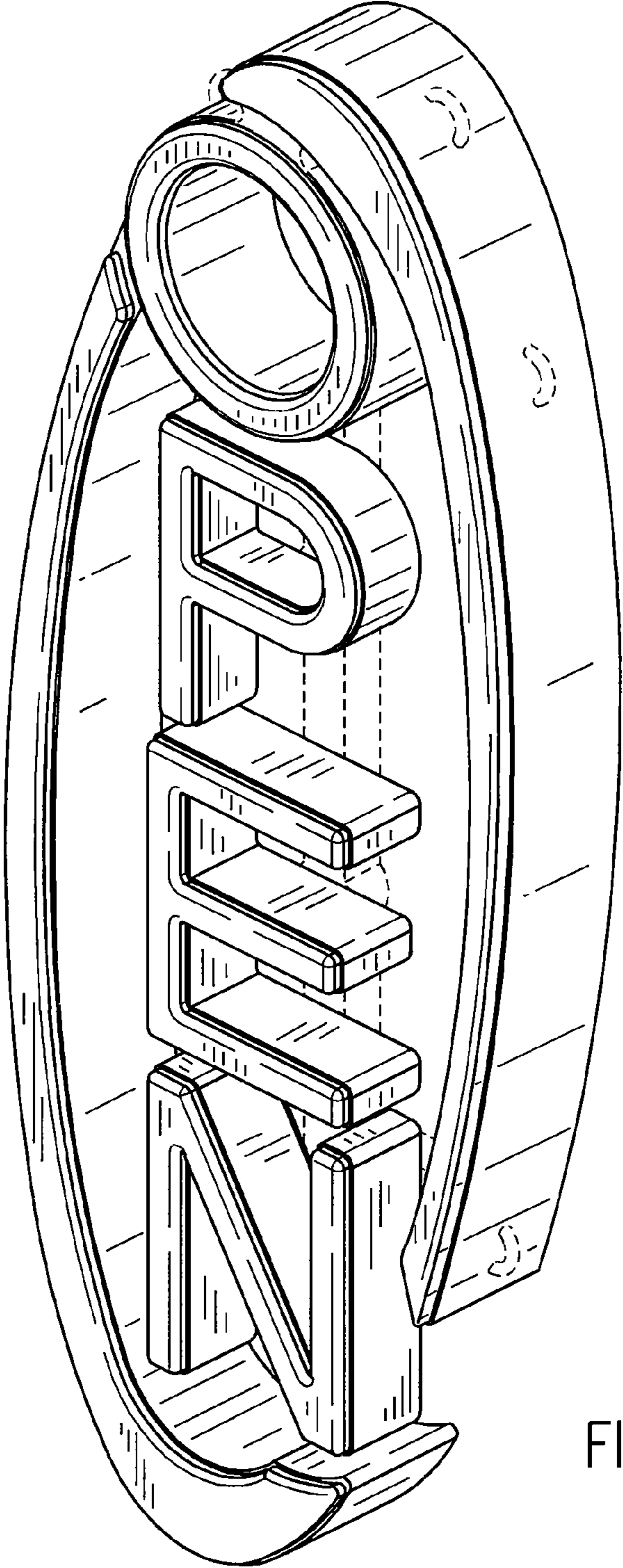


FIG. 8

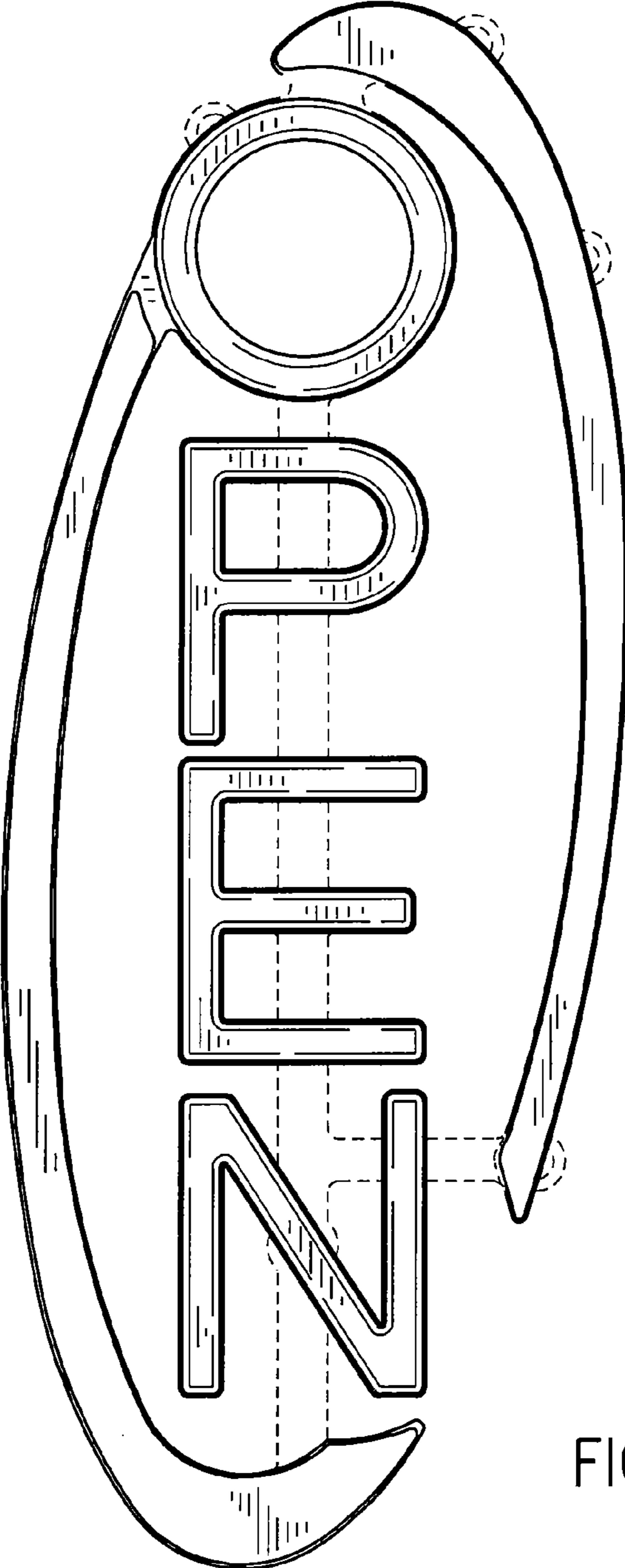


FIG. 9



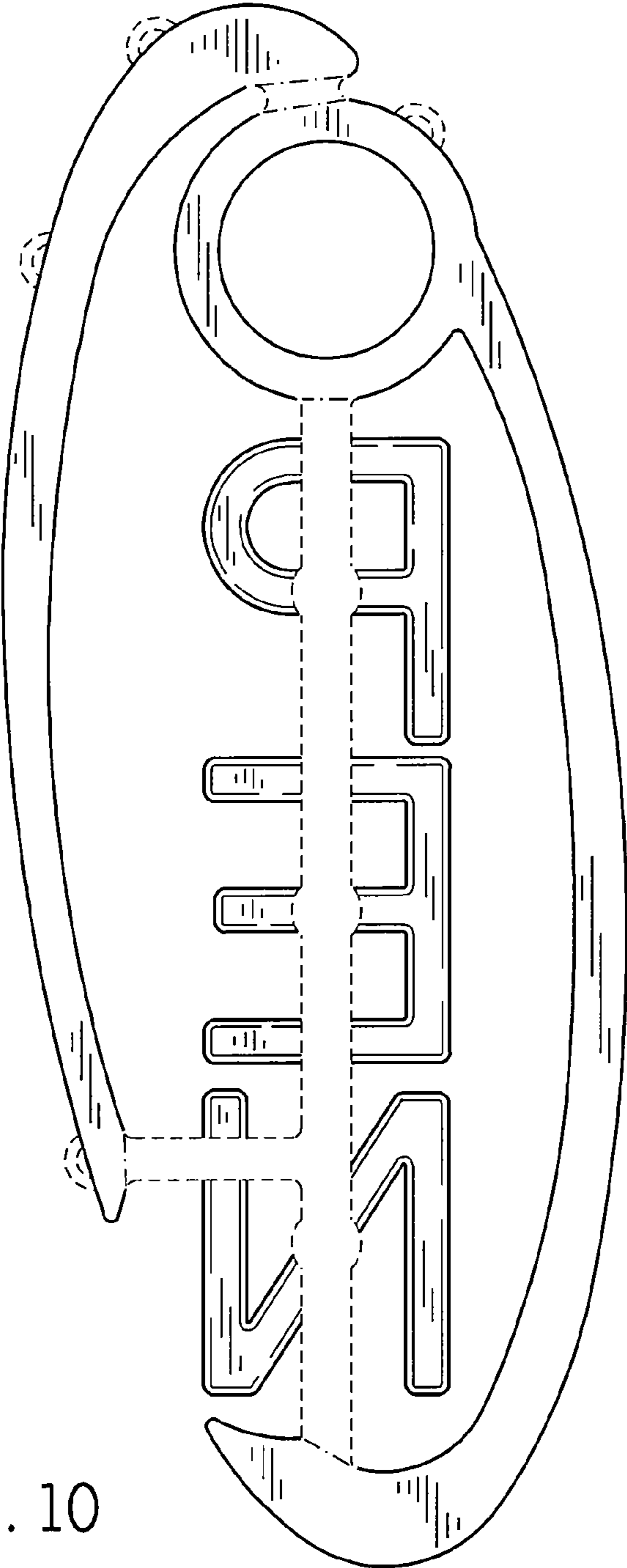


FIG. 10

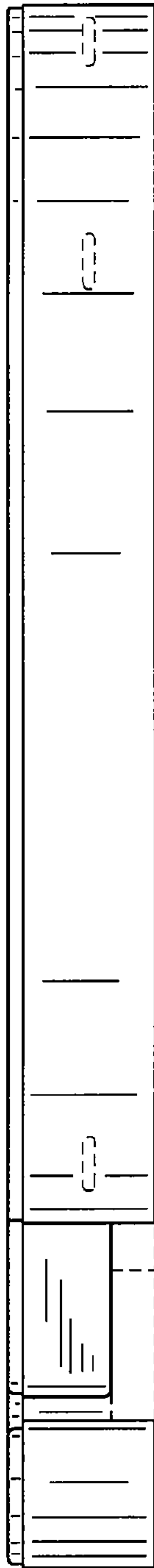


FIG. 11

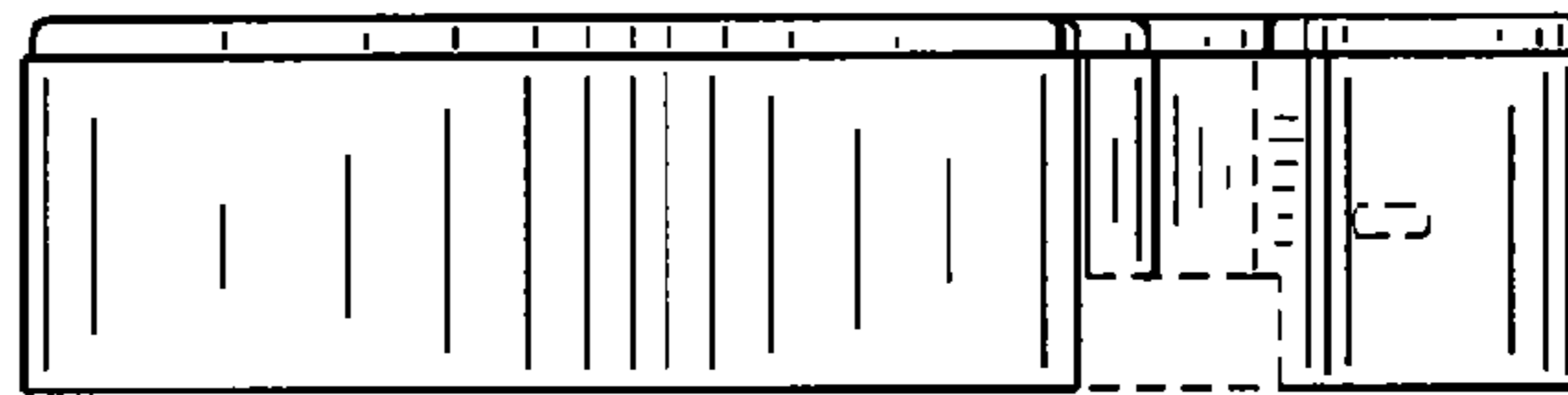


FIG. 12