



US00D641424S

(12) **United States Design Patent**
Bengyak

(10) **Patent No.:** **US D641,424 S**
(45) **Date of Patent:** **** Jul. 12, 2011**

(54) **HAND SIGN**

(76) Inventor: **Christopher Edward Bengyak**, Vero Beach, FL (US)

(**) Term: **14 Years**

(21) Appl. No.: **29/376,199**

(22) Filed: **Oct. 4, 2010**

(51) **LOC (9) Cl.** **20-02**

(52) **U.S. Cl.** **D20/29; D20/33**

(58) **Field of Classification Search** D20/10,
D20/18, 19, 29-33, 39-42, 99, 109; 40/124.01,
40/438, 441-444, 446, 448, 453, 538, 563,
40/564, 572, 582, 584, 586; D2/615; D21/400;
D22/104; 206/81; 362/812

See application file for complete search history.

(56) **References Cited**

U.S. PATENT DOCUMENTS

D40,239 S * 8/1909 Moray D20/33
1,750,215 A * 3/1930 Dwyer 206/0.81

(Continued)

OTHER PUBLICATIONS

18" Pistol Waver—WellPromo.com, Copyright 2008 (C) East Bright Phearl Co Ltd, <http://www.wellpromo.com/Wholesale/Foam/18--Pistol-Waver-179563.htm>, pulled from the web Feb. 22, 2011.*

Primary Examiner — Mary Ann Calabrese

(74) *Attorney, Agent, or Firm* — Mayback & Hoffman, P.A.; Gregory L. Mayback; Rebecca A. Tie

(57) **CLAIM**

The ornamental design for a hand sign, as shown and described.

DESCRIPTION

FIG. 1 is a right side elevational view of an exemplary embodiment of the hand sign according to the invention with a palm-side design;

FIG. 2 is a left side elevational view of the hand sign of FIG. 1 with a dorsal-side design;

FIG. 3 is a left side perspective view of the hand sign of FIG. 1 viewed from above;

FIG. 4 is a left side perspective view of the hand sign of FIG. 1 viewed from below;

FIG. 5 is a left side perspective view of the hand sign of FIG. 1 viewed from an open end;

FIG. 6 is a top plan view of the hand sign of FIG. 1 with the open end at the left of the figure;

FIG. 7 is a bottom plan view of the hand sign of FIG. 1 with the open end at the left of the figure;

FIG. 8 is a front plan view of the hand sign of FIG. 1 opposite the open end with the top of the hand sign at the left of the figure;

FIG. 9 is an open end plan view of the hand sign of FIG. 1 with the top of the hand sign at the left of the figure;

FIG. 10 is a left side elevational view of another exemplary embodiment of the hand sign according to the invention with the palm-side design;

FIG. 11 is a right side elevational view of the hand sign of FIG. 10 with the dorsal-side design;

FIG. 12 is a right side perspective view of the hand sign of FIG. 11 viewed from above;

FIG. 13 is a right side perspective view of the hand sign of FIG. 11 viewed from below;

FIG. 14 is a right side perspective view of the hand sign of FIG. 11 viewed from the open end;

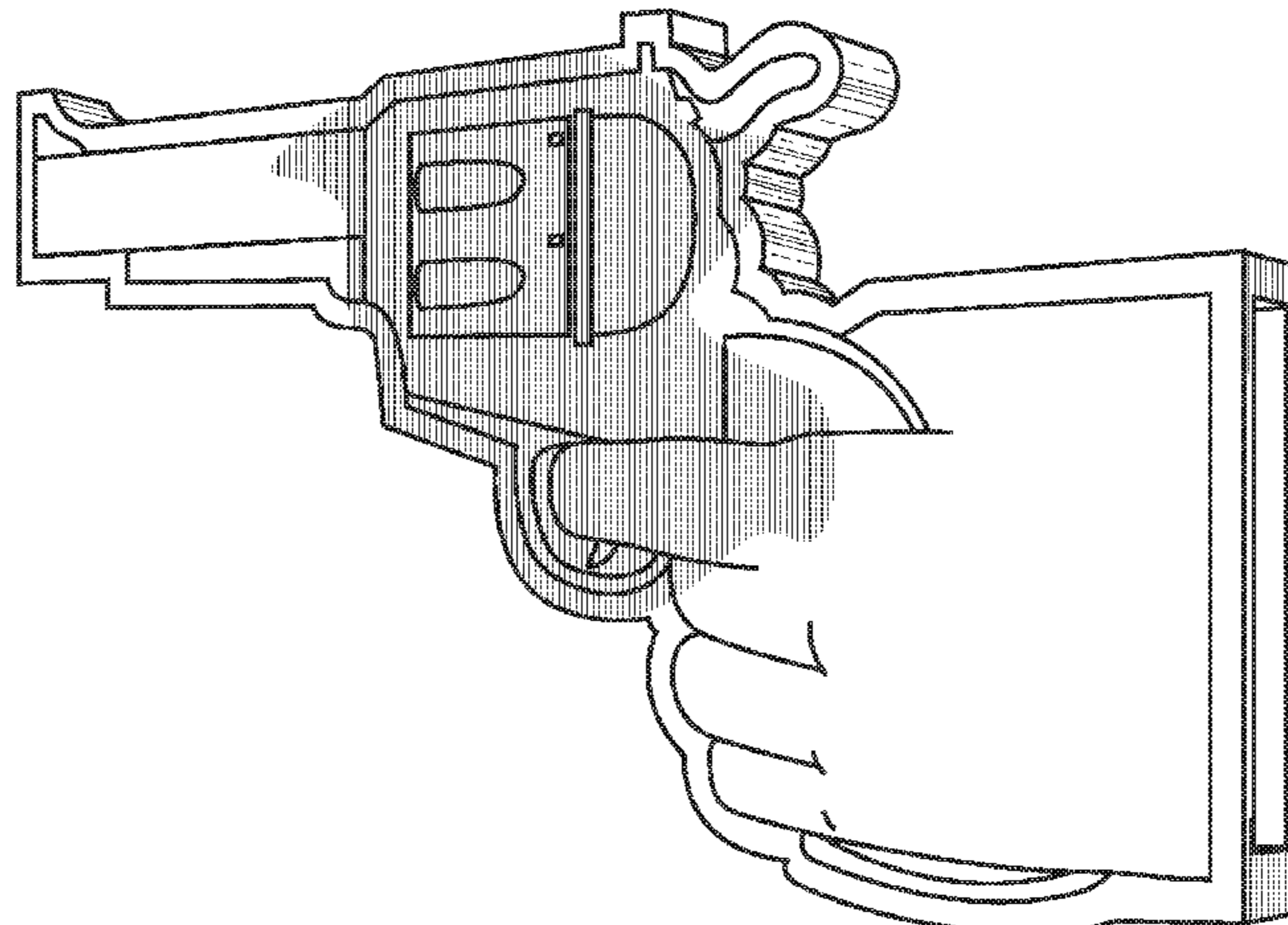
FIG. 15 is a top plan view of the hand sign of FIG. 10 with the open end at the right of the figure;

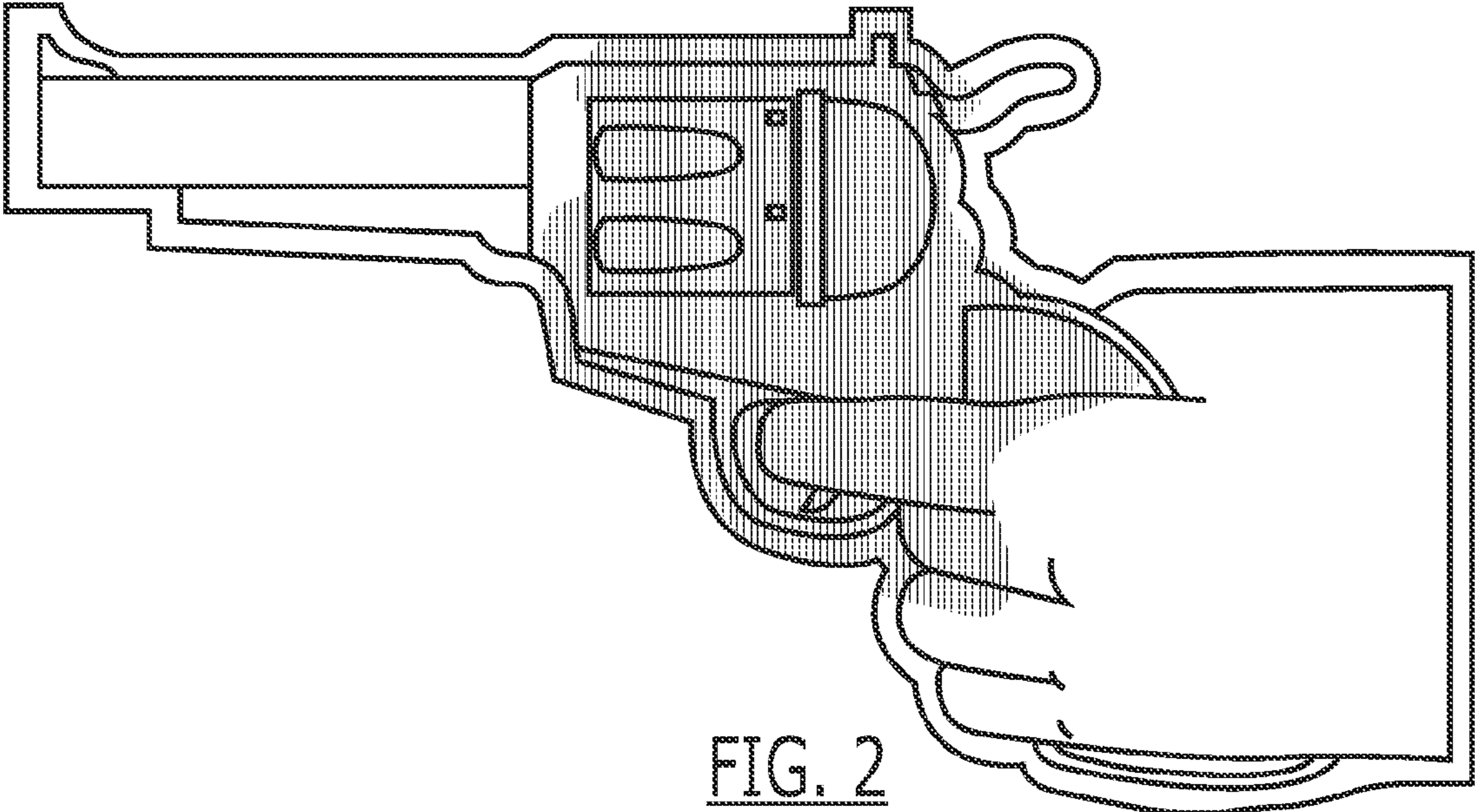
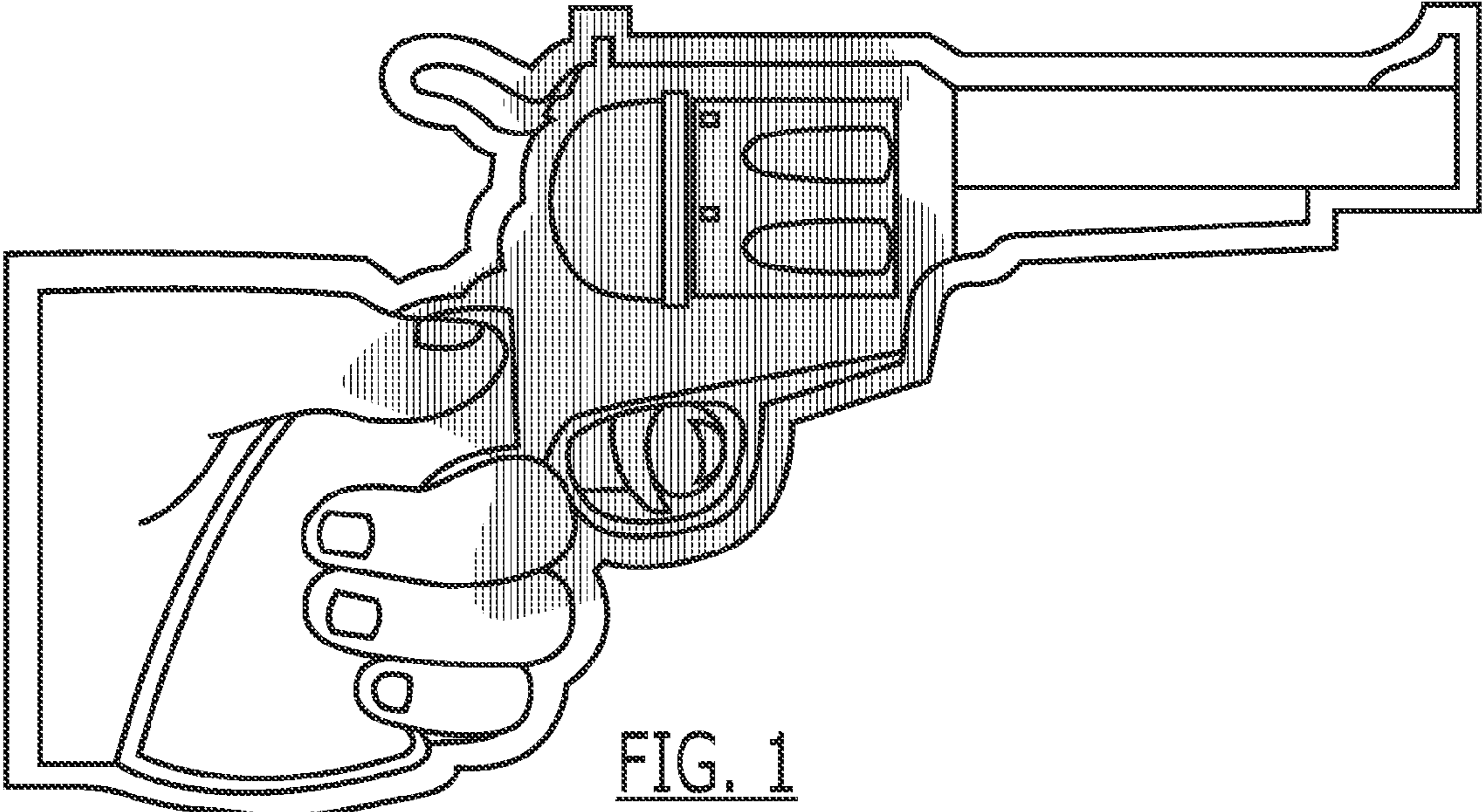
FIG. 16 is a bottom plan view of the hand sign of FIG. 10 with the open end at the right of the figure;

FIG. 17 is a front plan view of the hand sign of FIG. 10 opposite the open end with the top of the hand sign at the right of the figure; and,

FIG. 18 is an open end plan view of the hand sign of FIG. 10 with the top of the hand sign at the right of the figure.

1 Claim, 8 Drawing Sheets





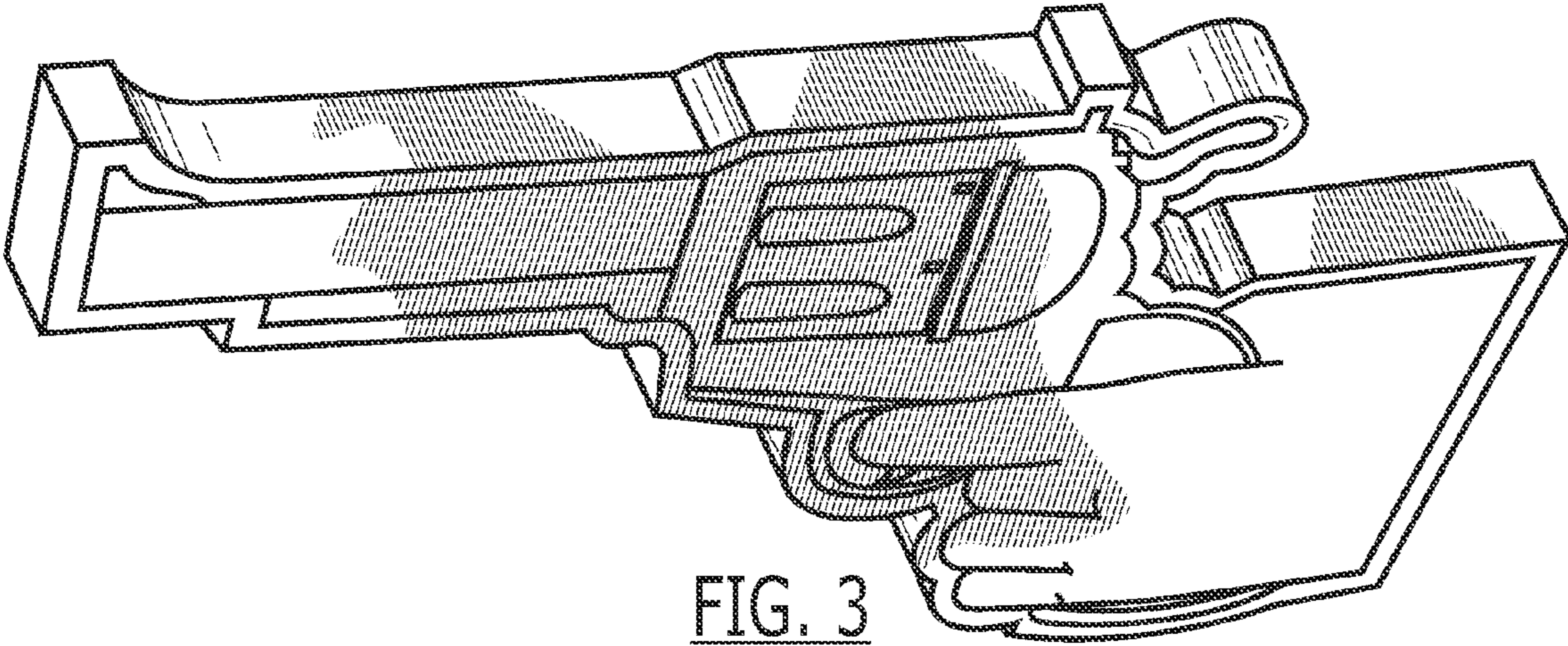


FIG. 3

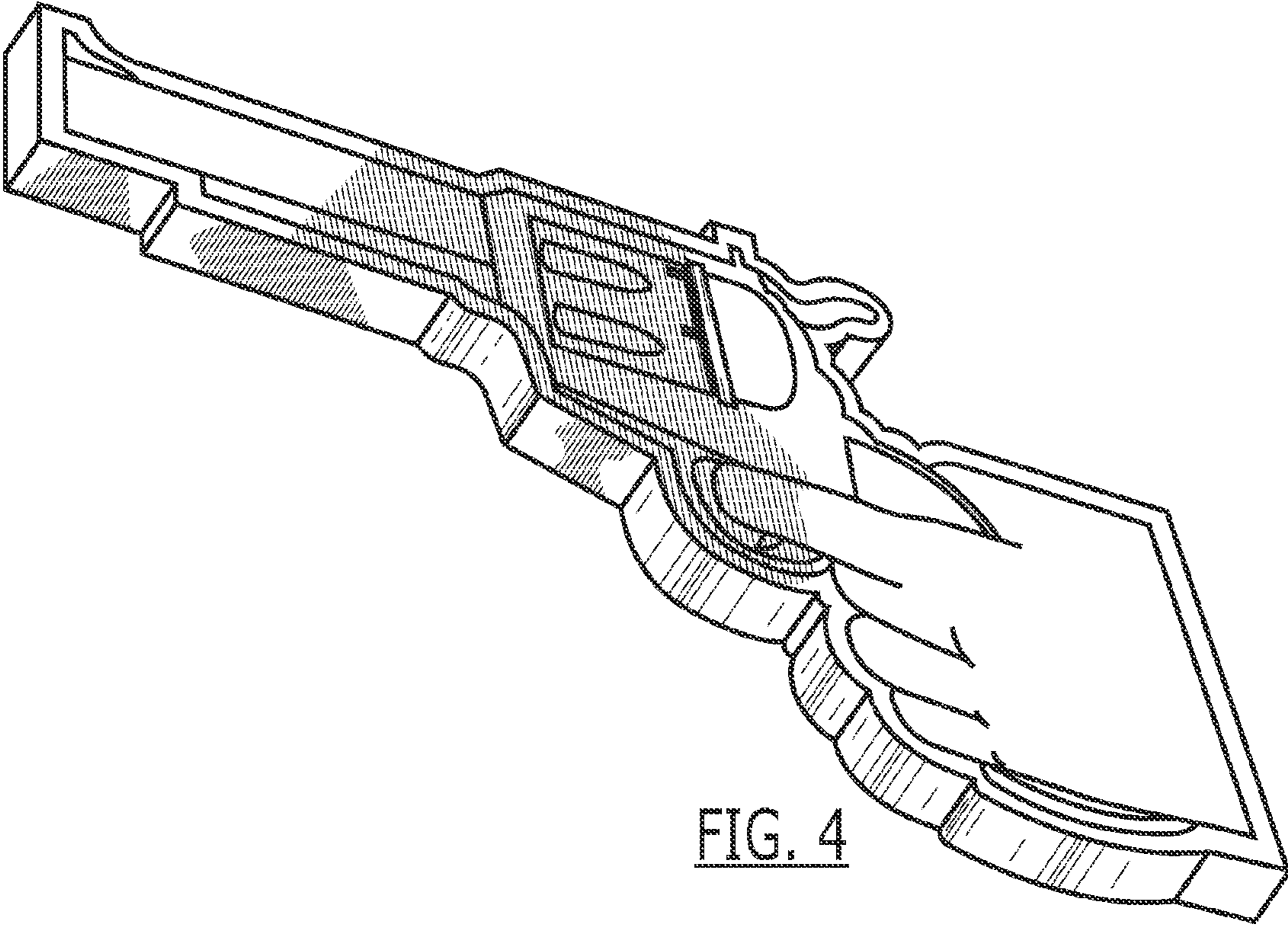


FIG. 4

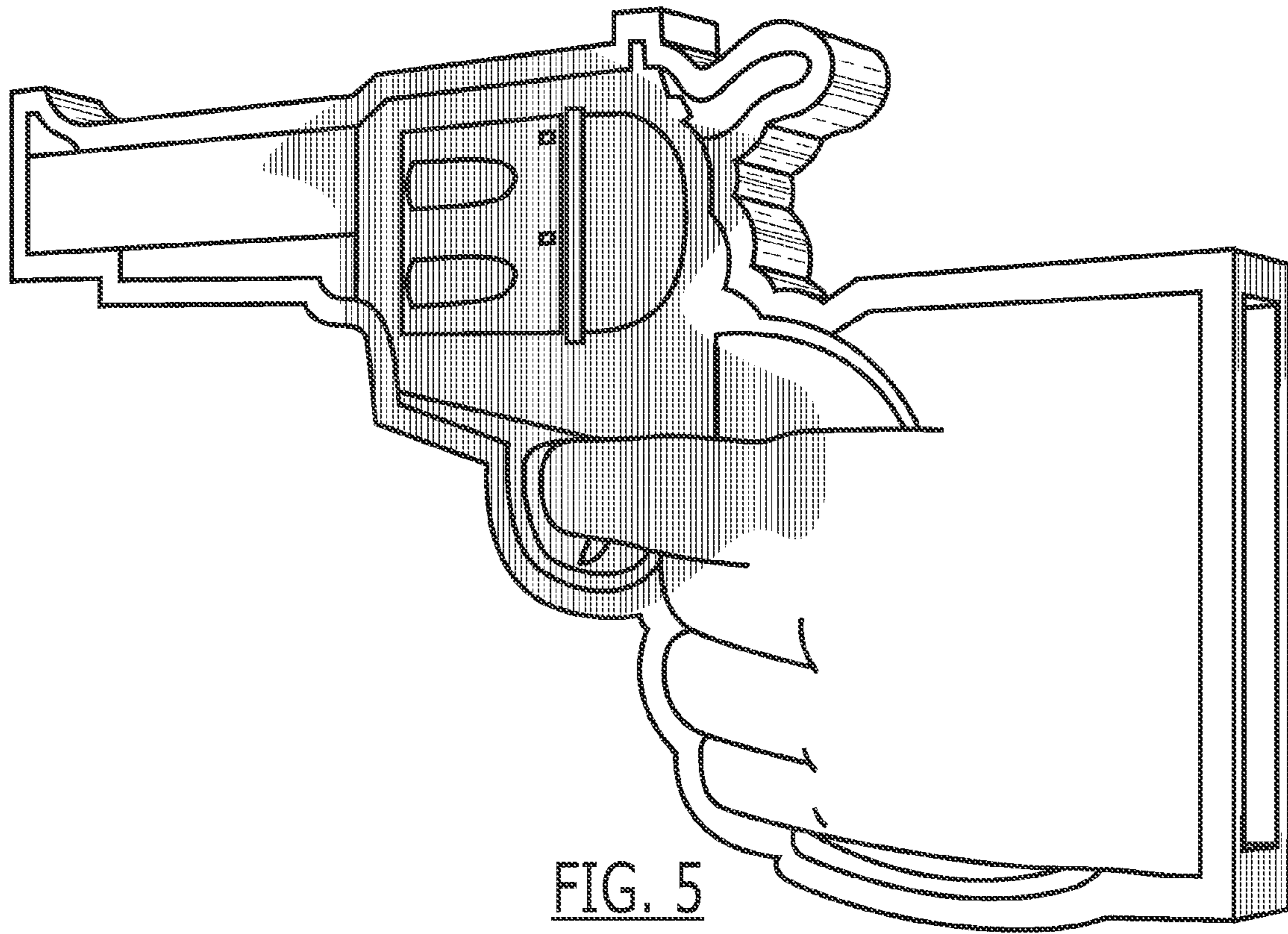


FIG. 5

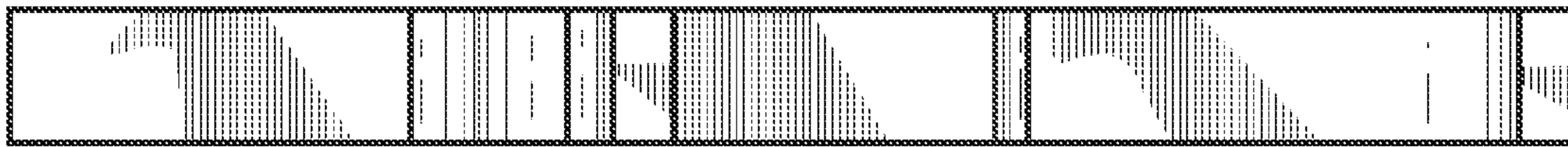


FIG. 6

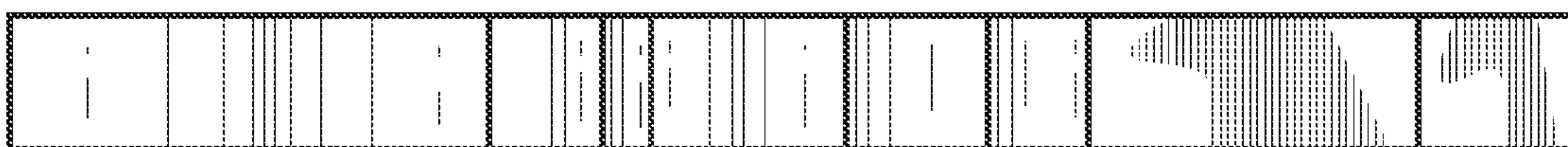


FIG. 7

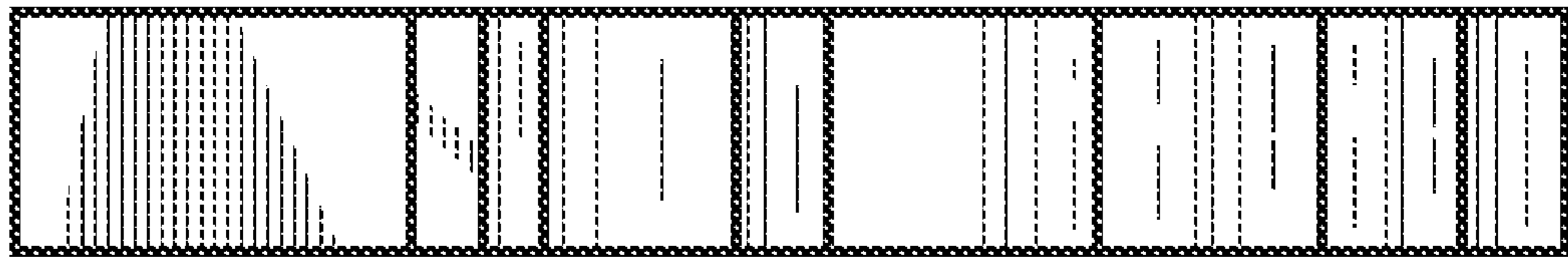


FIG. 8

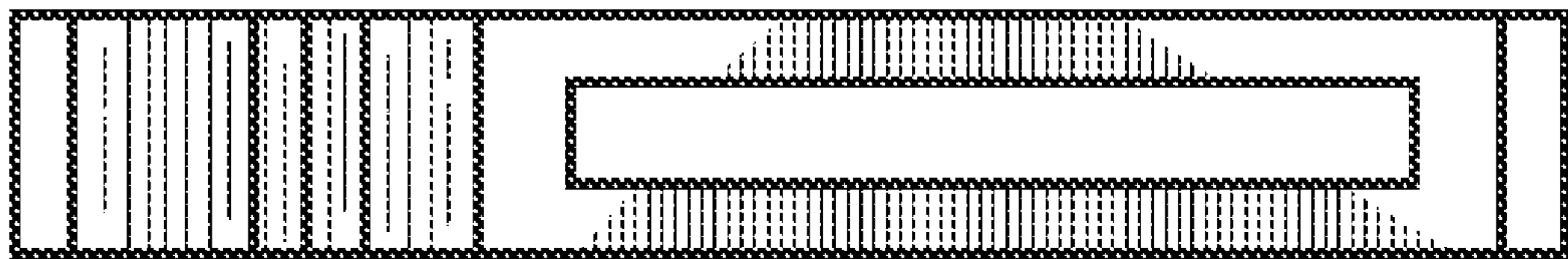
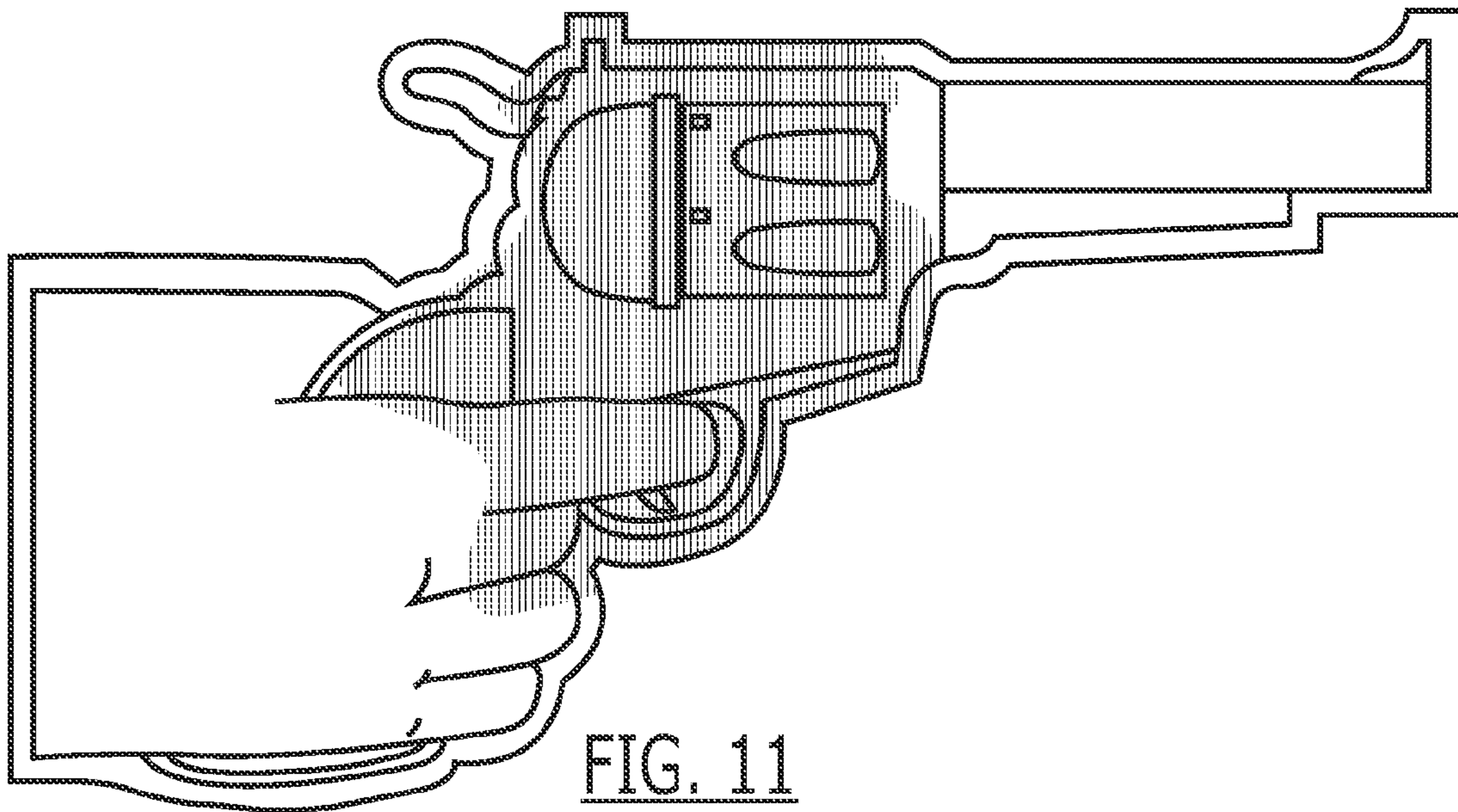
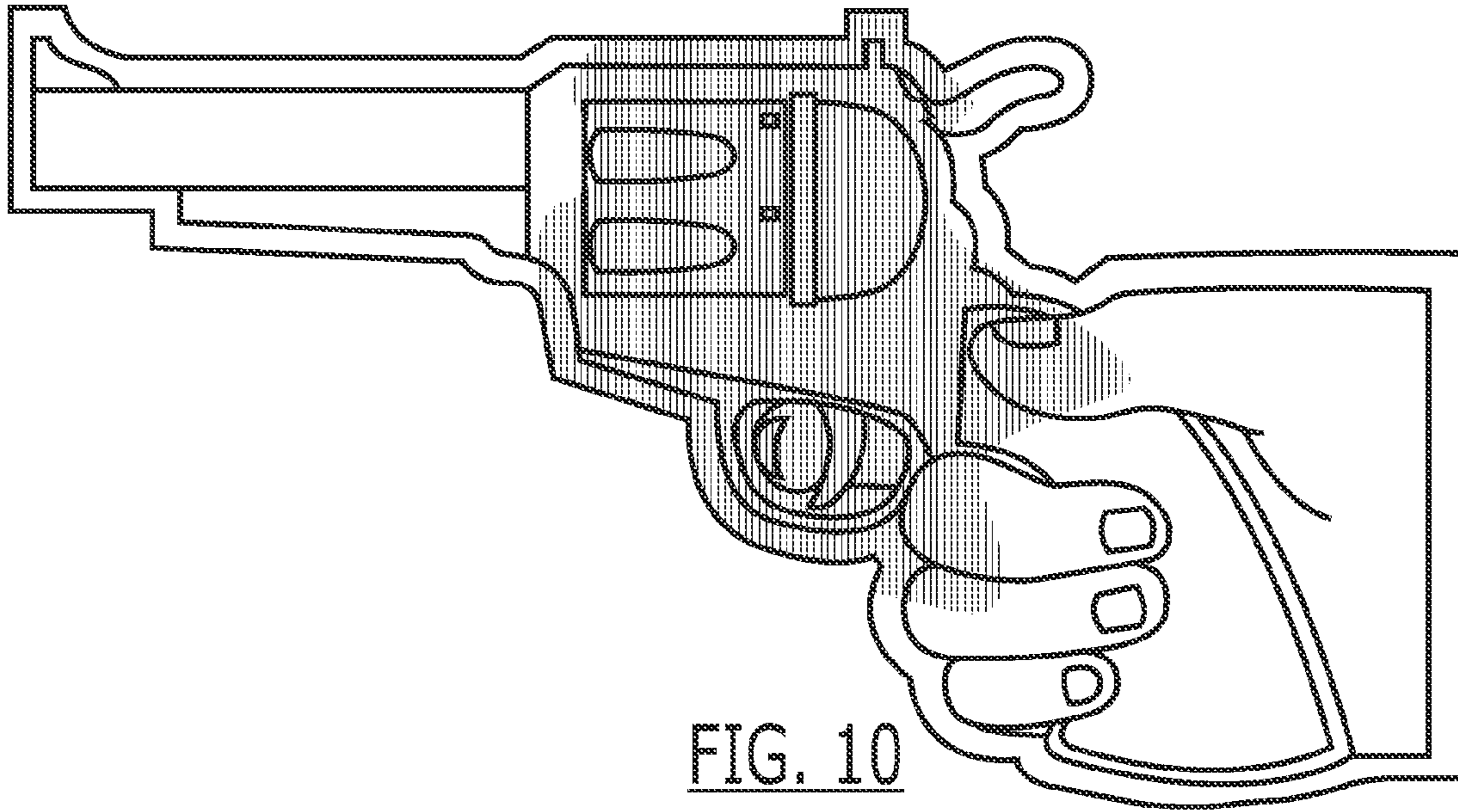


FIG. 9



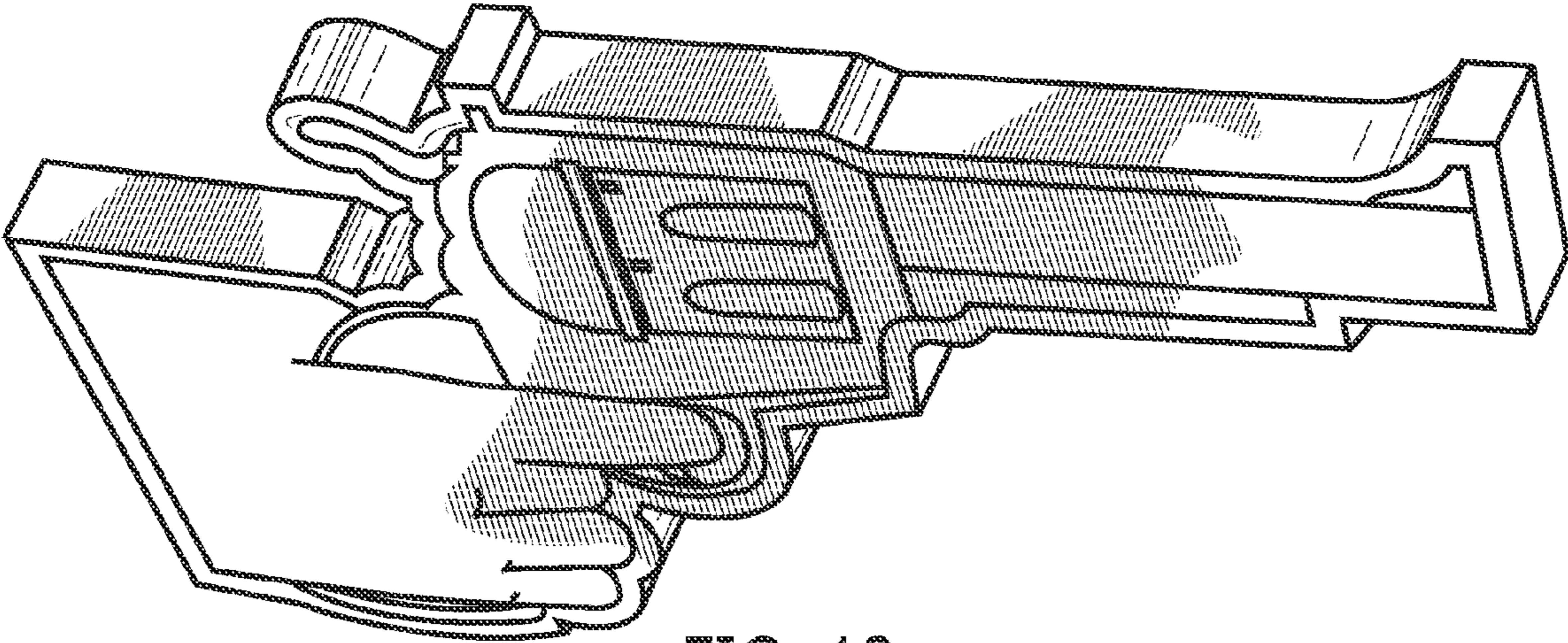


FIG. 12

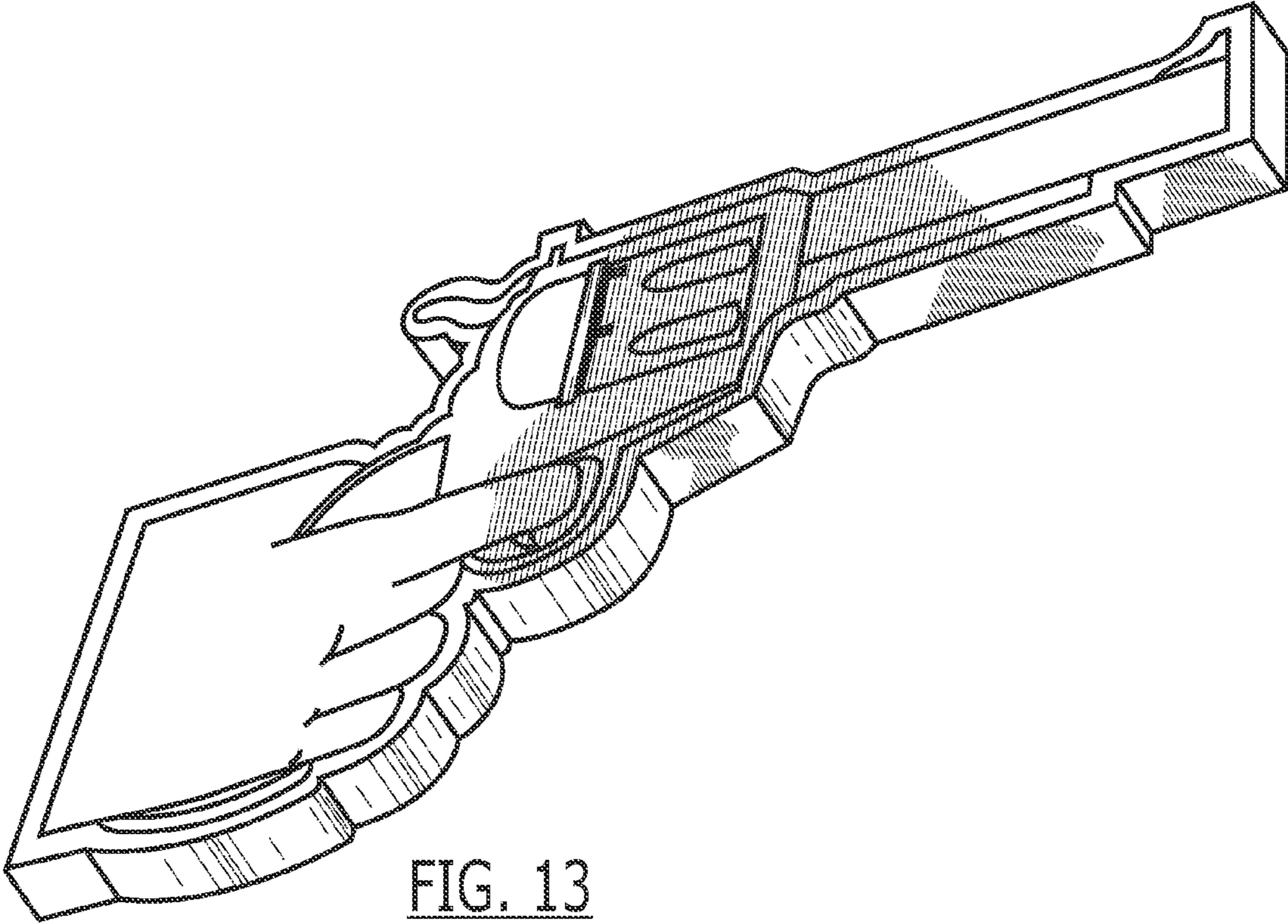


FIG. 13

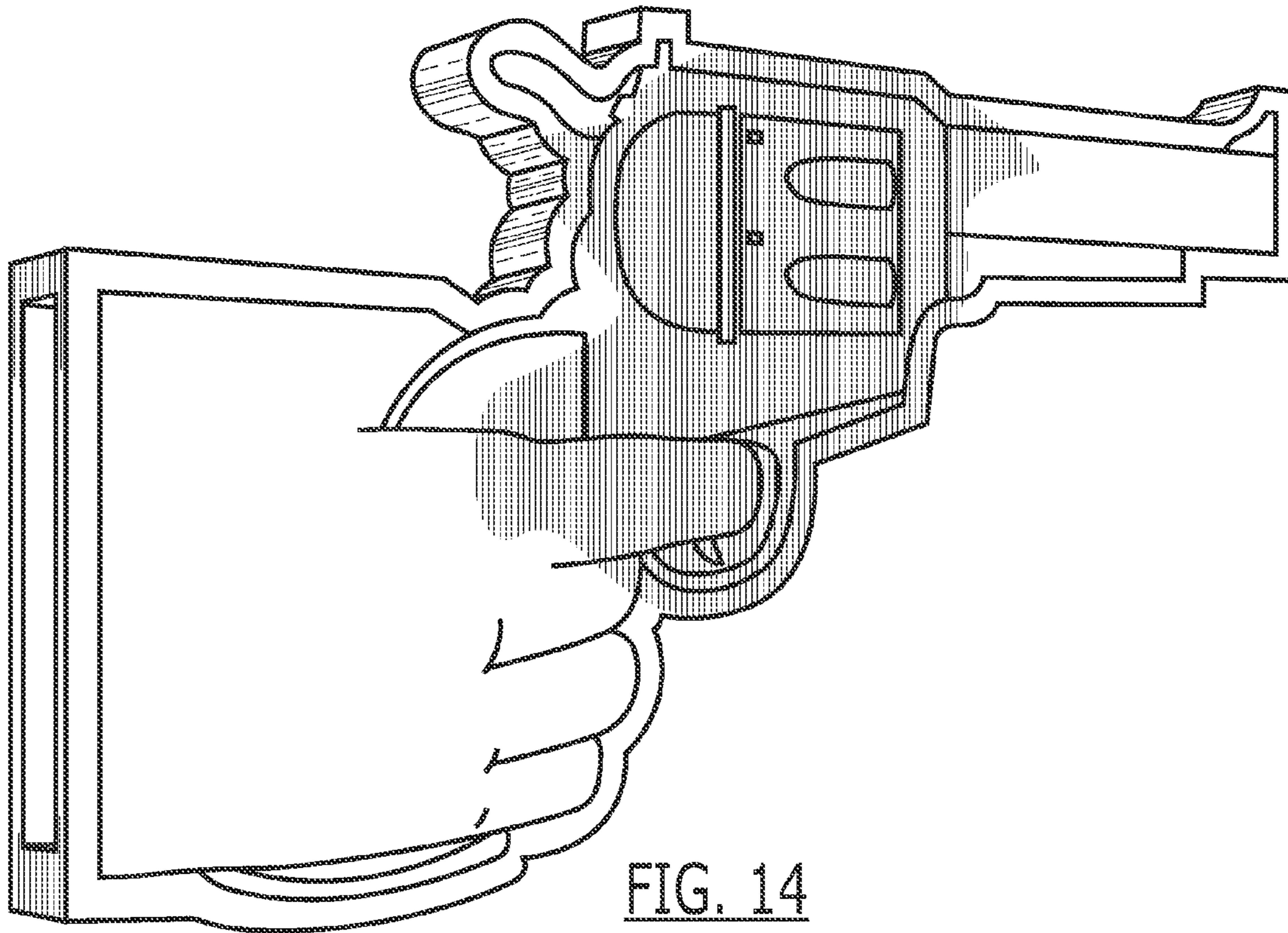


FIG. 14

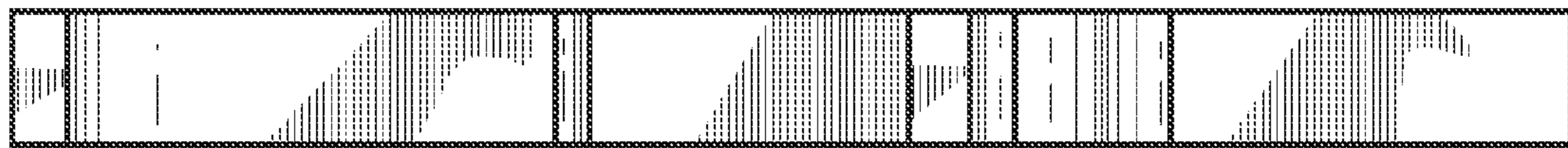


FIG. 15

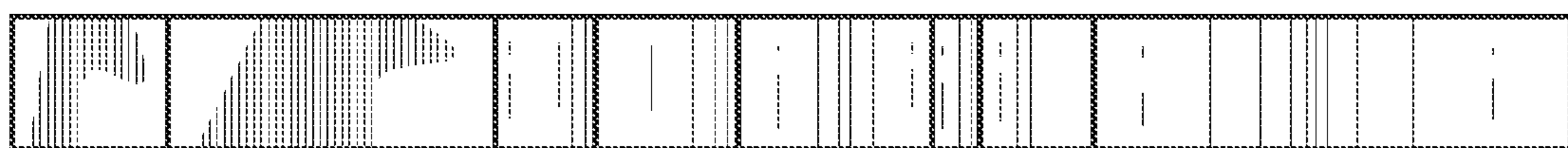


FIG. 16

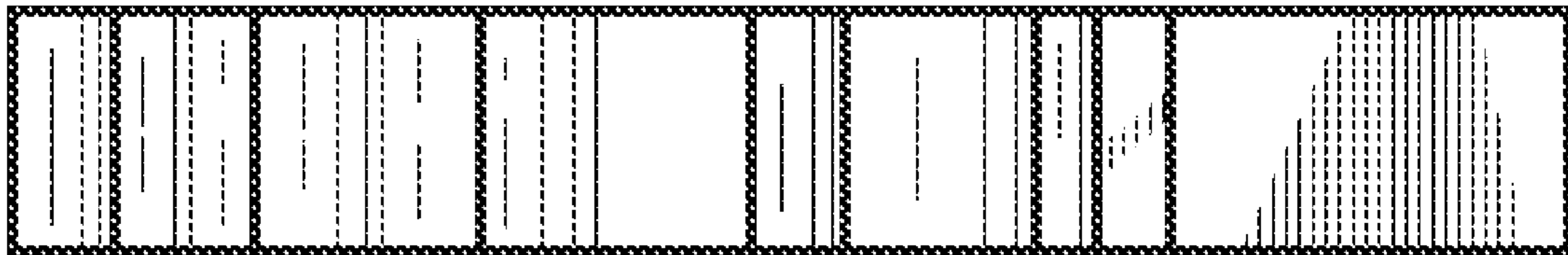


FIG. 17

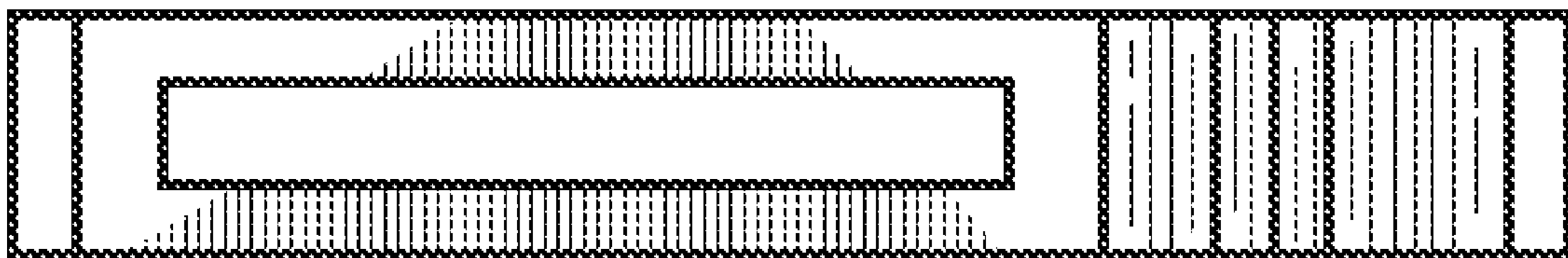


FIG. 18