



US00D641419S

(12) **United States Design Patent**  
**Hultzman et al.**

(10) **Patent No.:** **US D641,419 S**

(45) **Date of Patent:** **\*\* Jul. 12, 2011**

(54) **VENDING MACHINE BUTTON**

(75) Inventors: **Scott Hultzman**, Putnam, CT (US);  
**Joseph Spanedda**, Foster, RI (US);  
**Richard P. Rondeau**, Hope, RI (US)

(73) Assignee: **GTECH Corporation**, Providence, RI (US)

(\*\*) Term: **14 Years**

(21) Appl. No.: **29/364,037**

(22) Filed: **Jun. 17, 2010**

**Related U.S. Application Data**

(62) Division of application No. 29/344,949, filed on Oct. 6, 2009, now Pat. No. Des. 620,051.

(51) **LOC (9) Cl.** ..... **20-01**

(52) **U.S. Cl.** ..... **D20/8**

(58) **Field of Classification Search** ..... D20/1-9,  
D20/99; 221/92, 94, 104, 124, 126, 133,  
221/151, 154, 155, 191, 194; D10/97  
See application file for complete search history.

(56) **References Cited**

**U.S. PATENT DOCUMENTS**

D353,624 S 12/1994 Schwarzli

D420,393 S *	2/2000	Manno, Sr. ....	D20/8
D548,283 S	8/2007	George	
7,383,099 B2 *	6/2008	Pollard et al. ....	700/232
D584,359 S	1/2009	Chirnomas et al.	
D595,359 S	6/2009	Becker et al.	
D620,051 S *	7/2010	Hultzman et al. ....	D20/8
2002/0092861 A1	7/2002	Zerwig et al.	
2008/0296313 A1	12/2008	Giglio et al.	

\* cited by examiner

*Primary Examiner* — Mary Ann Calabrese

(74) *Attorney, Agent, or Firm* — Sullivan & Worcester LLP;  
Christopher T. McWhinney

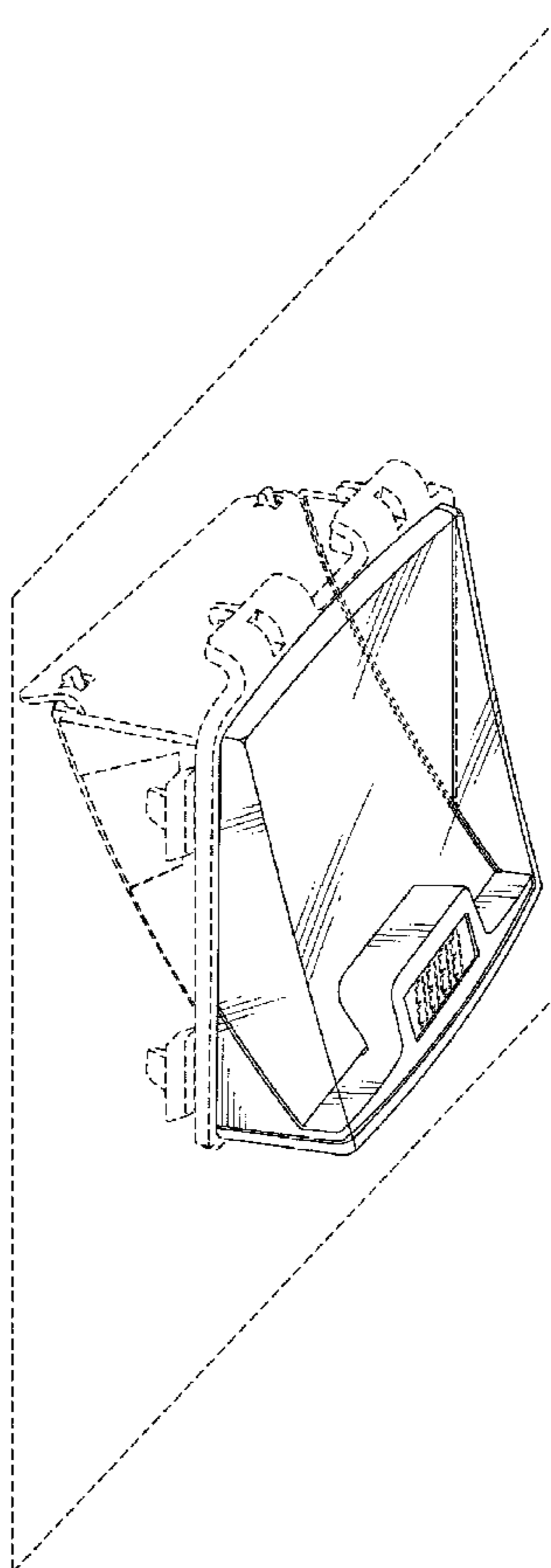
(57) **CLAIM**

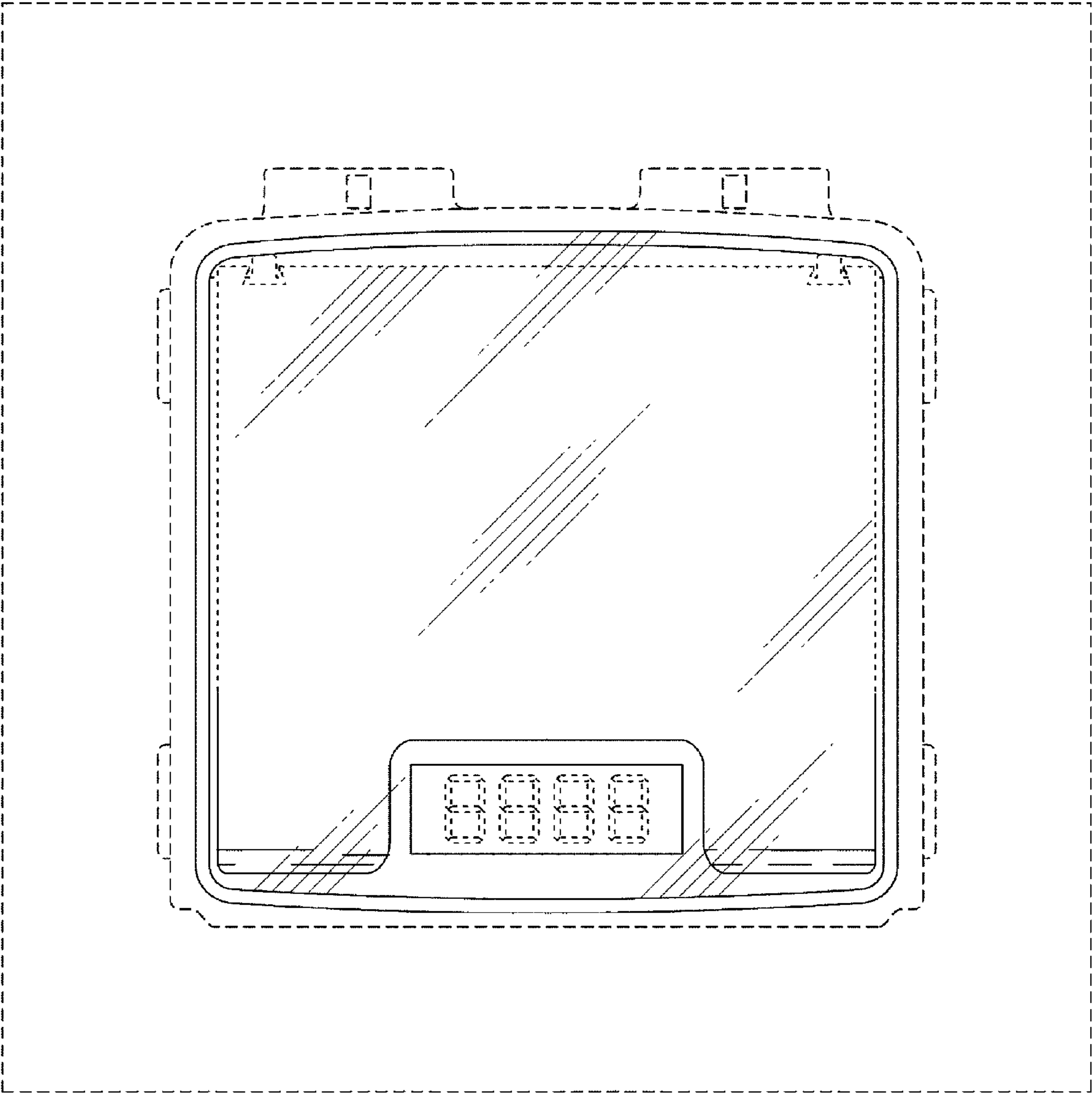
We claim the ornamental design for a vending machine button, as shown and described.

**DESCRIPTION**

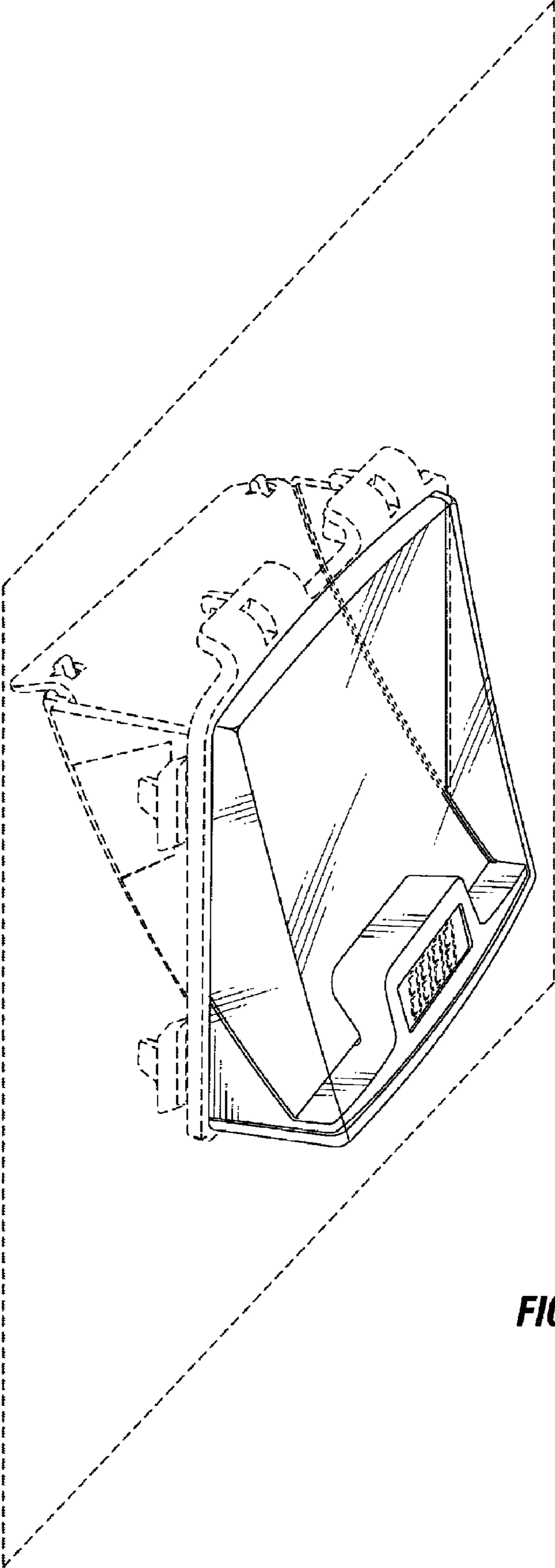
FIG. 1 is a front elevational view of a vending machine button according to our new design; and, FIG. 2 is a front perspective view thereof. In the drawings the broken lines illustrate environment or unclaimed features of the vending machine button and form no part of the claimed design.

**1 Claim, 2 Drawing Sheets**





**FIG. 1**



**FIG. 2**