



US00D641417S

(12) **United States Design Patent**
Jour

(10) **Patent No.:** **US D641,417 S**

(45) **Date of Patent:** **** Jul. 12, 2011**

(54) **NOTEPAPER HOLDER**

(76) Inventor: **David C. T. Jour**, Taipei (TW)

(**) Term: **14 Years**

(21) Appl. No.: **29/376,045**

(22) Filed: **Sep. 30, 2010**

(51) **LOC (9) Cl.** **19-02**

(52) **U.S. Cl.** **D19/86**

(58) **Field of Classification Search** D6/515,
D6/518, 519; D9/734; D19/65, 75, 78, 86-92,
D19/34, 33; 206/39.5, 215, 233, 494, 555;
221/45, 46, 48, 52, 56, 59, 61, 63; 281/34,
281/38, 42, 44; 283/65; 402/73

See application file for complete search history.

D508,955	S *	8/2005	Jour	D19/86
D519,566	S *	4/2006	Jour	D19/86
D556,829	S *	12/2007	Jour	D19/86
D574,435	S *	8/2008	Jour	D19/86
7,494,027	B2 *	2/2009	O'Leary et al.	221/34
D608,389	S *	1/2010	Bishop et al.	D19/1
7,654,577	B2 *	2/2010	Glosh et al.	281/44
D611,984	S *	3/2010	Ali et al.	D19/1
2006/0175342	A1 *	8/2006	Jour	221/33

* cited by examiner

Primary Examiner — Elizabeth Albert

(74) *Attorney, Agent, or Firm* — Alexander Chen, Esq.

(57) **CLAIM**

An ornamental design for a notepad holder, as shown and described.

DESCRIPTION

FIG. 1 is a front view of a notepad holder showing my new design;

FIG. 2 is a rear view thereof;

FIG. 3 is a left side view thereof;

FIG. 4 is a right side view thereof;

FIG. 5 is a top plan view thereof;

FIG. 6 is a bottom plan view thereof; and,

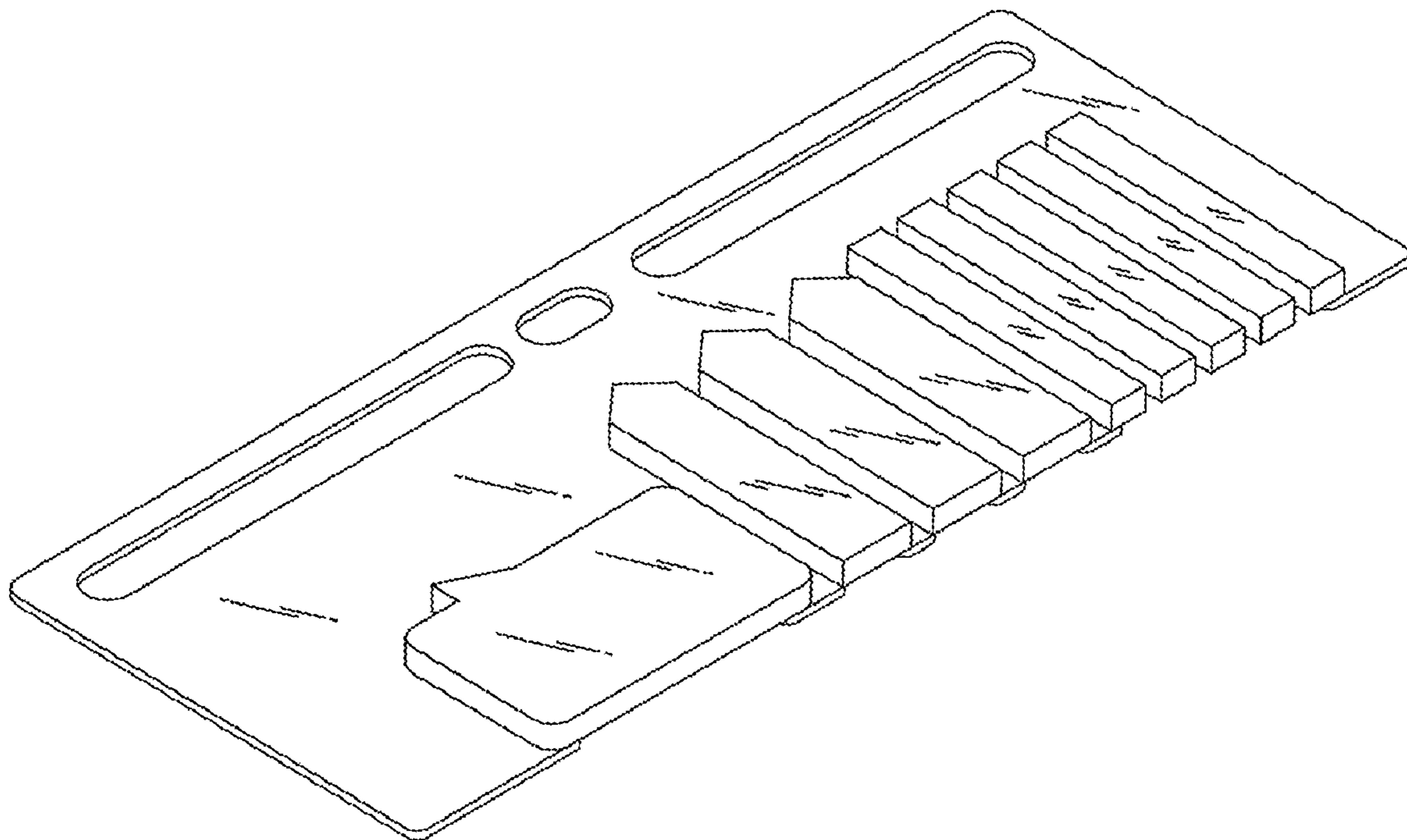
FIG. 7 is a perspective view thereof.

1 Claim, 4 Drawing Sheets

(56) **References Cited**

U.S. PATENT DOCUMENTS

D87,734	S *	9/1932	Vredenburg	D19/26
3,583,358	A *	6/1971	Hanson, Jr.	116/235
4,461,497	A *	7/1984	Downey	283/65
5,101,756	A *	4/1992	Strumbos	116/234
D329,457	S *	9/1992	Westover et al.	D19/2
5,755,337	A *	5/1998	Linn	211/13.1
5,772,247	A *	6/1998	Legrand	281/31
5,823,573	A *	10/1998	Chang	281/38
D490,856	S *	6/2004	Passarella	D19/78
D491,606	S *	6/2004	Jour	D19/86



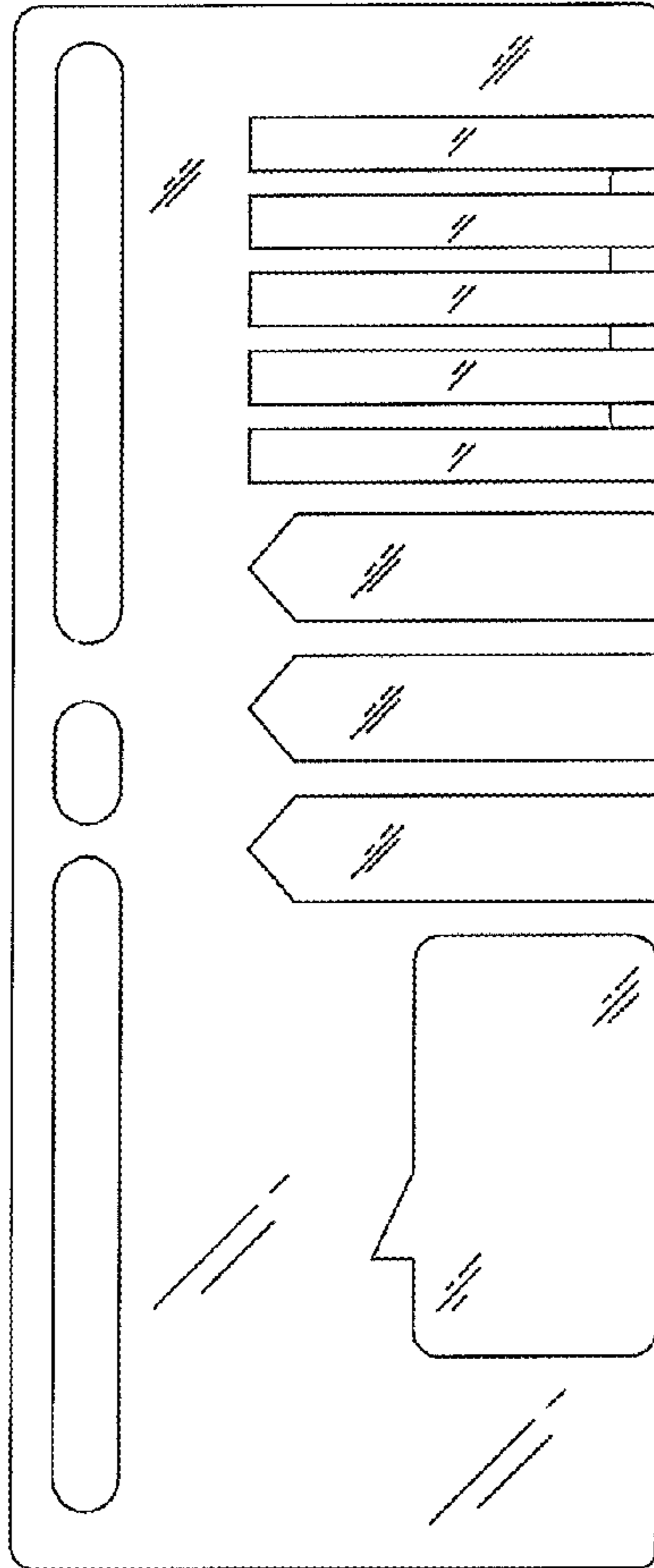


Fig. 1

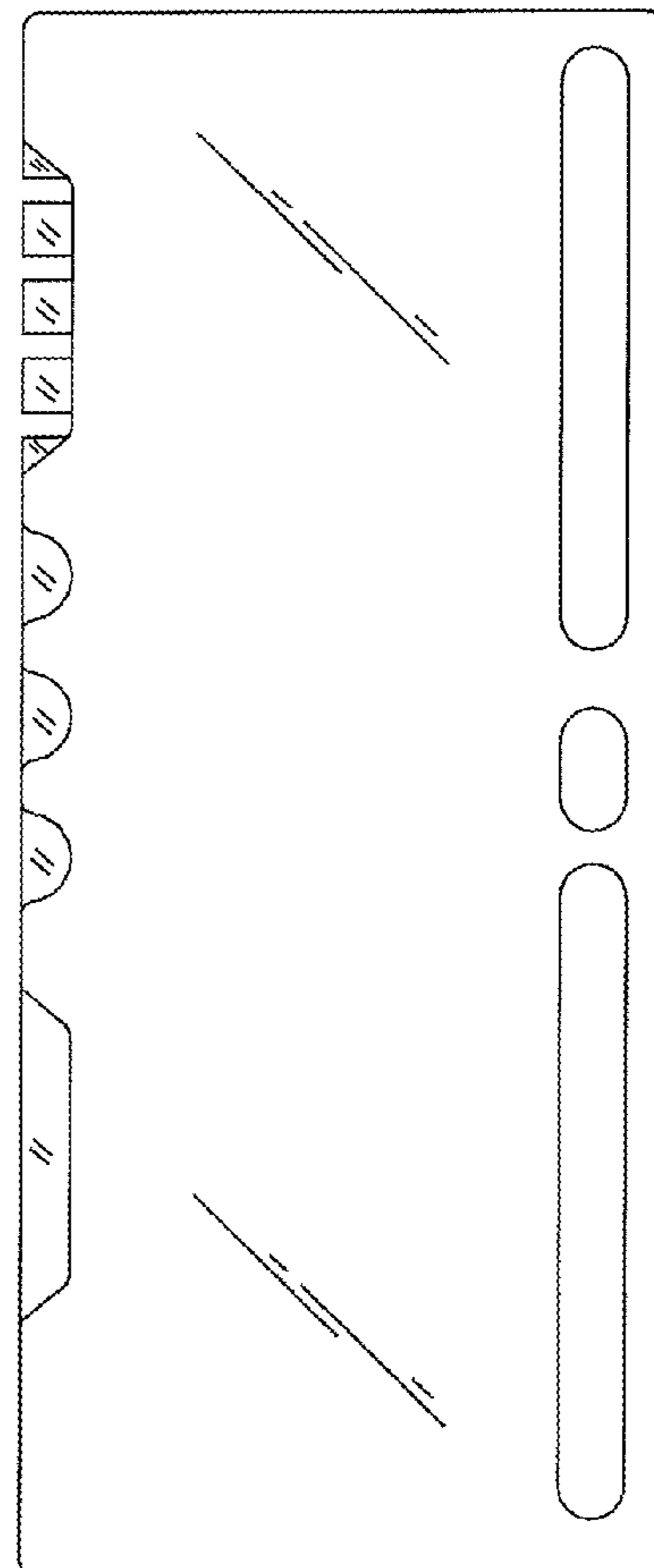


Fig. 2



Fig. 3



Fig. 4

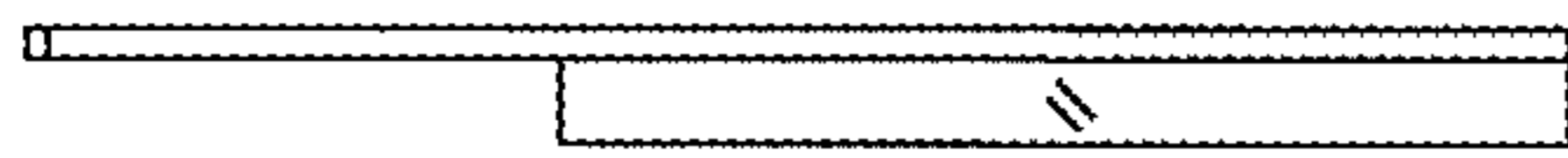


Fig. 5

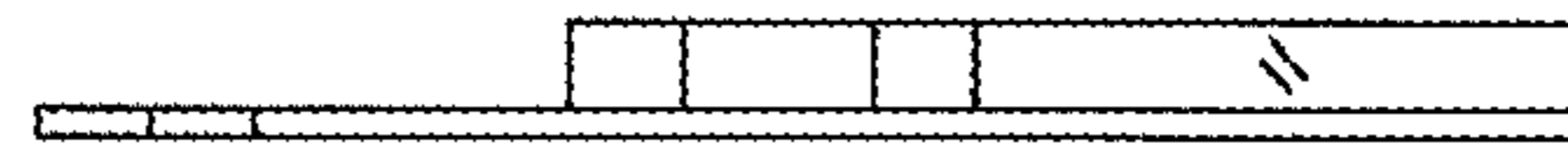


Fig. 6

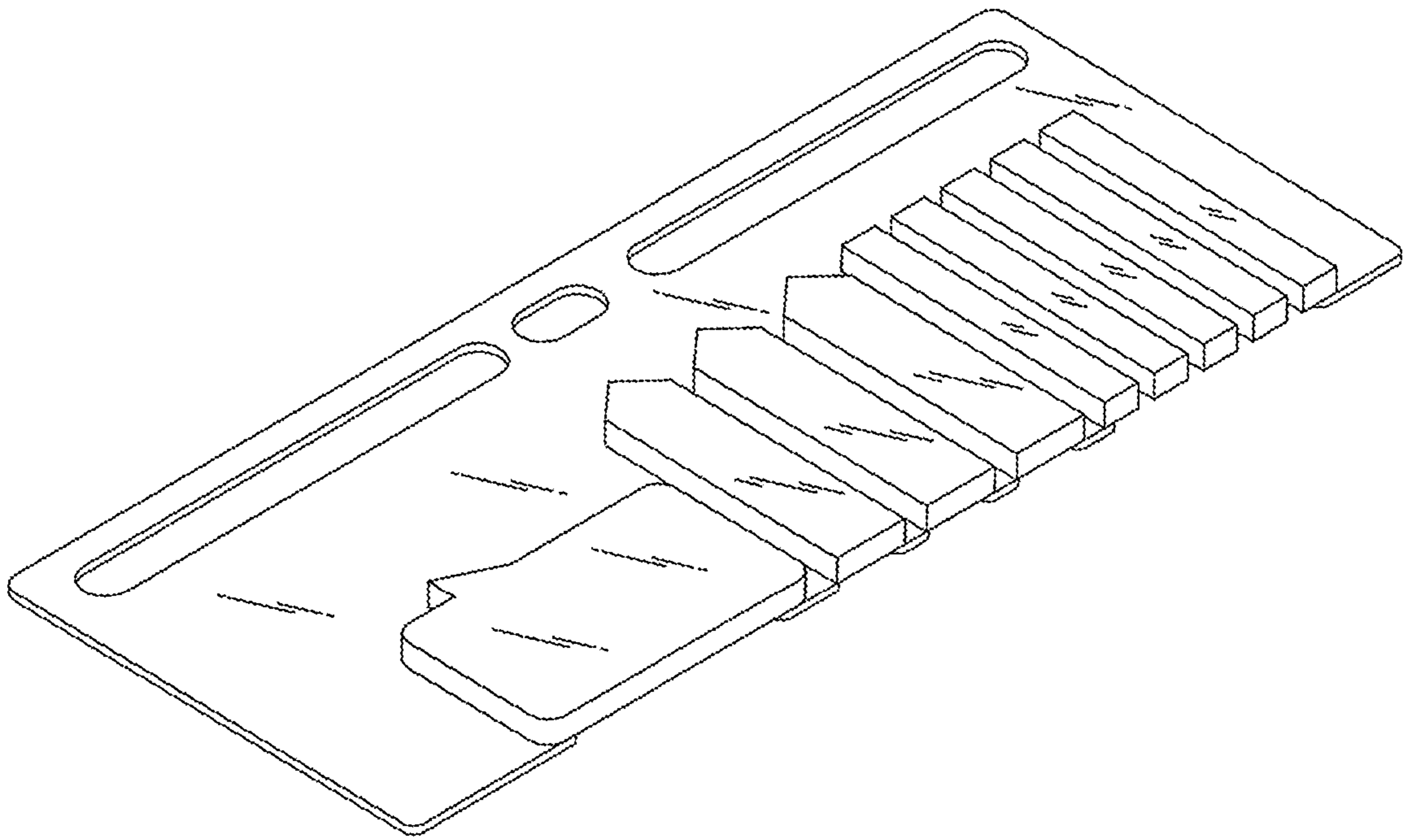


Fig. 7