



US00D641416S

(12) **United States Design Patent**  
**Jour**

(10) **Patent No.:** **US D641,416 S**  
(45) **Date of Patent:** **\*\* Jul. 12, 2011**

(54) **NOTEPAPER HOLDER**

(76) Inventor: **David C. T. Jour**, Taipei (TW)

(\*\*) Term: **14 Years**

(21) Appl. No.: **29/376,043**

(22) Filed: **Sep. 30, 2010**

(51) **LOC (9) Cl.** ..... **19-02**

(52) **U.S. Cl.** ..... **D19/86**

(58) **Field of Classification Search** ..... D6/515,  
D6/518, 519; D9/734; D19/65, 75, 78, 86-92,  
D19/33, 34; 206/39.5, 215, 233, 494, 555;  
221/45, 46, 48, 52, 56, 59, 61, 63; 281/34,  
281/38, 42, 44; 283/65; 402/73

See application file for complete search history.

6,015,166	A *	1/2000	May	.....	281/42
D490,856	S *	6/2004	Passarella	.....	D19/78
D491,606	S *	6/2004	Jour	.....	D19/86
D508,955	S *	8/2005	Jour	.....	D19/86
D519,566	S *	4/2006	Jour	.....	D19/86
D556,829	S *	12/2007	Jour	.....	D19/86
D574,435	S *	8/2008	Jour	.....	D19/86
7,494,027	B2 *	2/2009	O'Leary et al.	.....	221/34
D608,389	S *	1/2010	Bishop et al.	.....	D19/1
7,654,577	B2 *	2/2010	Glosh et al.	.....	281/44
D611,984	S *	3/2010	Ali et al.	.....	D19/1
2006/0175342	A1 *	8/2006	Jour	.....	221/33

\* cited by examiner

*Primary Examiner* — Elizabeth Albert

(74) *Attorney, Agent, or Firm* — Alexander Chen, Esq.

(57) **CLAIM**

An ornamental design for a notepaper holder, as shown and described.

**DESCRIPTION**

FIG. 1 is a front view of a notepaper holder showing my new design;

FIG. 2 is a rear view thereof;

FIG. 3 is a left side view thereof;

FIG. 4 is a right side view thereof;

FIG. 5 is a top plan view thereof;

FIG. 6 is a bottom plan view thereof; and,

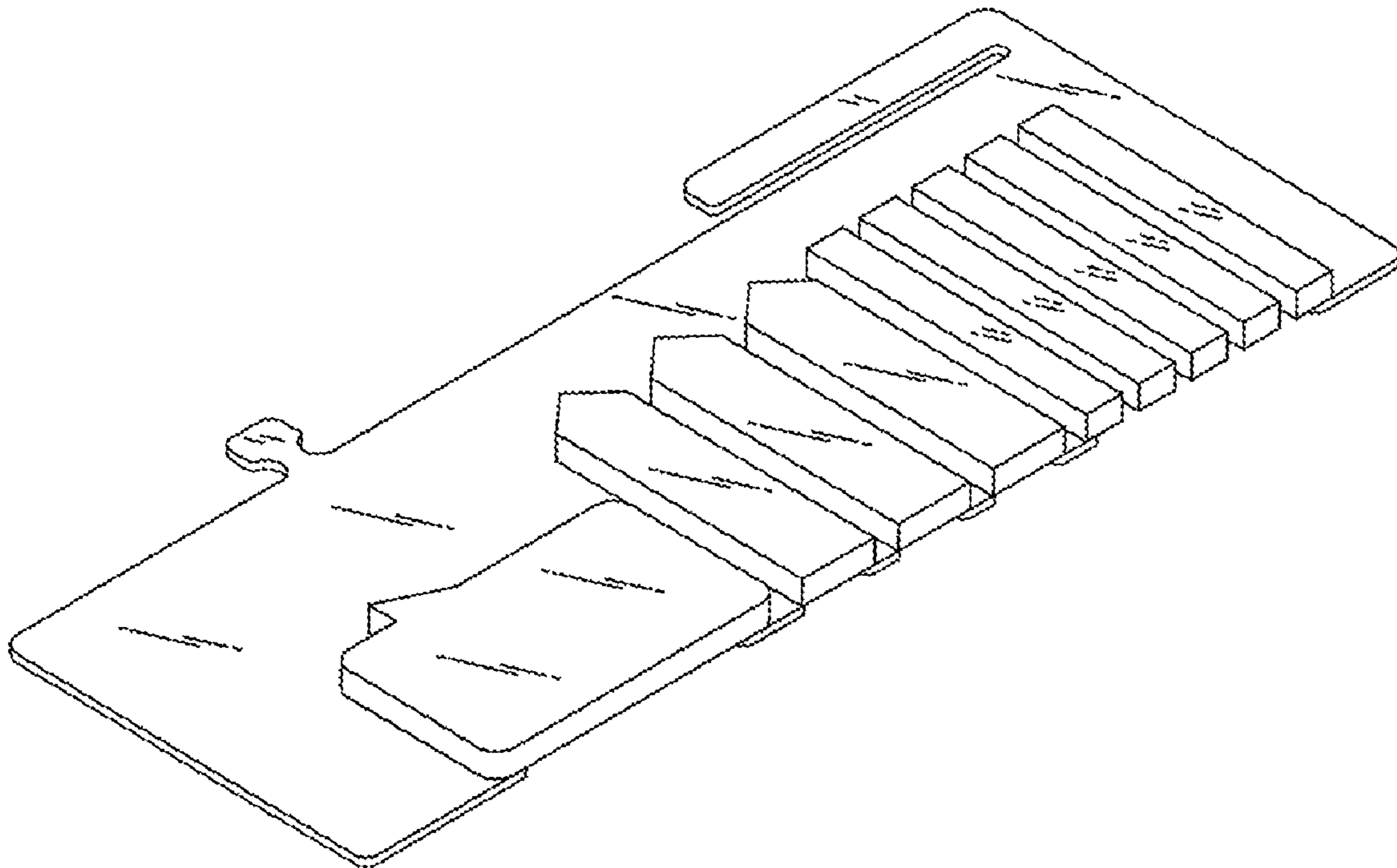
FIG. 7 is a perspective view thereof.

**1 Claim, 4 Drawing Sheets**

(56) **References Cited**

U.S. PATENT DOCUMENTS

D87,734	S *	9/1932	Vredenburgh	.....	D19/26
2,576,783	A *	11/1951	Dewey	.....	40/651
3,583,358	A *	6/1971	Hanson, Jr.	.....	116/235
4,461,497	A *	7/1984	Downey	.....	283/65
5,101,756	A *	4/1992	Strumbos	.....	116/234
D329,457	S *	9/1992	Westover et al.	.....	D19/2
5,755,337	A *	5/1998	Linn	.....	211/13.1
5,772,247	A *	6/1998	Legrand	.....	281/31
5,823,573	A *	10/1998	Chang	.....	281/38



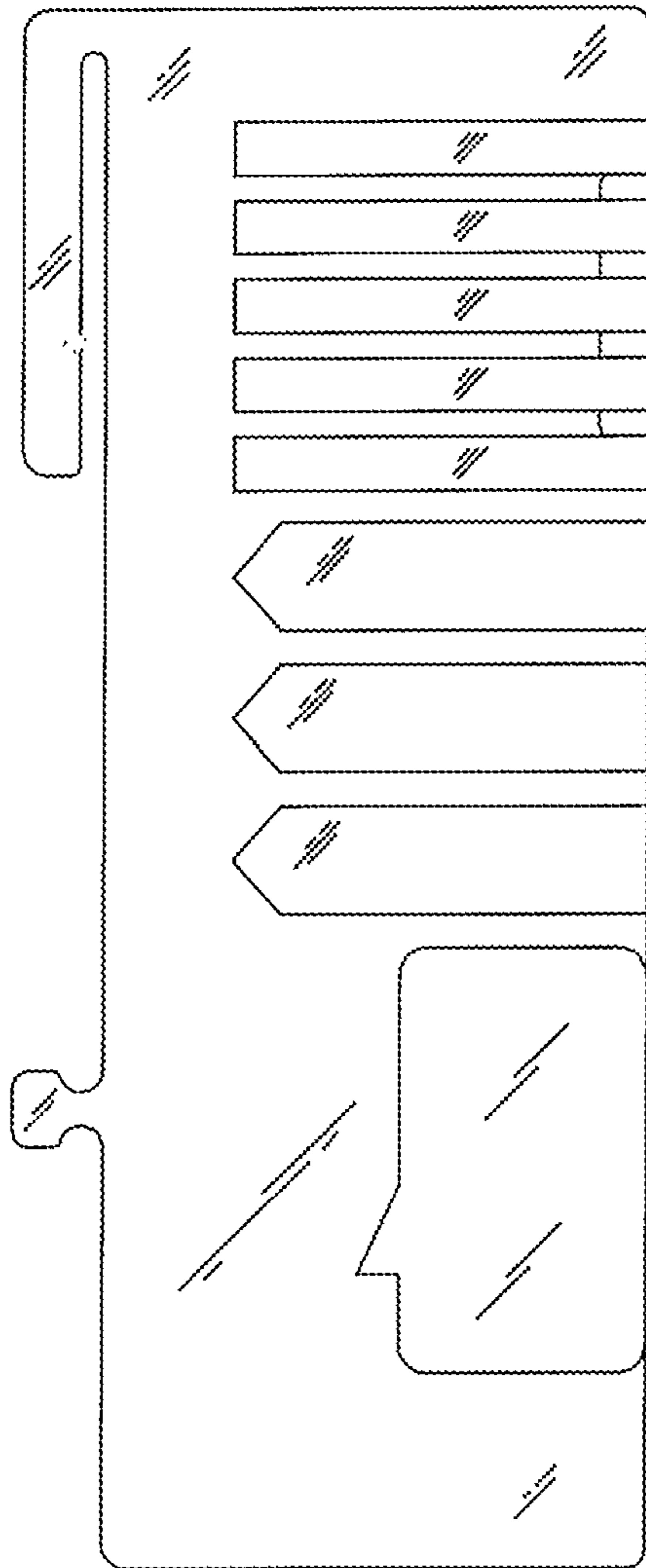


Fig. 1

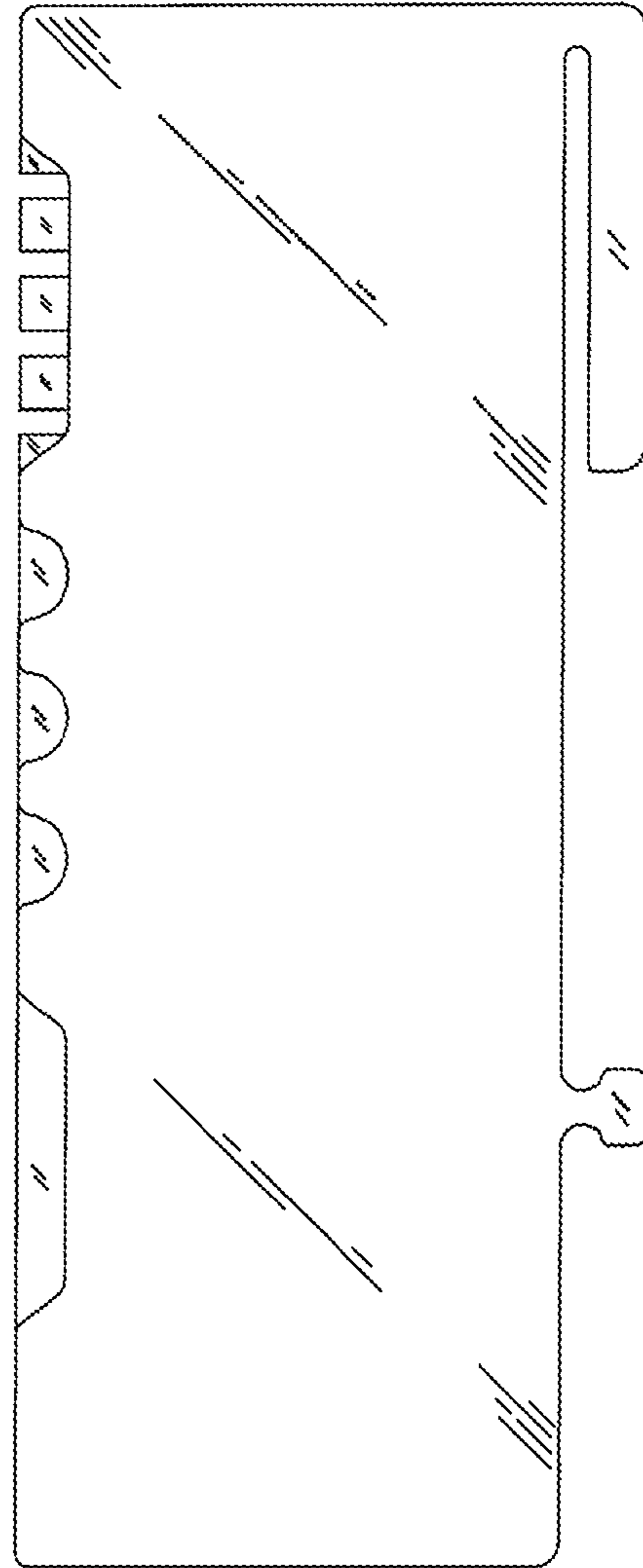


Fig. 2

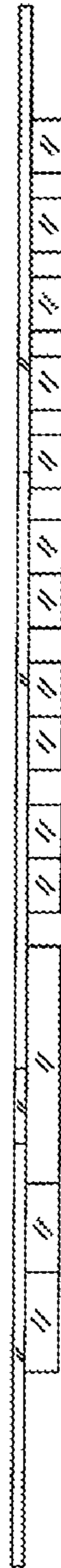


Fig. 3



Fig. 4

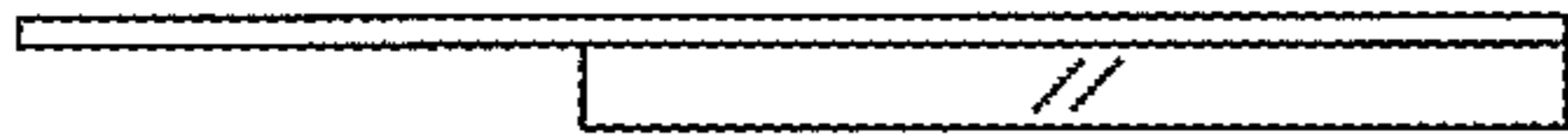


Fig. 5

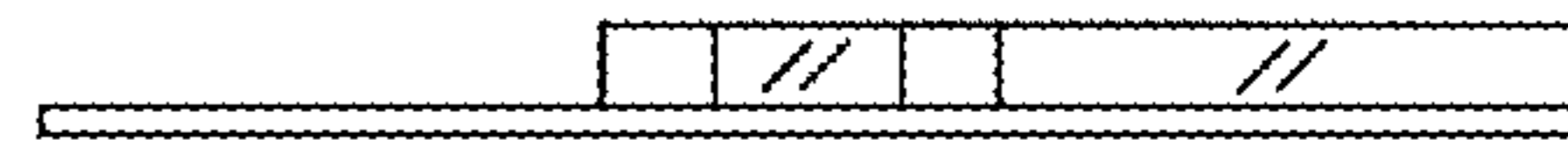


Fig. 6

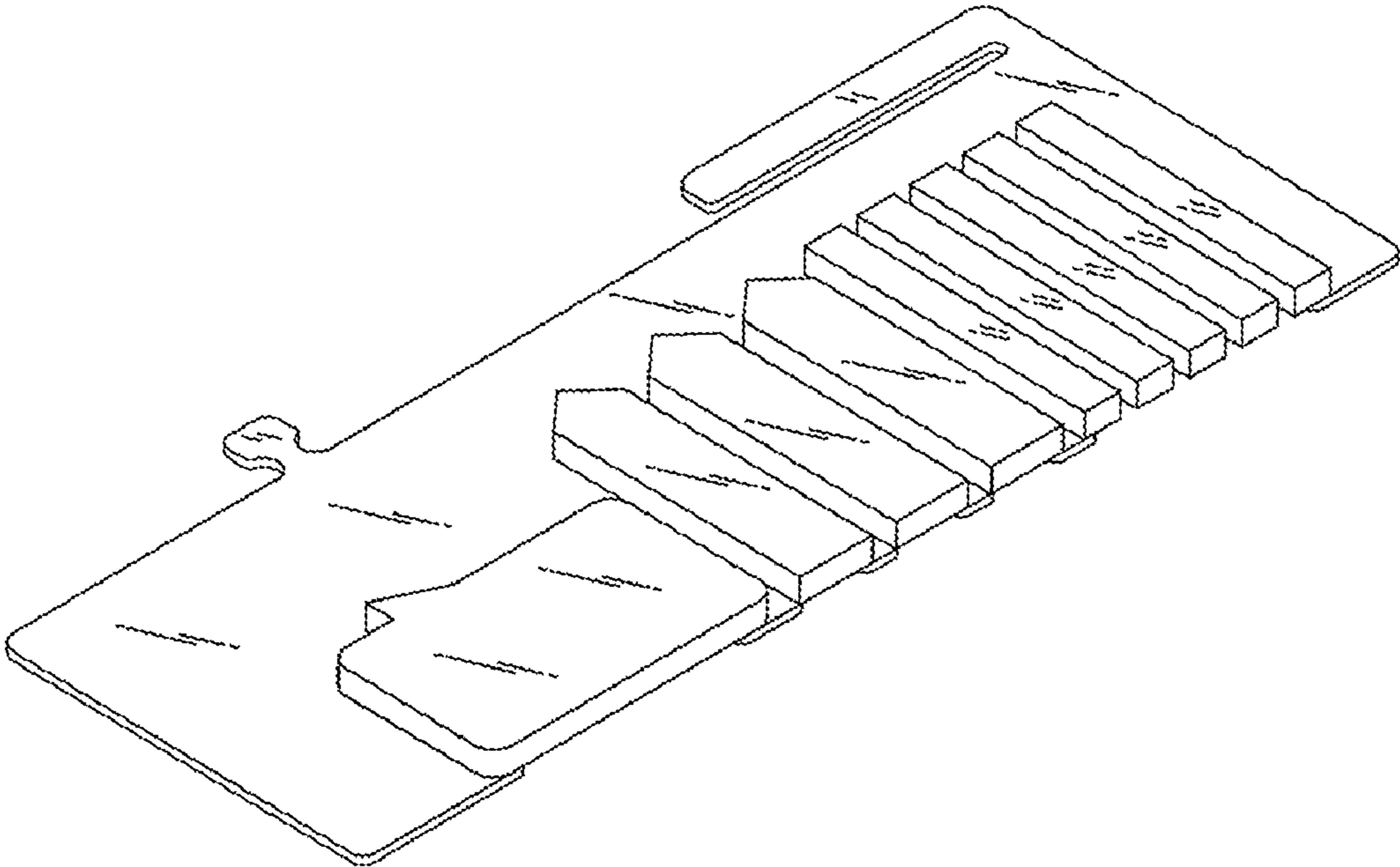


Fig. 7