

US00D641415S

(12) **United States Design Patent**
Moon

(10) **Patent No.:** **US D641,415 S**

(45) **Date of Patent:** **** Jul. 12, 2011**

(54) **CHART HOLDER**

(75) Inventor: **Steven Franklin Moon**, Brentwood, CA (US)

(73) Assignee: **Steve Moon**, Brentwood, CA (US)

(**) Term: **14 Years**

(21) Appl. No.: **29/370,207**

(22) Filed: **Jun. 15, 2010**

(51) **LOC (9) Cl.** **19-02**

(52) **U.S. Cl.** **D19/86**

(58) **Field of Classification Search** D3/303;
D6/407, 449, 475, 512, 553, 626; D19/33,
D19/52, 75, 77, 78, 86, 87, 90, 91; 206/215,
206/425, 449; 211/10, 11, 45, 50, 55; D24/231;
40/642.02, 643, 654.01, 661, 661.01; D20/10,
D20/40, 42, 43

See application file for complete search history.

(56) **References Cited**

U.S. PATENT DOCUMENTS

1,583,626	A *	5/1926	Swarts	40/643
2,104,366	A *	1/1938	Gossett	40/611.03
2,691,837	A *	10/1954	Gove	40/643
2,731,941	A	1/1956	Anderson	
3,289,676	A	12/1966	Saunders	
3,304,907	A	2/1967	Block	
3,459,361	A *	8/1969	Matton	383/40
3,973,674	A *	8/1976	Postlethwaite	206/215
4,155,645	A *	5/1979	Miller	355/75
D285,745	S *	9/1986	Friedman	D6/629
4,991,334	A *	2/1991	Amundsen	40/568
D327,095	S	6/1992	Meyer	
D329,943	S *	10/1992	Laszlo	D6/626
5,224,600	A *	7/1993	Neugebauer	206/449
D347,994	S *	6/1994	Hammond	D9/703
5,339,547	A *	8/1994	Fogel	40/124.01
5,358,114	A *	10/1994	Neugebauer	206/449
D377,434	S *	1/1997	Hammond	D6/626
5,630,509	A *	5/1997	Su	206/425

D384,108	S *	9/1997	Rinicella et al.	D20/42
D388,468	S *	12/1997	Rife	D20/43
D393,004	S	3/1998	Foster	
5,943,805	A *	8/1999	Huang et al.	40/654.01
D415,796	S *	10/1999	Habermehl	D19/52
5,975,302	A *	11/1999	Young	206/449
6,149,003	A *	11/2000	Day	206/449
6,155,410	A *	12/2000	Davis	206/39.5
D441,589	S *	5/2001	Hartstone	D6/626
6,224,108	B1 *	5/2001	Klure	283/74
6,349,829	B1 *	2/2002	Matheis et al.	206/449
D477,135	S *	7/2003	Fu	D3/247
6,666,609	B2	12/2003	Fanning	
6,782,998	B2 *	8/2004	Koren	206/39
D503,025	S *	3/2005	Taylor	D99/34
D520,799	S *	5/2006	Breuner	D6/634
D527,052	S	8/2006	Wolff et al.	
D527,911	S	9/2006	Denichaud et al.	
7,155,854	B2 *	1/2007	Dickinson	40/775
7,275,683	B2 *	10/2007	Lazarowicz et al.	235/375
D555,406	S *	11/2007	Burt	D6/567
D580,992	S *	11/2008	Garfinkle	D20/43
D582,192	S *	12/2008	Pan	D6/626
7,546,860	B1 *	6/2009	Mehdizadeh	150/138
D614,240	S *	4/2010	Garfinkle et al.	D20/44
7,905,036	B2 *	3/2011	Howell	40/1.5

* cited by examiner

Primary Examiner — Elizabeth Albert

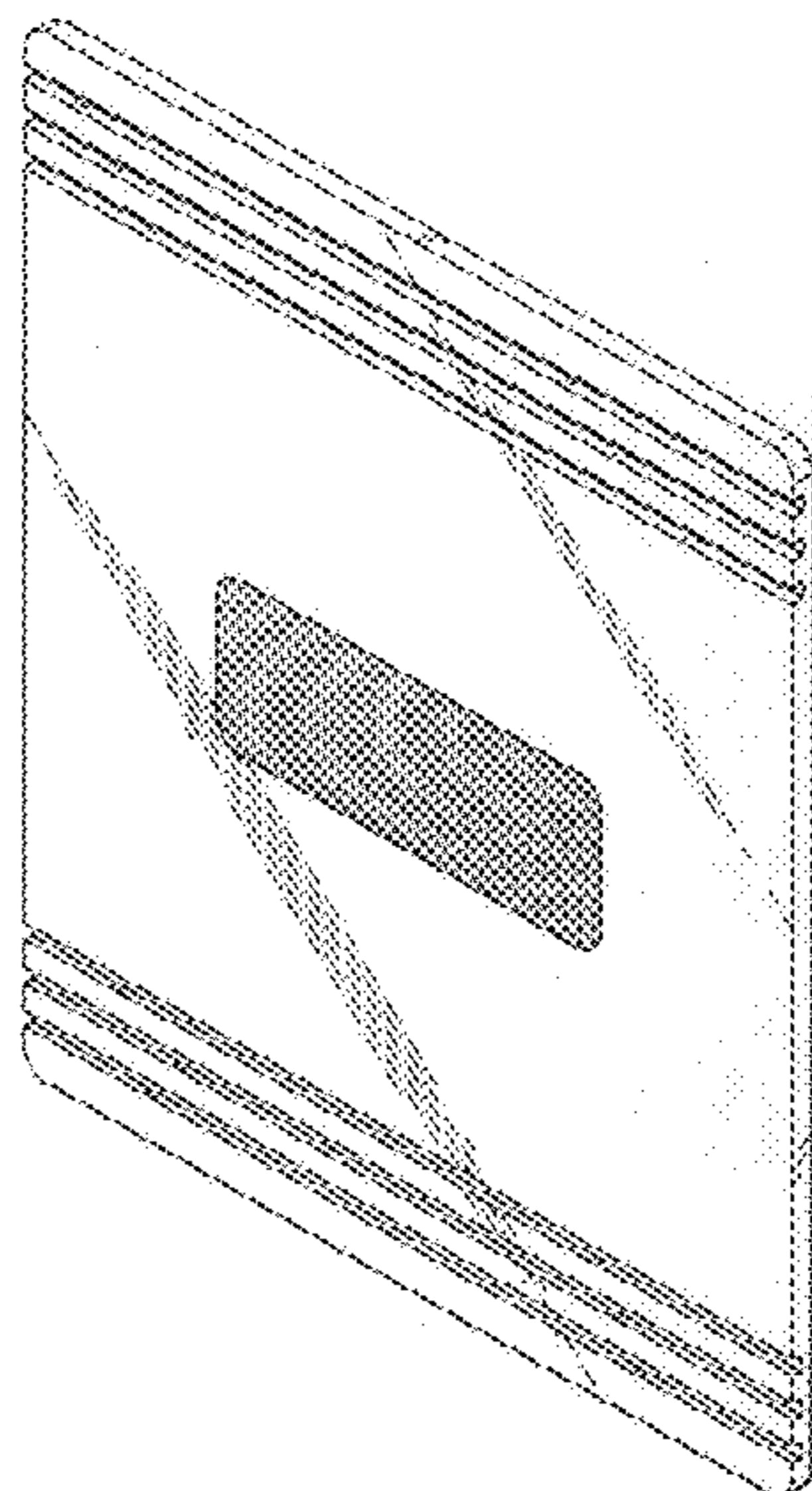
(57) **CLAIM**

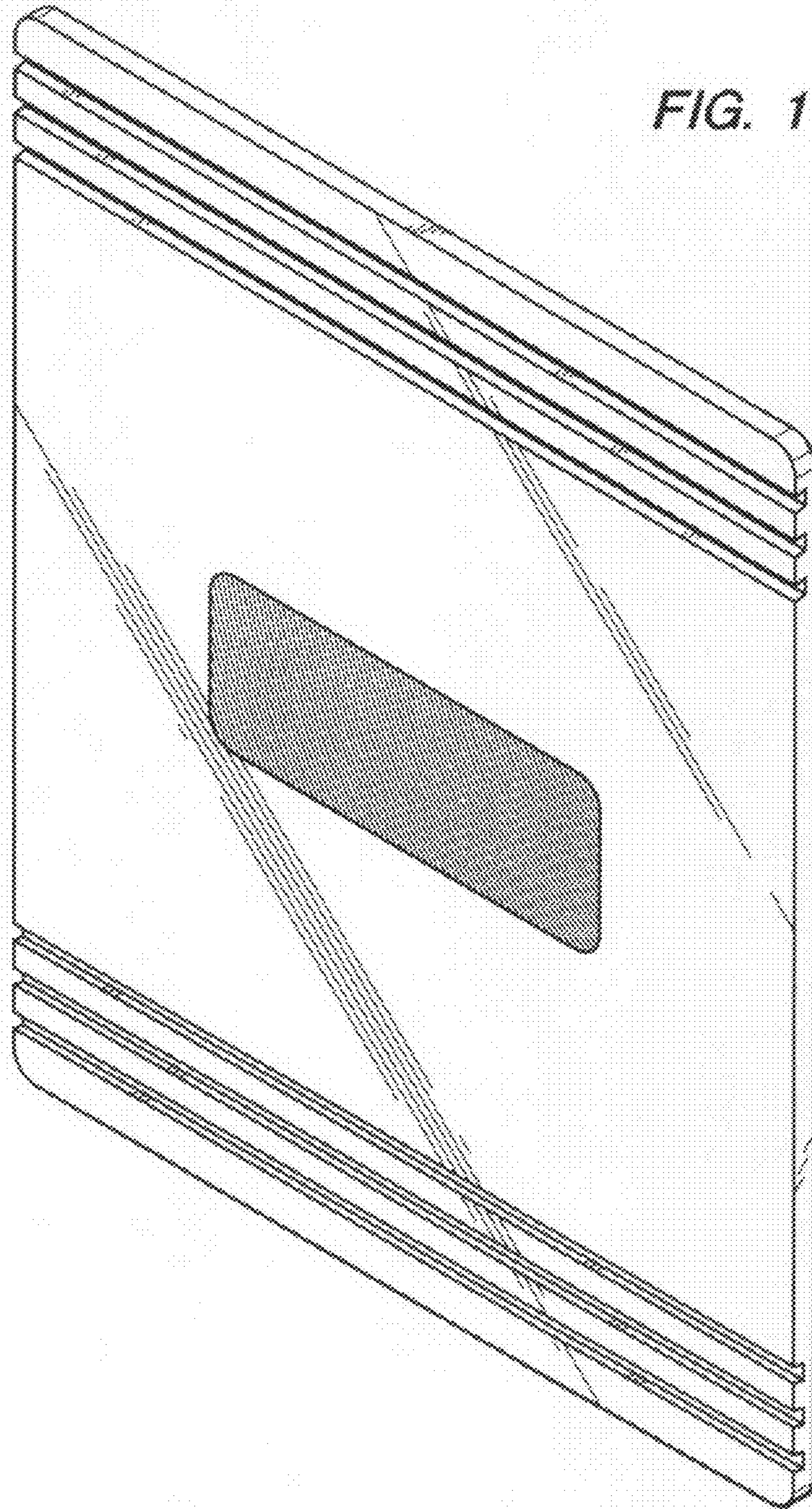
The ornamental design for a chart holder, as shown and described.

DESCRIPTION

FIG. 1 is a perspective view of the chart holder.
FIG. 2 is a top view of the chart holder.
FIG. 3 is a bottom view of the chart holder.
FIG. 4 is a left side view of the chart holder.
FIG. 5 is a right side view of the chart holder.
FIG. 6 is a front view of the chart holder; and,
FIG. 7 is a back view of the chart holder.

1 Claim, 4 Drawing Sheets





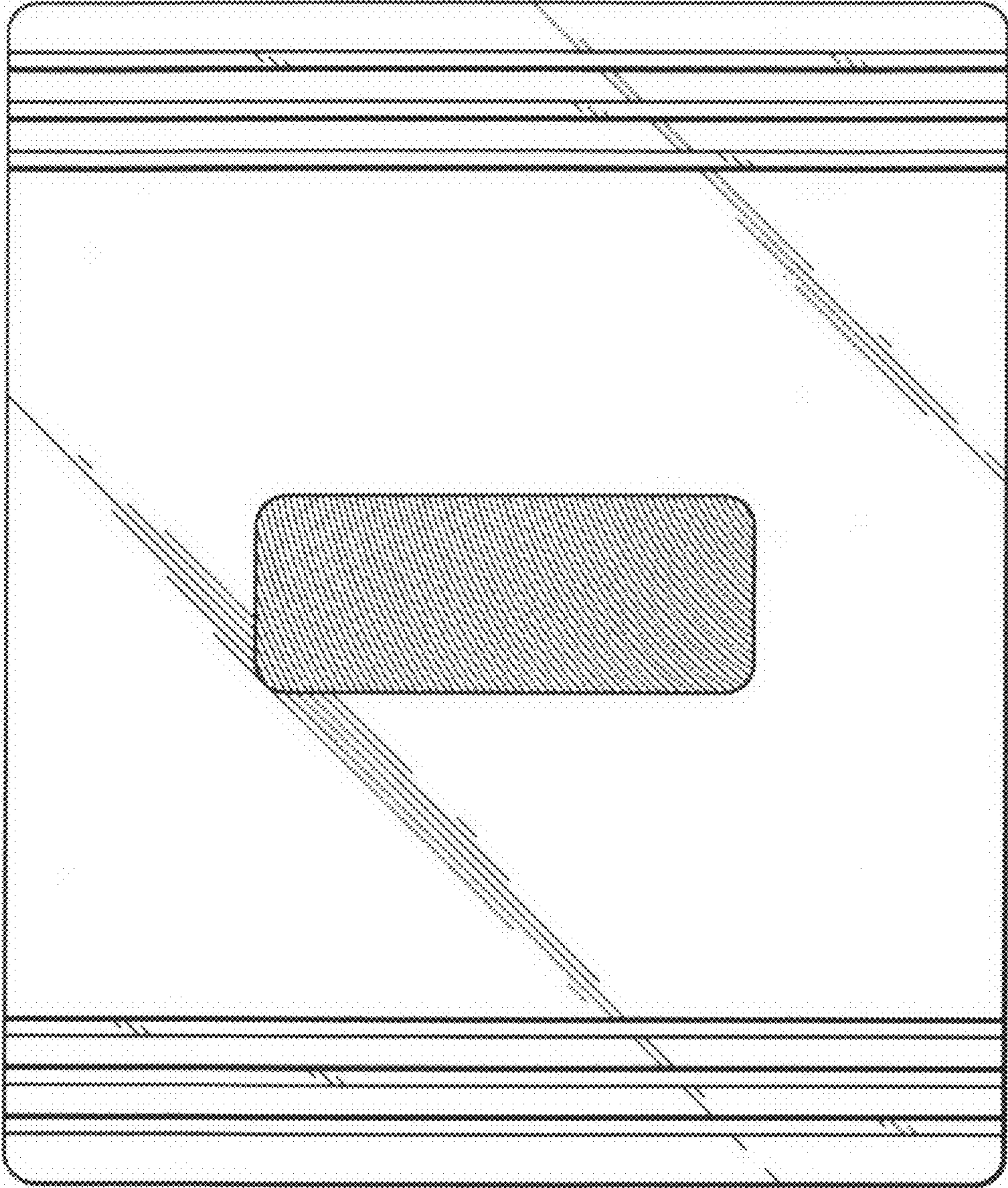


FIG. 2

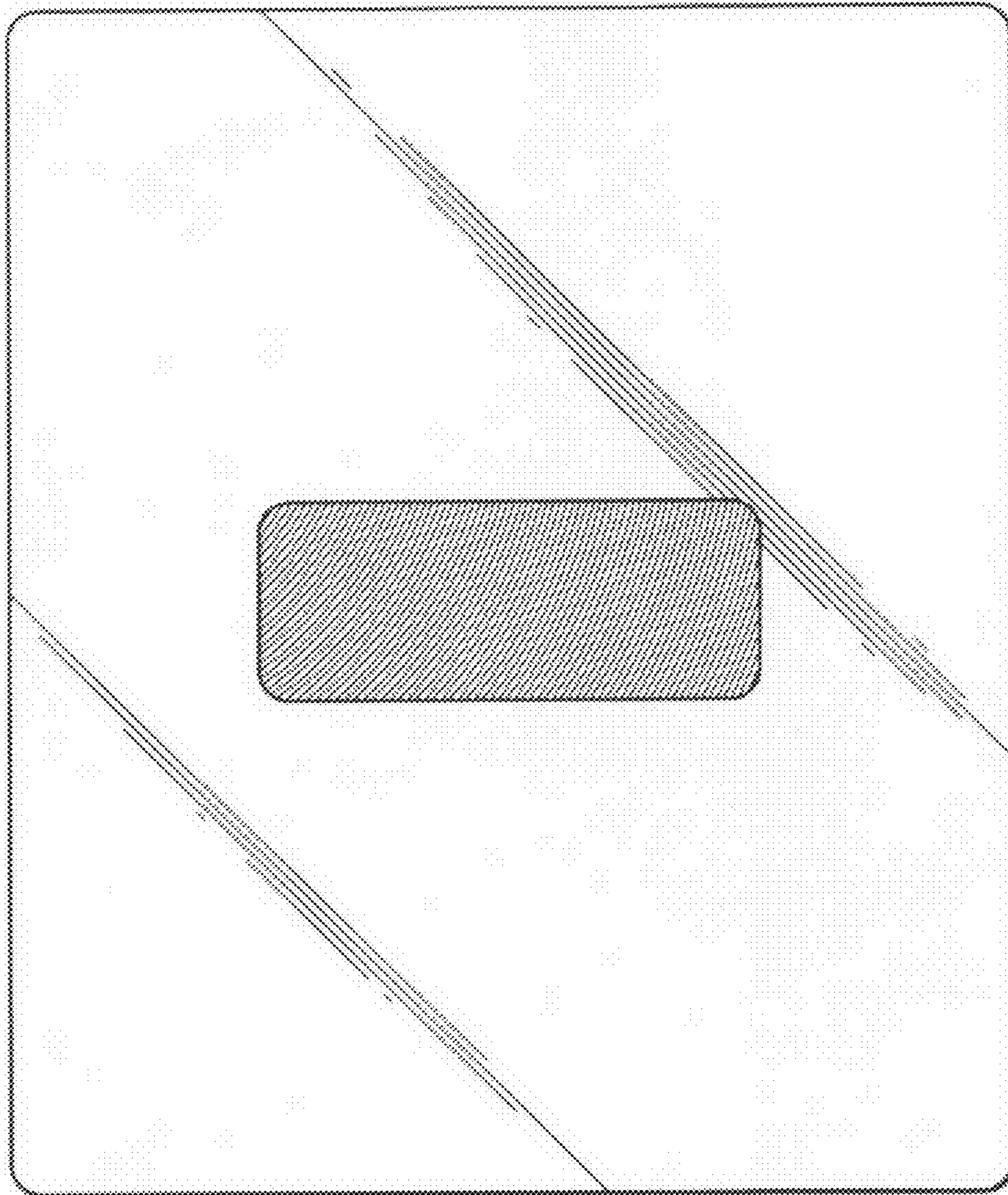


FIG. 3



FIG. 4



FIG. 5



FIG. 6



FIG. 7