



US00D641409S

(12) **United States Design Patent**
Wang et al.

(10) **Patent No.:** **US D641,409 S**
(45) **Date of Patent:** **** Jul. 12, 2011**

- (54) **PEN**
- (75) Inventors: **Tao Wang**, Ningbo (CN); **Wenyan Lang**, Ningbo (CN)
- (73) Assignee: **Beifa Group Co., Ltd.**, Ningbo (CN)
- (**) Term: **14 Years**
- (21) Appl. No.: **29/365,896**
- (22) Filed: **Jul. 16, 2010**
- (30) **Foreign Application Priority Data**
Jan. 17, 2010 (CN) 2010 3 0001980
- (51) **LOC (9) Cl.** **19-06**
- (52) **U.S. Cl.** **D19/50**
- (58) **Field of Classification Search** D19/35,
D19/36, 41-51, 54-58; 24/11 F, 11 P, 11 R;
401/52, 99, 100, 104-109, 192, 195, 196
See application file for complete search history.

- D368,738 S * 4/1996 Osada et al. D19/51
- D395,674 S 6/1998 Boix Gacia
- D404,426 S 1/1999 Takanashi
- D418,541 S 1/2000 Mayer
- D430,209 S 8/2000 Rommel
- D441,398 S * 5/2001 Owen et al. D19/49
- D444,498 S 7/2001 Izushima
- D450,768 S 11/2001 Keda
- D452,526 S 12/2001 Nishida
- D454,589 S 3/2002 Beneyto
- D461,501 S 8/2002 Nishida
- D463,822 S 10/2002 Keda
- D469,467 S 1/2003 Briggl
- D471,587 S * 3/2003 Hautzinger D19/43
- D473,263 S * 4/2003 Hautzinger D19/57
- D475,406 S 6/2003 Cetera
- D479,856 S * 9/2003 Hui D19/43
- D482,397 S * 11/2003 Hui D19/43
- D484,537 S 12/2003 Arita et al.
- D489,403 S * 5/2004 Lin D19/43
- D491,983 S 6/2004 Izushima
- D500,338 S * 12/2004 Kommer D19/43

(Continued)

Primary Examiner — Elizabeth Albert
(74) *Attorney, Agent, or Firm* — Christensen O'Connor Johnson Kindness PLLC

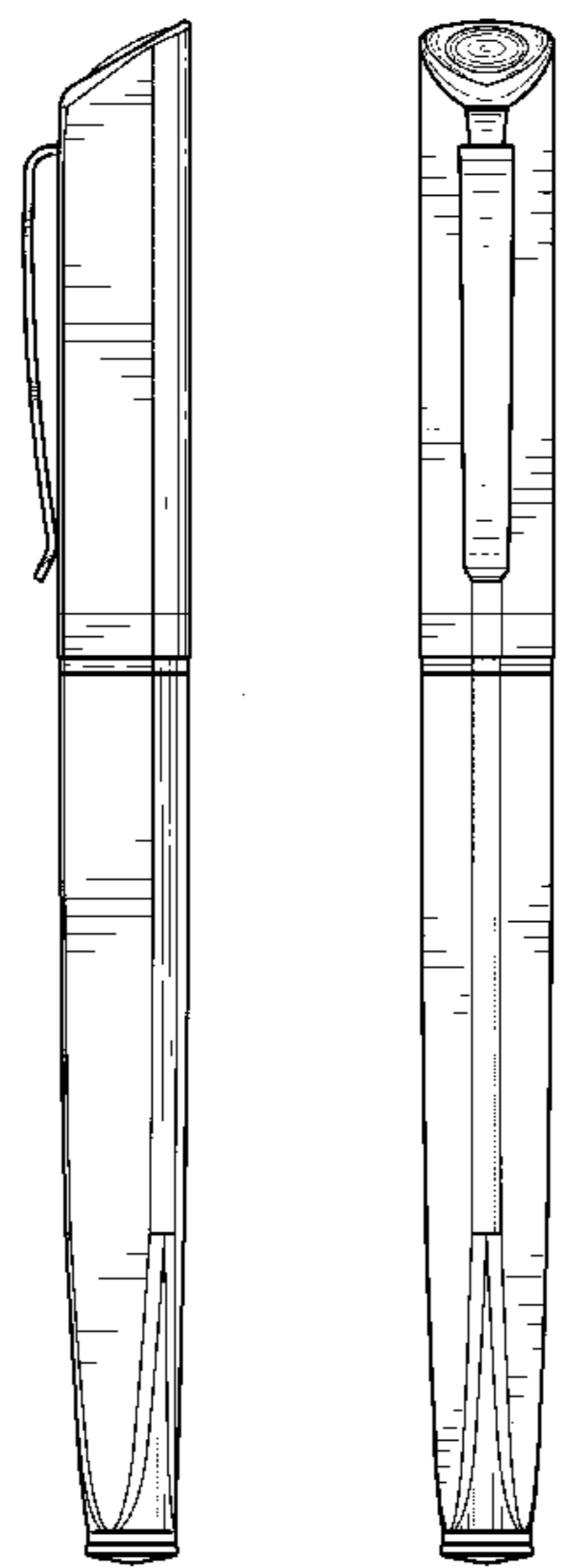
- (56) **References Cited**
U.S. PATENT DOCUMENTS
D83,668 S 3/1931 Sherbinin
D155,532 S 10/1949 Morrison
2,608,953 A * 9/1952 Kollsman 401/35
D177,369 S * 4/1956 Ensign D19/49
D209,550 S 12/1967 Arnone
D213,341 S 2/1969 Fields
D223,688 S 5/1972 Schnur
D265,741 S * 8/1982 Funahashi D19/49
D319,844 S 9/1991 Grötsch et al.
D319,845 S 9/1991 Grötsch et al.
D323,186 S 1/1992 Clark
D339,822 S 9/1993 Möck et al.
D342,089 S 12/1993 Anavil
D342,090 S 12/1993 Anavil
D342,279 S 12/1993 Anavil
D354,985 S 1/1995 Hong
D367,673 S * 3/1996 Compte D19/51

(57) **CLAIM**
The ornamental design for a pen, as shown and described.

DESCRIPTION

FIG. 1 is a front right perspective view of a pen showing our new design;
FIG. 2 is a right side elevation view thereof, with the left side elevation view being a mirror image of the right side elevation view;
FIG. 3 is a front elevation view thereof;
FIG. 4 is a rear elevation view thereof;
FIG. 5 is an enlarged top plan view thereof; and,
FIG. 6 is an enlarged bottom plan view thereof.

1 Claim, 3 Drawing Sheets



US D641,409 S

Page 2

U.S. PATENT DOCUMENTS

D507,299 S	7/2005	Qiu	
D508,264 S	8/2005	Losel	
D509,850 S	9/2005	Bhavnani	
D510,598 S	10/2005	Qiu	
D513,767 S	1/2006	Bhavnani	
D530,748 S	10/2006	Kent	
D533,592 S	12/2006	Cheng	
D541,344 S	4/2007	Hamilton	
D541,862 S	5/2007	Koch	
D546,387 S	7/2007	Qiu	
D548,280 S *	8/2007	Shimizu	D19/48
D553,679 S *	10/2007	Tien	D19/48
D559,315 S	1/2008	Qiu	
D559,909 S	1/2008	Qiu	
D562,395 S	2/2008	Qiu	
D564,588 S	3/2008	Daida	
D573,185 S *	7/2008	Qiu et al.	D19/51
D579,977 S	11/2008	Fei	
D580,489 S *	11/2008	Ma	D19/36
D580,493 S	11/2008	Fei	
D583,866 S	12/2008	Eddington	
D586,853 S *	2/2009	Tan	D19/49
D589,556 S *	3/2009	Keda	D19/45
D591,350 S	4/2009	Beyer	
D591,793 S	5/2009	Booker	
D601,190 S	9/2009	Liu	
D601,196 S	9/2009	Zhang	
D607,933 S *	1/2010	Zhang	D19/48
D608,392 S	1/2010	Shibata	
D610,615 S	2/2010	Li	
D611,539 S *	3/2010	Zhang	D19/51
D616,935 S	6/2010	Zhang	
D628,636 S *	12/2010	Wang	D19/48
D628,640 S *	12/2010	Wang	D19/50
D628,641 S *	12/2010	Zhang	D19/50
D628,646 S *	12/2010	Zhano	D19/51
D632,333 S *	2/2011	Zhang	D19/50

* cited by examiner

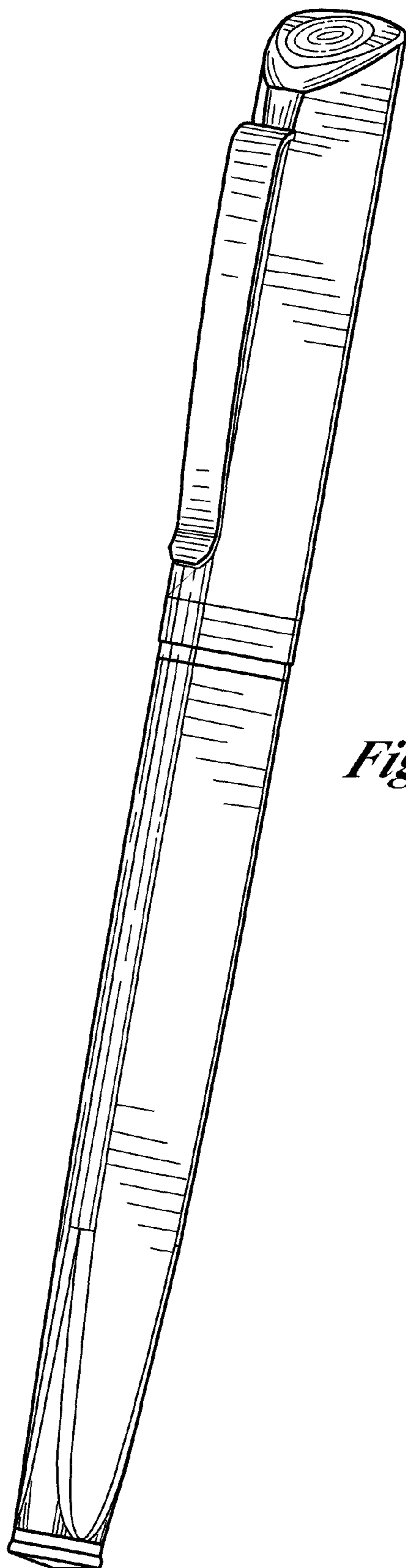


Fig. 1.

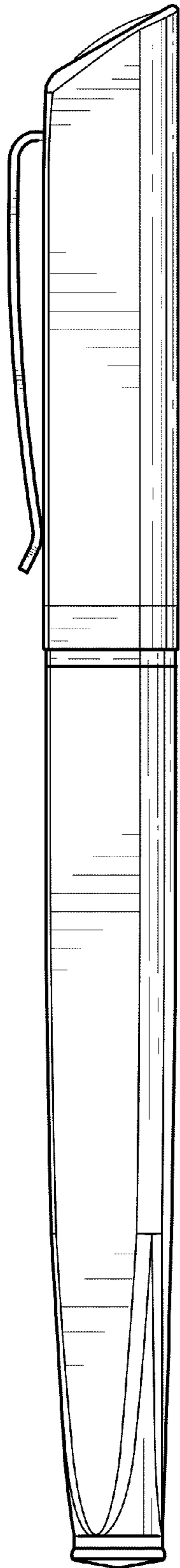


Fig. 2.

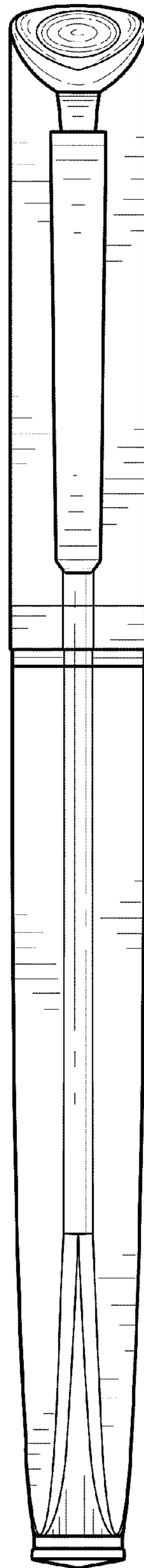


Fig. 3.

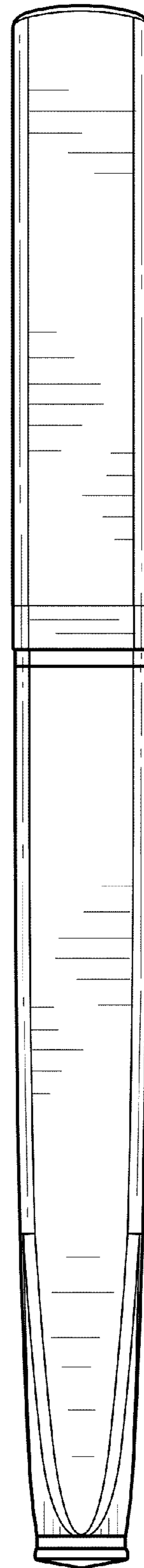


Fig. 4.

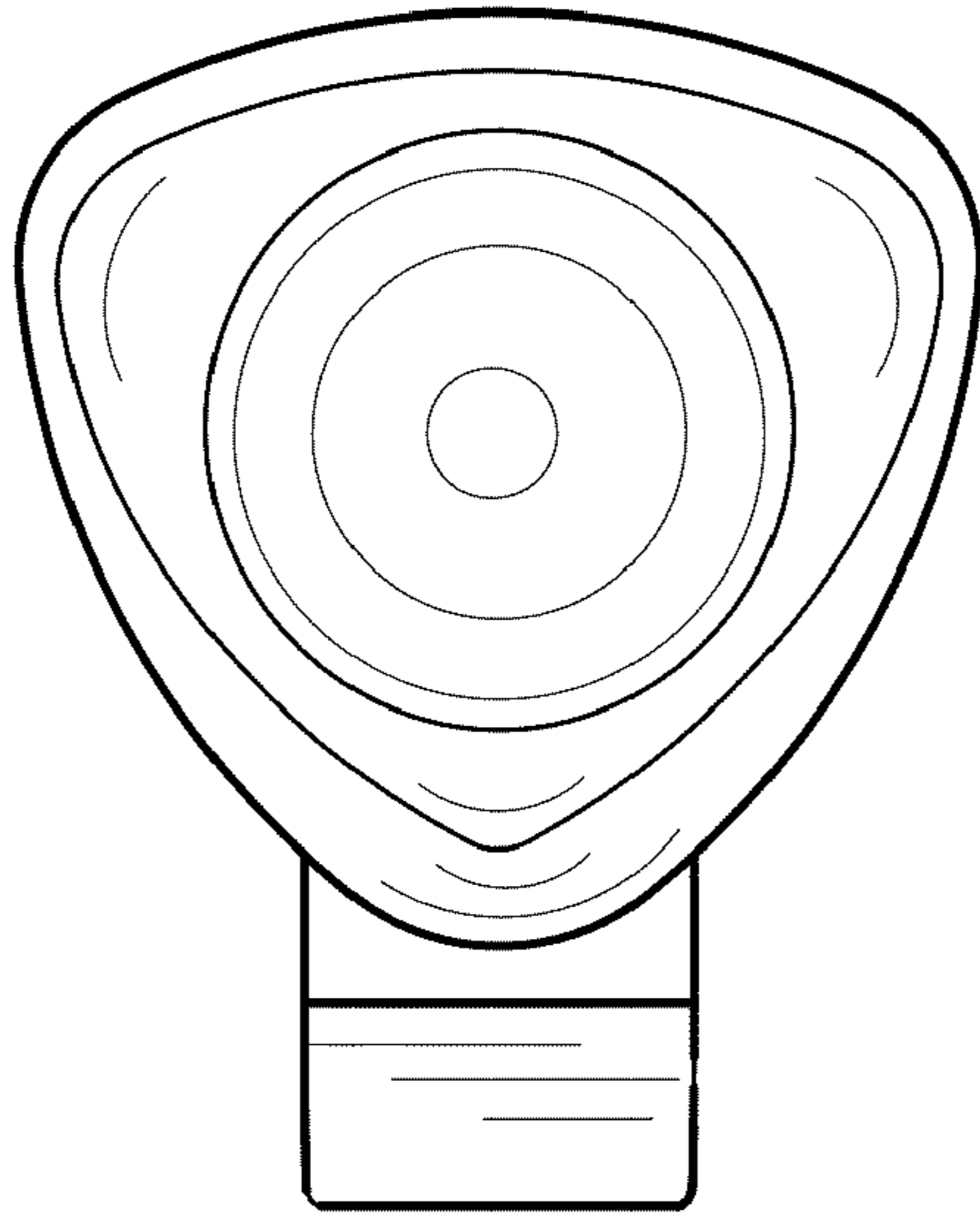


Fig. 5.

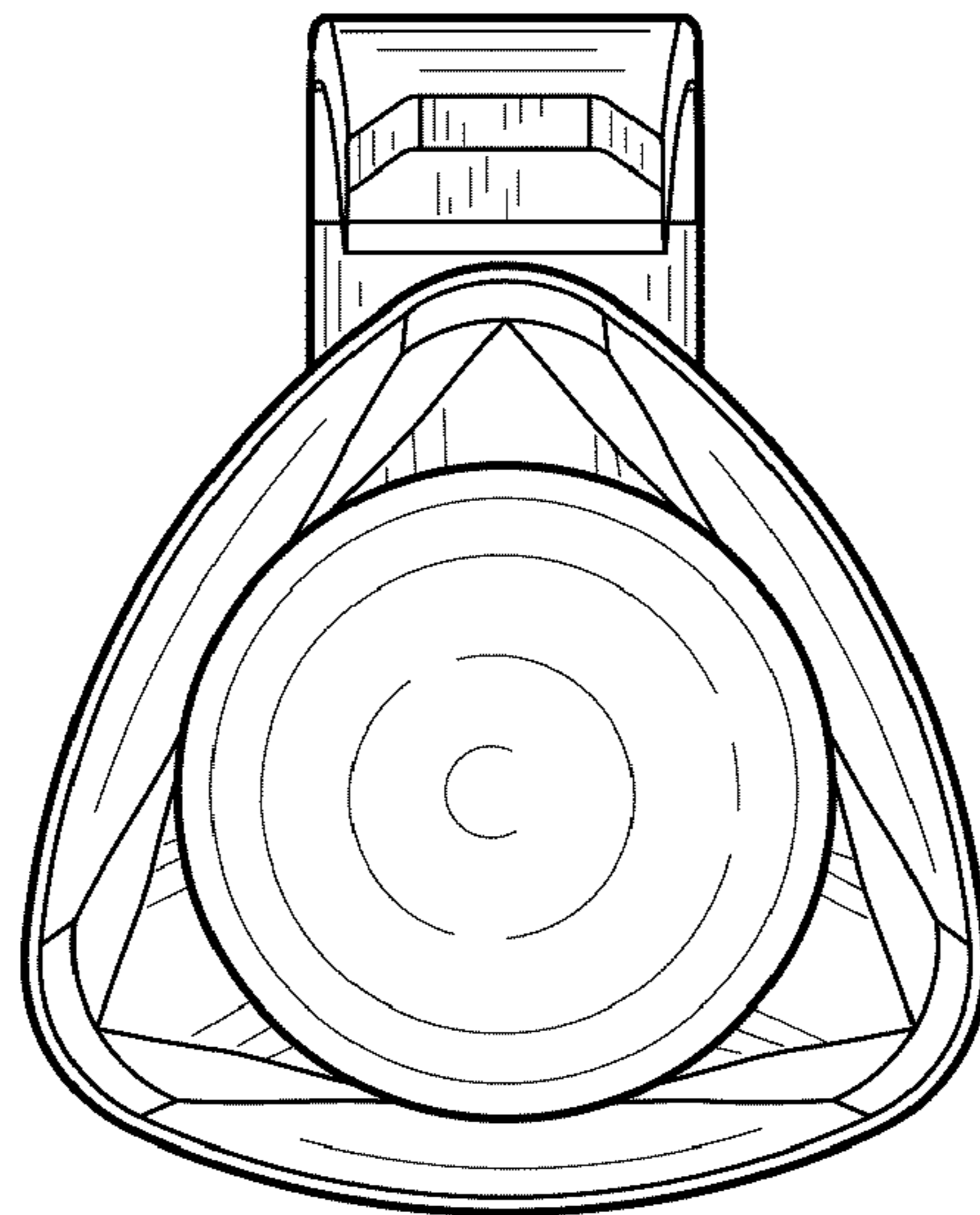


Fig. 6.