



US00D641407S

(12) **United States Design Patent**
Li

(10) **Patent No.:** **US D641,407 S**
(45) **Date of Patent:** **** Jul. 12, 2011**

(54) **PEN**
(75) Inventor: **Bin Li, Ningbo (CN)**
(73) Assignee: **Beifa Group Co., Ltd., Ningbo (CN)**
(**) Term: **14 Years**
(21) Appl. No.: **29/363,162**
(22) Filed: **Jun. 4, 2010**

D485,297 S 1/2004 Reda
D488,506 S 4/2004 Mandel
D489,403 S 5/2004 Lin
D490,107 S 5/2004 Wong
D490,108 S 5/2004 Moon
D490,465 S 5/2004 Qiu
D492,349 S 6/2004 Qiu
D497,038 S 10/2004 Tsai
D499,139 S 11/2004 Oka

(Continued)

(30) **Foreign Application Priority Data**

Dec. 5, 2009 (CN) 2009 3 0384401

(51) **LOC (9) Cl.** **19-06**
(52) **U.S. Cl.** **D19/50**
(58) **Field of Classification Search** D19/35,
D19/36, 41-51, 54-58; 24/11 F, 11 P, 11 R;
401/52, 99, 100, 104-109, 192, 195, 196
See application file for complete search history.

(56) **References Cited**

U.S. PATENT DOCUMENTS

D81,435 S 6/1930 Coby
D171,093 S * 12/1953 Lovejoy D19/57
D215,626 S 10/1969 Jonkers
D223,688 S 5/1972 Schnur
D304,601 S 11/1989 Alskog
D342,089 S 12/1993 Anavil
D342,090 S 12/1993 Anavil
D342,279 S 12/1993 Anavil
D382,369 S 8/1997 Yang
D407,114 S 3/1999 Sakuno
D441,017 S 4/2001 Gault
D441,398 S 5/2001 Owen
D450,889 S 11/2001 Chang
D465,238 S * 11/2002 Qiu D19/50
D478,125 S * 8/2003 Chen D19/50
D480,756 S 10/2003 Hwang

FOREIGN PATENT DOCUMENTS

EM 000845060-0005 12/2007

OTHER PUBLICATIONS

Guo, Y., "Pen," U.S. Appl. No. 29/364,901, filed Jun. 30, 2010.

(Continued)

Primary Examiner — Elizabeth Albert

(74) *Attorney, Agent, or Firm* — Christensen O'Connor Johnson Kindness PLLC

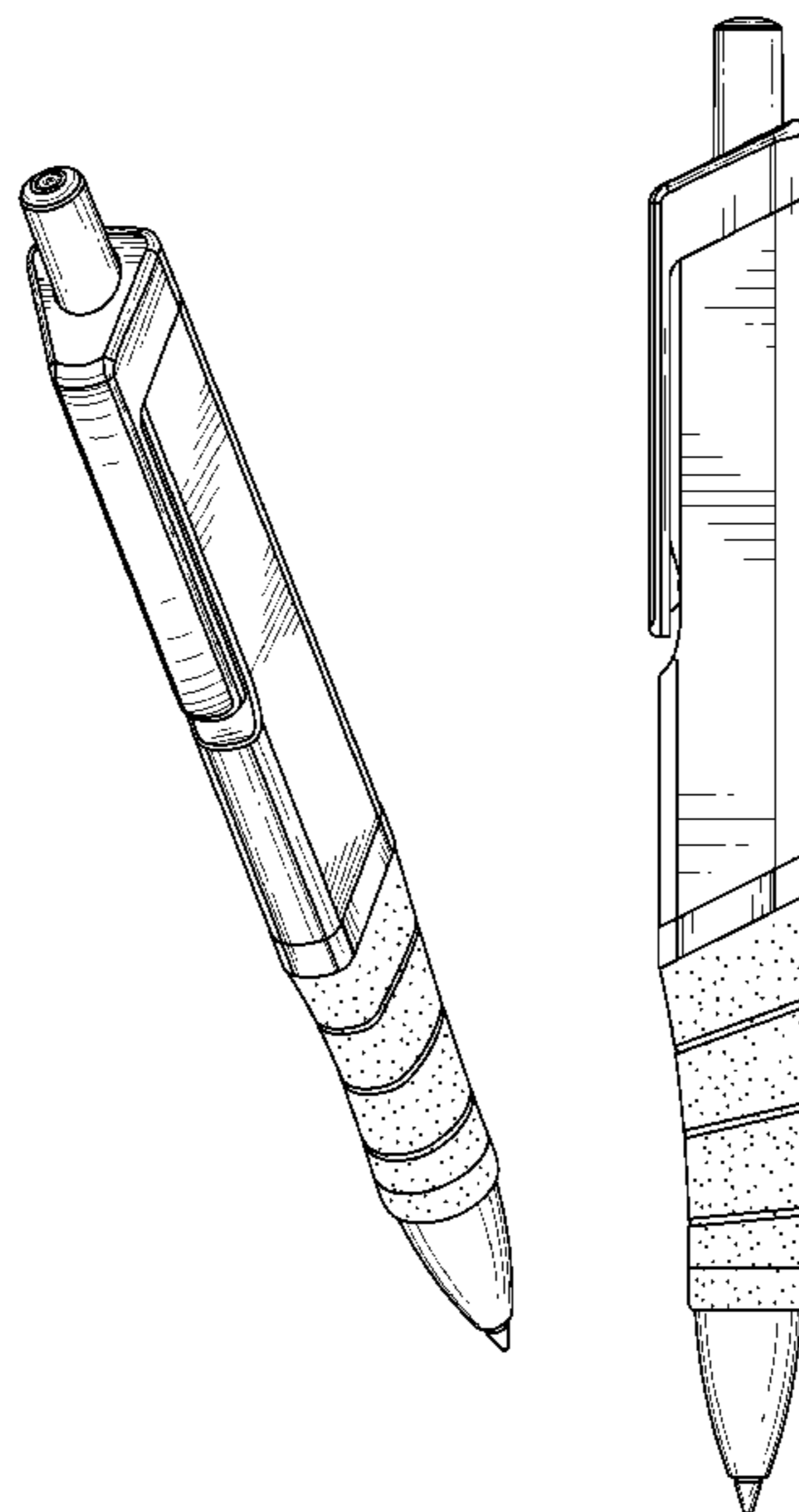
(57) **CLAIM**

The ornamental design for a pen, as shown and described.

DESCRIPTION

FIG. 1 is an upper front right perspective view of a pen showing my new design;
FIG. 2 is a right side elevation view thereof, with the left side elevation view being a mirror image of the right side elevation view;
FIG. 3 is a front elevation view thereof;
FIG. 4 is a rear elevation view thereof;
FIG. 5 is an enlarged top plan view thereof; and,
FIG. 6 is an enlarged bottom plan view thereof.
The stippling in the drawings represents a texture on the surface of the pen.

1 Claim, 3 Drawing Sheets



US D641,407 S

Page 2

U.S. PATENT DOCUMENTS

D502,507 S *	3/2005	Wang	D19/50
D506,503 S	6/2005	Qiu		
D506,506 S	6/2005	Qiu		
D510,104 S *	9/2005	Qiu	D19/47
D512,098 S	11/2005	Qiu		
D537,877 S	3/2007	Bickert		
D538,343 S *	3/2007	Morton et al.	D19/50
D540,386 S	4/2007	Qiu		
D541,860 S *	5/2007	Kung	D19/50
D546,389 S	7/2007	Chiaruttini		
D548,281 S *	8/2007	Tien	D19/50
D548,788 S	8/2007	Anand		
D559,315 S *	1/2008	Qiu et al.	D19/50
D559,909 S *	1/2008	Qiu et al.	D19/50
D561,254 S *	2/2008	Lin	D19/48
D562,895 S	2/2008	Shibata		
D563,469 S	3/2008	Qiu		
D567,857 S	4/2008	Qiu		
D570,412 S	6/2008	Qiu		
D579,496 S	10/2008	Qiu		
D583,864 S	12/2008	Liu		
D586,853 S *	2/2009	Tan	D19/49
D605,701 S *	12/2009	Zhang	D19/50
D607,932 S *	1/2010	Zhang	D19/48
D609,744 S	2/2010	Rathod		
D611,535 S	3/2010	Shimizu		
D624,965 S *	10/2010	Li	D19/48
D628,641 S *	12/2010	Zhang	D19/50

OTHER PUBLICATIONS

Li, B., "Pen," U.S. Appl. No. 29/353,398, filed Jan. 7, 2010.

* cited by examiner

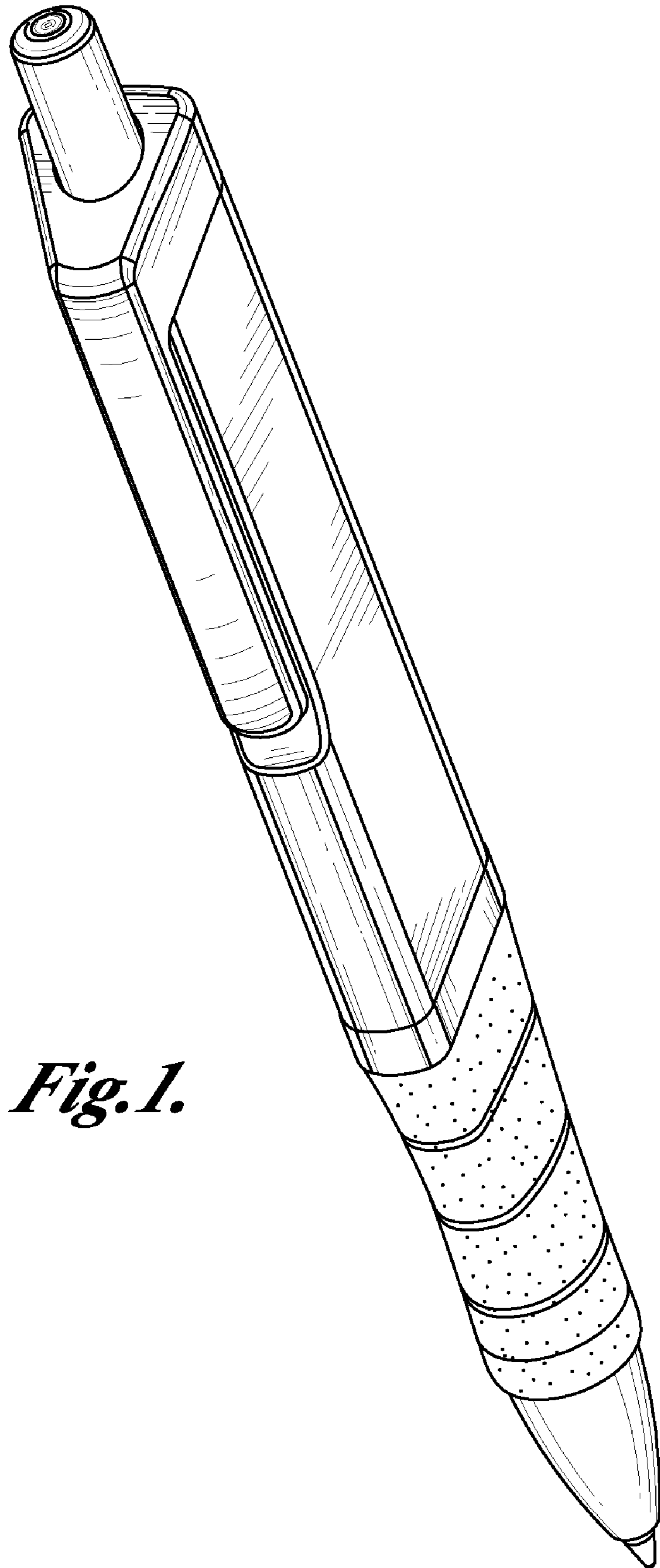


Fig. 1.

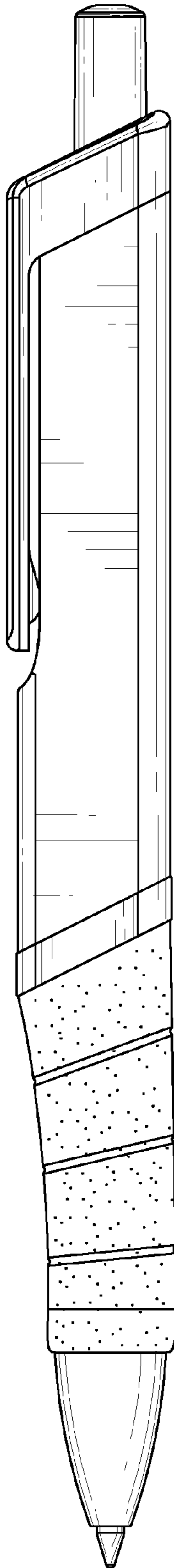


Fig. 2.

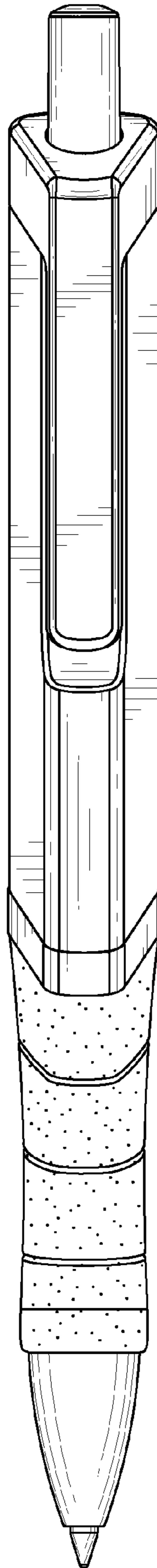


Fig. 3.

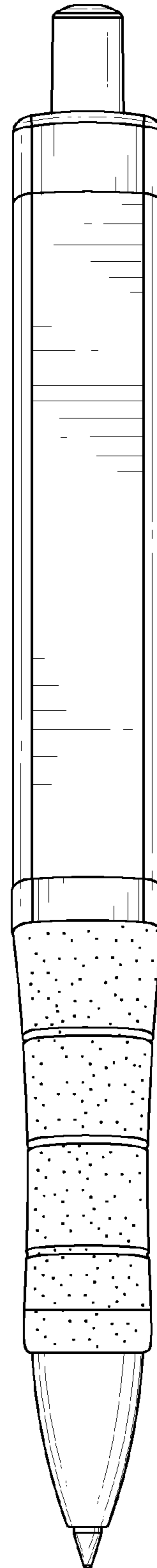


Fig. 4.

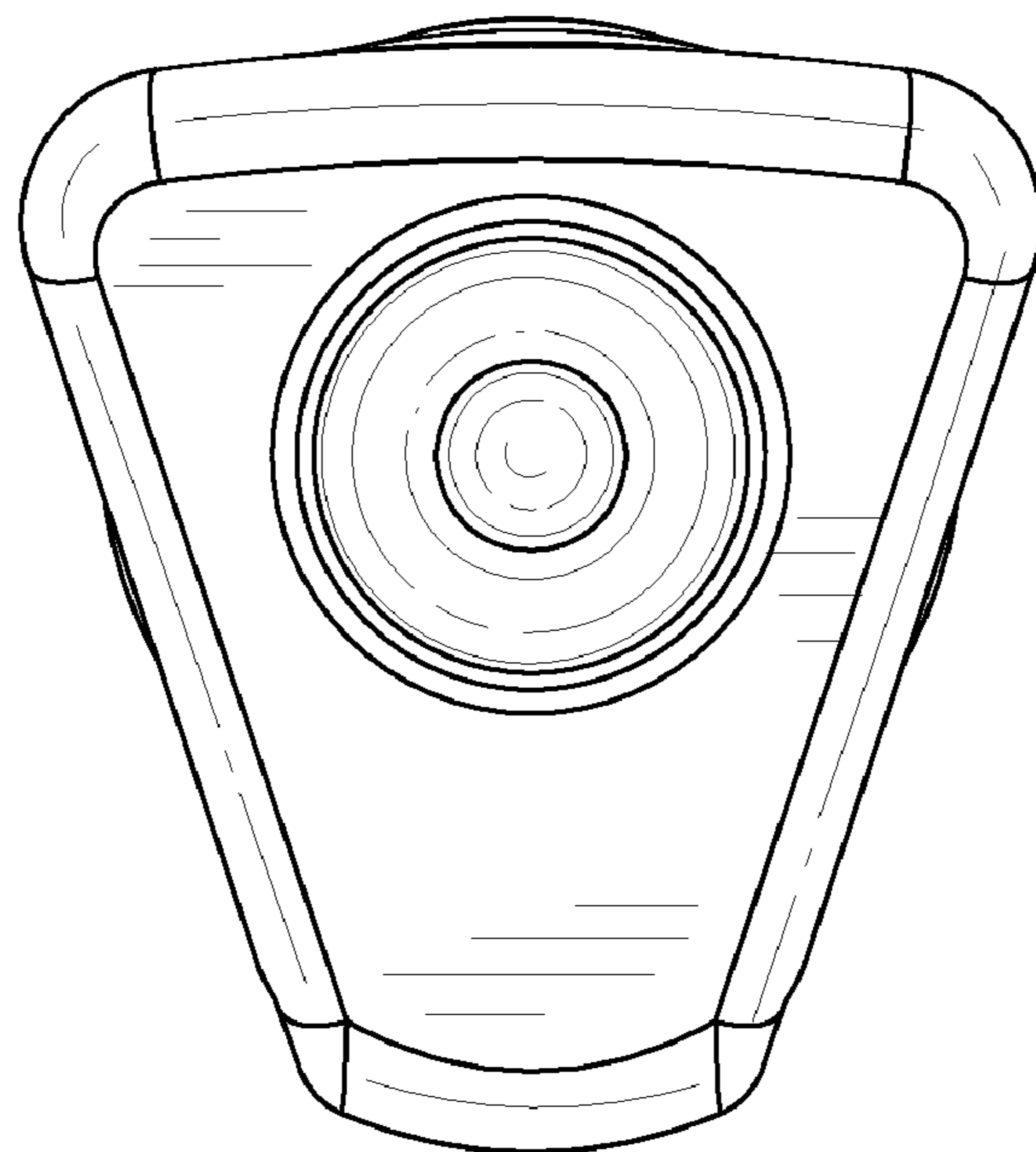


Fig. 5.

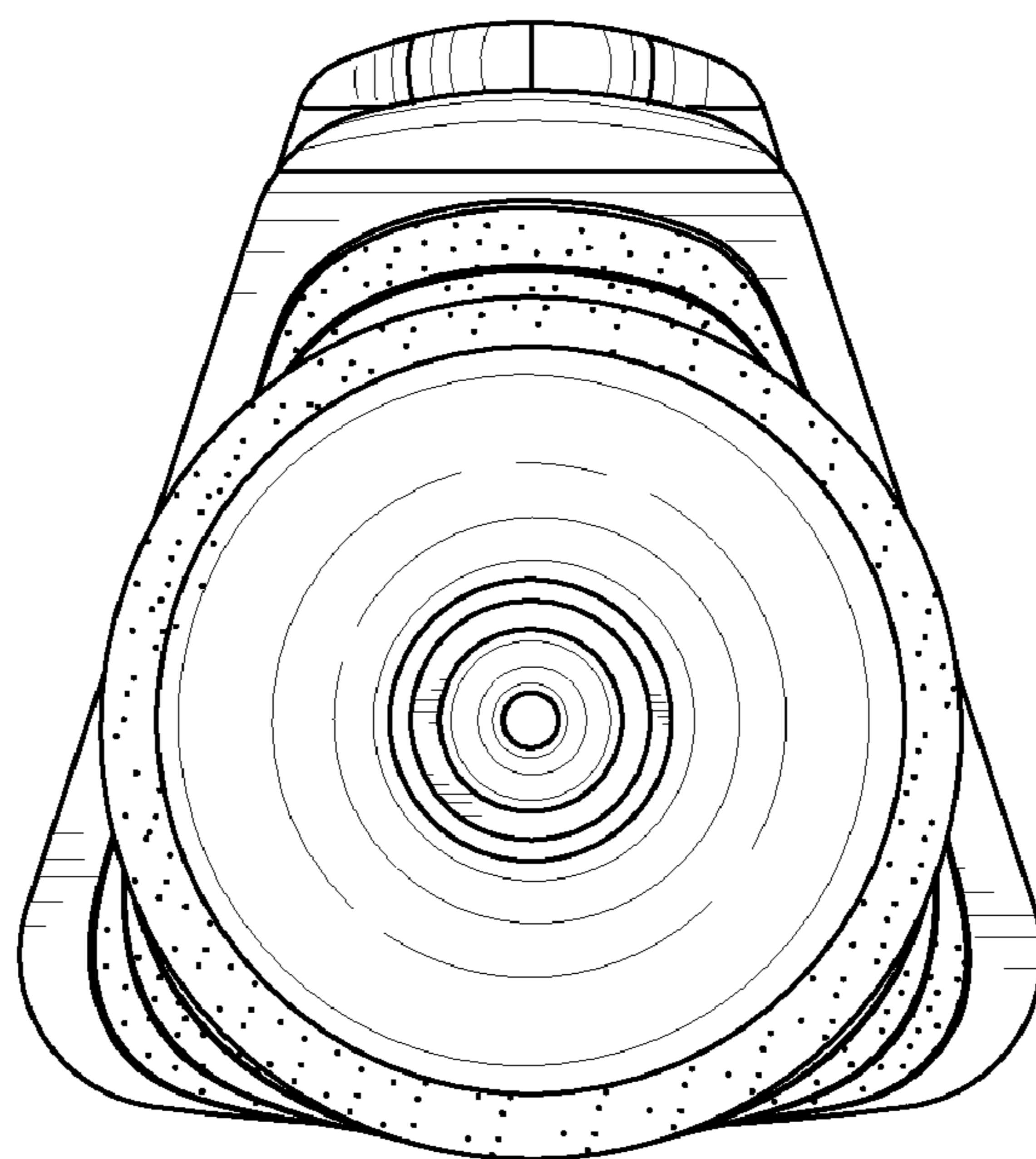


Fig. 6.