



US00D641400S

(12) **United States Design Patent**
Hattori

(10) **Patent No.:** **US D641,400 S**

(45) **Date of Patent:** **** *Jul. 12, 2011**

(54) **INK CARTRIDGE**

(75) Inventor: **Shingo Hattori**, Nagoya (JP)

(73) Assignee: **Brother Industries, Ltd.**, Nagoya-shi, Aichi-ken (JP)

(*) Notice: This patent is subject to a terminal disclaimer.

(**) Term: **14 Years**

(21) Appl. No.: **29/318,806**

(22) Filed: **May 28, 2008**

(30) **Foreign Application Priority Data**

Nov. 30, 2007	(JP)	2007-033061
Nov. 30, 2007	(JP)	2007-033062
Nov. 30, 2007	(JP)	2007-033063

(51) **LOC (9) Cl.** **18-02**

(52) **U.S. Cl.** **D18/56; 347/86**

(58) **Field of Classification Search** D18/56;
347/86, 87

See application file for complete search history.

(56) **References Cited**

U.S. PATENT DOCUMENTS

D280,913 S	10/1985	Nibley et al.	
D281,333 S	11/1985	Nibley et al.	
D353,156 S	12/1994	Kaplinsky et al.	
D379,638 S	6/1997	Cruden et al.	
D383,488 S *	9/1997	Sasaki D18/56
D390,257 S	2/1998	Dwyer et al.	
D390,259 S	2/1998	Inoue et al.	
D400,573 S	11/1998	Inoue et al.	
D421,270 S	2/2000	Yamaguchi	
D425,110 S	5/2000	Dietl et al.	
D438,897 S	3/2001	Hatasa et al.	
6,276,789 B1	8/2001	Miyazaki et al.	
6,283,588 B1	9/2001	Brandon et al.	

(Continued)

OTHER PUBLICATIONS

U.S. Appl. No. 11/862,889, filed Sep. 27, 2007.

(Continued)

Primary Examiner — Cathy Anne MacCormac

(74) *Attorney, Agent, or Firm* — Baker Botts L.L.P.

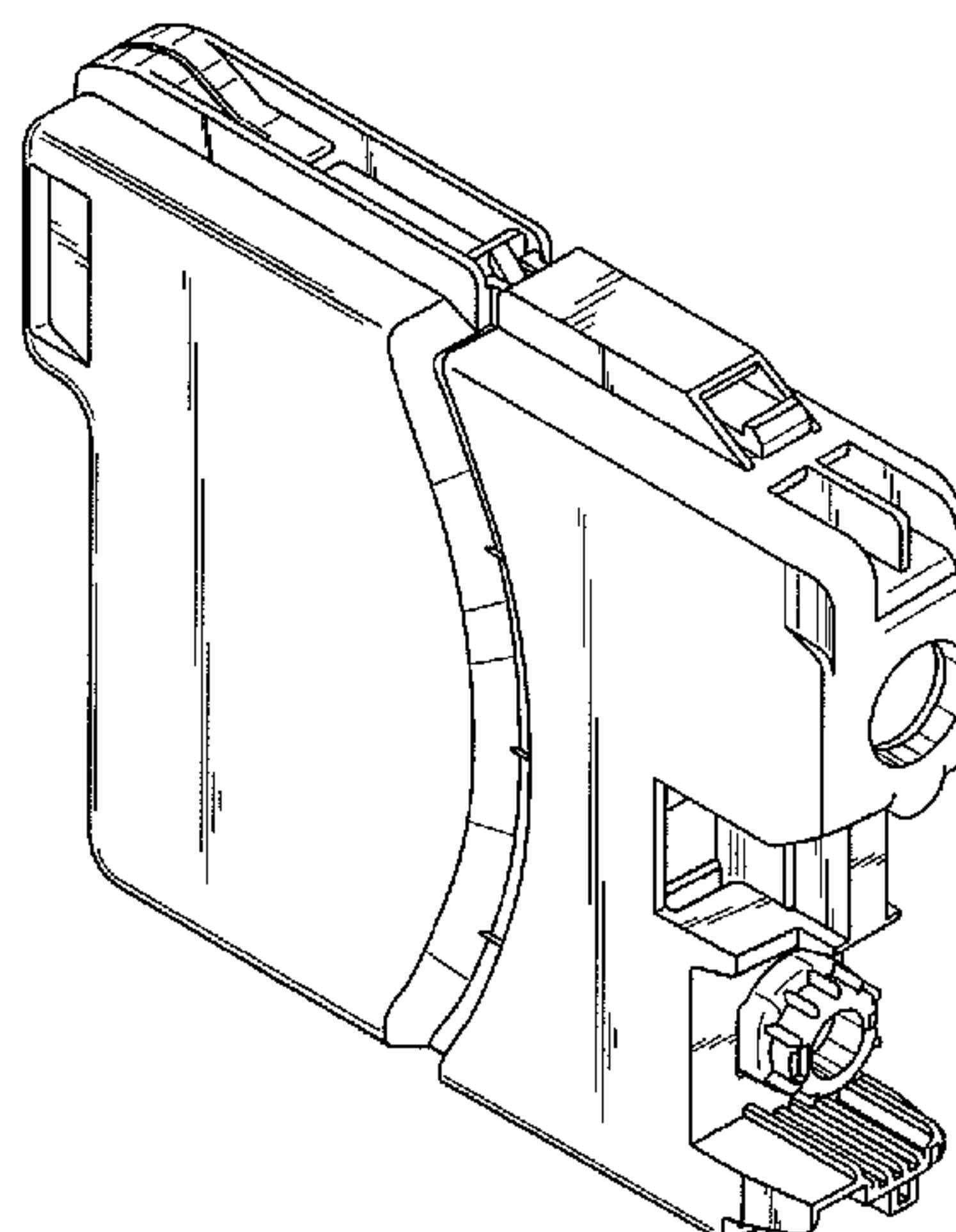
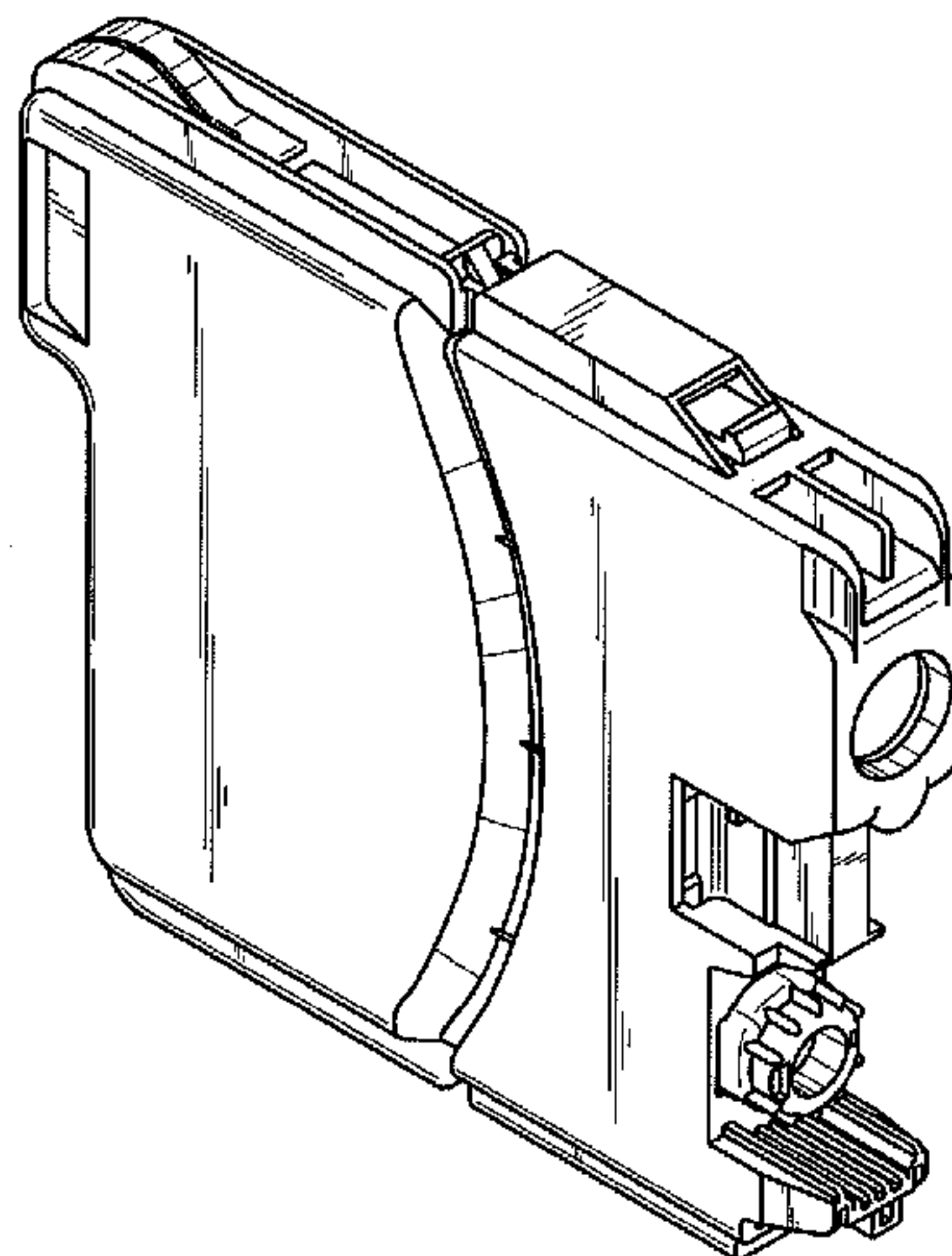
(57) **CLAIM**

The ornamental design for an ink cartridge, as shown and described.

DESCRIPTION

FIG. 1 is a front, side perspective view of a first embodiment of an ink cartridge showing my new design;
 FIG. 2 is a rear, side perspective view thereof;
 FIG. 3 is a front view thereof;
 FIG. 4 is a rear view thereof;
 FIG. 5 is a left-side view thereof;
 FIG. 6 is a right-side view thereof;
 FIG. 7 is a top view thereof;
 FIG. 8 is a bottom view thereof;
 FIG. 9 is an additional left-side view thereof, shown in an expanded position;
 FIG. 10 is a front, side perspective view of a second embodiment thereof;
 FIG. 11 is a rear, side perspective view thereof;
 FIG. 12 is a front view thereof;
 FIG. 13 is a rear view thereof;
 FIG. 14 is a left-side view thereof;
 FIG. 15 is a right-side view thereof;
 FIG. 16 is a top view thereof;
 FIG. 17 is a bottom view thereof;
 FIG. 18 is an additional left-side view thereof, shown in an expanded position;
 FIG. 19 is a front, side perspective view of a third embodiment thereof;
 FIG. 20 is a rear, side perspective view thereof;
 FIG. 21 is a front view thereof;
 FIG. 22 is a rear view thereof;
 FIG. 23 is a left-side view thereof;
 FIG. 24 is a right-side view thereof;
 FIG. 25 is a top view thereof;
 FIG. 26 is a bottom view thereof; and,
 FIG. 27 is an additional left-side view thereof, shown in an expanded position.

1 Claim, 18 Drawing Sheets



US D641,400 S

U.S. PATENT DOCUMENTS

6,286,948	B1	9/2001	Wu et al.		D541,852	S	5/2007 Hattori et al.
6,293,649	B1	9/2001	Norton		D542,341	S	5/2007 Hattori et al.
D453,183	S	1/2002	Shinano et al.		D542,342	S	5/2007 Hattori et al.
D454,363	S	3/2002	Seino et al.		D542,343	S	5/2007 Hattori et al.
D462,089	S	8/2002	Trafton et al.		D542,839	S	5/2007 Hattori et al.
D462,383	S	9/2002	Trafton et al.		D543,234	S	5/2007 Hattori et al.
D462,384	S *	9/2002	Sasaki et al.	D18/56	D543,235	S	5/2007 Hattori et al.
D462,986	S	9/2002	Trafton et al.		D543,236	S	5/2007 Hattori
D465,516	S	11/2002	Shinada et al.		D547,370	S	7/2007 Hattori et al.
D466,151	S	11/2002	Shinada et al.		7,244,018	B2	7/2007 Hashii et al.
D477,020	S	7/2003	Seino		7,249,821	B2	7/2007 Sakai et al.
D477,021	S	7/2003	Yu et al.		D549,280	S	8/2007 Morino
D477,841	S	7/2003	Shimizu et al.		D549,773	S	8/2007 Sasaki et al.
D478,344	S	8/2003	Kinoshita et al.		7,287,843	B2 *	10/2007 Muranaka et al. 347/86
D478,345	S	8/2003	Kinoshita et al.		D556,258	S	11/2007 Morino
6,722,762	B2	4/2004	Miyazawa et al.		7,293,866	B2	11/2007 Miyazawa et al.
D489,756	S	5/2004	Matsumoto et al.		D557,334	S	12/2007 Morino
D489,757	S	5/2004	Matsumoto		D557,335	S	12/2007 Morino
D490,102	S	5/2004	Umeyama et al.		D569,422	S *	5/2008 Matsumoto D18/56
D491,221	S	6/2004	Umeyama et al.		2001/0038406	A1	11/2001 Shihoh et al.
D497,631	S	10/2004	Sasaki		2002/0085075	A1	7/2002 Shinada et al.
6,905,199	B2	6/2005	Miyazawa et al.		2002/0109760	A1	8/2002 Miyazawa et al.
D508,075	S	8/2005	Sasaki et al.		2002/0154200	A1	10/2002 Miyazawa et al.
6,955,422	B2	10/2005	Miyazawa et al.		2002/0158948	A1	10/2002 Miyazawa et al.
D517,597	S	3/2006	Andoh		2003/0085967	A1	5/2003 Ota et al.
D517,599	S	3/2006	Sasaki et al.		2003/0085970	A1	5/2003 Sakai et al.
D518,517	S	4/2006	Sasaki et al.		2004/0201655	A1	10/2004 Miyazawa et al.
D518,518	S	4/2006	Sasaki et al.		2004/0239736	A1	12/2004 Miyazawa et al.
D518,853	S	4/2006	Sasaki et al.		2005/0036015	A1	2/2005 Seino et al.
D519,152	S	4/2006	Sasaki et al.		2005/0052511	A1	3/2005 Seino et al.
D519,153	S	4/2006	Sasaki et al.		2006/0139423	A1	6/2006 Sakai et al.
D519,154	S	4/2006	Sasaki et al.		2006/0152564	A1	7/2006 Hashii et al.
D519,554	S	4/2006	Sasaki et al.		2007/0070147	A1	3/2007 Hattori et al.
D519,557	S	4/2006	Sasaki et al.		2007/0132820	A1	6/2007 Sato
D519,558	S	4/2006	Sasaki et al.		2007/0182793	A1	8/2007 Miyazawa et al.
7,029,104	B2	4/2006	Sakai et al.		2007/0229629	A1 *	10/2007 Miyazawa et al. 347/86
D520,056	S	5/2006	Sasaki et al.		2008/0002007	A1	1/2008 Silverbrook
D520,560	S	5/2006	Sasaki et al.		2008/0024572	A1	1/2008 Kimura et al.
D521,549	S	5/2006	Sasaki et al.		2008/0036834	A1	2/2008 Usui et al.
D522,049	S	5/2006	Ishizawa et al.		2008/0129805	A1 *	6/2008 Yano 347/86
D522,050	S	5/2006	Sasaki et al.		2008/0180496	A1	7/2008 Hattori et al.
D522,051	S	5/2006	Sasaki et al.		2008/0180497	A1	7/2008 Hattori et al.
D524,855	S	7/2006	Ishizawa et al.		2008/0180498	A1	7/2008 Hattori et al.
D525,652	S	7/2006	Hegge		2008/0180499	A1	7/2008 Sugahara et al.
D526,009	S	8/2006	Sasaki et al.				
D527,418	S	8/2006	Sasaki et al.				
7,083,272	B2	8/2006	Silverbrook				
D528,598	S	9/2006	Ishizawa et al.				
D529,954	S	10/2006	Matsumoto				
D531,664	S	11/2006	Hegge				
D536,374	S	2/2007	Shinada et al.				
D538,336	S	3/2007	Hattori et al.				
D538,337	S	3/2007	Hattori et al.				
D538,338	S	3/2007	Matsumoto				
D539,341	S	3/2007	Hattori et al.				
D540,379	S	4/2007	Hattori et al.				
D540,855	S *	4/2007	Umezawa et al.	D18/56			
D540,856	S	4/2007	Hattori				
D540,857	S	4/2007	Hattori				
D541,333	S	4/2007	Hattori et al.				
D541,334	S	4/2007	Hattori et al.				
D541,336	S	4/2007	Hattori				
D541,337	S	4/2007	Hattori				
D541,851	S	5/2007	Hattori et al.				

OTHER PUBLICATIONS

- U.S. Appl. No. 11/862,976, filed Sep. 27, 2007.
- U.S. Appl. No. 12/055,202, filed Mar. 25, 2008 as a CIP of U.S. Appl. No. 11/863,147.
- U.S. Appl. No. 11/957,264, filed Dec. 14, 2007.
- U.S. Appl. No. 11/957,278, filed Dec. 14, 2007.
- U.S. Appl. No. 11/959,387, filed Dec. 18, 2007.
- U.S. Appl. No. 11/961,118, filed Dec. 20, 2007.
- U.S. Appl. No. 11/961,222, filed Dec. 20, 2007.
- U.S. Appl. No. 11/965,347, filed Dec. 27, 2007.
- U.S. Appl. No. 11/965,418, filed Dec. 27, 2007.
- U.S. Appl. No. 11/965,455, filed Dec. 27, 2007.
- U.S. Appl. No. 11/970,475, filed Jan. 7, 2008.
- U.S. Appl. No. 11/970,491, filed Jan. 7, 2008.
- U.S. Appl. No. 12/021,137, filed Jan. 28, 2008.
- U.S. Appl. No. 12/023,228, filed Jan. 31, 2008.

* cited by examiner

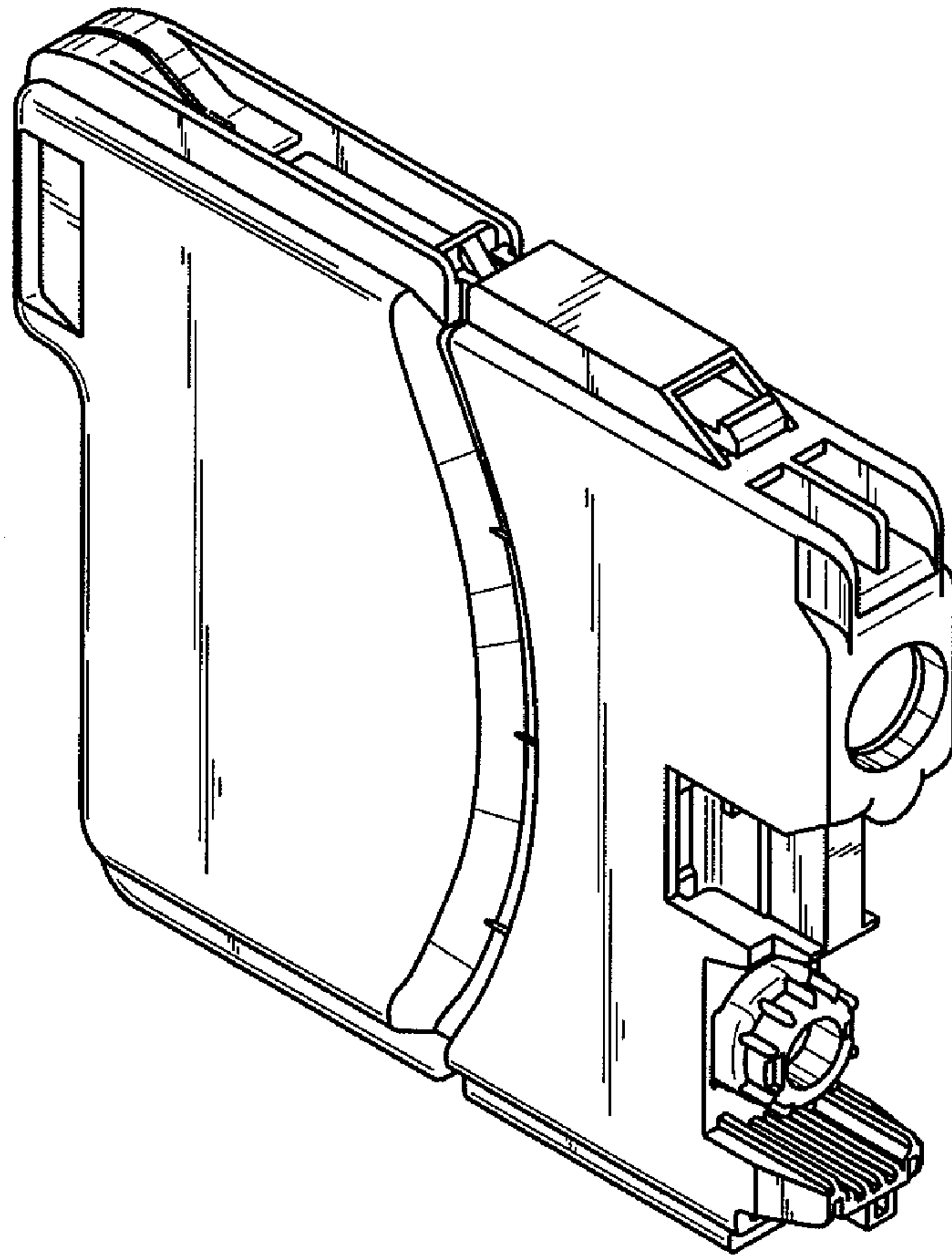


Fig. 1

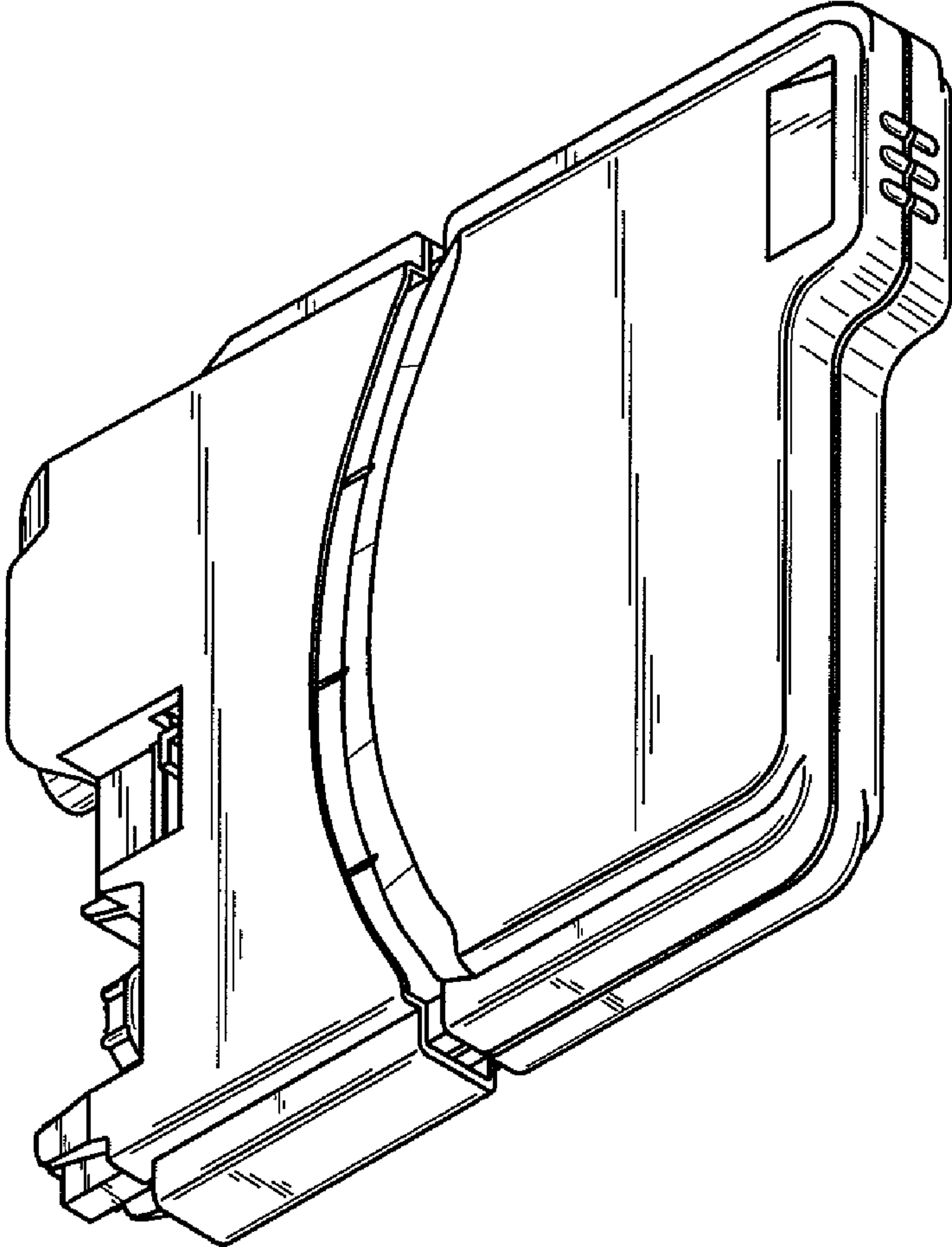


Fig. 2

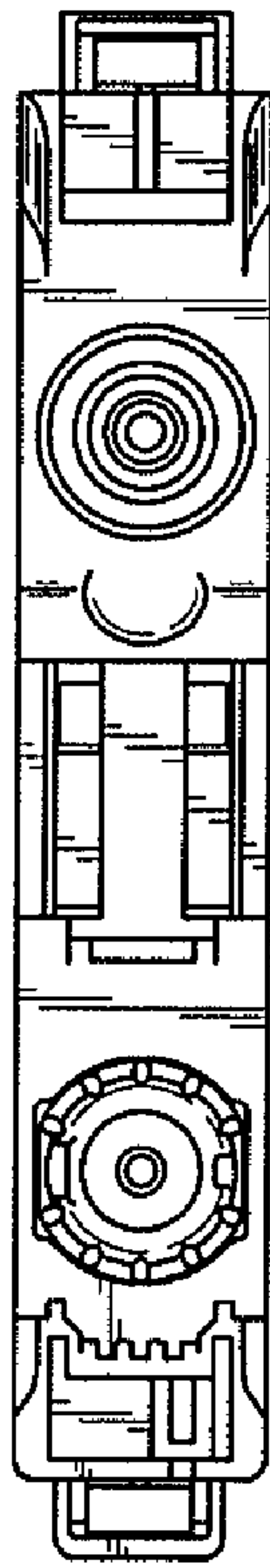


Fig. 3

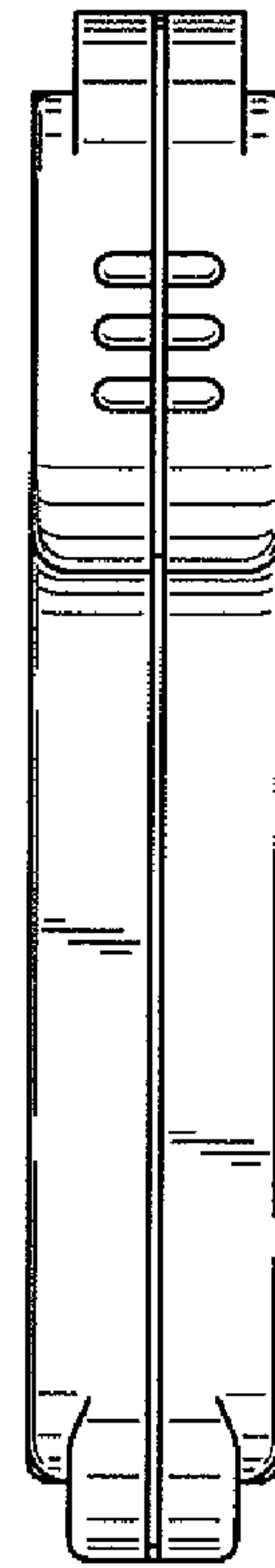


Fig. 4

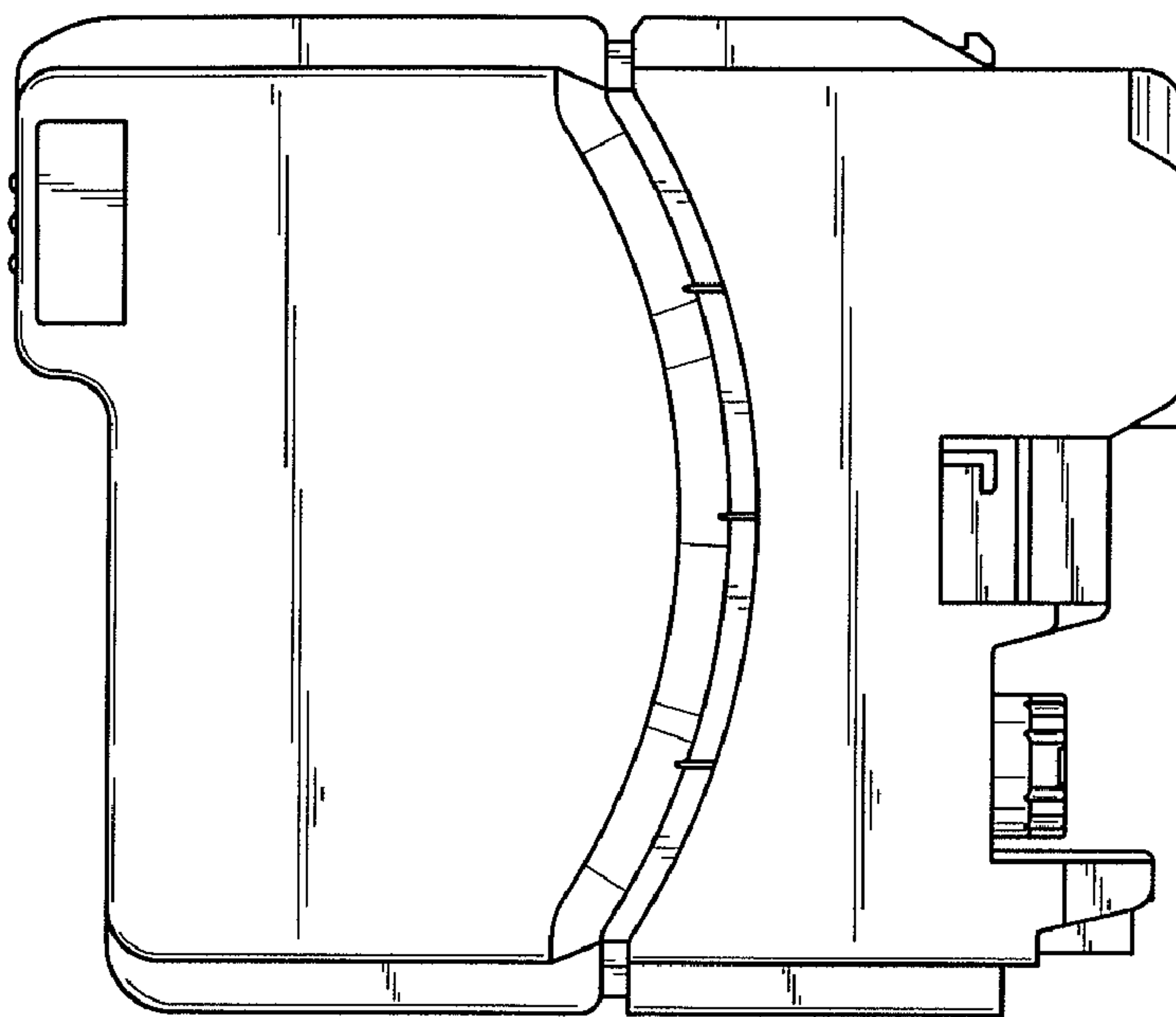


Fig. 5

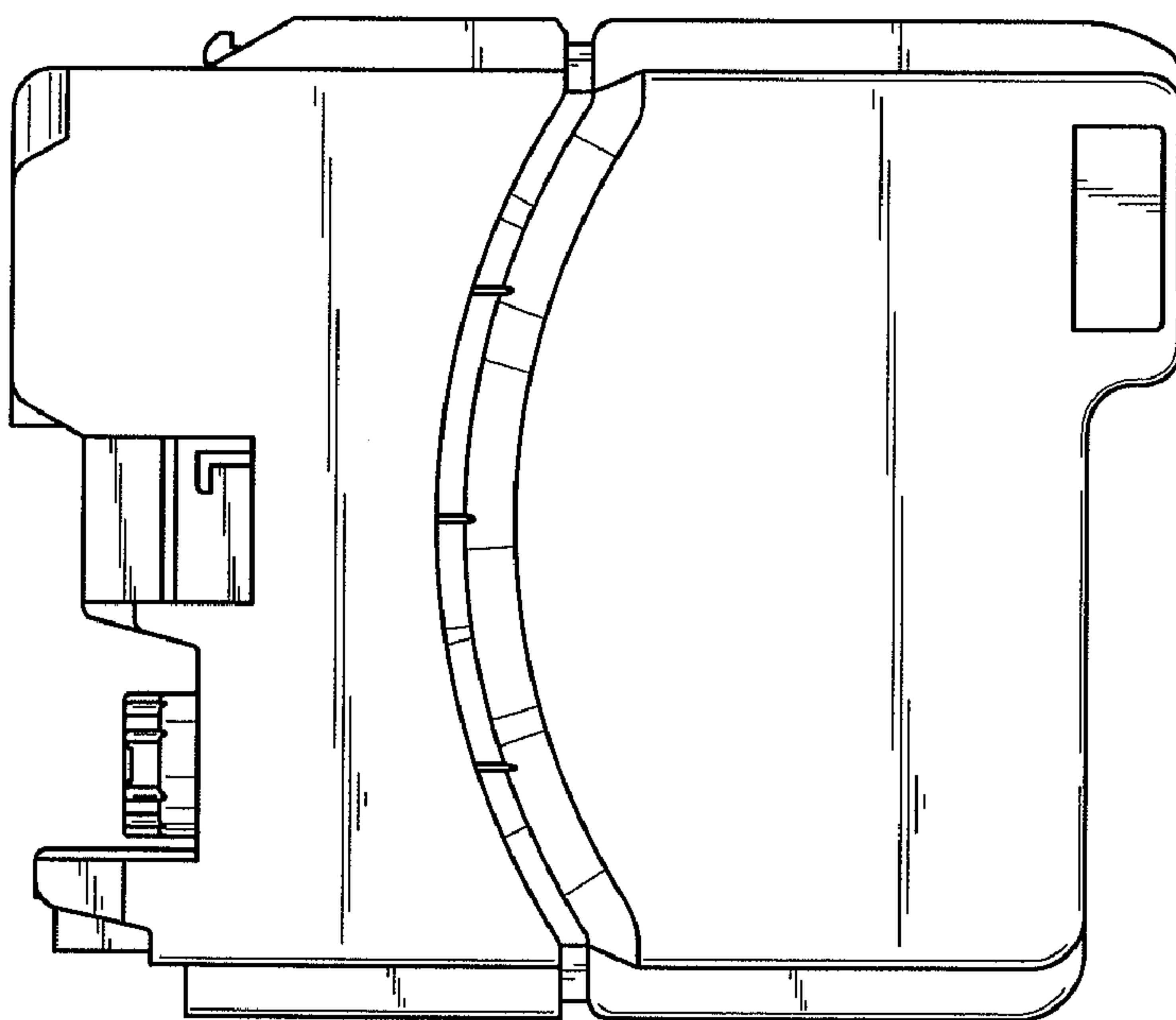


Fig. 6

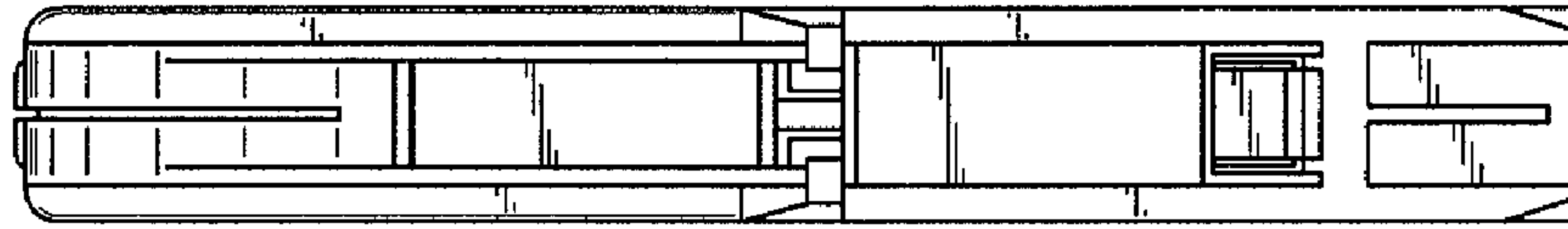


Fig. 7

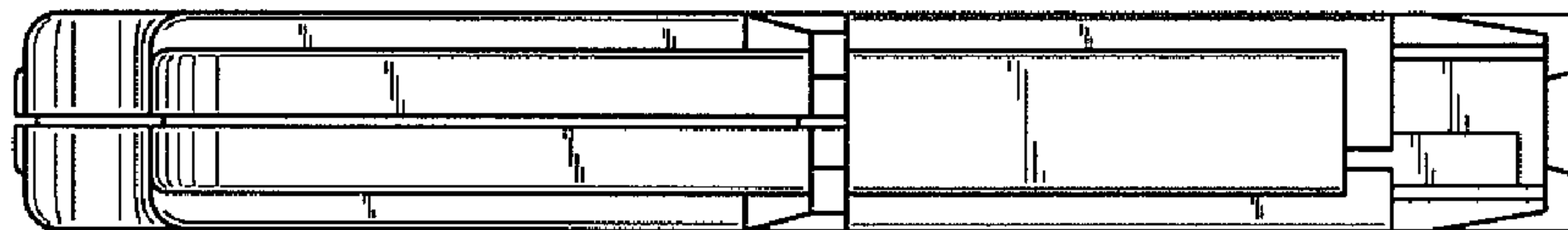


Fig. 8

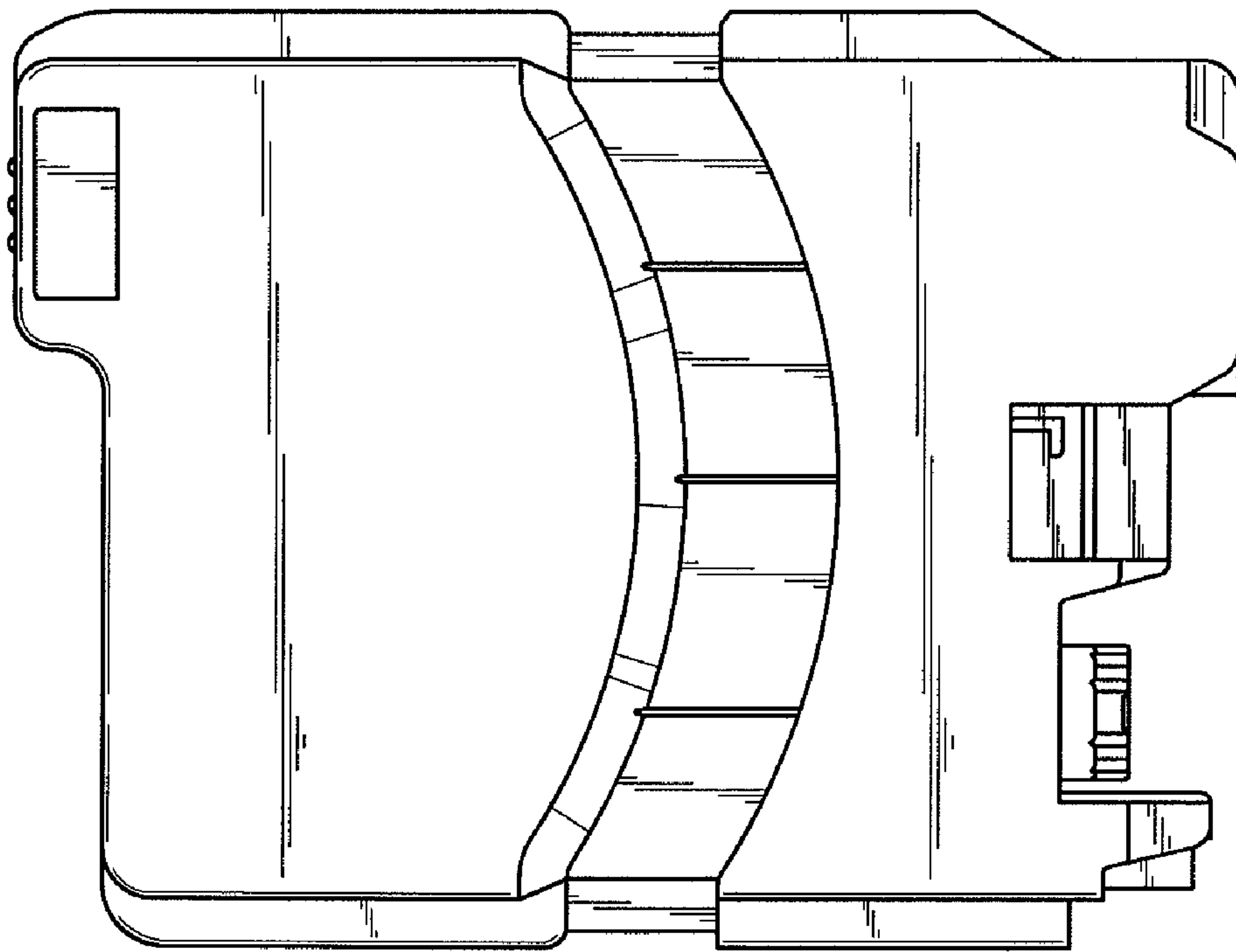


Fig. 9

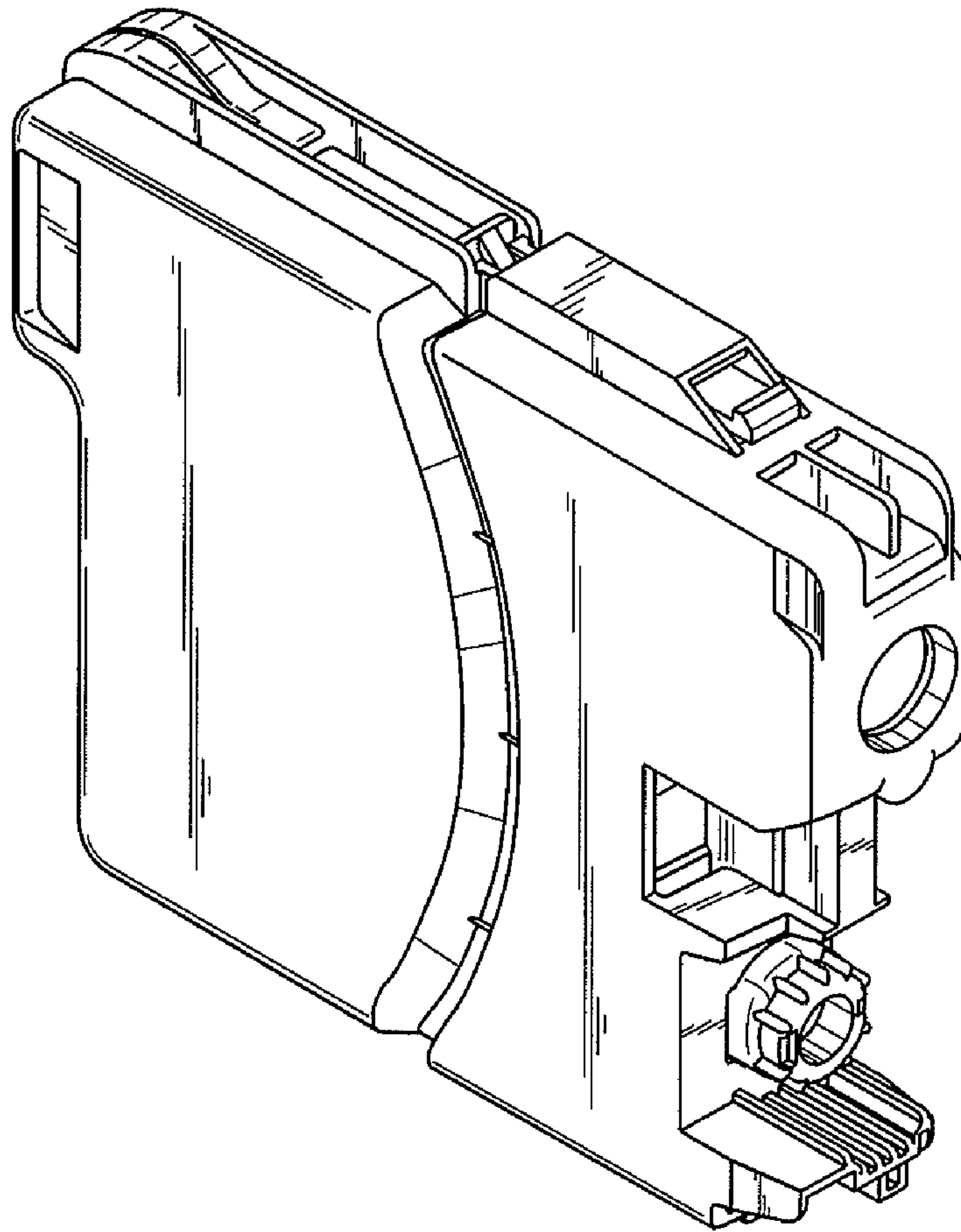


Fig. 10

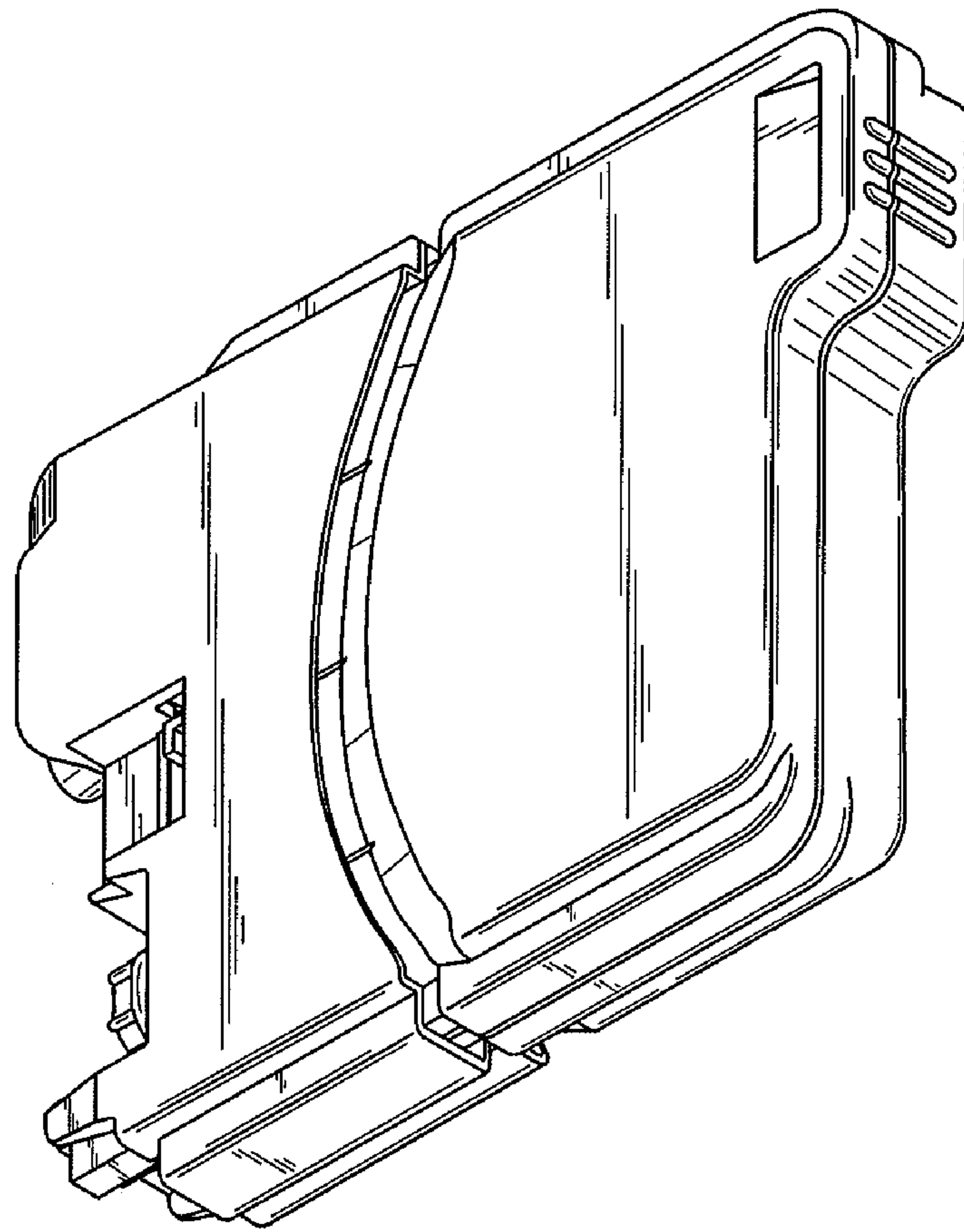


Fig. 11

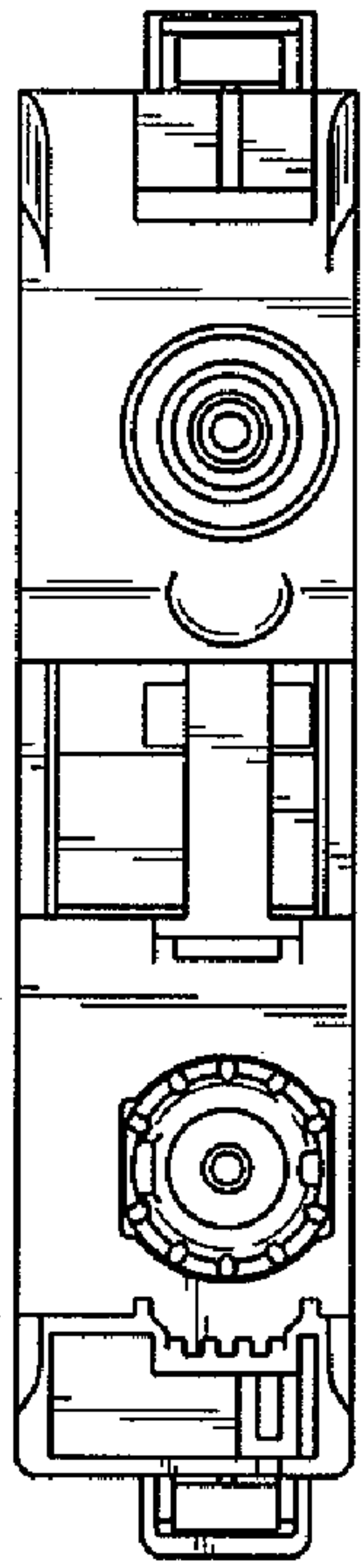


Fig. 12

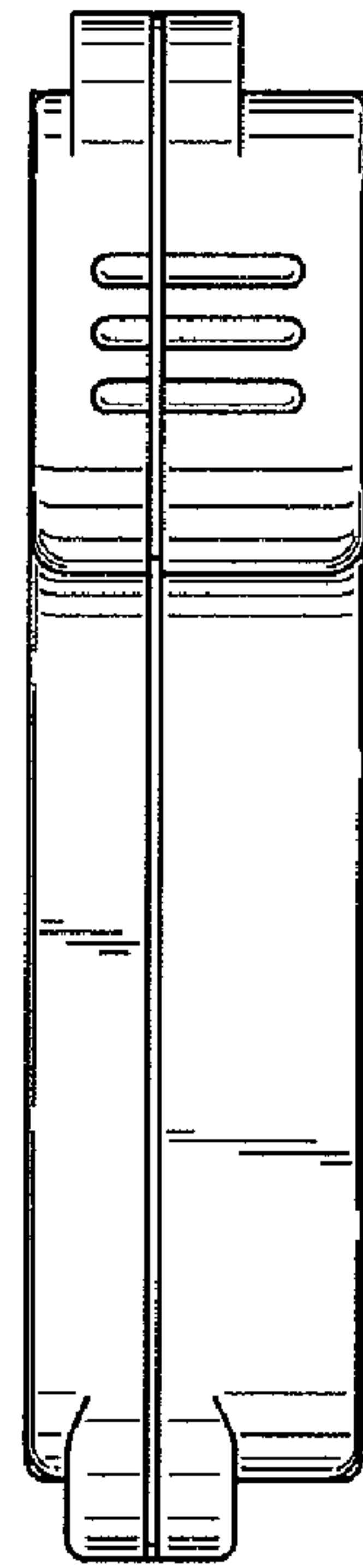


Fig. 13

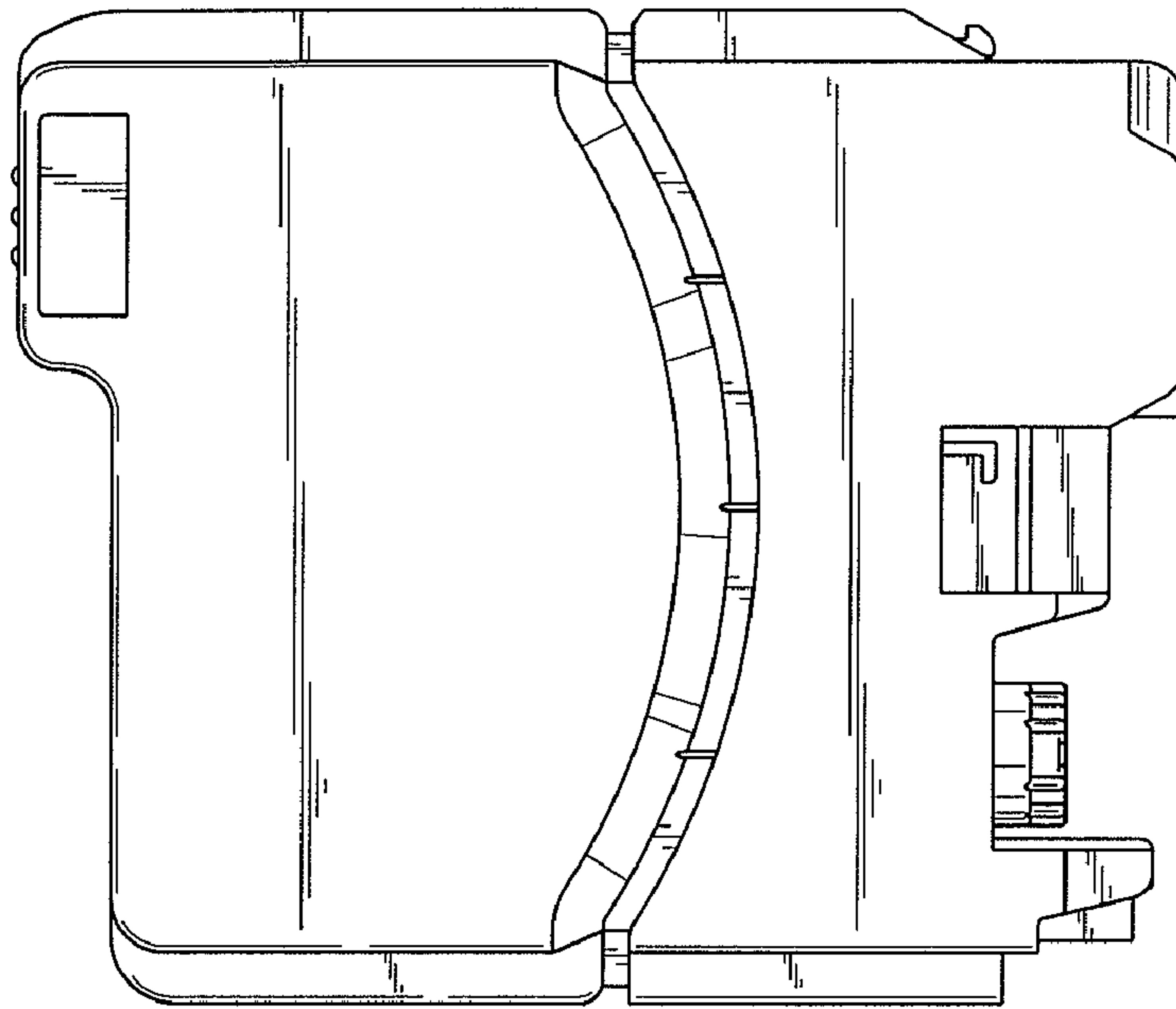


Fig. 14

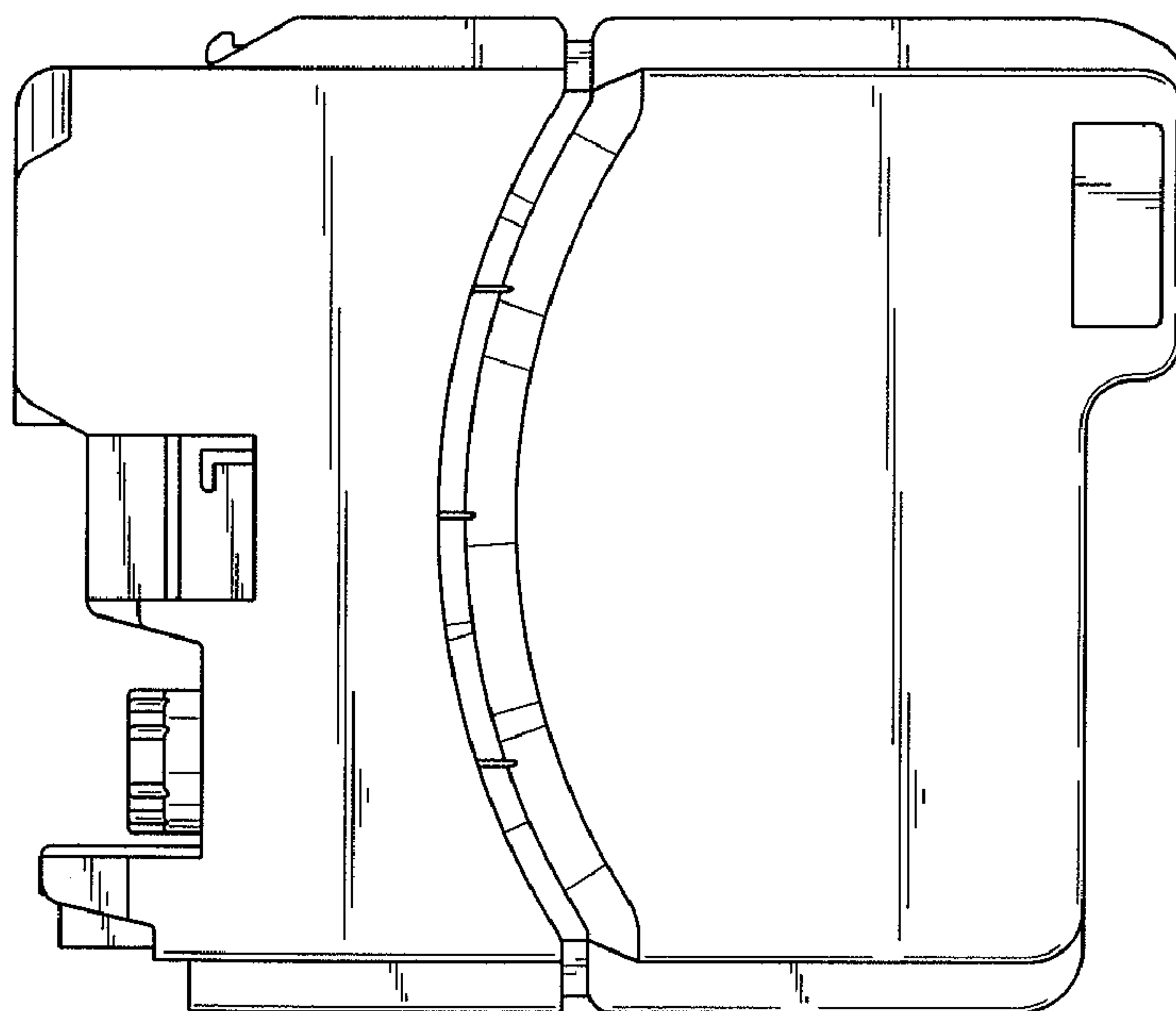


Fig. 15

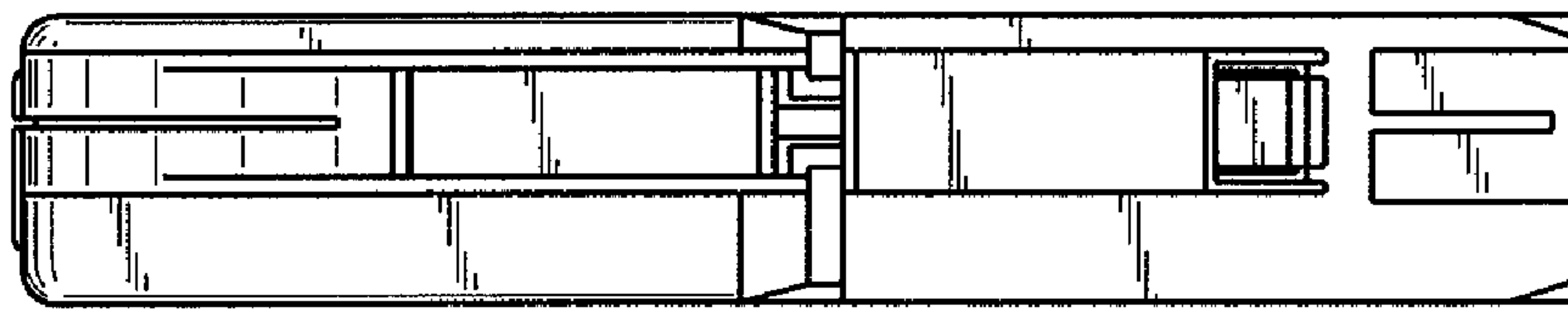


Fig. 16

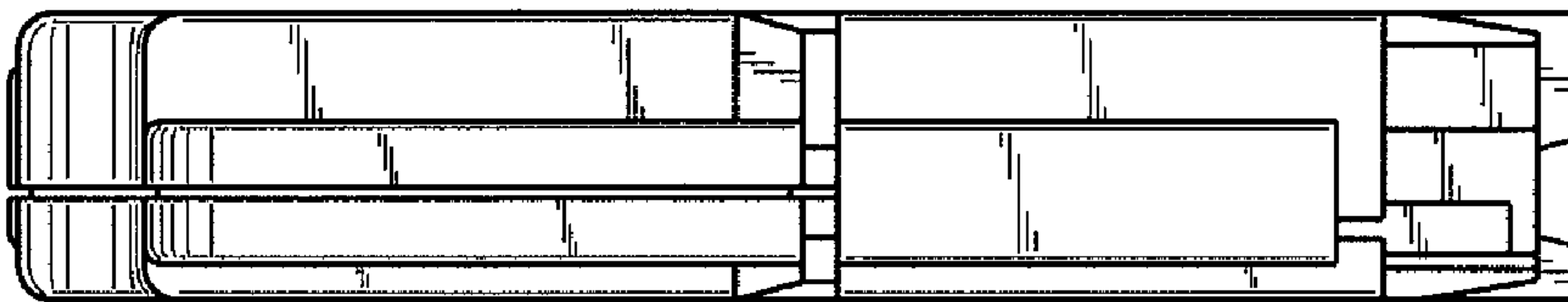


Fig. 17

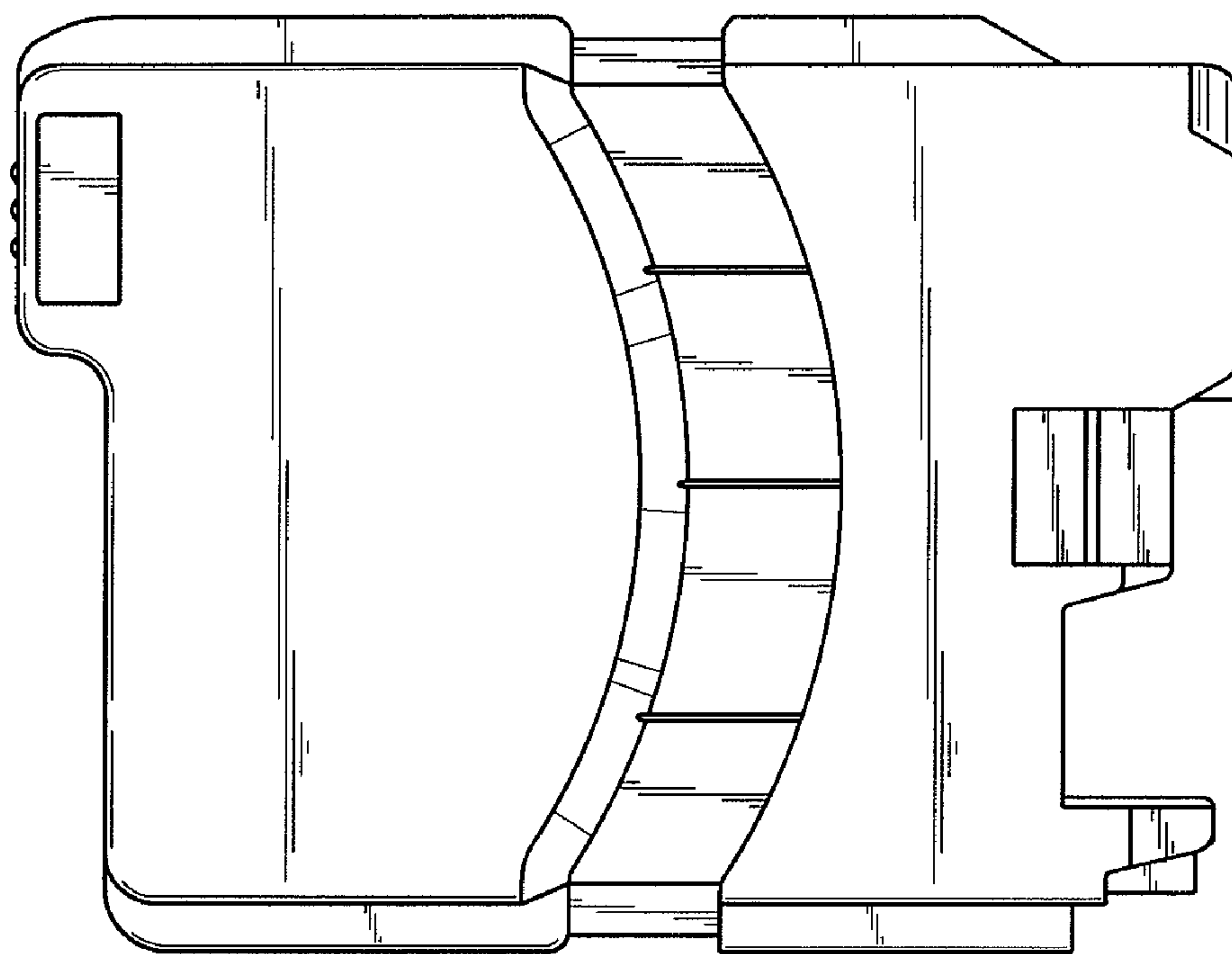


Fig. 18

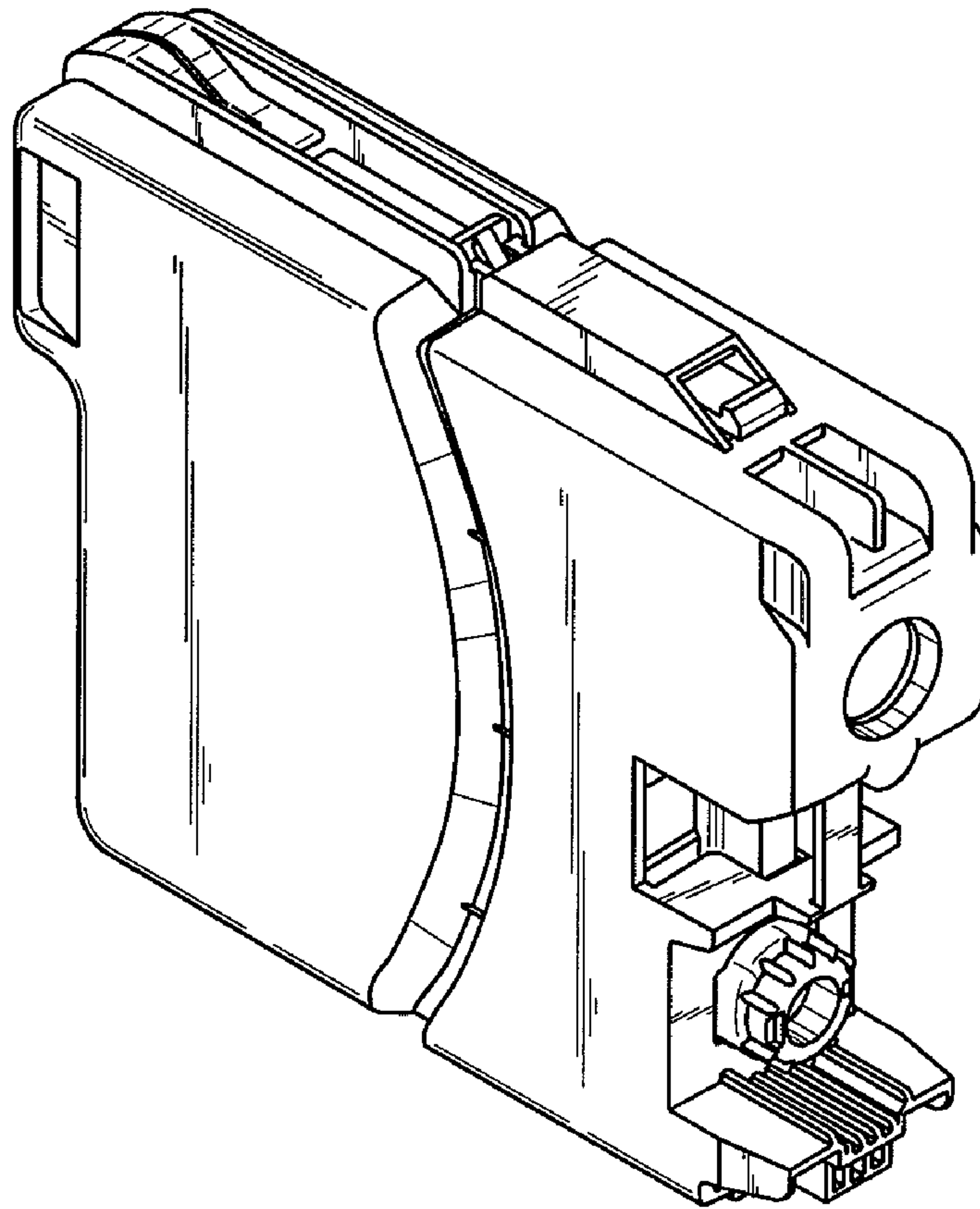


Fig. 19

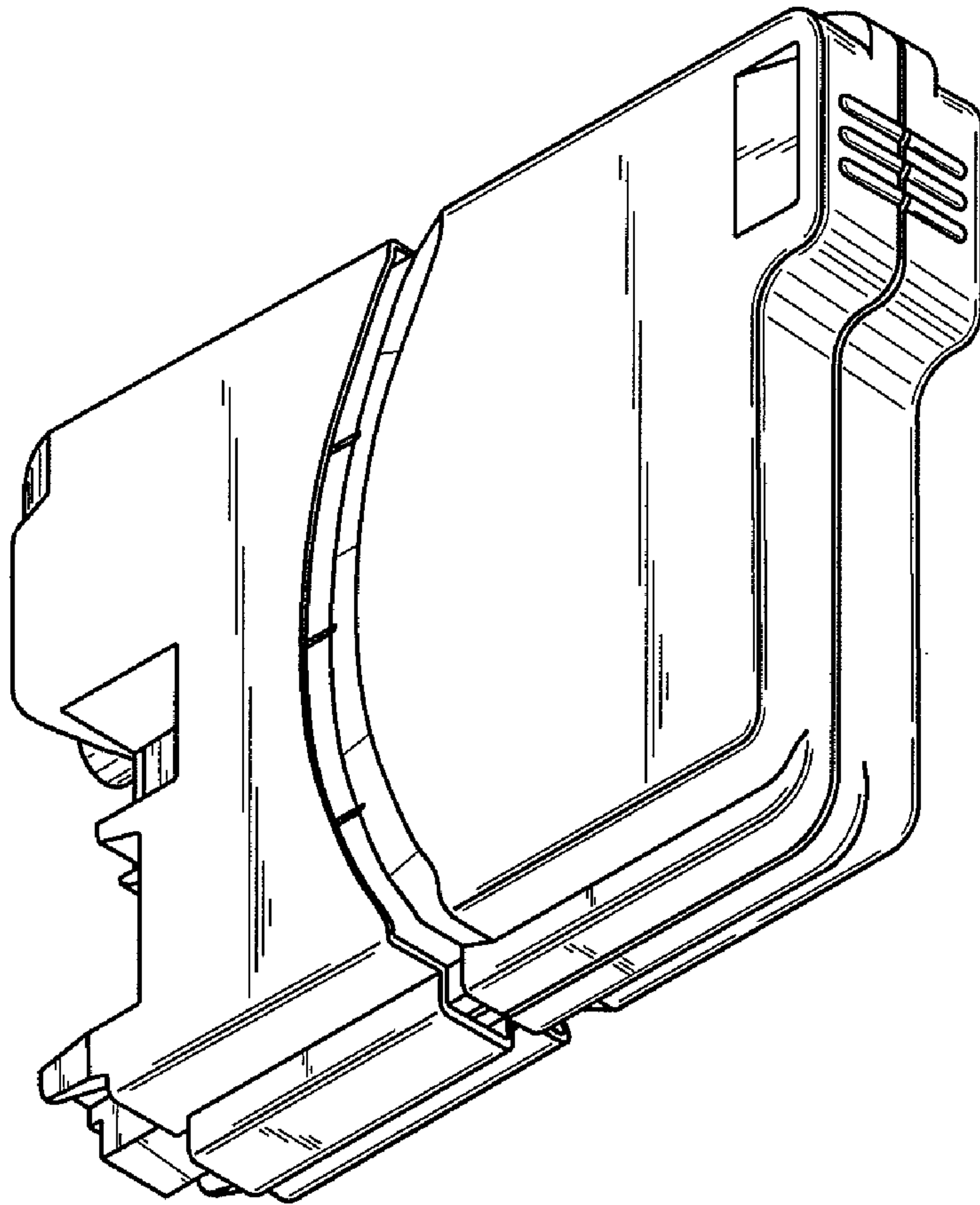


Fig. 20

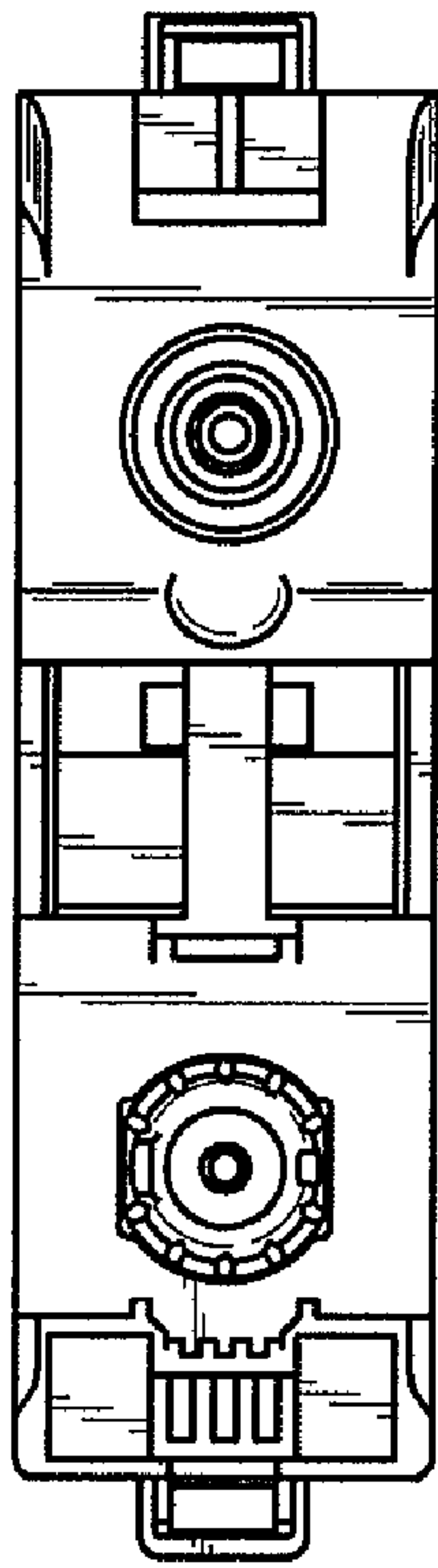


Fig. 21

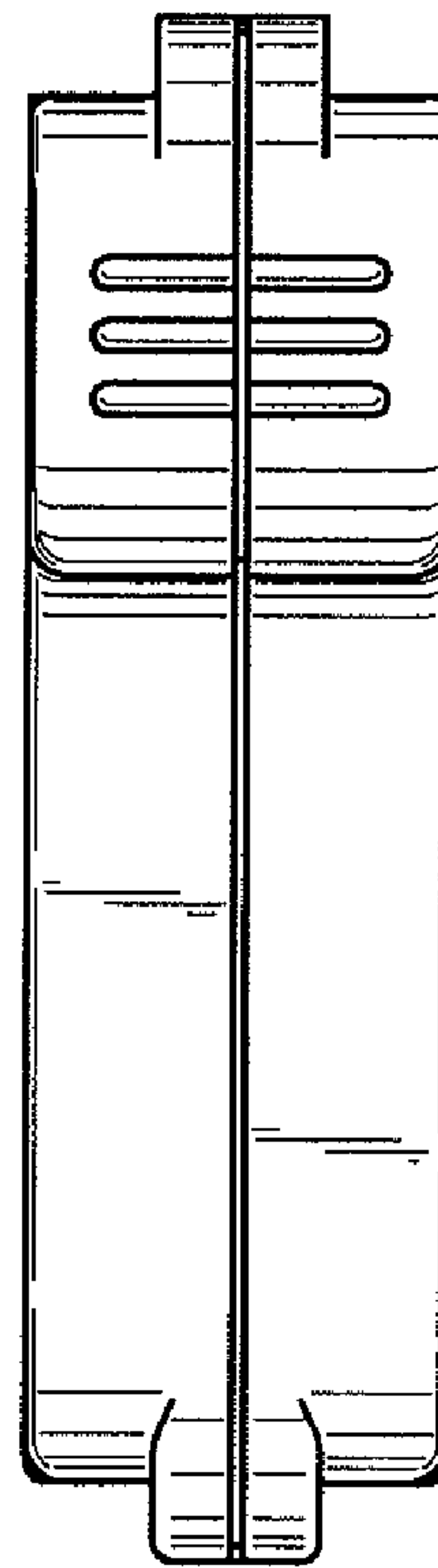


Fig. 22

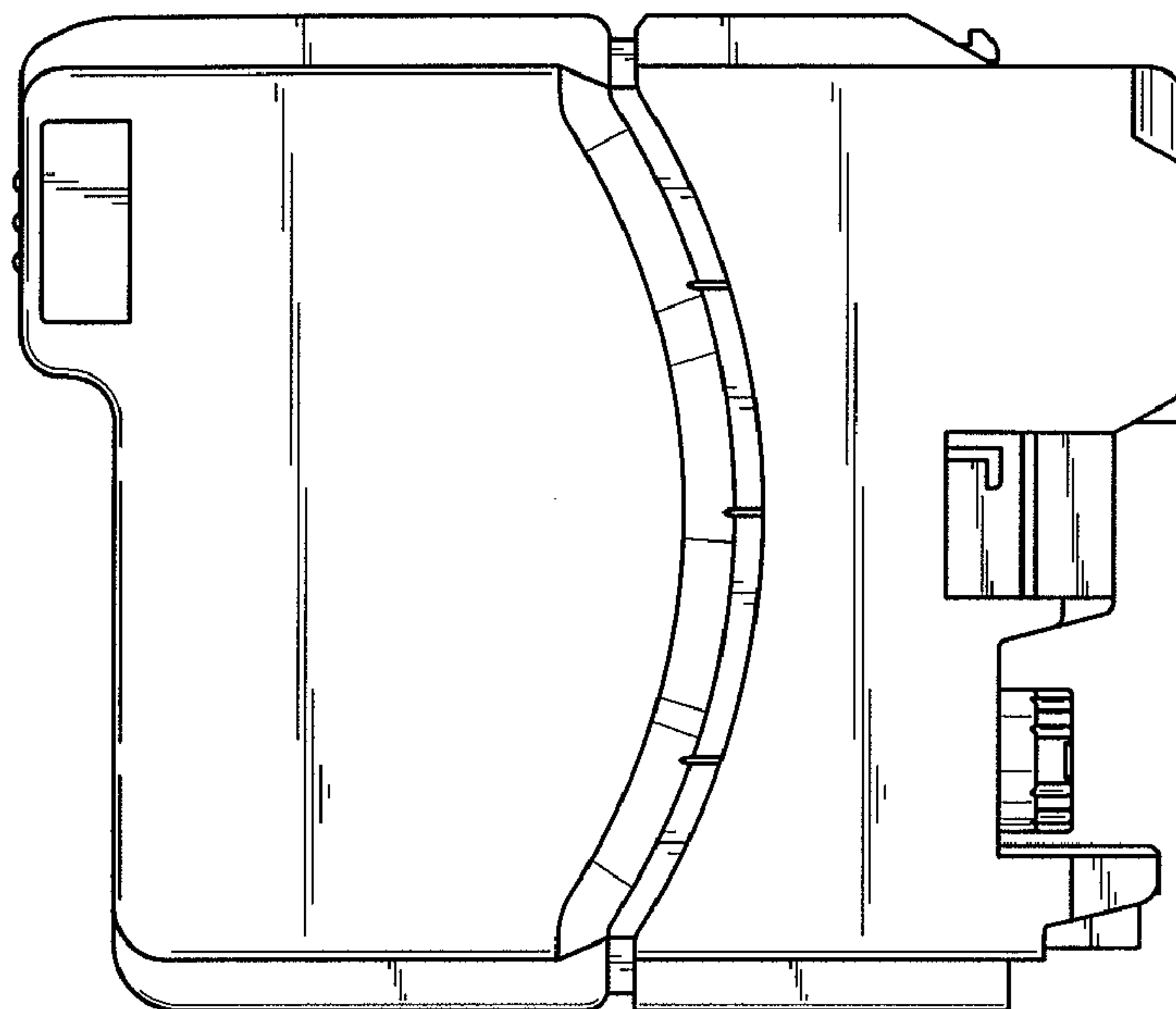


Fig. 23

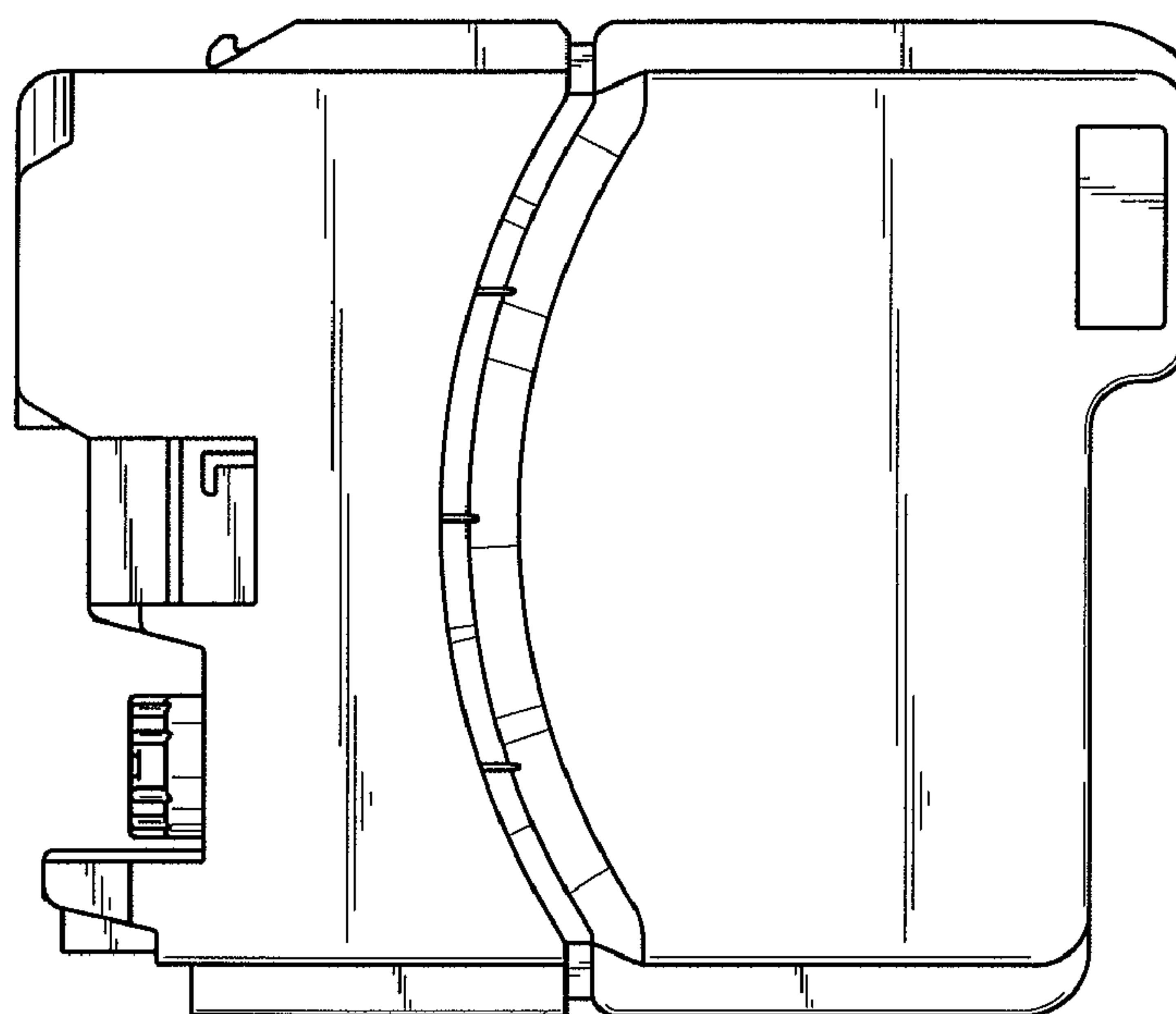


Fig. 24

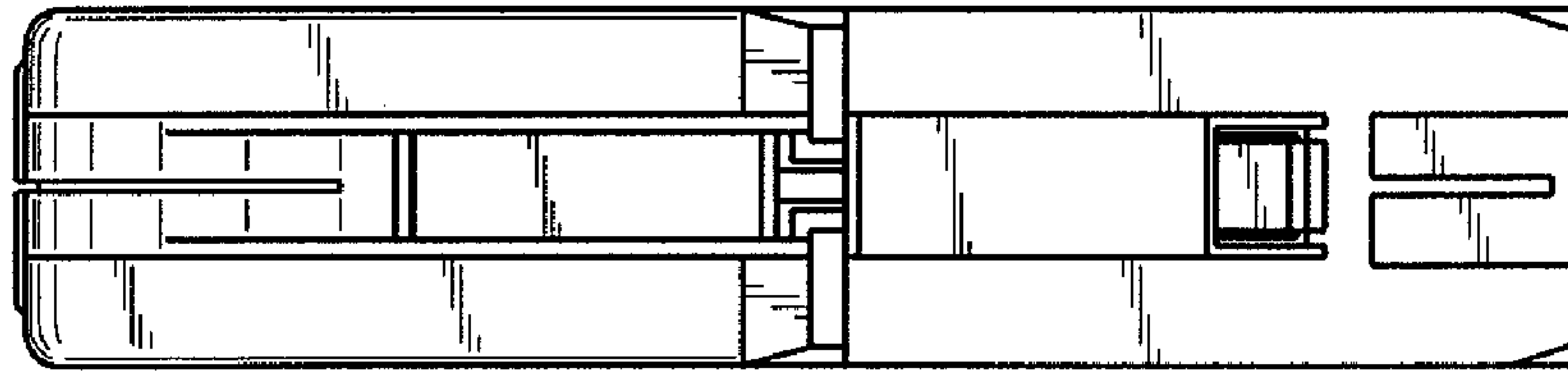


Fig. 25



Fig. 26

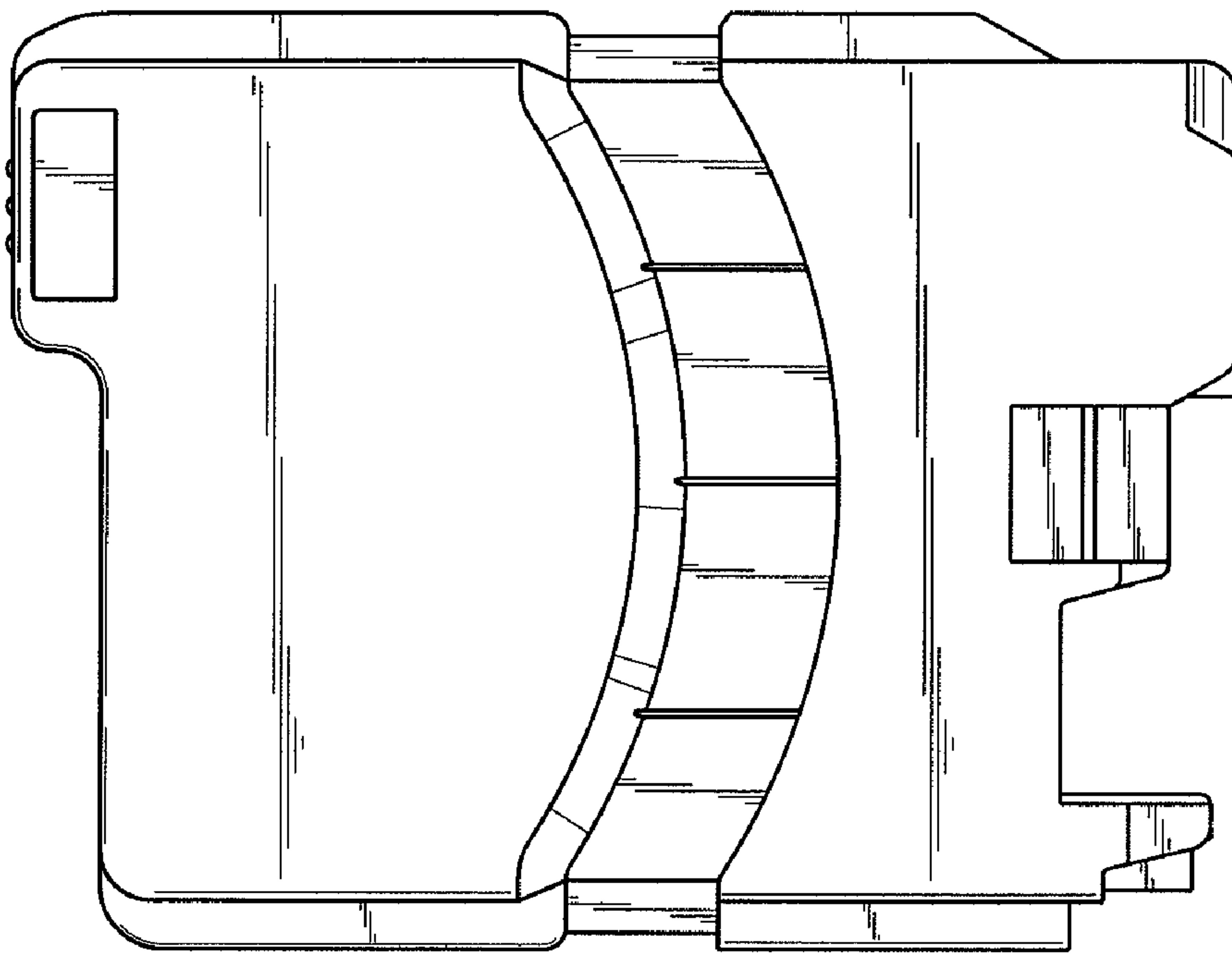


Fig. 27