



US00D641398S

(12) **United States Design Patent**  
**Kim et al.**

(10) **Patent No.:** **US D641,398 S**  
(45) **Date of Patent:** **\*\* Jul. 12, 2011**

(54) **COLOR LASER PRINTER**  
(75) Inventors: **Kyong-Hwan Kim**, Seoul (KR);  
**Jun-Won Bae**, Seoul (KR); **Son-Young Lee**, Seoul (KR); **Chung-Ha Kim**, Seoul (KR)  
(73) Assignee: **Samsung Electronics Co., Ltd.**, Suwon, Kyunggi-Do (KR)  
(\*\*) Term: **14 Years**

D558,262 S 12/2007 Hong et al.  
D558,820 S 1/2008 Hong et al.  
D561,248 S 2/2008 Lee et al.  
D561,824 S 2/2008 Park et al.  
D562,378 S 2/2008 Kim et al.  
D573,178 S 7/2008 Lee et al.  
D573,179 S 7/2008 Bae et al.  
D580,483 S 11/2008 Park et al.  
D581,976 S 12/2008 Park et al.  
D584,344 S 1/2009 Lee et al.  
D584,347 S 1/2009 Hong et al.  
D584,348 S 1/2009 Boo et al.  
D586,385 S 2/2009 Kim et al.

(Continued)

(21) Appl. No.: **29/316,976**

(22) Filed: **Nov. 13, 2009**

(51) **LOC (9) Cl.** ..... **14-02**  
(52) **U.S. Cl.** ..... **D18/55**  
(58) **Field of Classification Search** ..... D18/14,  
D18/19, 36-37, 50, 54, 54.1, 55; D14/420-425,  
D14/463-470; 400/613, 613.1-613.4, 690.1-690.4,  
400/691-694  
See application file for complete search history.

**OTHER PUBLICATIONS**

U.S. Appl. No. 29/314,206, Applicant: Ji-Sang Park, et al., filed Mar. 13, 2009 entitled Laser Printer.

(Continued)

*Primary Examiner* — Cathy Anne MacCormac  
(74) *Attorney, Agent, or Firm* — Flynn, Thiel, Boutell & Tanis, P.C.

(56) **References Cited**

**U.S. PATENT DOCUMENTS**

D326,867 S 6/1992 Kwak  
D359,506 S 6/1995 Lee  
D378,218 S 2/1997 Hong et al.  
D527,045 S 8/2006 Lim et al.  
D530,737 S 10/2006 Lim et al.  
D532,043 S 11/2006 Park et al.  
D536,372 S 2/2007 Lim et al.  
D551,700 S 9/2007 Park et al.  
D552,170 S 10/2007 Kim et al.  
D555,195 S 11/2007 Park et al.  
D555,722 S 11/2007 Bae et al.  
D556,253 S 11/2007 Hong et al.  
D556,822 S 12/2007 Hong et al.  
D558,261 S 12/2007 Hong et al.

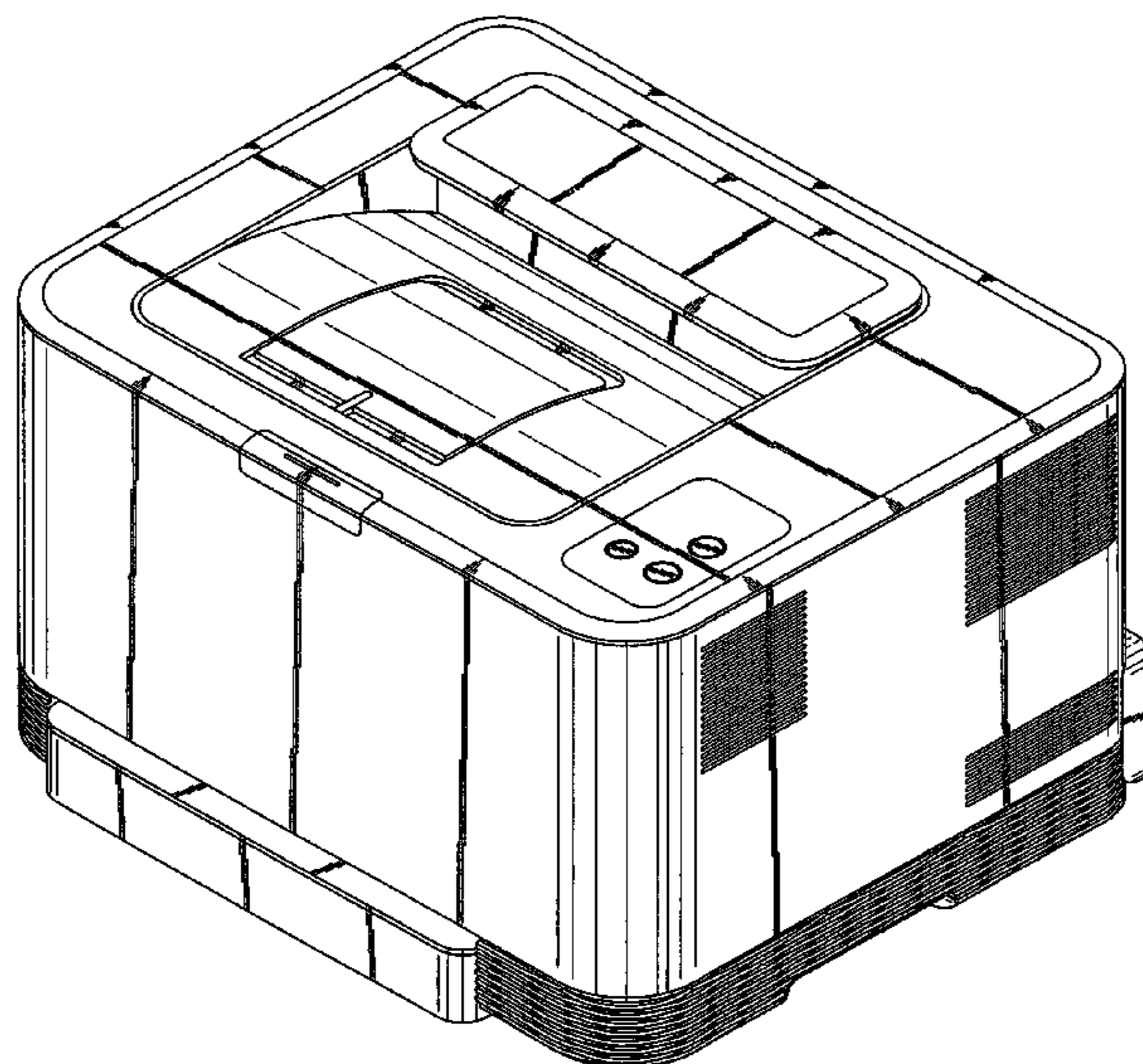
(57) **CLAIM**

The ornamental design for a color laser printer, as shown and described.

**DESCRIPTION**

FIG. 1 is a top front perspective view of a color laser printer showing our new design;  
FIG. 2 is a front elevational view thereof;  
FIG. 3 is a rear elevational view thereof;  
FIG. 4 is a left side elevational view thereof;  
FIG. 5 is a right side elevational view thereof;  
FIG. 6 is a top plan view thereof; and,  
FIG. 7 is a bottom plan view thereof.

**1 Claim, 5 Drawing Sheets**



# US D641,398 S

Page 2

---

## U.S. PATENT DOCUMENTS

D593,149 S 5/2009 Park et al.  
D601,185 S 9/2009 Kim et al.  
D601,186 S 9/2009 Kim et al.  
D607,502 S 1/2010 Lee et al.  
D607,506 S 1/2010 Kim et al.  
D607,925 S 1/2010 Morrison et al.  
D607,927 S 1/2010 Kim et al.  
D607,928 S 1/2010 Kim et al.  
D608,821 S \* 1/2010 Tomono et al. .... D18/50  
D621,441 S 8/2010 Kim  
D622,761 S 8/2010 Kim et al.  
D624,956 S 10/2010 Park et al.  
D624,957 S 10/2010 Park et al.  
D626,588 S 11/2010 Kim et al.  
D632,732 S 2/2011 Park et al.  
D633,139 S 2/2011 Park et al.  
D633,556 S 3/2011 Park et al.

## OTHER PUBLICATIONS

U.S. Appl. No. 29/314,647, Applicant: Ji-Sang Park, et al., filed Apr. 15, 2009 entitled Laser Complex.  
U.S. Appl. No. 29/315,577, Applicant: Hoon-Tae Kim, et al., filed Jul. 7, 2009 entitled Printer.  
U.S. Appl. No. 29/316,763, Applicant: Ji-Sang Park, et al., filed Oct. 29, 2009 entitled Printer.  
U.S. Appl. No. 29/316,761, Applicant: Ji-Sang Park, et al., filed Oct. 29, 2009 entitled Printer.  
U.S. Appl. No. 29/316,762, Applicant: Ji-Sang Park, et al., filed Oct. 29, 2009 entitled Printer.  
U.S. Appl. No. 29/316,974, Applicant: Son-Young Lee, et al., filed Nov. 13, 2009 entitled Color Laser Complex.  
U.S. Appl. No. 29/316,975, Applicant: Chung-Ha Kim, et al., filed Nov. 13, 2009 entitled Color Laser Complex.

\* cited by examiner

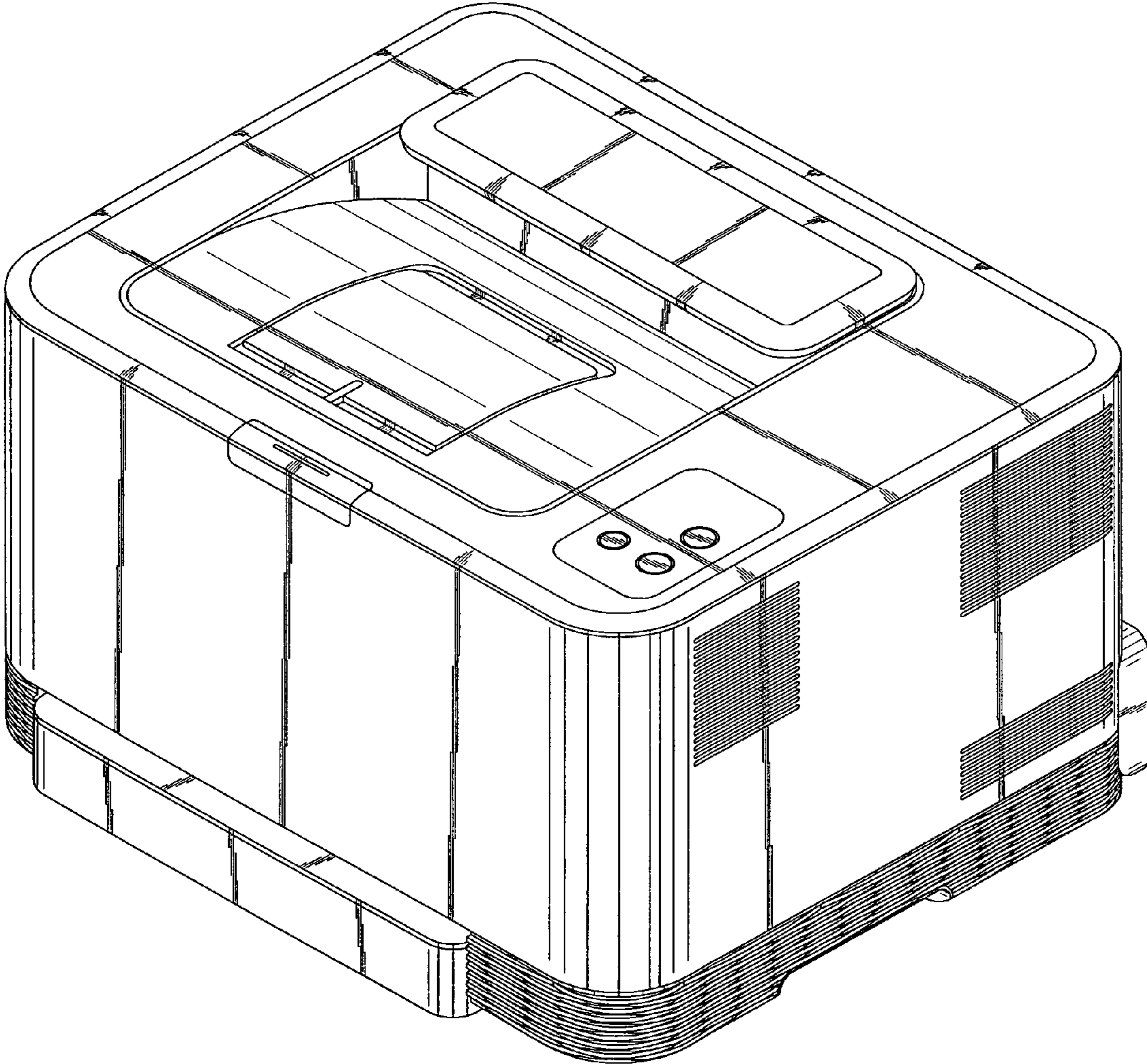


FIG. 1

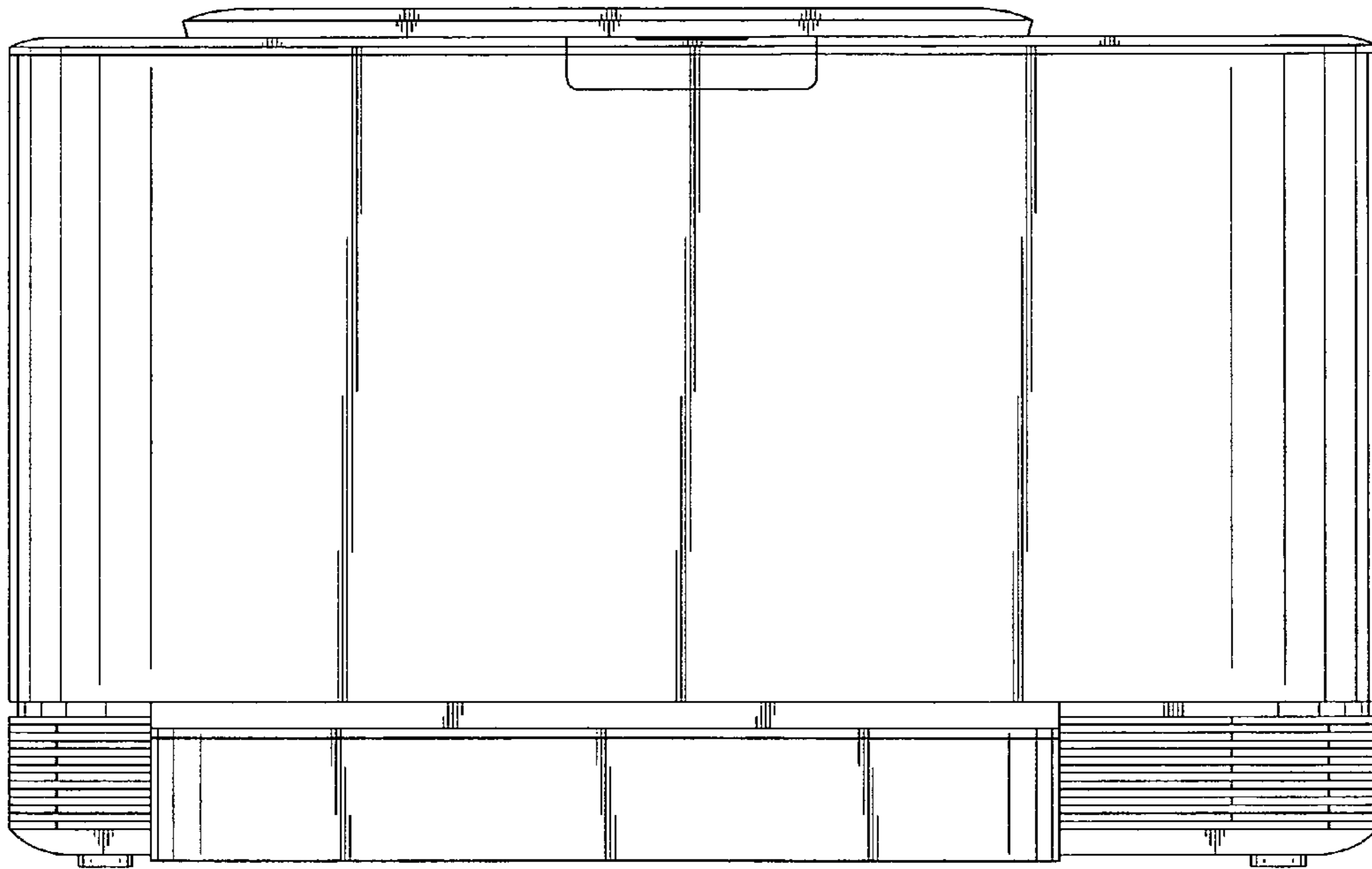


FIG. 2

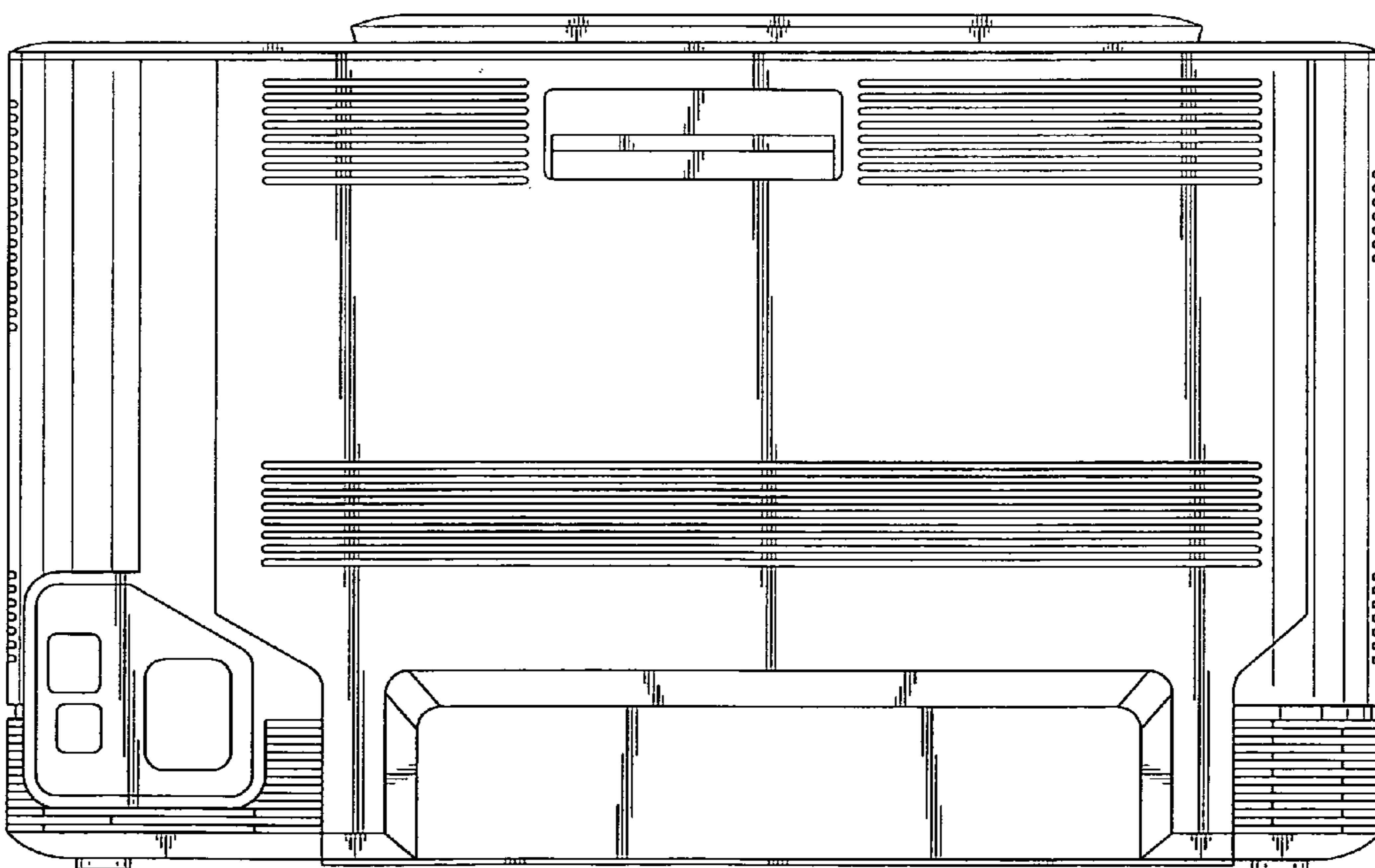


FIG. 3

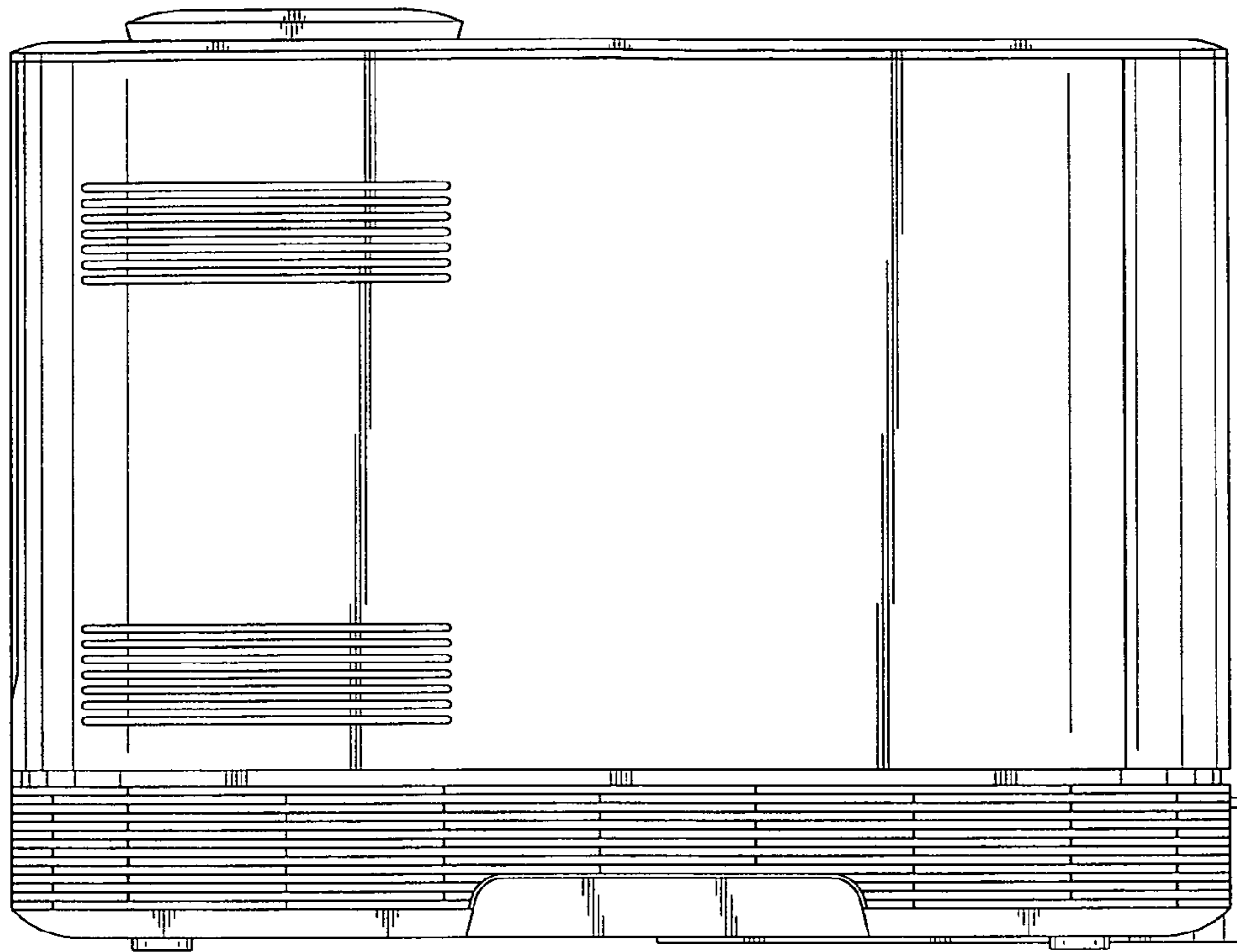


FIG. 4

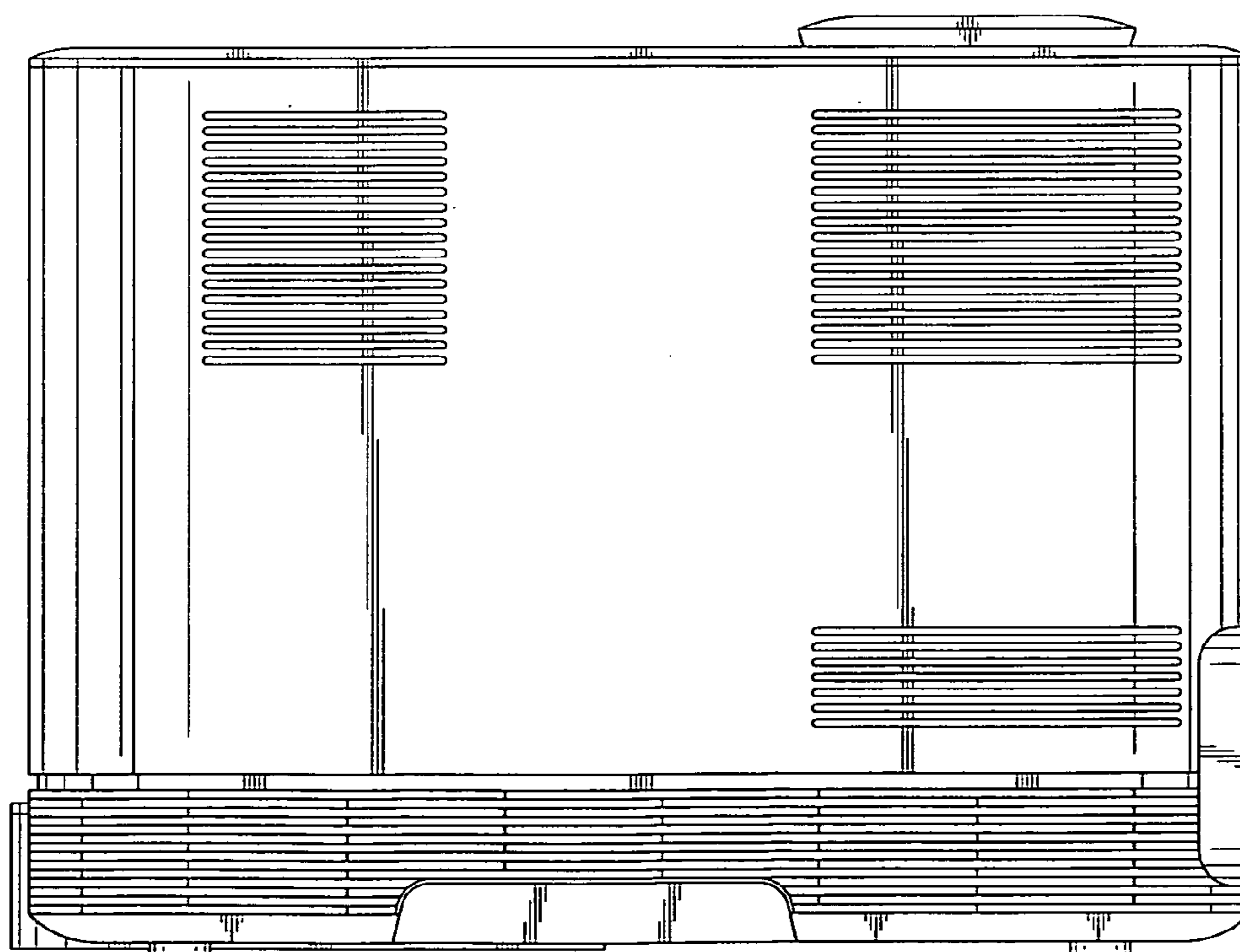


FIG. 5

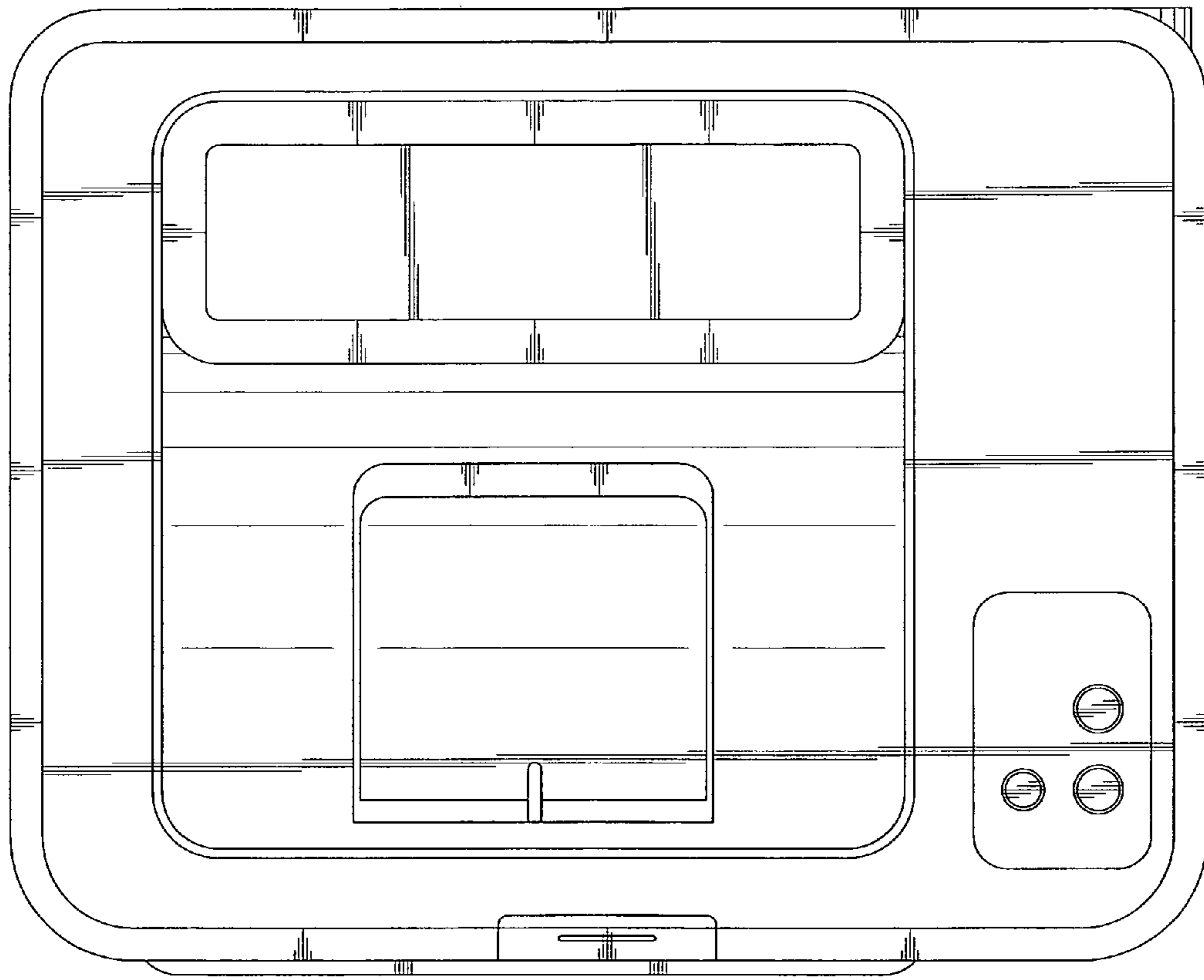


FIG. 6

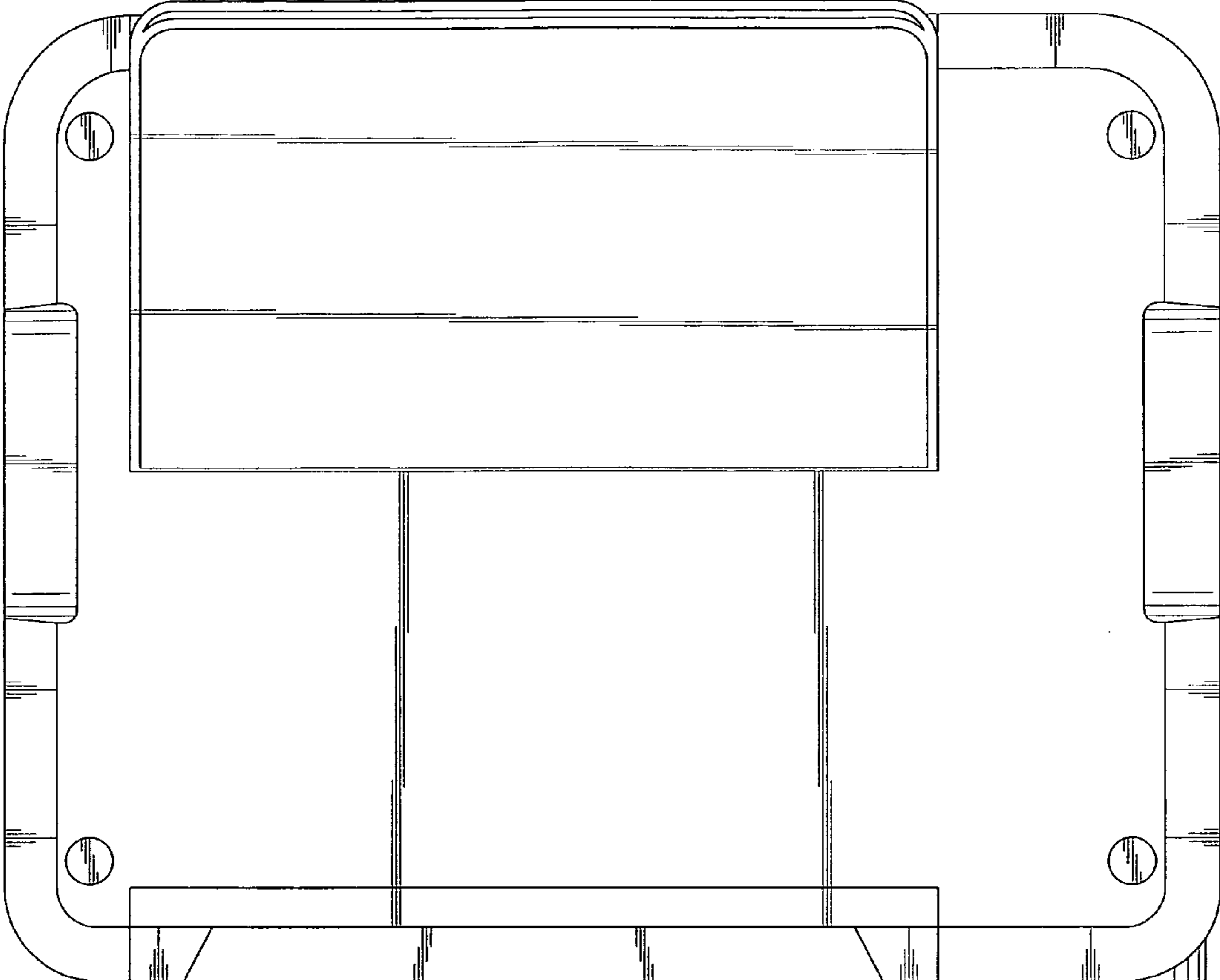


FIG. 7