

US00D641394S

(12) **United States Design Patent**  
**Inada**

(10) **Patent No.:** **US D641,394 S**

(45) **Date of Patent:** **\*\* Jul. 12, 2011**

(54) **TAPE PRINTING MACHINE**

(75) Inventor: **Toshiya Inada**, Nagoya (JP)

(73) Assignee: **Brother Industries, Ltd.**, Nagoya (JP)

(\*\*) Term: **14 Years**

(21) Appl. No.: **29/341,331**

(22) Filed: **Aug. 4, 2009**

(30) **Foreign Application Priority Data**

Mar. 10, 2009 (JP) ..... 2009-005290

(51) **LOC (9) Cl.** ..... **14-02**

(52) **U.S. Cl.** ..... **D18/50**

(58) **Field of Classification Search** ..... D18/14,  
D18/19, 36-37, 50, 54, 54.1, 55; D14/420-425,  
D14/463-470; 400/613, 613.1-613.4, 690.1-690.4,  
400/691-694

See application file for complete search history.

(56) **References Cited**

**U.S. PATENT DOCUMENTS**

D172,906 S \* 8/1954 Sabel et al. .... D18/37  
D193,450 S \* 8/1962 Armstrong et al. .... D18/36  
D194,080 S \* 11/1962 Hanson et al. .... D18/37

D362,673 S \* 9/1995 Yamamoto ..... D18/19  
D474,805 S \* 5/2003 Gotham et al. .... D18/50  
D528,587 S \* 9/2006 Nakaeda ..... D18/19  
D544,530 S \* 6/2007 Omuro et al. .... D18/50  
D558,817 S \* 1/2008 Katayama ..... D18/19  
D579,043 S \* 10/2008 Hattori et al. .... D18/50

\* cited by examiner

*Primary Examiner* — Cathy A MacCormac

(74) *Attorney, Agent, or Firm* — Oliff & Berridge PLC

(57) **CLAIM**

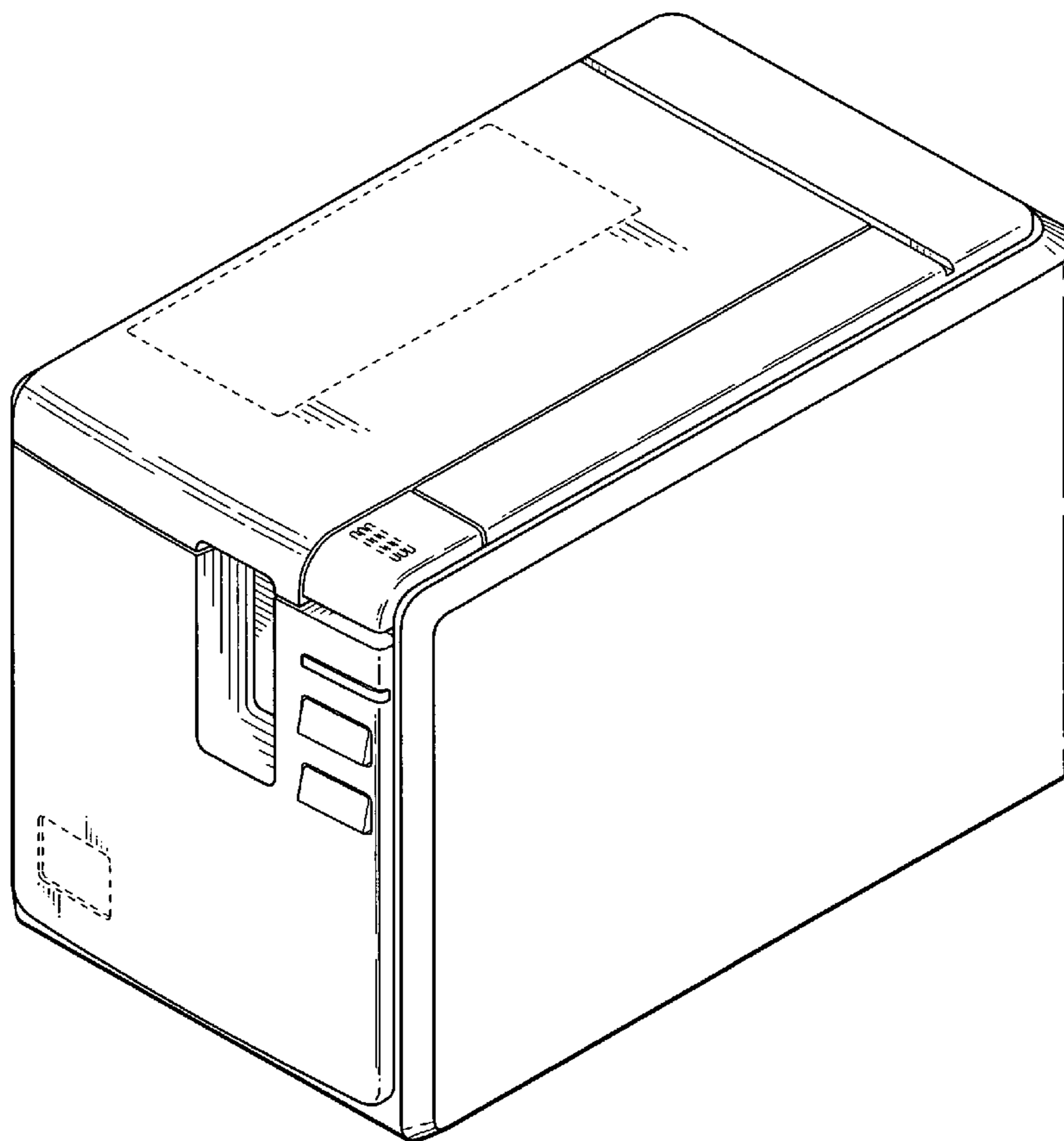
The ornamental design for a tape printing machine, as shown and described.

**DESCRIPTION**

FIG. 1 is a perspective view of a tape printing machine;  
FIG. 2 is a front view thereof;  
FIG. 3 is a top view thereof;  
FIG. 4 is a right-side view thereof;  
FIG. 5 is a left-side view thereof;  
FIG. 6 is a rear view thereof;  
FIG. 7 is a bottom view thereof; and,  
FIG. 8 is a cross-sectional view thereof taken along the line  
8—8 of FIG. 2.

The broken lines depict environmental subject matter only and form no part of the claimed design.

**1 Claim, 7 Drawing Sheets**



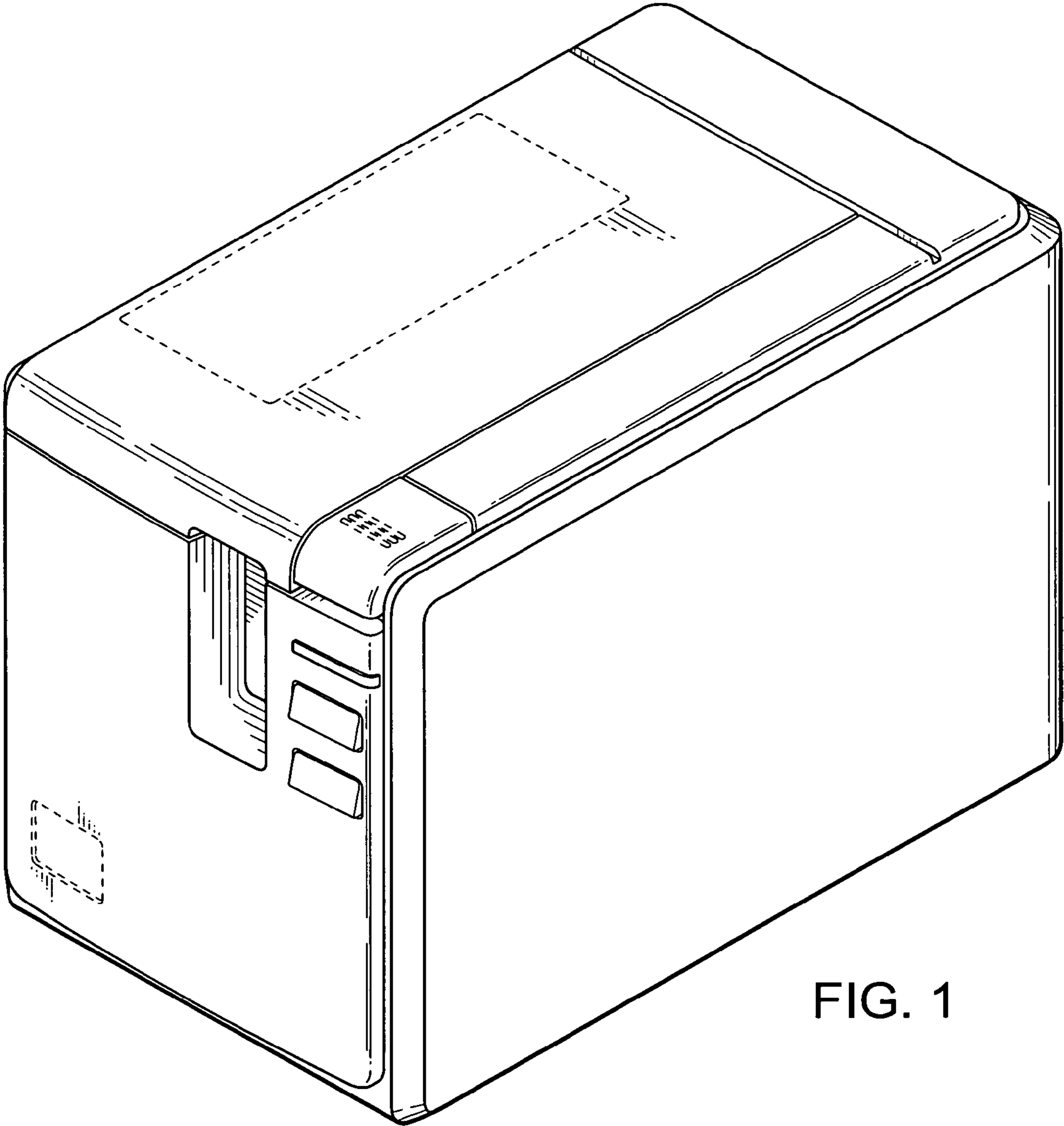


FIG. 1

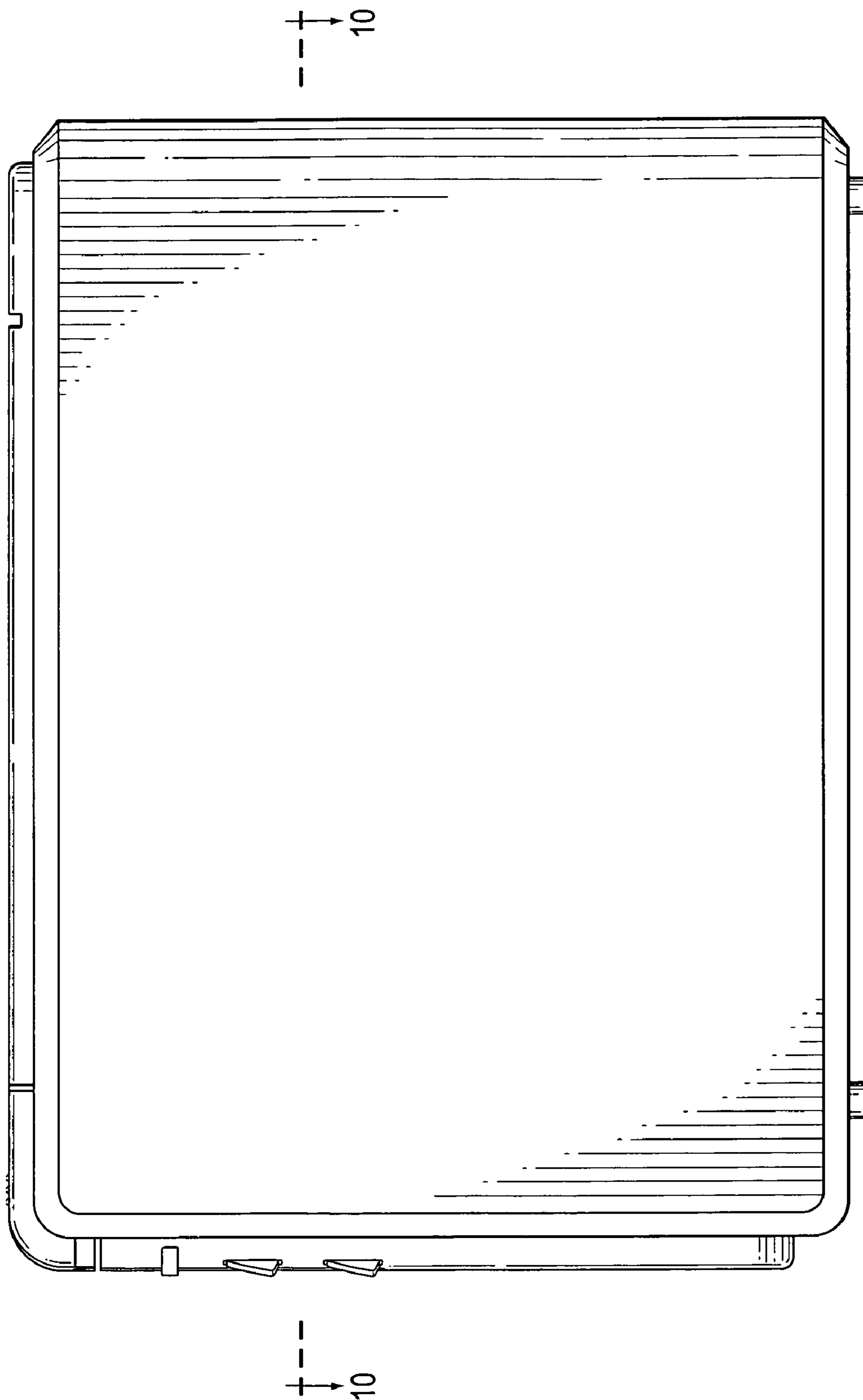


FIG. 2

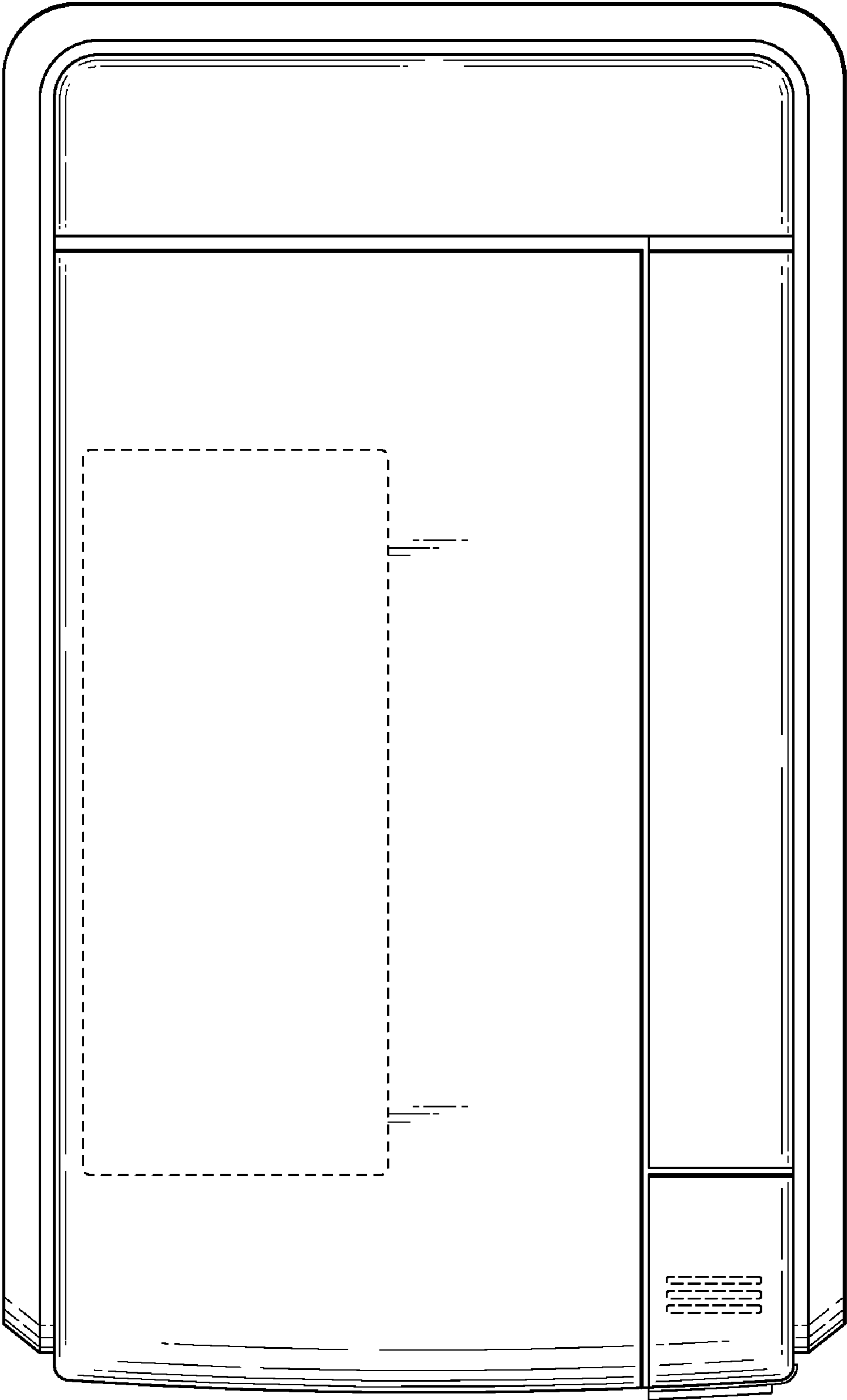


FIG. 3

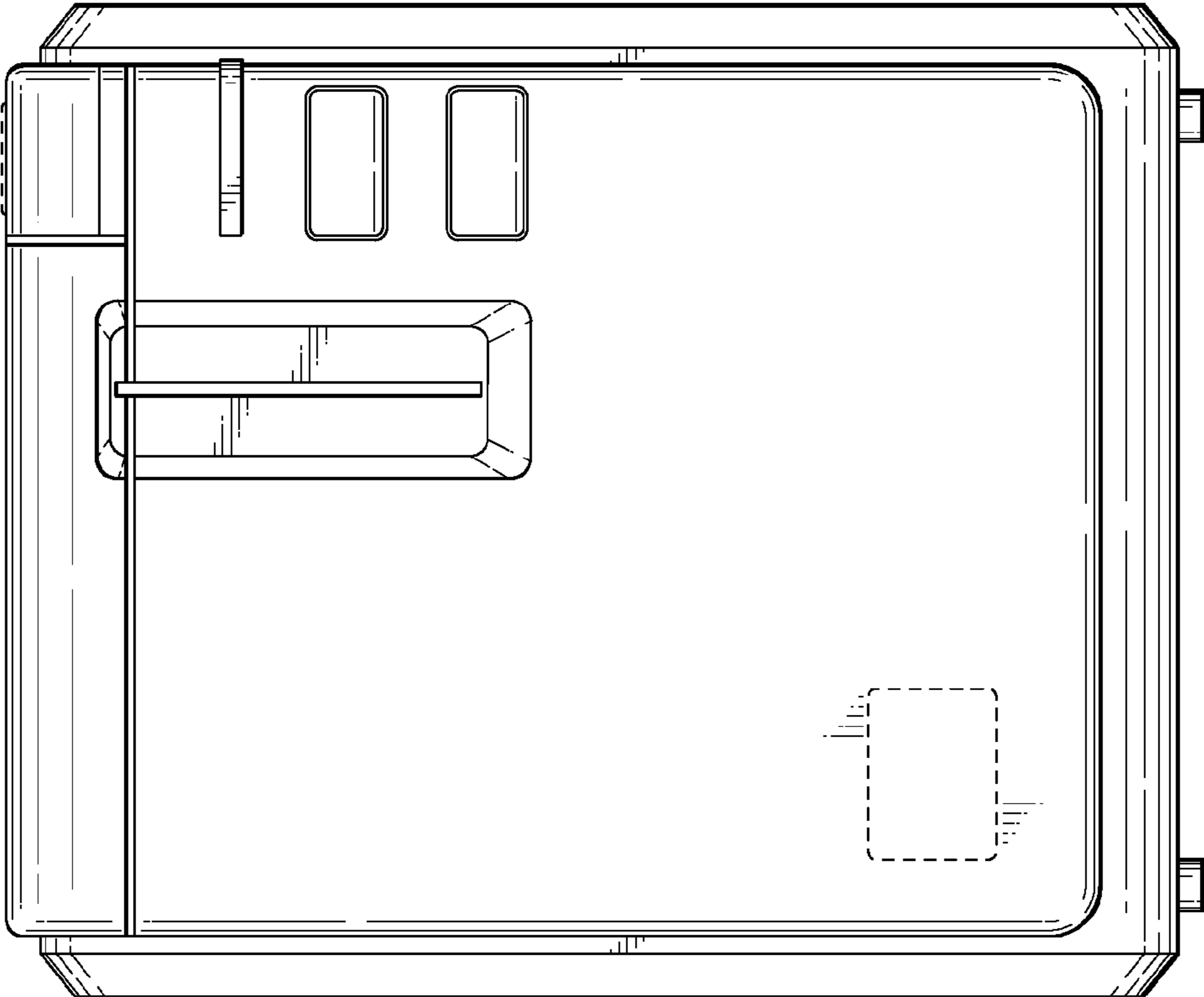


FIG. 5

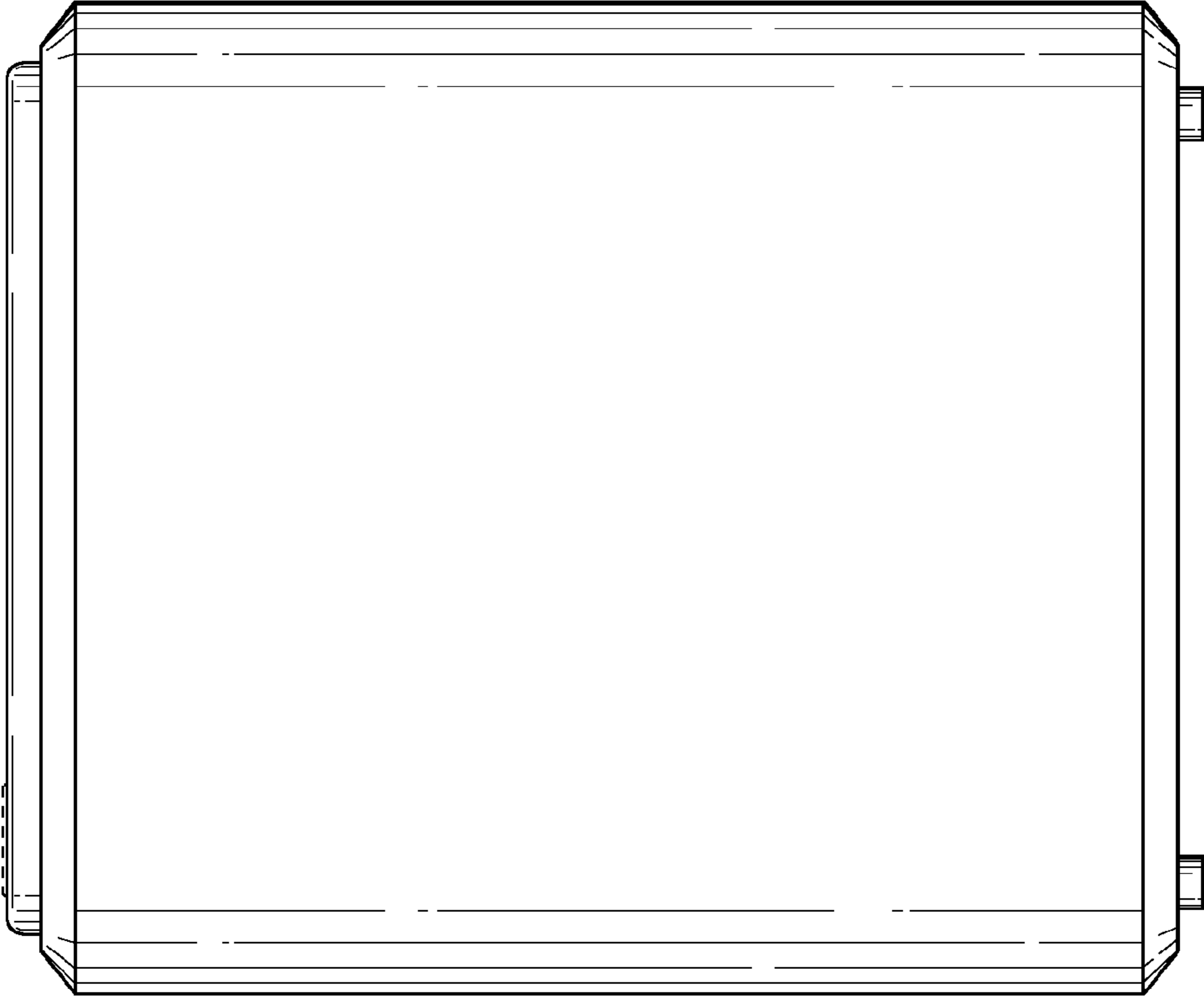


FIG. 4

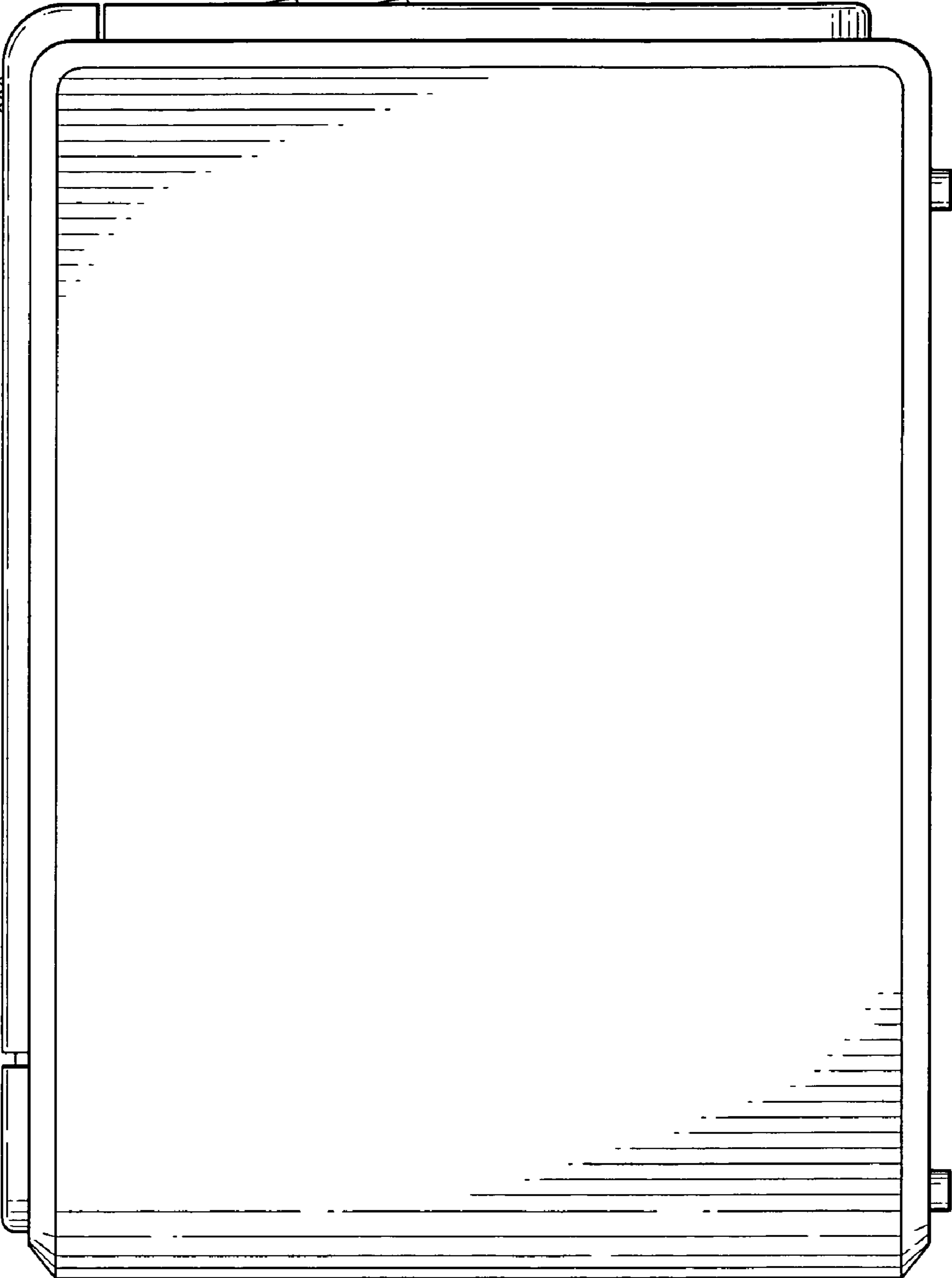


FIG. 6

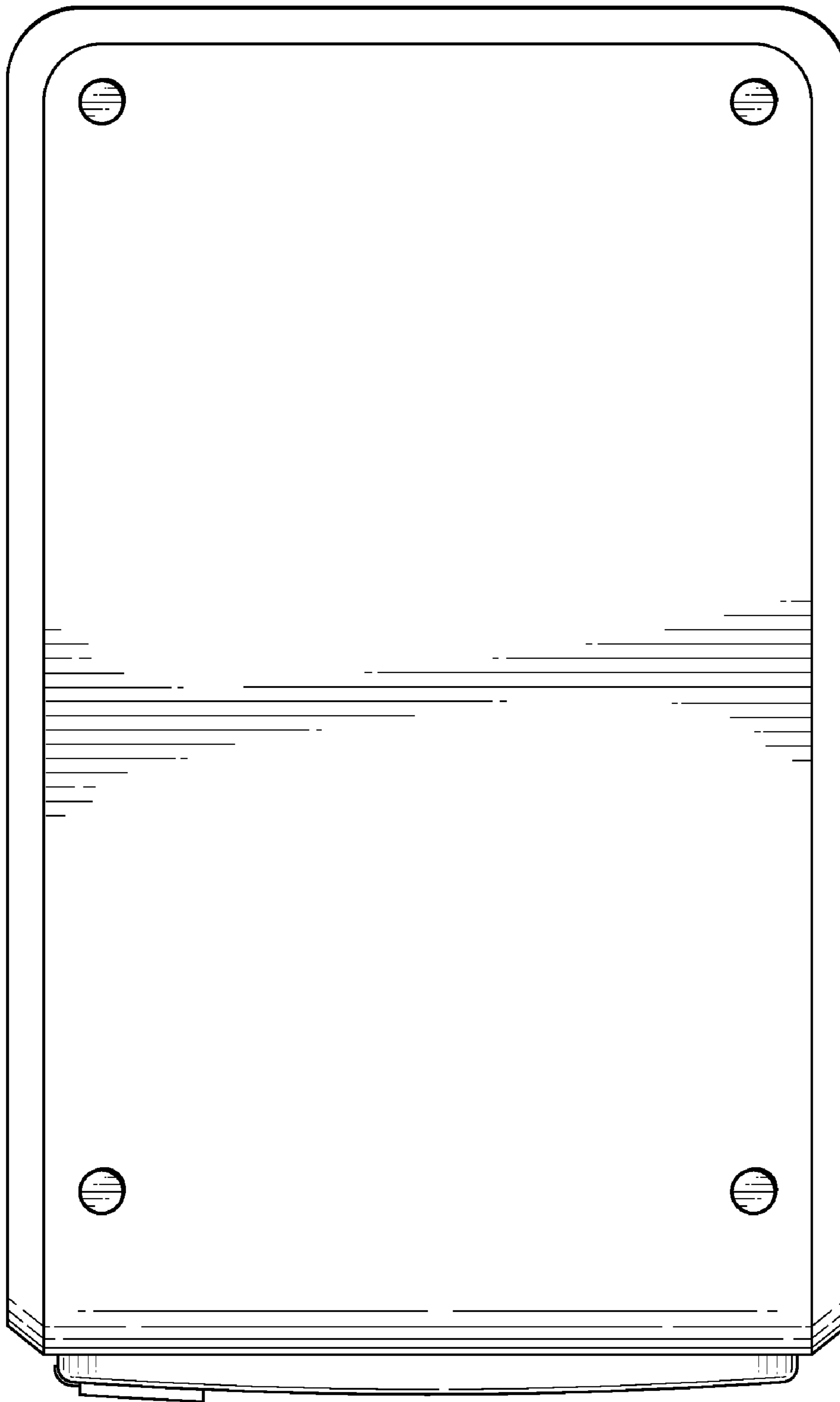


FIG. 7

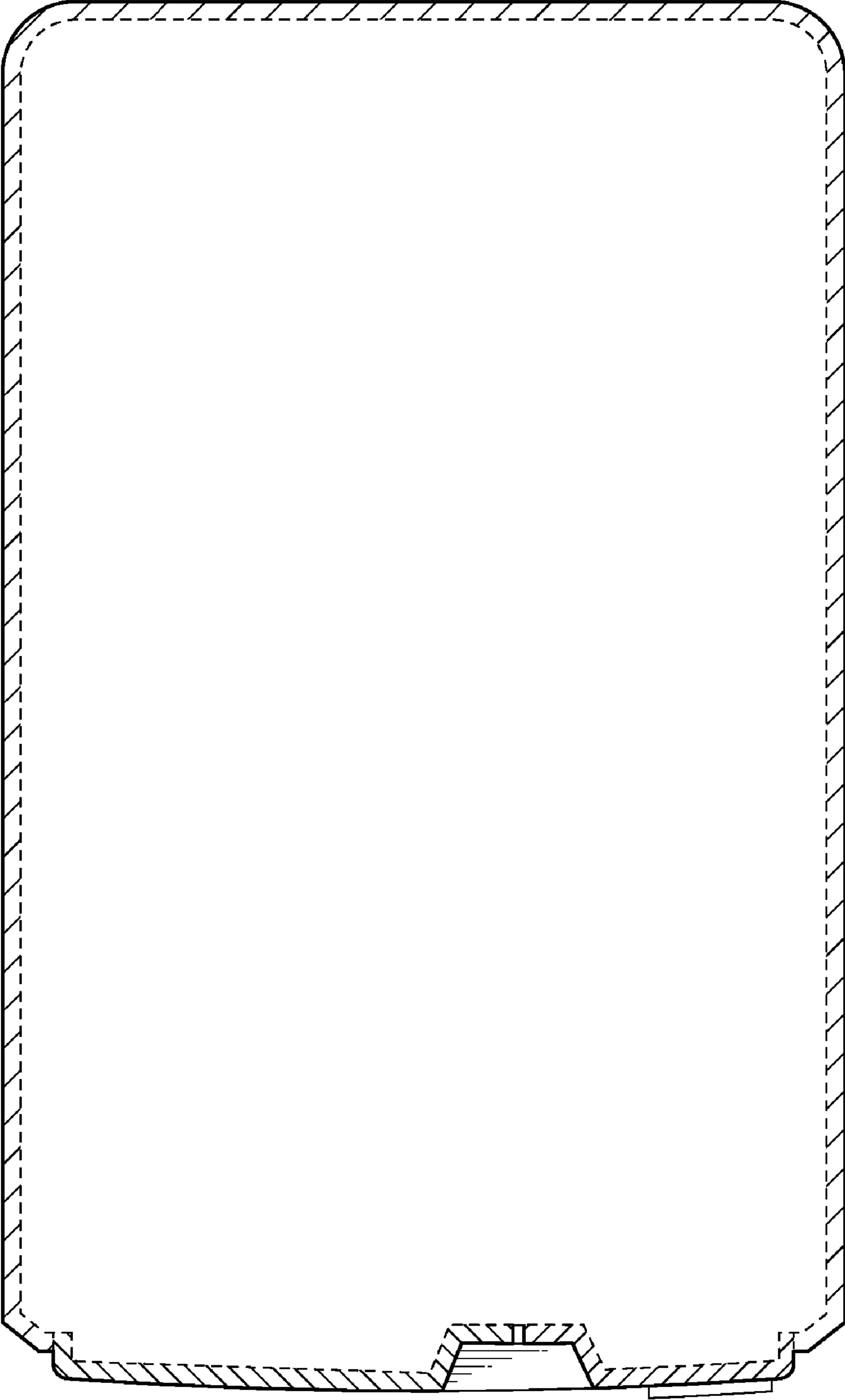


FIG. 8