



US00D641393S

(12) **United States Design Patent**  
**Kim et al.**

(10) **Patent No.:** **US D641,393 S**  
(45) **Date of Patent:** **\*\* Jul. 12, 2011**

(54) **PRINTER**

(75) Inventors: **Hoon-Tae Kim**, Seoul (KR); **Gisuke Ota**, Seoul (KR); **Bong-Uk Lim**, Kyunggi-do (KR); **Yun-Gi Hong**, Kyunggi-do (KR)

(73) Assignee: **Samsung Electronics Co., Ltd.**, Suwon, Kyunggi-Do (KR)

(\*\*) Term: **14 Years**

(21) Appl. No.: **29/315,577**

(22) Filed: **Jul. 7, 2009**

(51) **LOC (9) Cl.** ..... **18-02**

(52) **U.S. Cl.** ..... **D18/14; D18/15**

(58) **Field of Classification Search** ..... D18/14, D18/15-21, 50, 51, 36; D14/308; 101/327, 101/333; 400/88; 347/109; 358/1.118

See application file for complete search history.

(56) **References Cited**

**U.S. PATENT DOCUMENTS**

3,795,192	A *	3/1974	Robertson	101/368
3,880,079	A *	4/1975	Klapholz	101/334
D247,643	S *	3/1978	Aremka et al.	D18/53
D265,909	S *	8/1982	Hatanaka	D18/34.6
D272,738	S *	2/1984	Best	D14/308
D276,724	S *	12/1984	Hara et al.	D14/308
D287,675	S *	1/1987	Janda	D6/432
4,949,283	A *	8/1990	Yamauchi et al.	358/1.14
4,996,921	A *	3/1991	Hong	101/333
D326,867	S	6/1992	Kwak	
D342,966	S *	1/1994	Carter	D18/53
D359,506	S	6/1995	Lee	
5,593,236	A *	1/1997	Bobry	400/88
D378,218	S	2/1997	Hong et al.	
5,634,730	A *	6/1997	Bobry	400/88
5,853,251	A *	12/1998	Imai	400/88
6,062,686	A *	5/2000	Kinoshita et al.	347/109
6,229,565	B1 *	5/2001	Bobry	348/207.99

6,241,407	B1 *	6/2001	Huggins et al.	400/611
D447,766	S *	9/2001	Obara et al.	D18/14
6,312,124	B1 *	11/2001	Desormeaux	347/109
6,846,119	B2 *	1/2005	Walling	400/88
6,892,638	B2 *	5/2005	Sculler	101/333
6,991,332	B1 *	1/2006	Fan et al.	347/109
D527,045	S	8/2006	Lim et al.	
D530,737	S	10/2006	Lim et al.	

(Continued)

**OTHER PUBLICATIONS**

47 Silver Winning Designs, Bloomberg Business Week, posting date Jul. 29, 2009, [online], [site visited Feb. 23-25, 2011]. Available from Internet ,<URL: [http://images.businessweek.com/ss/09/07/0729\\_IDEA\\_awards\\_silver/5.htm](http://images.businessweek.com/ss/09/07/0729_IDEA_awards_silver/5.htm)>.\*  
U.S. Appl. No. 29/294,097, Applicant: Hee-Yul Kim, et al., filed Dec. 21, 2007 entitled Laser Printer.  
U.S. Appl. No. 29/294,093, Applicant: Hee-Yul Kim, et al, filed Dec. 21, 2007 entitled Laser Printer.  
U.S. Appl. No. 29/307,999, Applicant: Son-Young Lee, et al., filed May 22, 2008 entitled Laser Printer.

(Continued)

*Primary Examiner* — Jeff D Asch

(74) *Attorney, Agent, or Firm* — Flynn, Thiel, Boutell & Tanis, P.C.

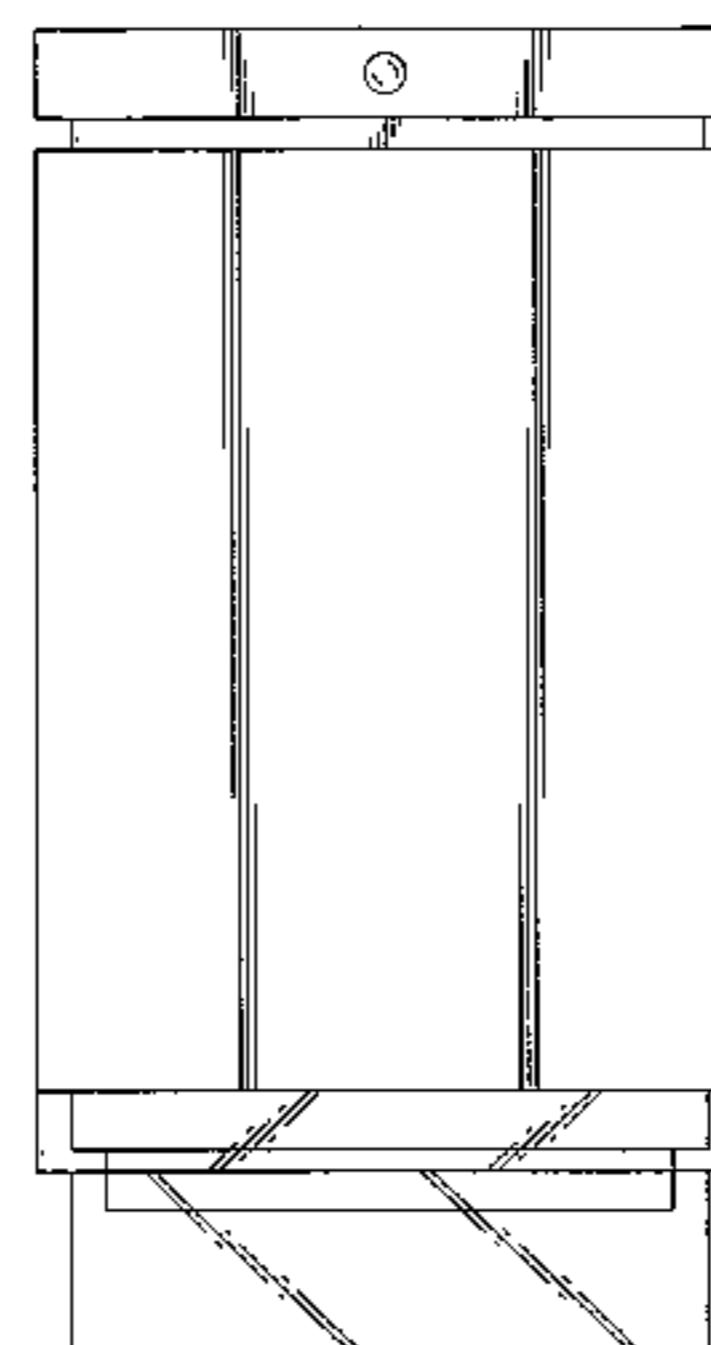
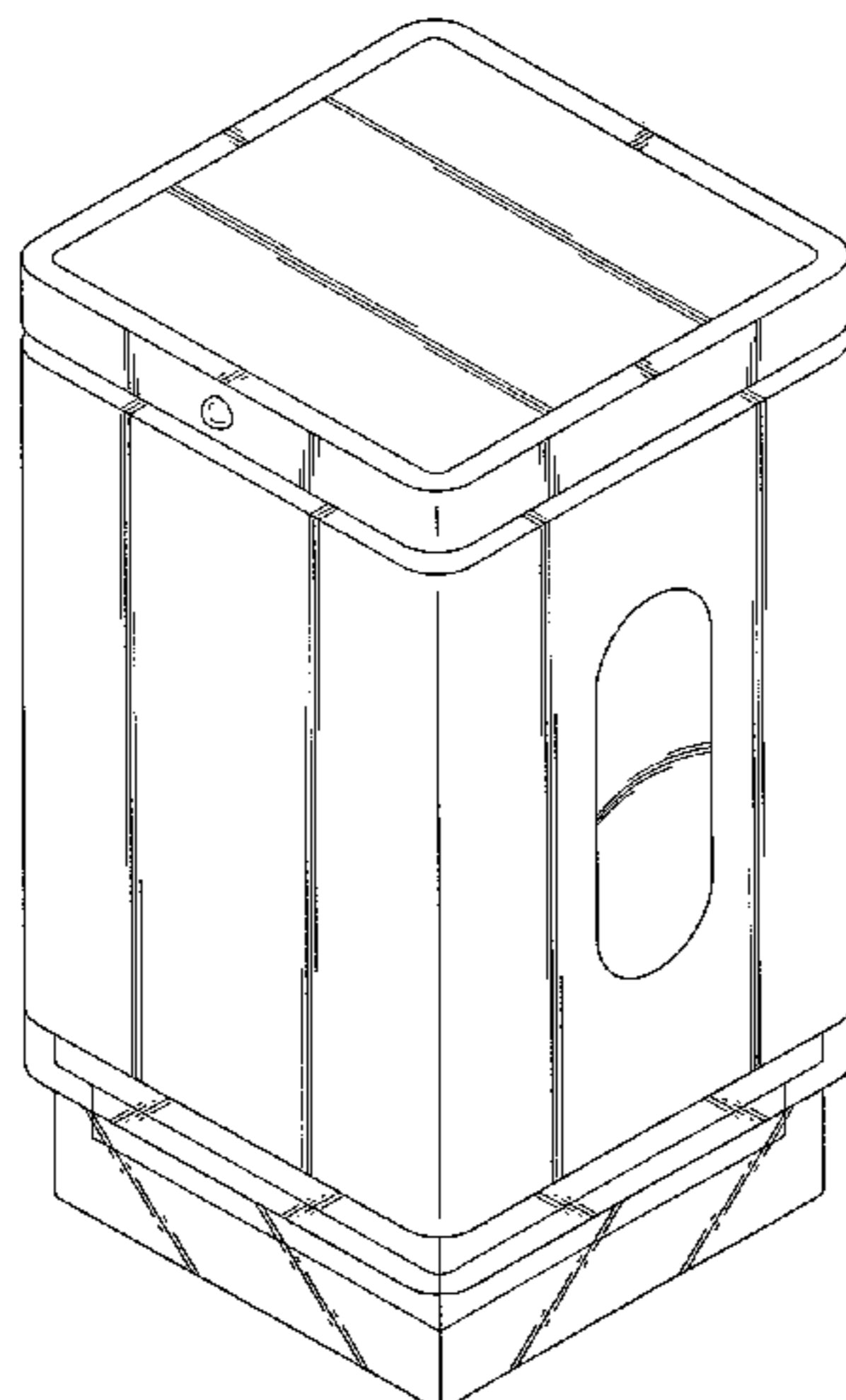
(57) **CLAIM**

The ornamental design for a printer, as shown and described.

**DESCRIPTION**

FIG. 1 is a top front perspective view of a printer showing our new design;  
FIG. 2 is a front elevational view thereof;  
FIG. 3 is a rear elevational view thereof;  
FIG. 4 is a left side elevational view thereof;  
FIG. 5 is a right side elevational view thereof;  
FIG. 6 is a top plan view thereof; and,  
FIG. 7 is a bottom plan view thereof.

**1 Claim, 4 Drawing Sheets**



# US D641,393 S

Page 2

## U.S. PATENT DOCUMENTS

D532,043 S 11/2006 Park et al.  
D536,372 S 2/2007 Lim et al.  
D543,233 S \* 5/2007 Inaguma ..... D18/15  
D551,700 S 9/2007 Park et al.  
D552,170 S 10/2007 Kim et al.  
D555,195 S 11/2007 Park et al.  
D555,722 S 11/2007 Bae et al.  
D556,253 S 11/2007 Hong et al.  
D556,822 S 12/2007 Hong et al.  
D558,261 S 12/2007 Hong et al.  
D558,262 S 12/2007 Hong et al.  
D558,820 S 1/2008 Hong et al.  
D561,248 S 2/2008 Lee et al.  
D561,824 S 2/2008 Park et al.  
D562,378 S 2/2008 Kim et al.  
D573,178 S 7/2008 Lee et al.  
D573,179 S 7/2008 Bae et al.  
D580,483 S 11/2008 Park et al.  
D581,976 S 12/2008 Park et al.  
7,461,934 B2 \* 12/2008 Silverbrook ..... 347/109  
D584,344 S 1/2009 Lee et al.  
D584,347 S 1/2009 Hong et al.  
D584,348 S 1/2009 Boo et al.  
D586,385 S 2/2009 Kim et al.  
D593,149 S 5/2009 Park et al.  
D595,340 S \* 6/2009 Kida et al. .... D18/15  
7,757,605 B2 \* 7/2010 Kobayashi et al. .... 101/111  
D620,973 S \* 8/2010 Fukasawa ..... D18/15

2004/0246327 A1\* 12/2004 Elzi ..... 347/109  
2007/0166092 A1\* 7/2007 Liu et al. .... 400/613  
2008/0198215 A1\* 8/2008 Nopper et al. .... 347/109

## OTHER PUBLICATIONS

U.S. Appl. No. 29/308,001, Applicant: Kyong-Hwan Kim, et al., filed May 22, 2008 entitled Color Laser Printer.  
U.S. Appl. No. 29/308,018, Applicant: Kyong-Hwan Kim, et al., filed May 22, 2008 entitled Laser Printer.  
U.S. Appl. No. 29/308,000, Applicant: Kyong-Hwan Kim, et al., filed May 22, 2008 entitled Laser Printer.  
U.S. Appl. No. 29/310,435, Applicant: Jasper Morrison, et al., filed Aug. 15, 2008 entitled Color Laser Printer.  
U.S. Appl. No. 29/313,583, Applicant: Jong-Kyu Kim, et al., filed Jan. 23, 2009 entitled Copy Machine Attached by Function of Scanner and Printer.  
U.S. Appl. No. 29/313,861, Applicant: Hee-Yul Kim, filed Feb. 17, 2009 entitled Copy Machine Attached by Function of Scanner and Printer.  
U.S. Appl. No. 29/314,206, Applicant: Ji-Sang Park, et al., filed Mar. 13, 2009 entitled Laser Printer.  
U.S. Appl. No. 29/314,647, Applicant: Ji-Sang Park, et al., filed Apr. 15, 2009 entitled Laser Complex.  
U.S. Appl. No. 29/314,642, Applicant: Ji-Sang Park, et al., filed Apr. 15, 2009 entitled Laser Printer.

\* cited by examiner

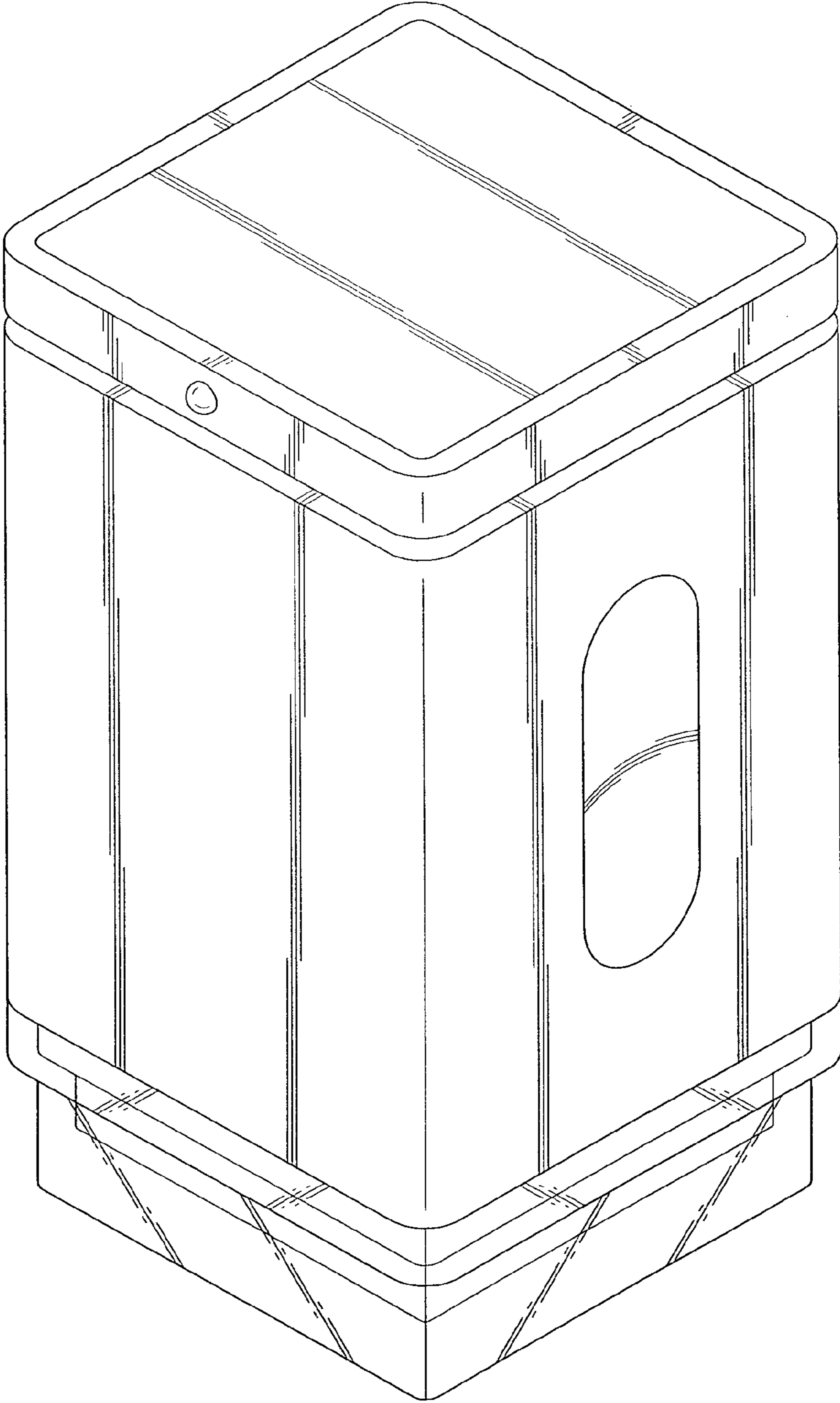


FIG. 1

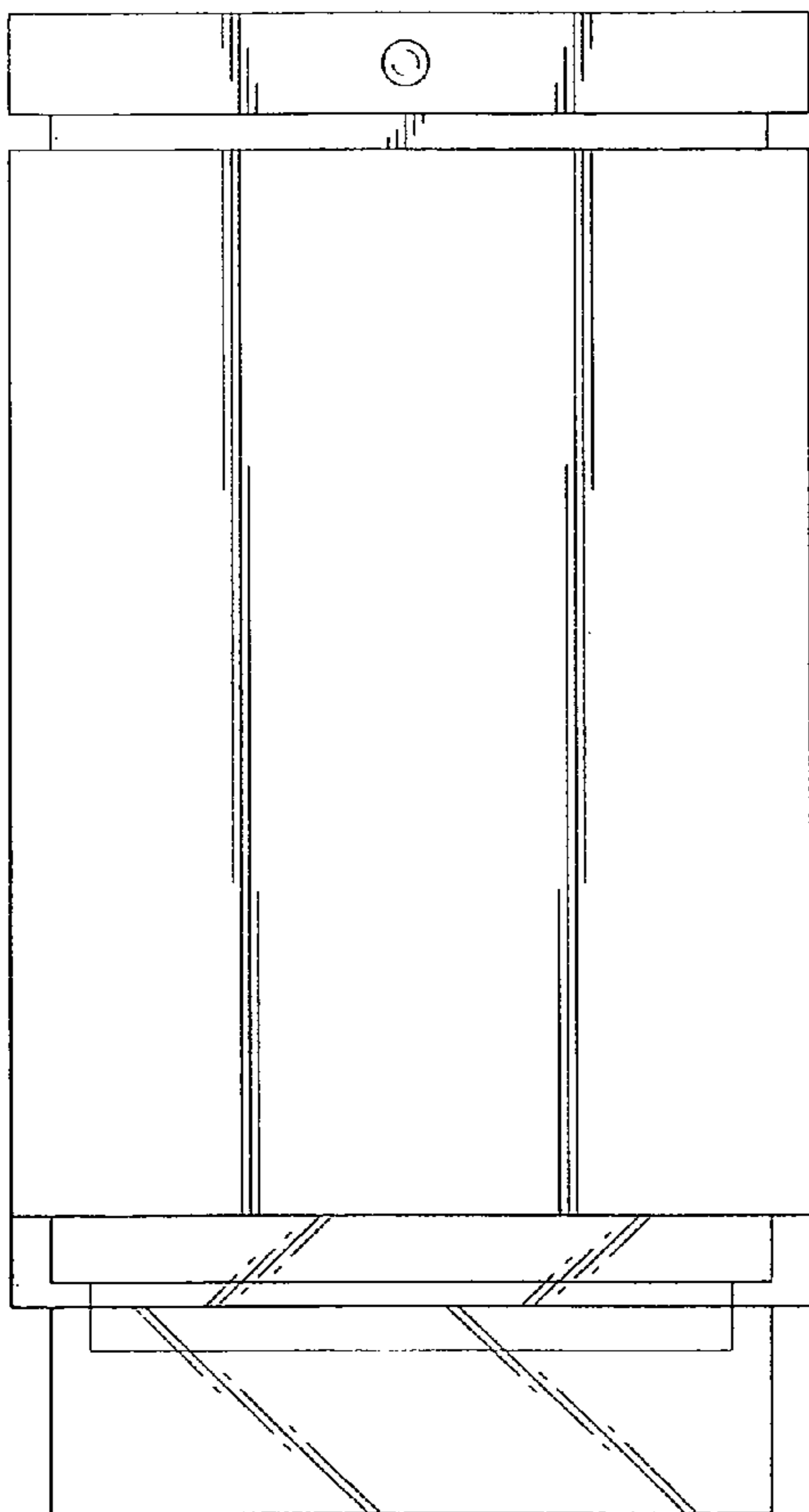


FIG. 2

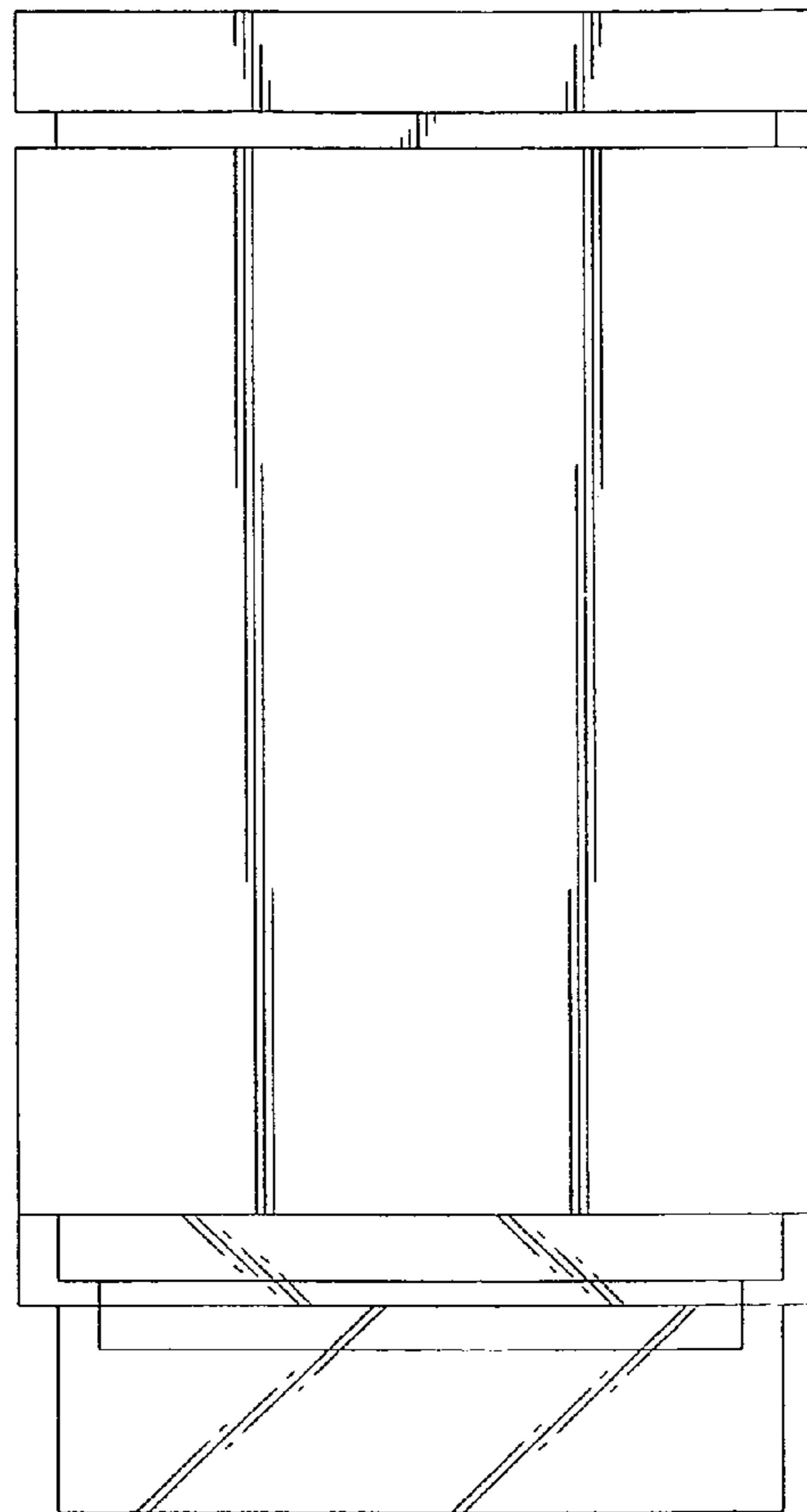


FIG. 3

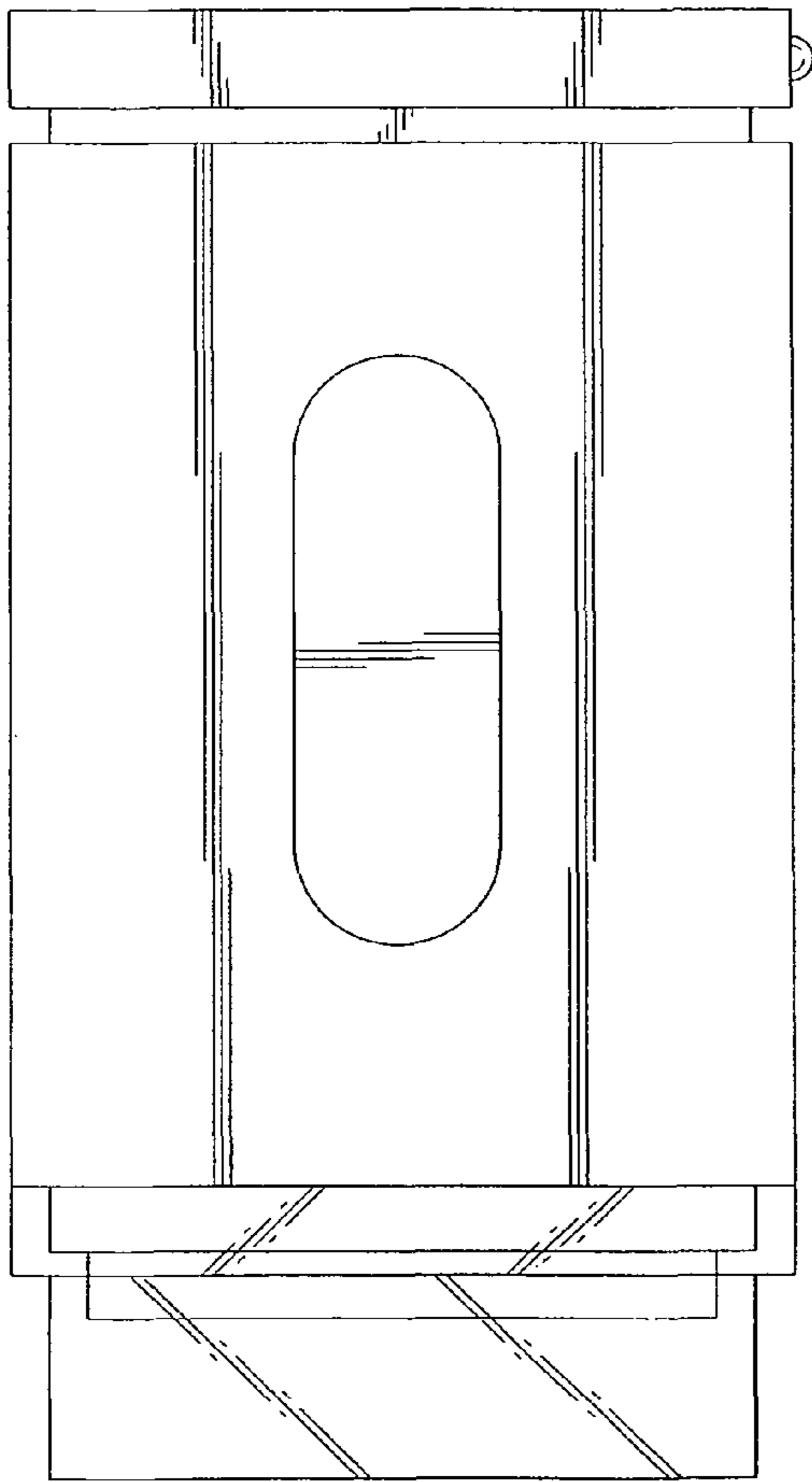


FIG. 4

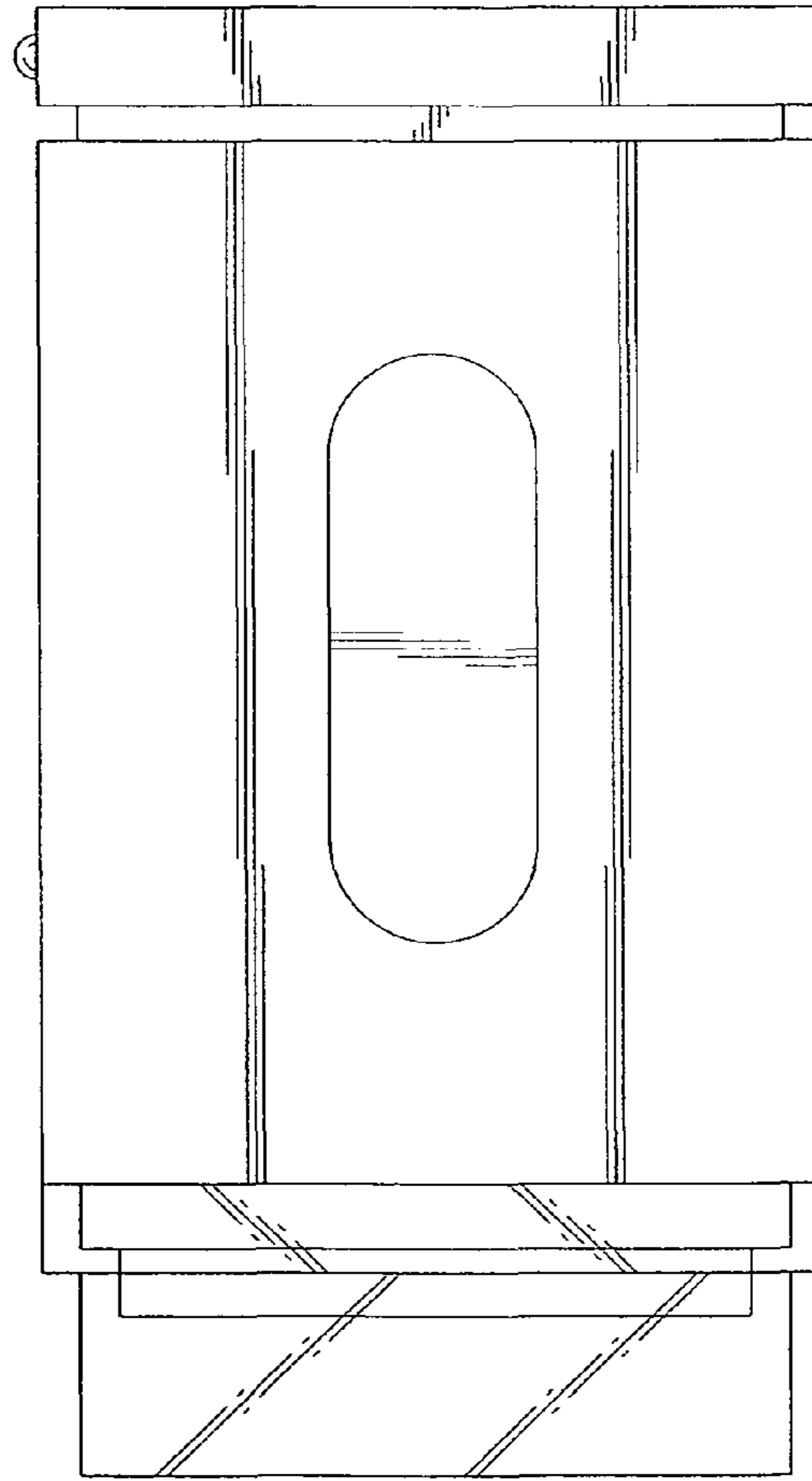


FIG. 5

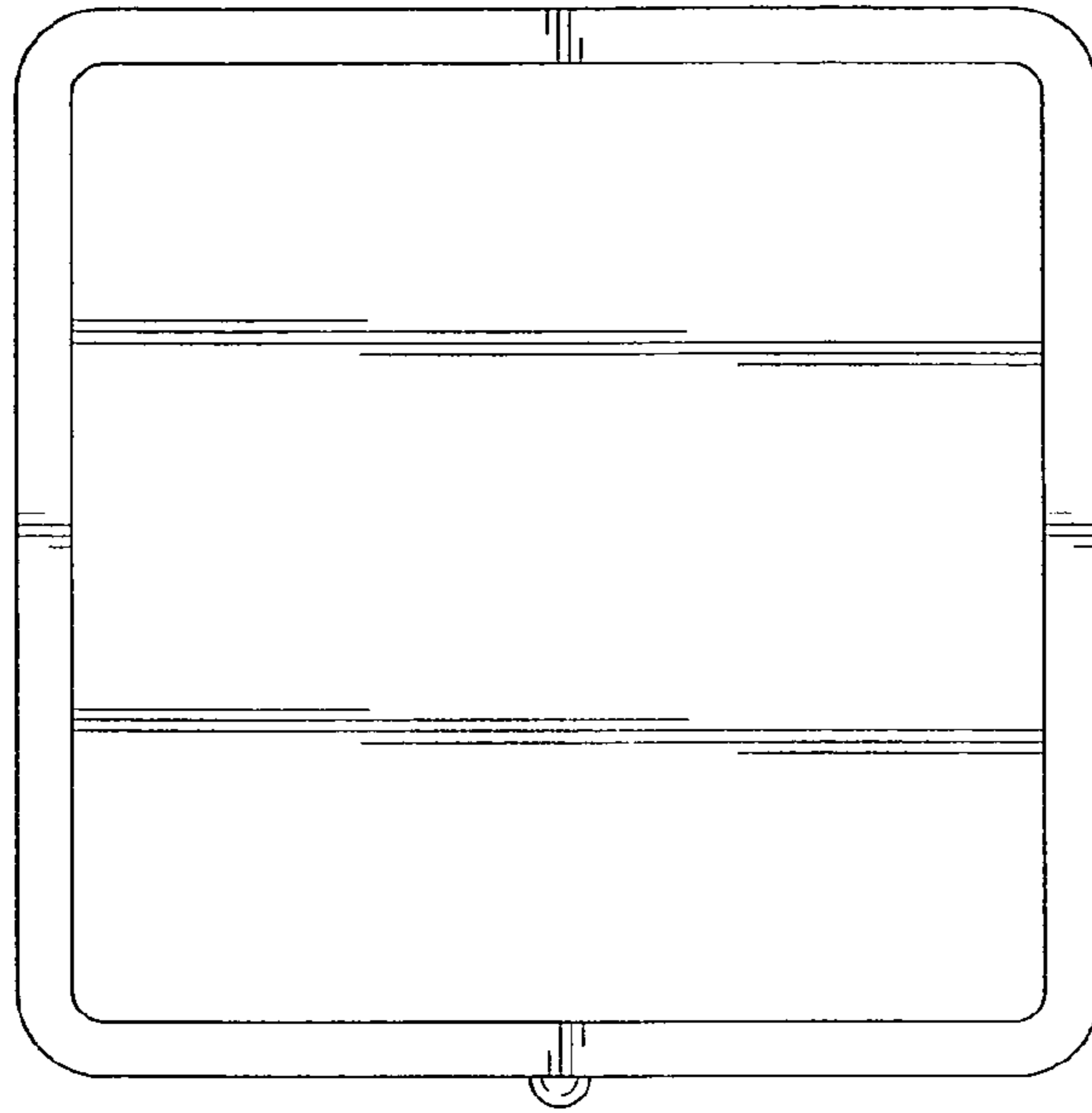


FIG. 6

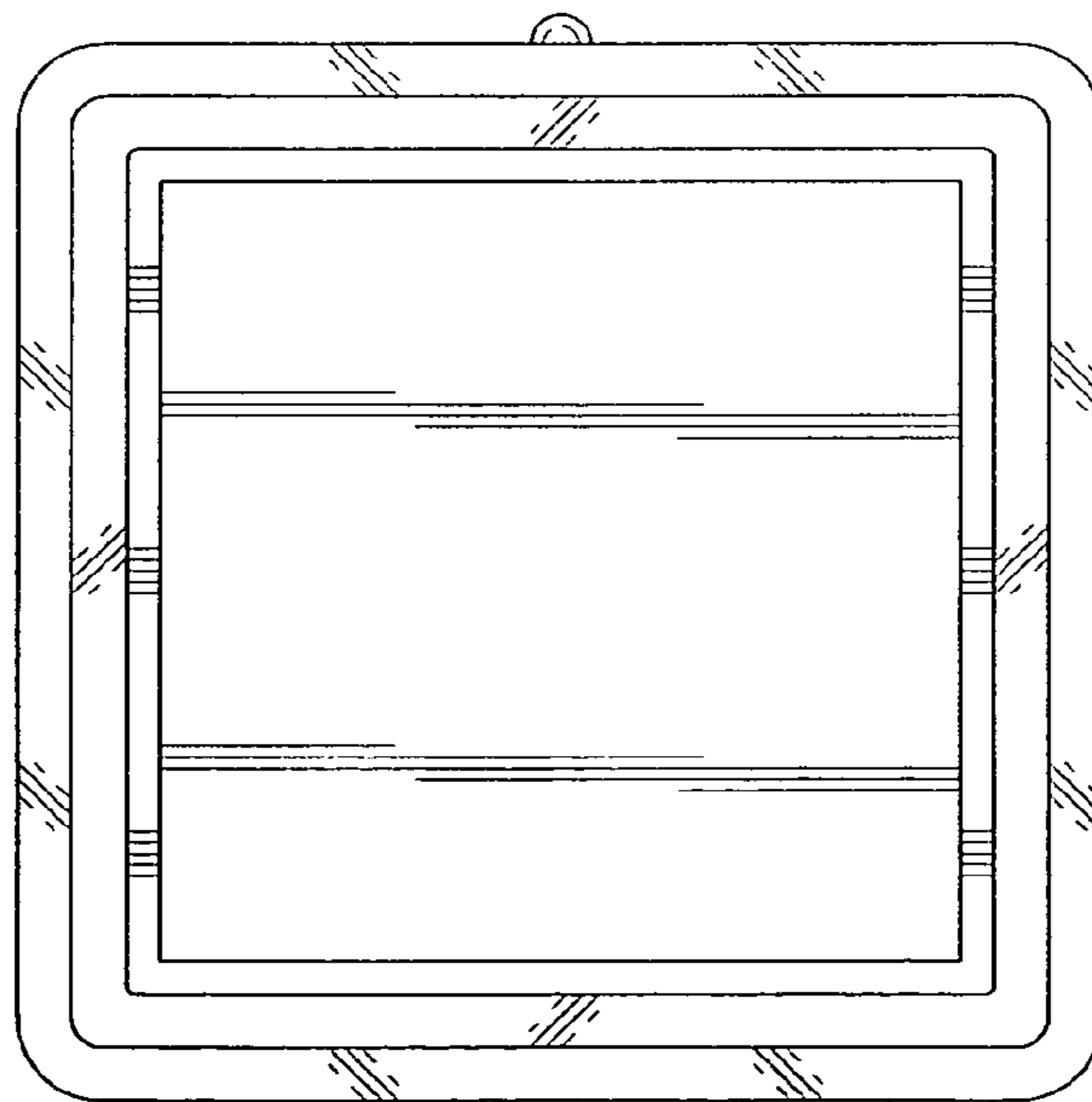


FIG. 7