



US00D641390S

(12) **United States Design Patent**  
**Dastagir**

(10) **Patent No.:** **US D641,390 S**  
(45) **Date of Patent:** **\*\* \*Jul. 12, 2011**

(54) **DUAL DISPLAY CAMERA**

(76) Inventor: **Zahir Dastagir**, Merrick, NY (US)

(\*) Notice: This patent is subject to a terminal disclaimer.

(\*\*) Term: **14 Years**

(21) Appl. No.: **29/343,628**

(22) Filed: **Sep. 16, 2009**

(51) **LOC (9) Cl.** ..... **16-05**

(52) **U.S. Cl.** ..... **D16/219**

(58) **Field of Classification Search** ..... D16/200–204,  
D16/208, 218, 219; 348/373–376; 358/906;  
396/535–541

See application file for complete search history.

(56) **References Cited**

**U.S. PATENT DOCUMENTS**

4,456,931	A *	6/1984	Toyoda et al.	.....	358/906
5,729,289	A *	3/1998	Etoh	.....	348/373
D394,444	S	5/1998	Hoshi et al.		
6,529,680	B1 *	3/2003	Broberg	.....	358/906
6,788,894	B2 *	9/2004	Suzuki et al.	.....	396/535
7,173,665	B2	2/2007	Kawasaki et al.		
D542,322	S	5/2007	Miyashita		
D567,276	S *	4/2008	Sato et al.	.....	D16/202
D567,836	S *	4/2008	Sato	.....	D16/202
7,528,885	B2 *	5/2009	Chou	.....	348/373
7,643,085	B2 *	1/2010	Saiki et al.	.....	348/374
2006/0098116	A1 *	5/2006	Manico et al.	.....	348/373
2006/0119709	A1	6/2006	Morimoto		
2006/0139457	A1 *	6/2006	Liao	.....	348/373

**FOREIGN PATENT DOCUMENTS**

JP 2006-229524 \* 8/2006

**OTHER PUBLICATIONS**

Photo Industry Reporter, vol. 17, No. 12, p. 2, Sep. 2009.

\* cited by examiner

*Primary Examiner* — Adir Aronovich

(74) *Attorney, Agent, or Firm* — Hoffman & Baron, LLP

(57) **CLAIM**

The ornamental design for the dual display camera, as shown and described.

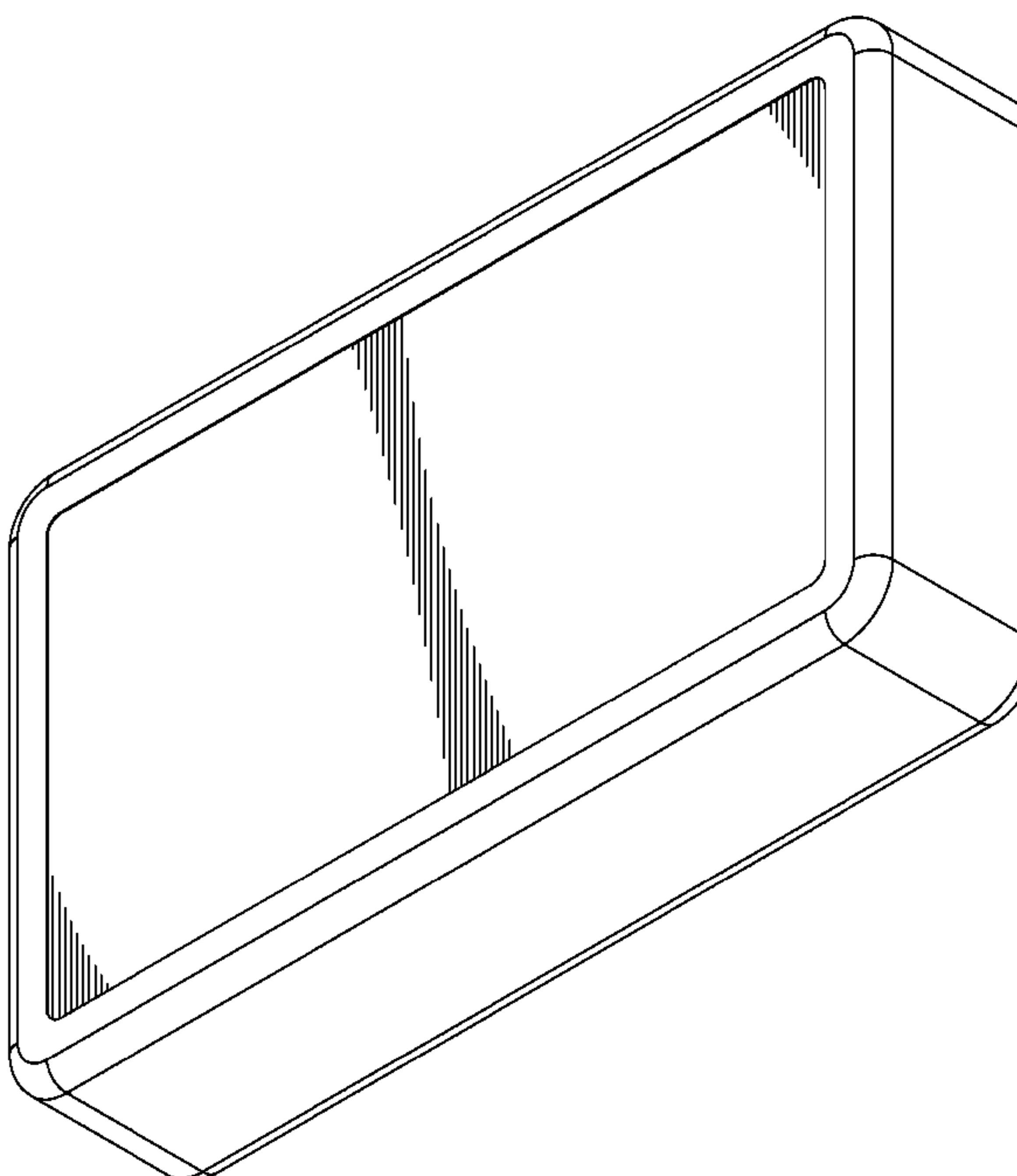
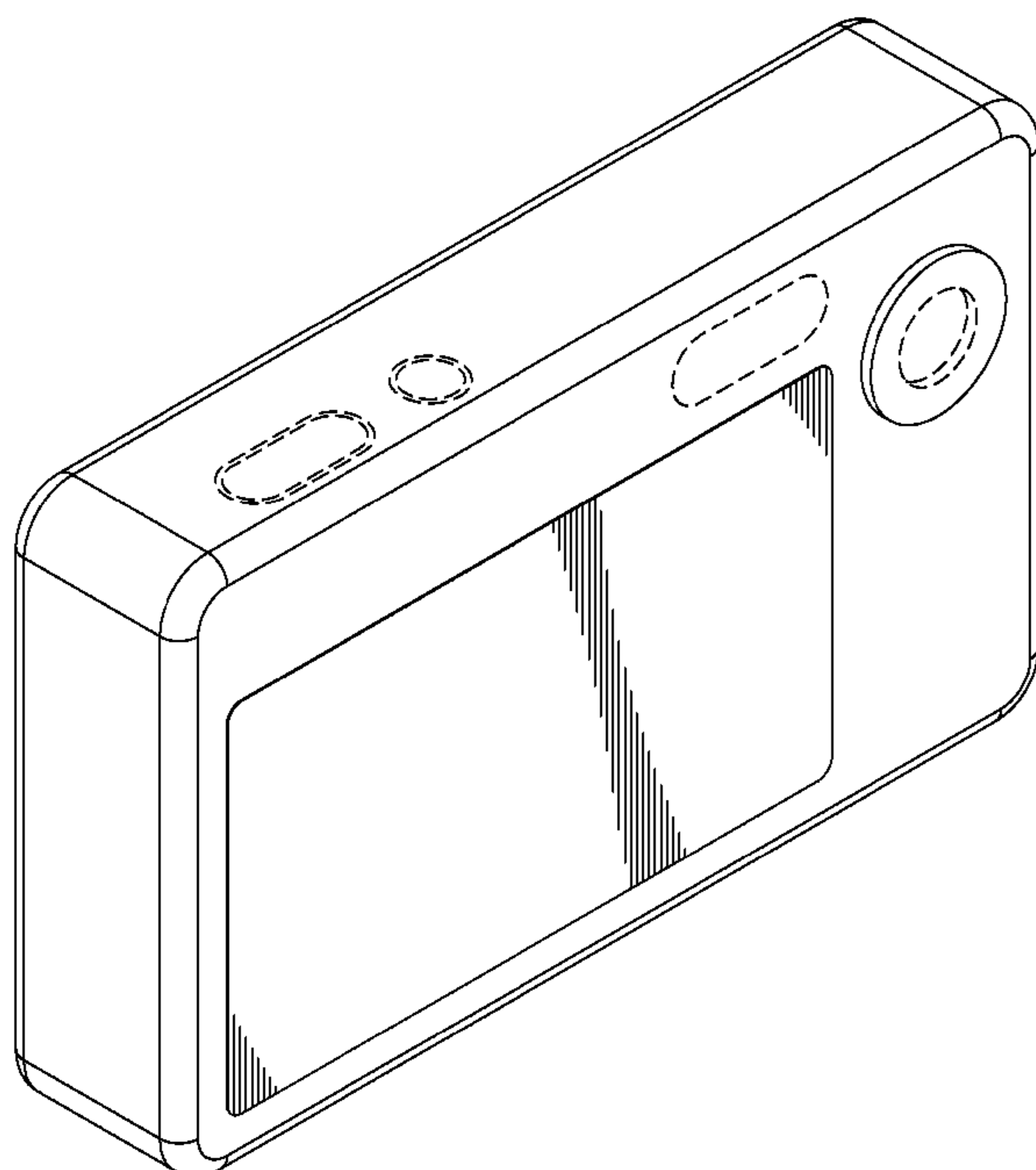
**DESCRIPTION**

FIG. 1 is a front perspective view of the dual display camera; FIG. 2 is a rear perspective view of FIG. 1; FIG. 3 is a front elevational view of FIG. 1; FIG. 4 is a right side elevational view of FIG. 1; FIG. 5 is a rear elevational view of FIG. 1; FIG. 6 is a left side elevational view of FIG. 1; FIG. 7 is top elevational view of FIG. 1; and, FIG. 8 is a bottom elevational view of FIG. 1.

The ornamental design that is claimed is shown in solid lines in the drawings.

The portions of the dual display camera in broken lines are shown for illustrative purposes only and form no part of the claimed design.

**1 Claim, 5 Drawing Sheets**



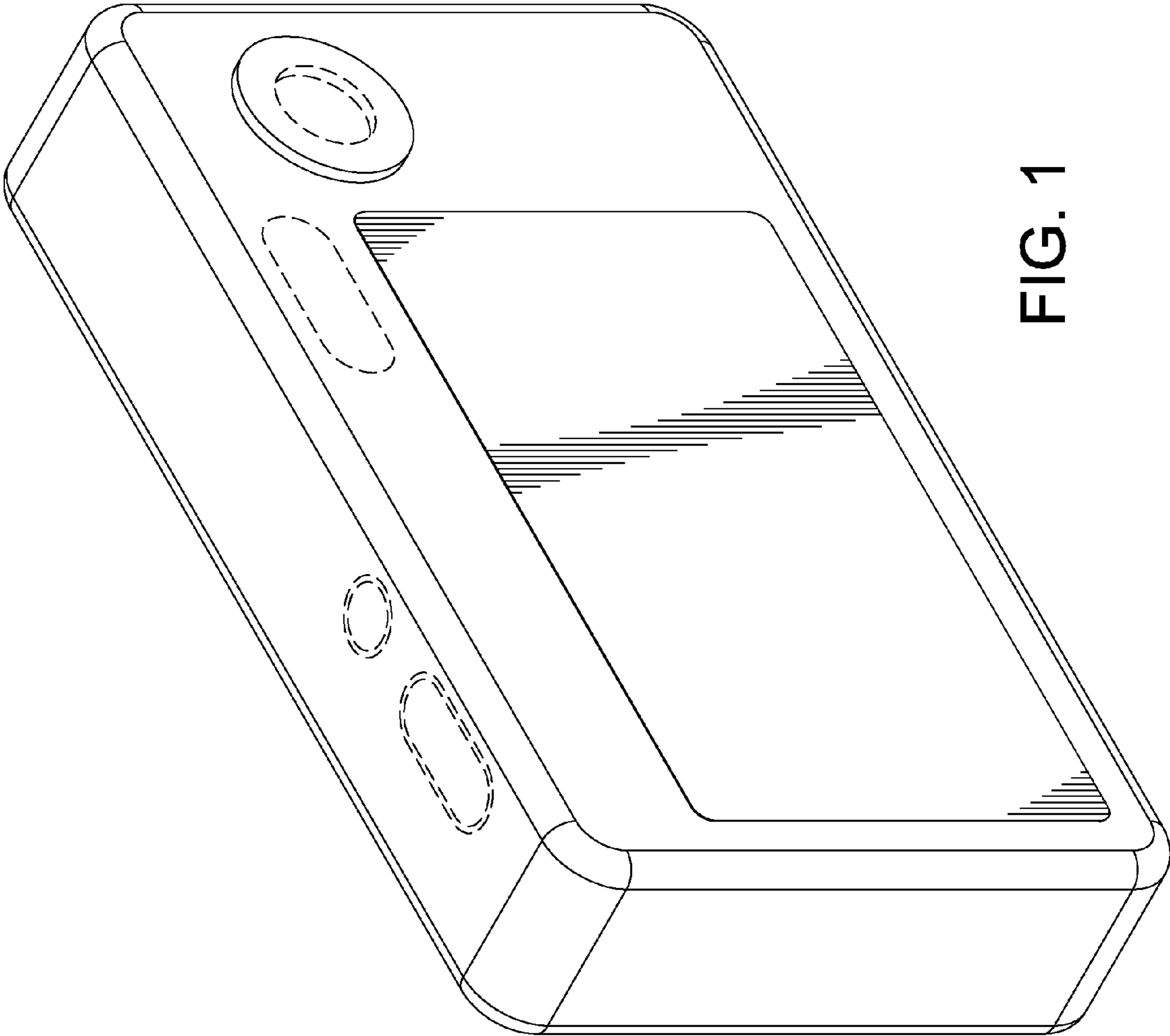


FIG. 1

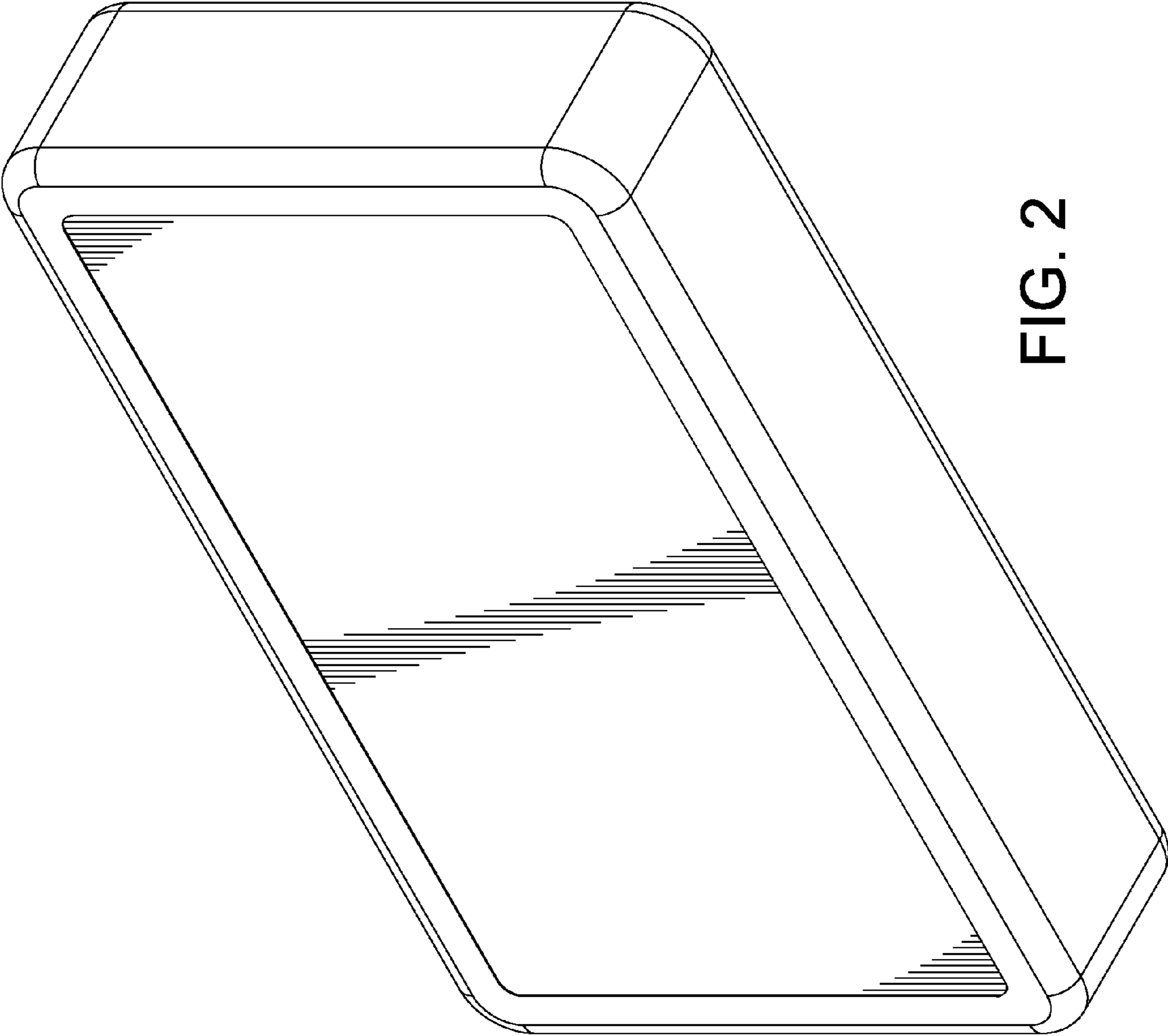


FIG. 2

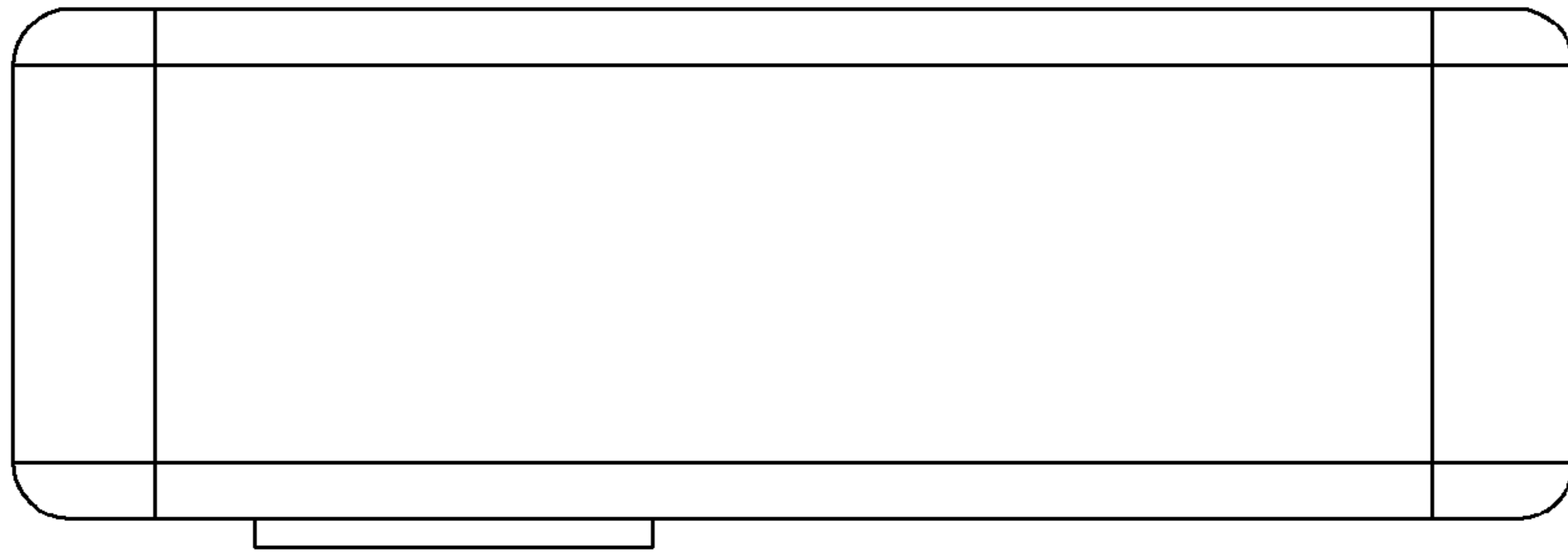


FIG. 4

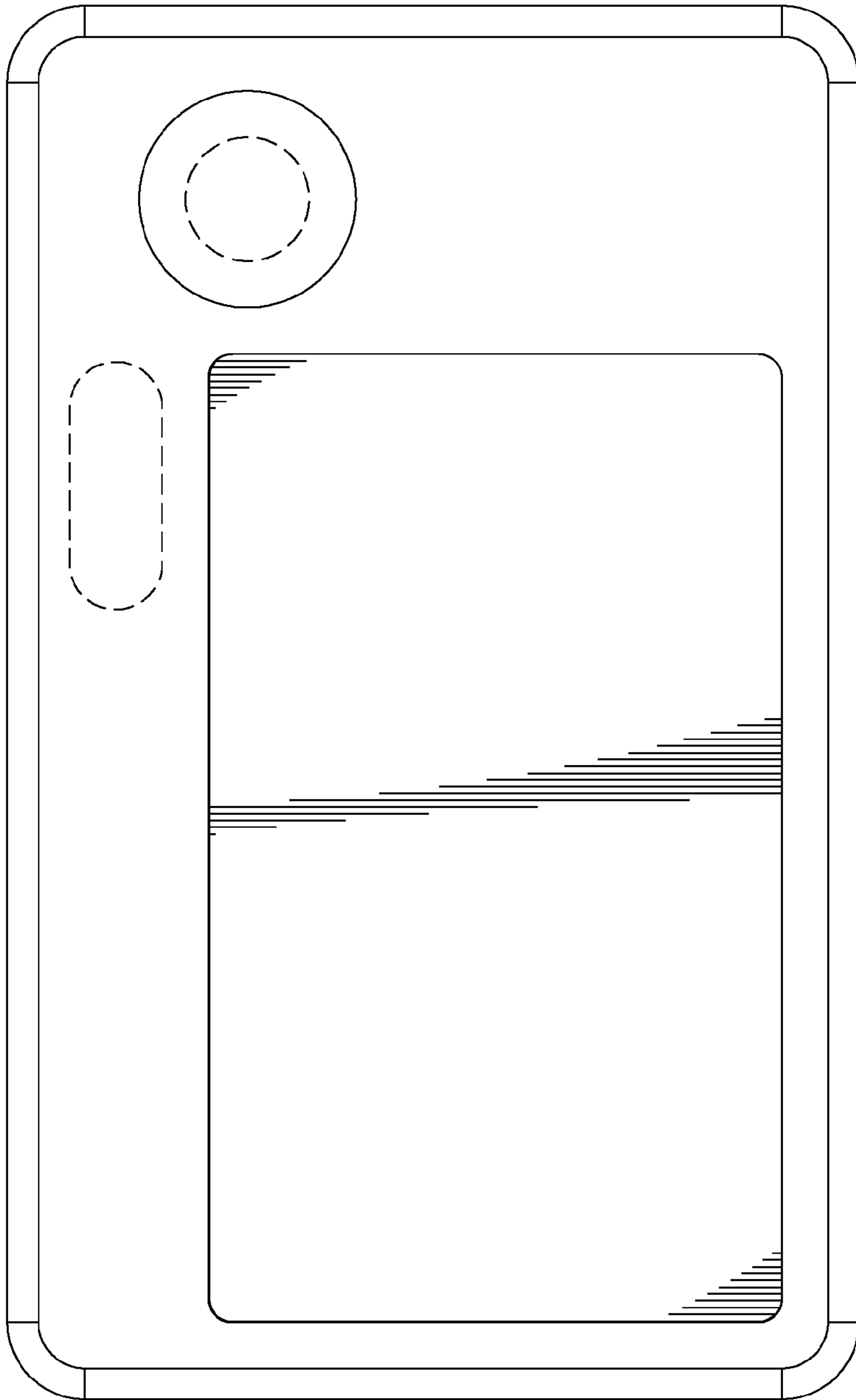


FIG. 3

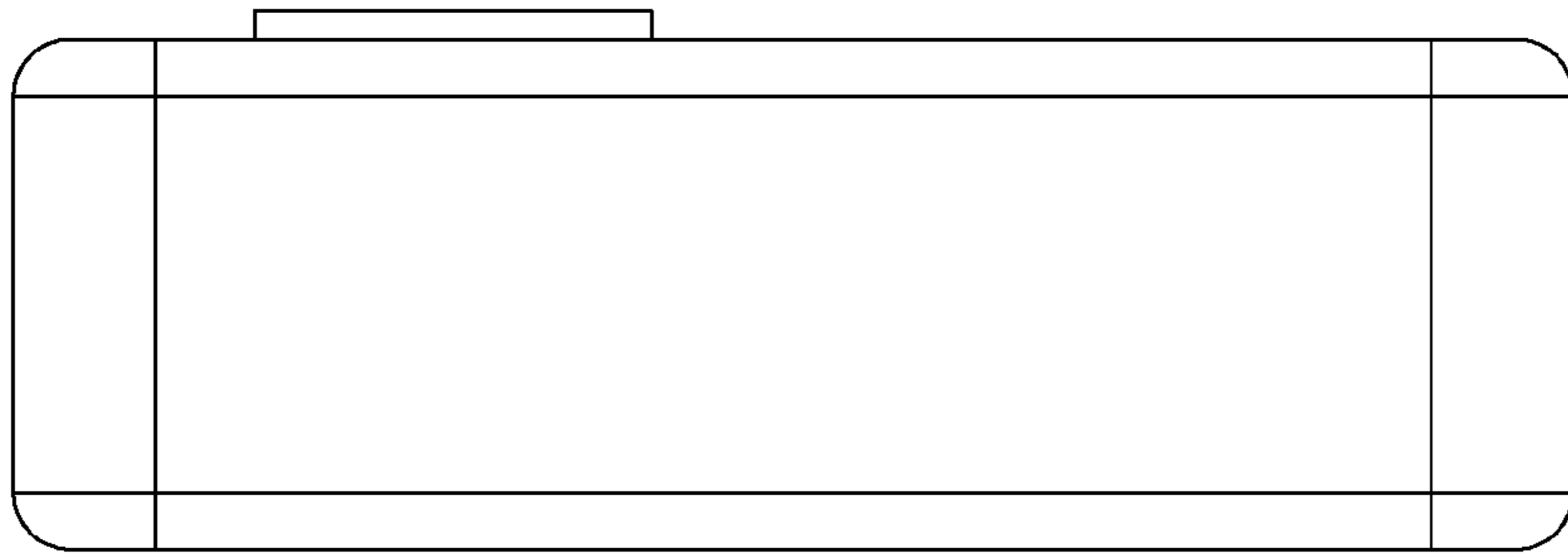


FIG. 6

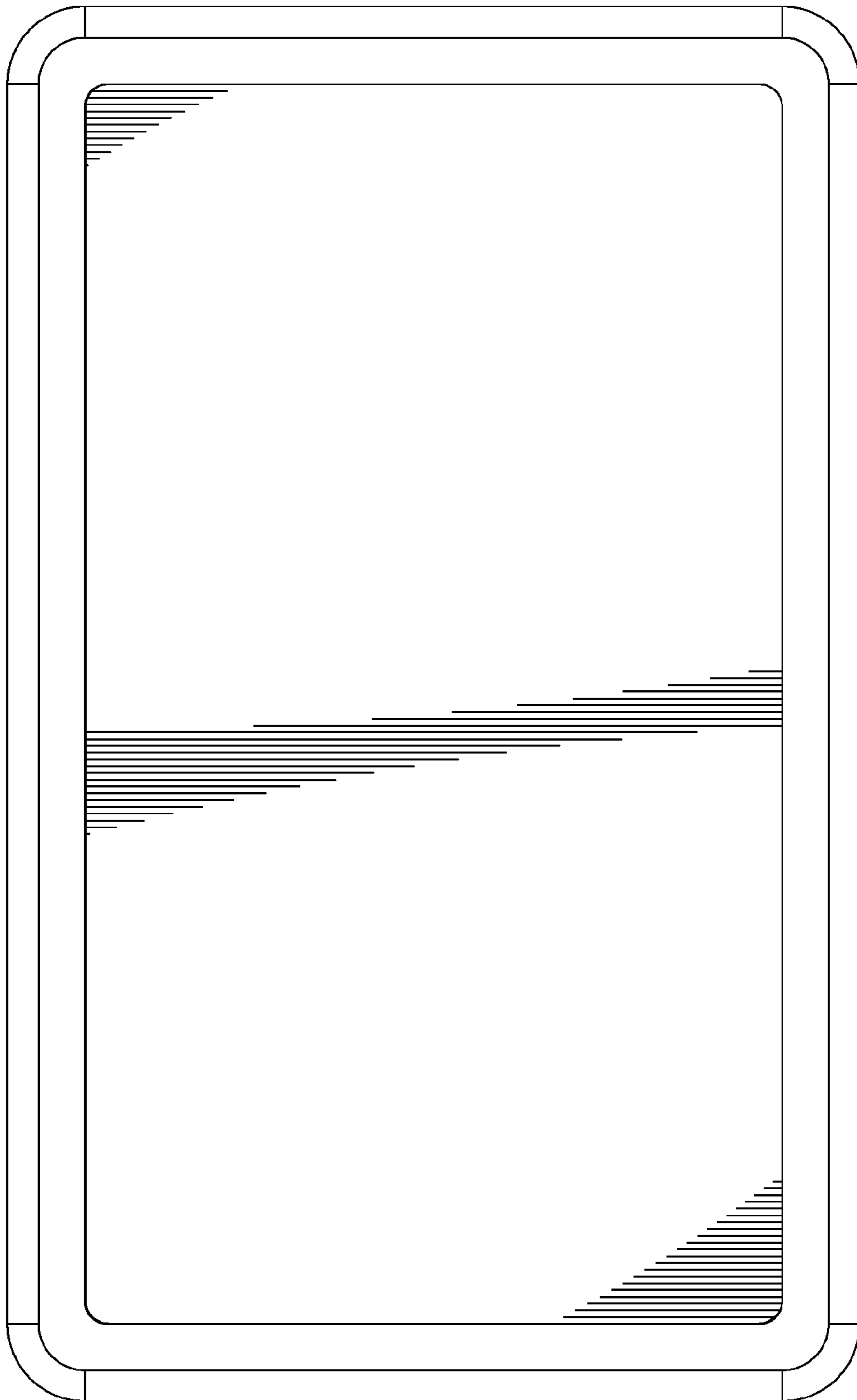


FIG. 5

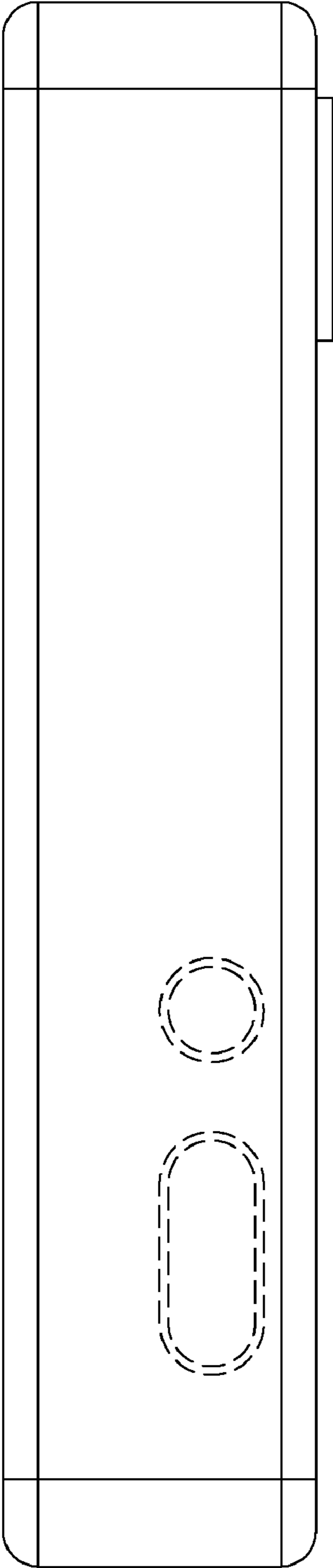


FIG. 7

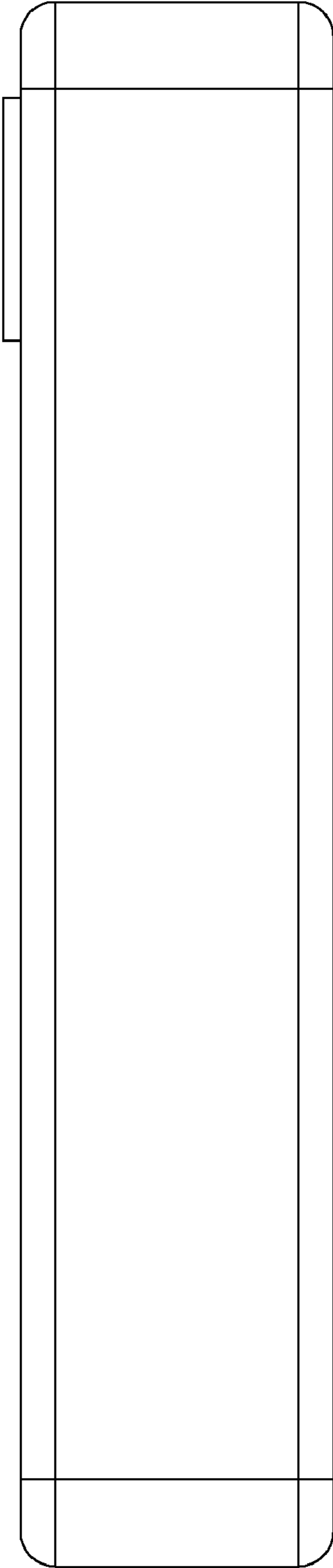


FIG. 8