



US00D641389S

(12) **United States Design Patent**
Dastagir

(10) **Patent No.:** **US D641,389 S**
(45) **Date of Patent:** **** Jul. 12, 2011**

(54) **DUAL DISPLAY CAMERA**

(76) Inventor: **Zahir Dastagir**, Merrick, NY (US)

(**) Term: **14 Years**

(21) Appl. No.: **29/333,527**

(22) Filed: **Mar. 11, 2009**

(51) **LOC (9) Cl.** **16-05**

(52) **U.S. Cl.** **D16/219**

(58) **Field of Classification Search** D16/200–204,
D16/208, 218, 219; 348/373–376; 358/906;
396/535–541

See application file for complete search history.

(56) **References Cited**

U.S. PATENT DOCUMENTS

4,456,931	A *	6/1984	Toyoda et al.	358/906
5,729,289	A *	3/1998	Etoh	348/373
D394,444	S	5/1998	Hoshi et al.	
D443,289	S *	6/2001	Omino	D16/202
D506,490	S *	6/2005	Hayashi	D16/219
D516,601	S *	3/2006	Ishii	D16/218
7,173,665	B2	2/2007	Kawasaki et al.	
D542,322	S	5/2007	Miyashita	
D567,276	S *	4/2008	Sato et al.	D16/202
7,432,977	B2 *	10/2008	Chiang	348/373
7,643,085	B2 *	1/2010	Saiki et al.	348/374
2003/0117521	A1 *	6/2003	Nagaoka	348/373

2004/0189597	A1 *	9/2004	Amitani et al.	345/156
2006/0098116	A1 *	5/2006	Manico et al.	348/373
2006/0119709	A1	6/2006	Morimoto	

FOREIGN PATENT DOCUMENTS

JP 2006-229524 * 8/2006

OTHER PUBLICATIONS

Photo Industry Reporter, vol. 17, No. 12, p. 2, Sep. 2009.

* cited by examiner

Primary Examiner — Adir Aronovich

(74) *Attorney, Agent, or Firm* — Hoffmann & Baron, LLP

(57) **CLAIM**

The ornamental design for the dual display camera, as shown and described.

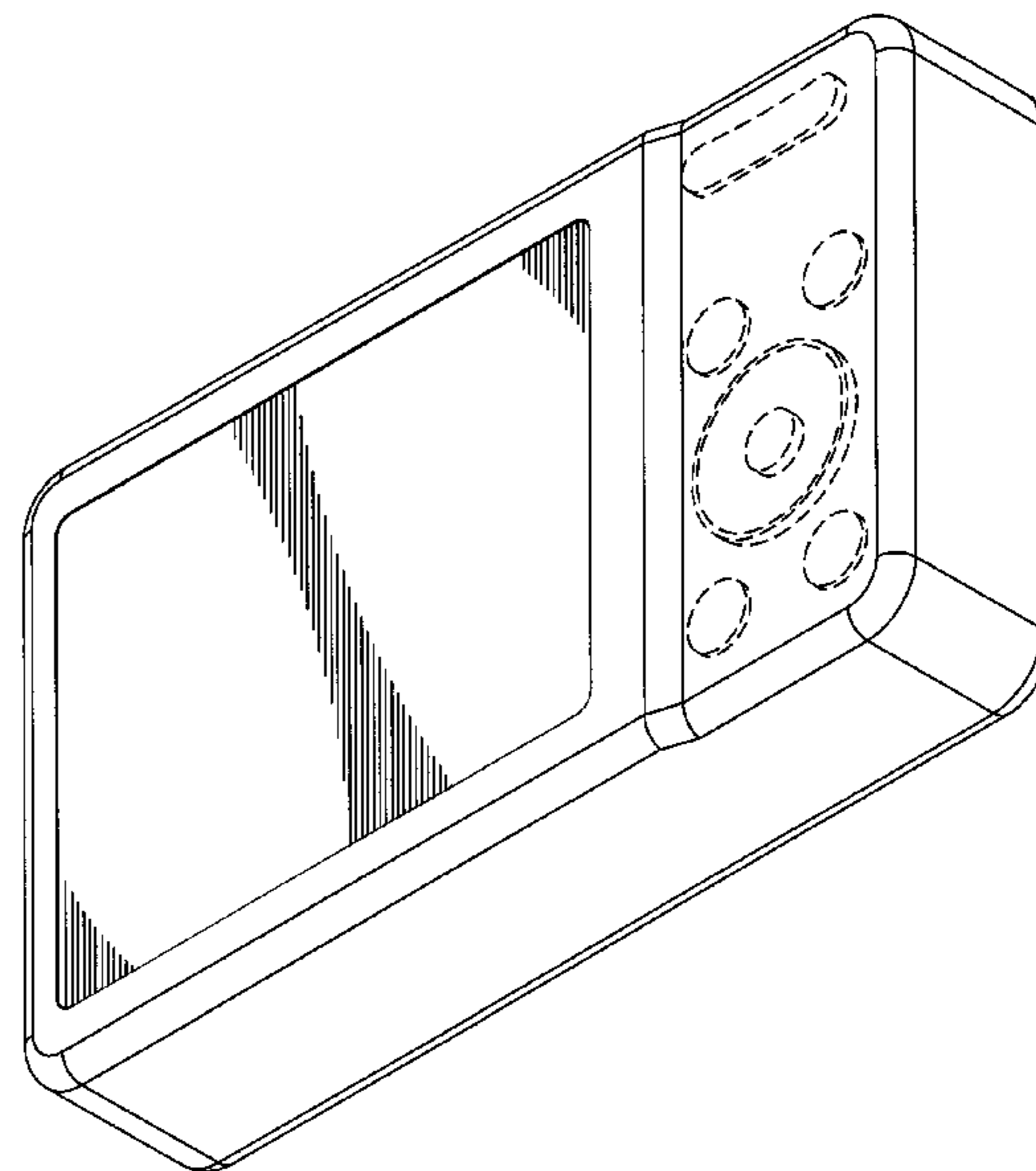
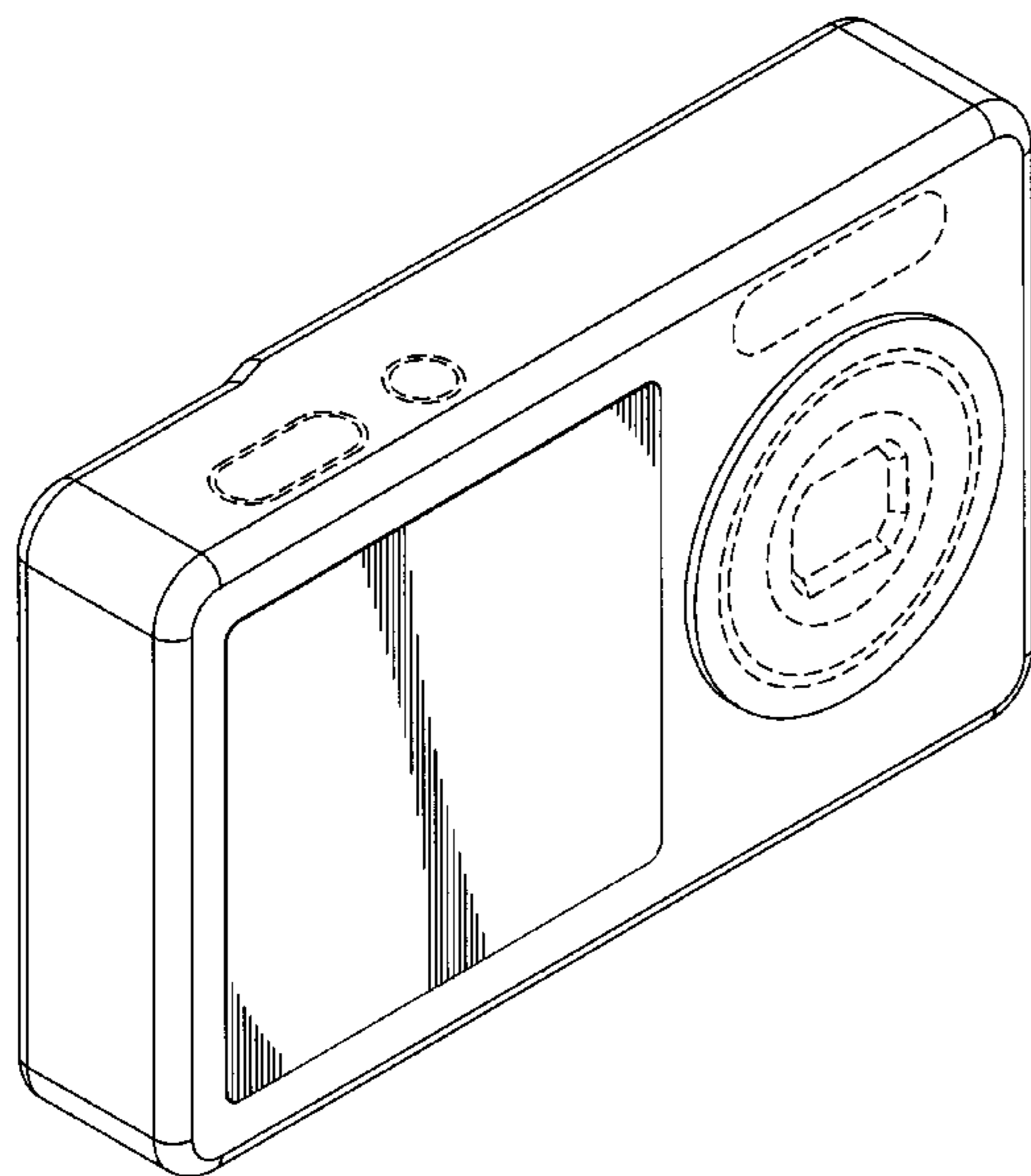
DESCRIPTION

FIG. 1 is a front perspective view of the dual display camera; FIG. 2 is a rear perspective view of FIG. 1; FIG. 3 is a front elevational view of FIG. 1; FIG. 4 is a right side elevational view of FIG. 1; FIG. 5 is a rear elevational view of FIG. 1; FIG. 6 is a left side elevational view of FIG. 1; FIG. 7 is top elevational view of FIG. 1; and, FIG. 8 is a bottom elevational view of FIG. 1.

The ornamental design that is claimed is shown in solid lines in the drawings.

The portions of the dual display camera in broken lines are shown for illustrative purposes only and form no part of the claimed design.

1 Claim, 5 Drawing Sheets



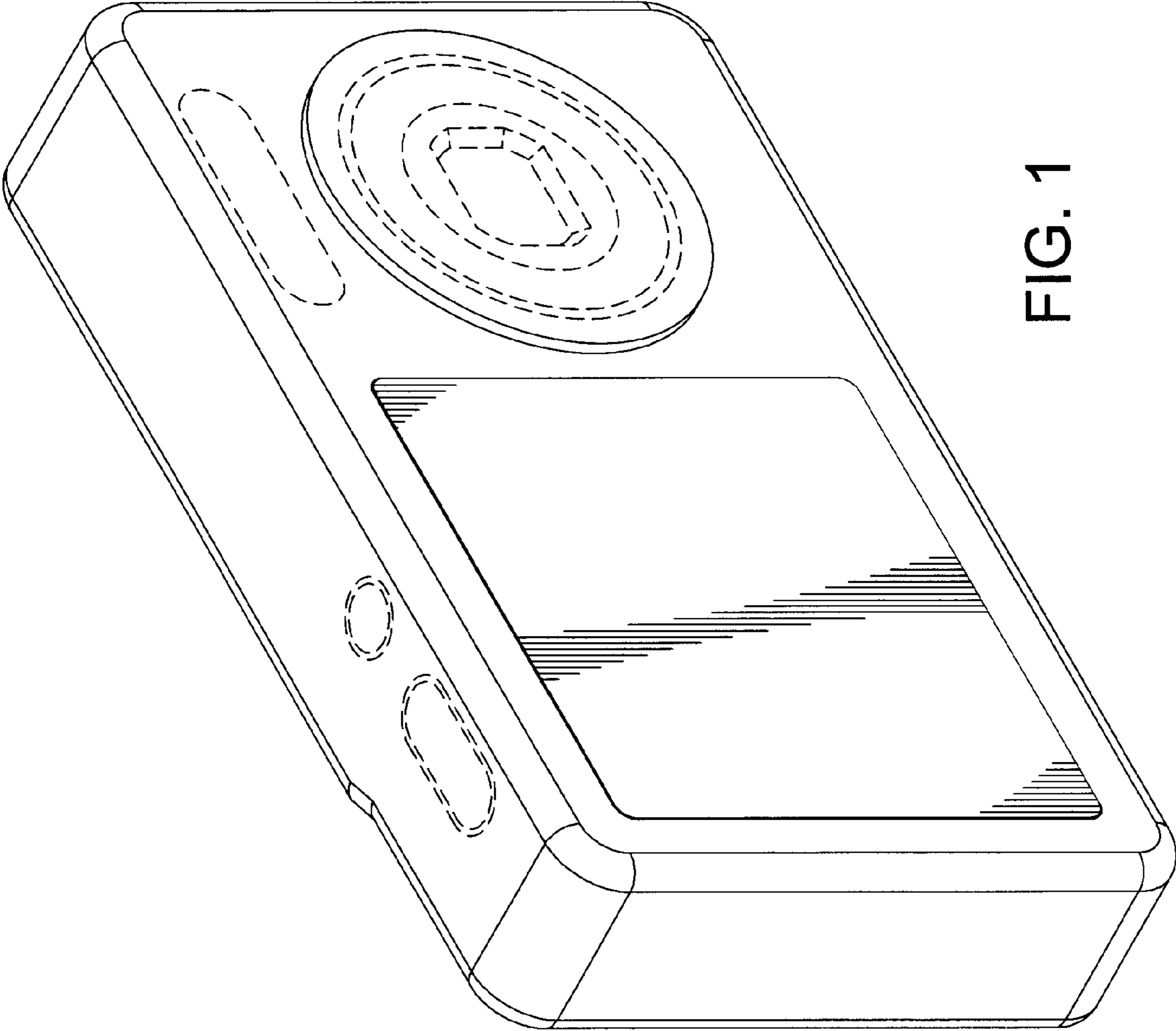


FIG. 1

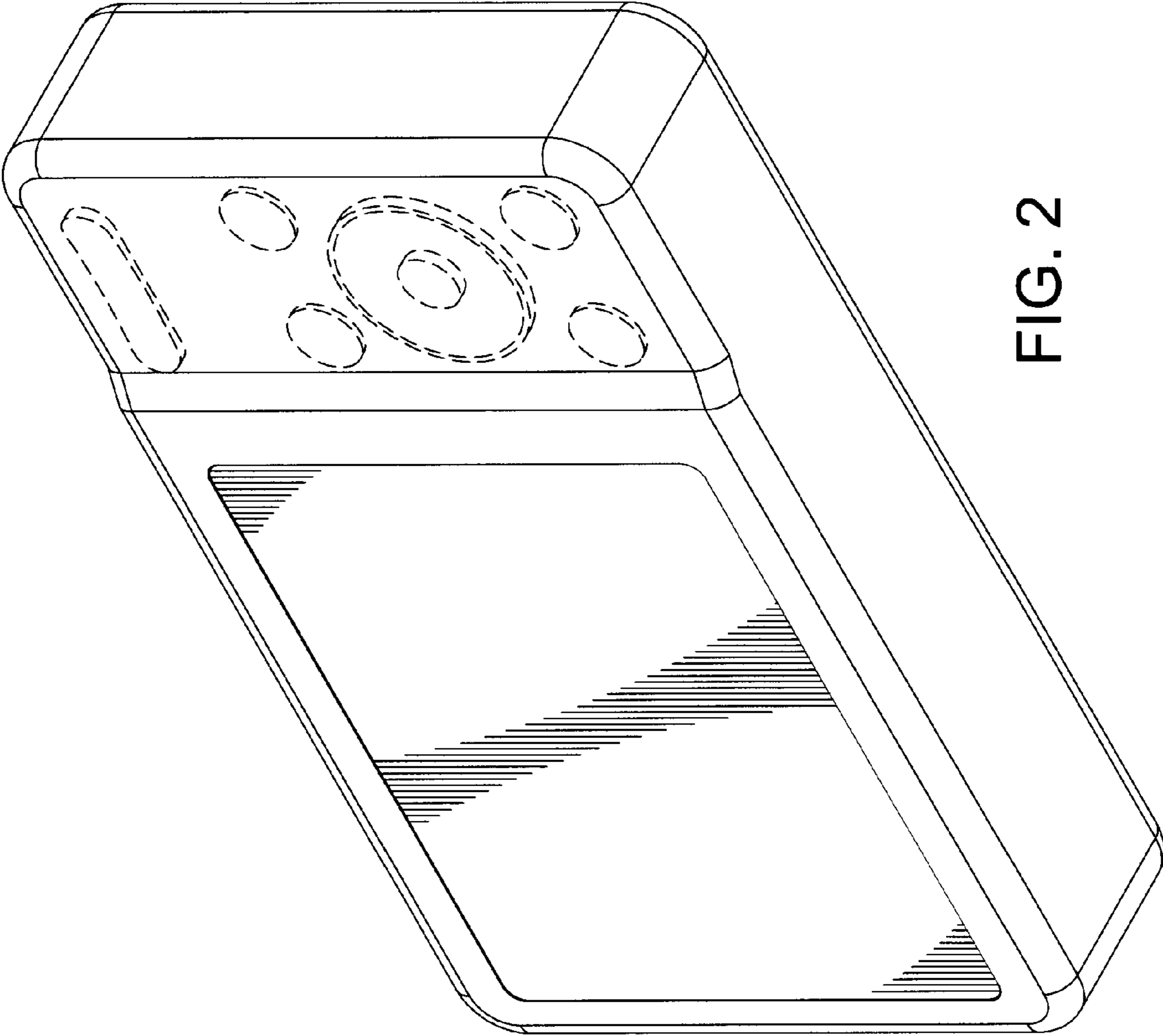


FIG. 2

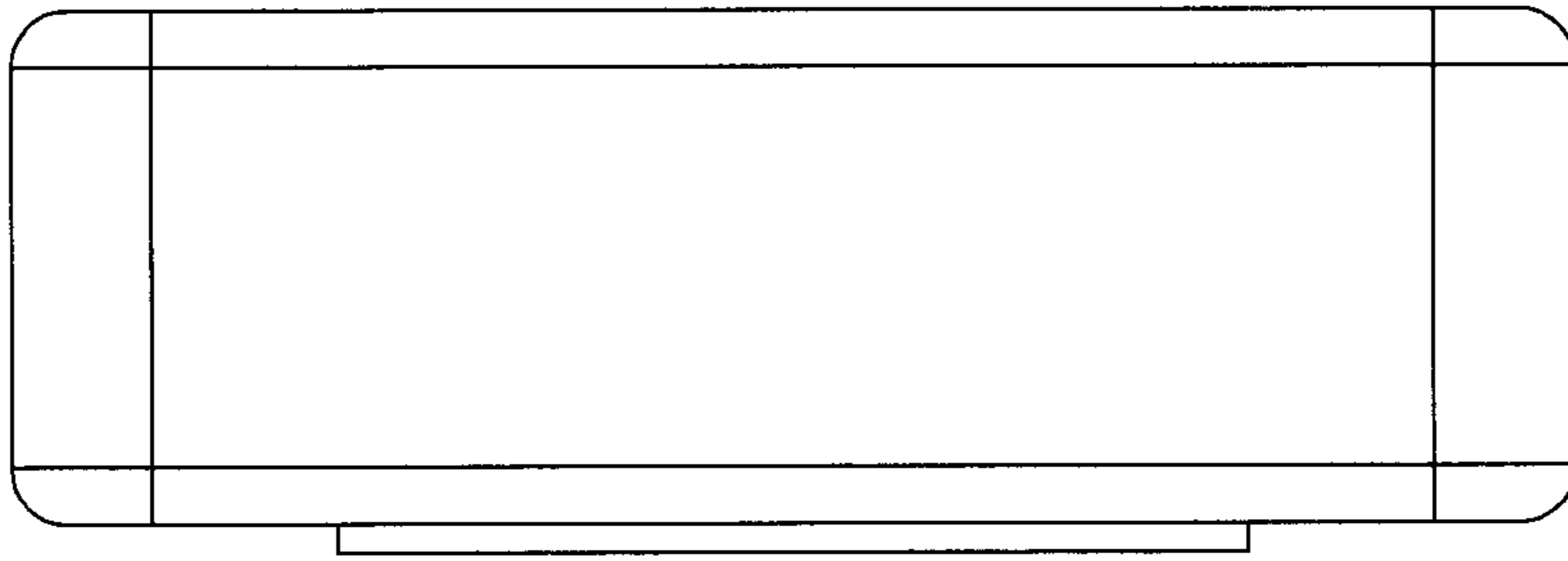


FIG. 4

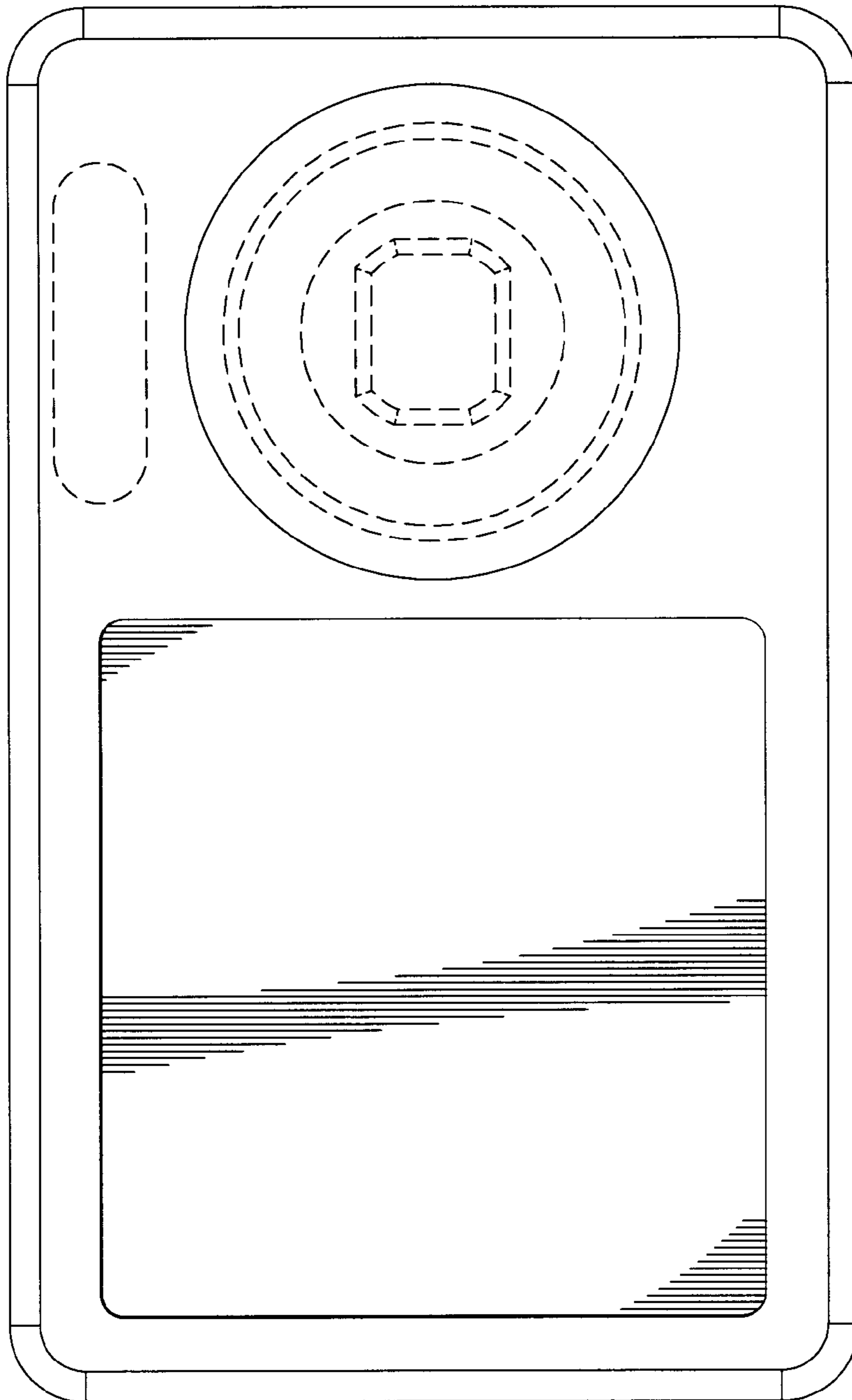


FIG. 3

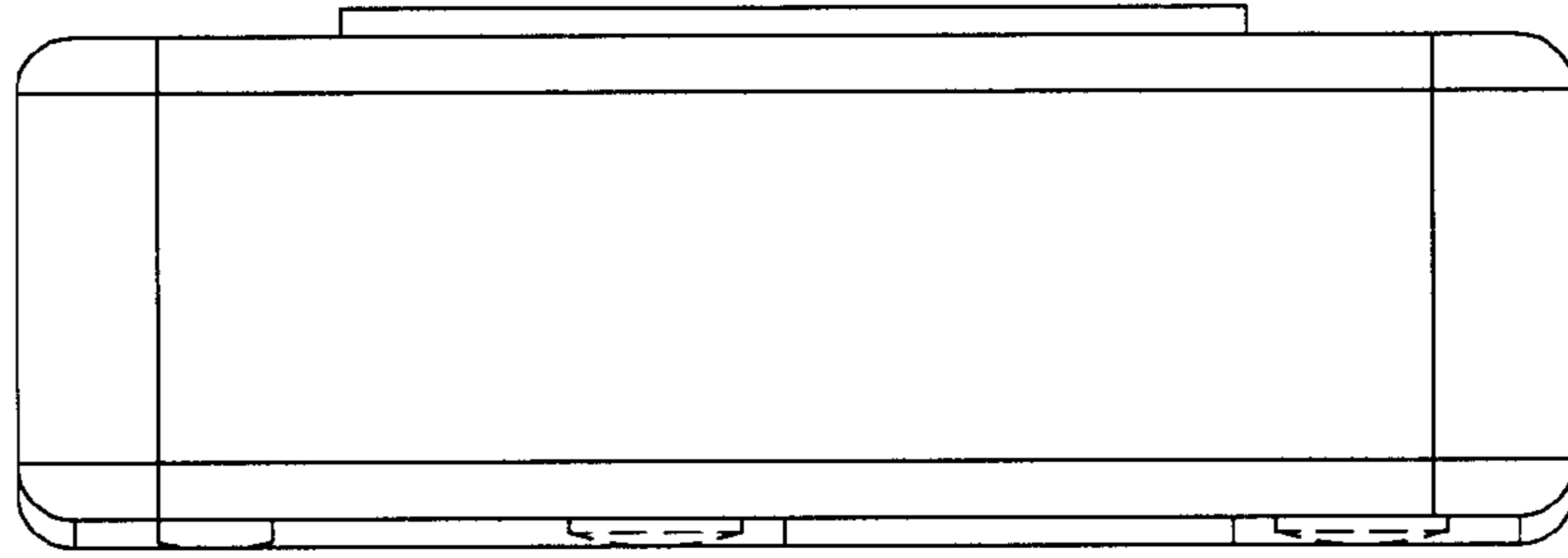


FIG. 6

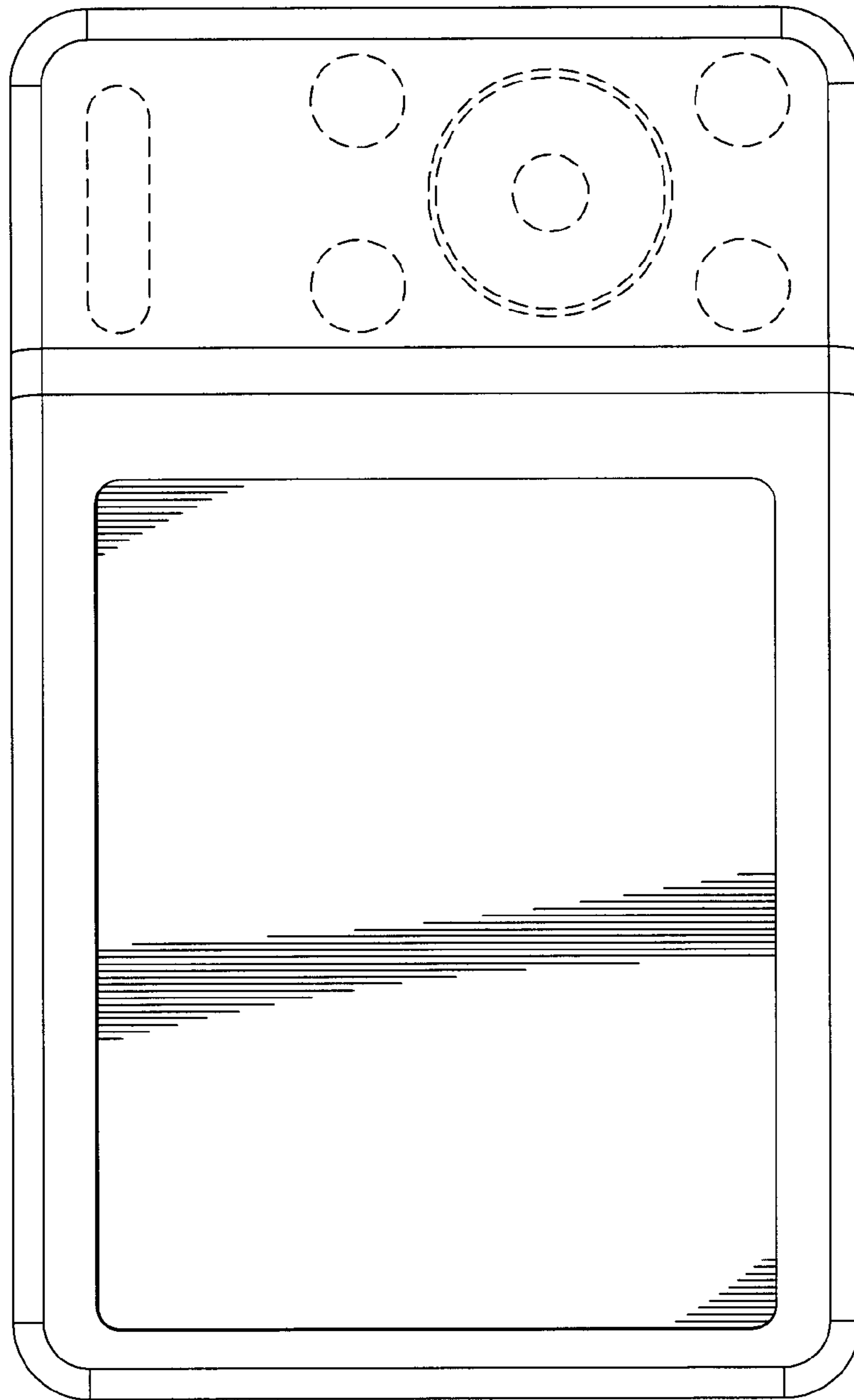


FIG. 5

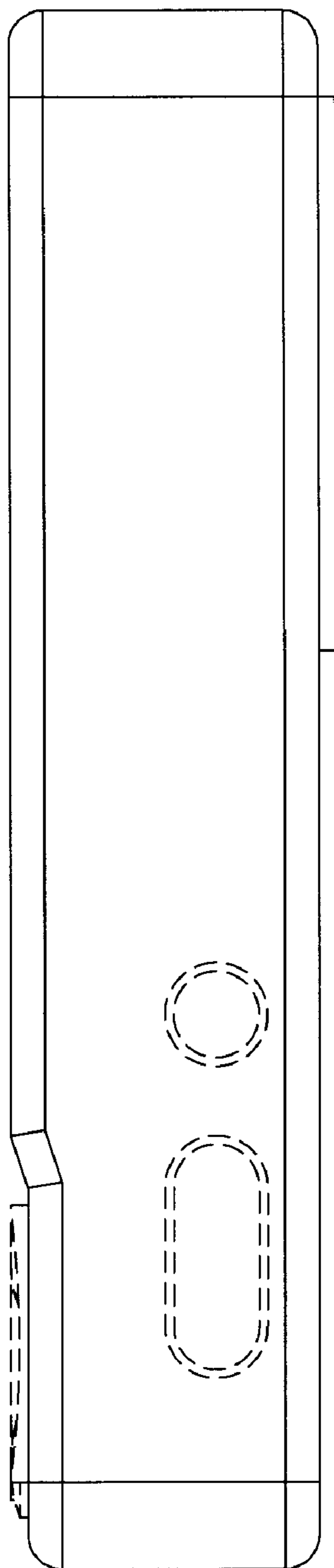


FIG. 7

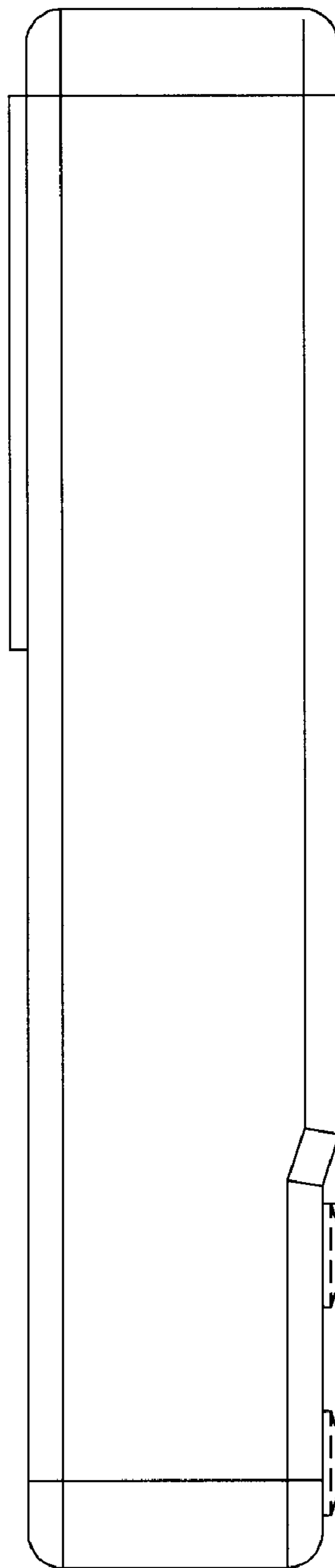


FIG. 8