



US00D641387S

(12) **United States Design Patent**
Lee

(10) **Patent No.:** **US D641,387 S**
(45) **Date of Patent:** **** Jul. 12, 2011**

- (54) **DIGITAL CAMERA**
- (75) Inventor: **Kwan-Hee Lee**, Seoul (KR)
- (73) Assignee: **Samsung Electronics Co., Ltd.**, Suwon, Kyunggi-Do (KR)
- (**) Term: **14 Years**
- (21) Appl. No.: **29/372,110**
- (22) Filed: **Oct. 15, 2010**
- (51) **LOC (9) Cl.** **16-01**
- (52) **U.S. Cl.** **D16/202**
- (58) **Field of Classification Search** D16/200–204, D16/218; 348/373–376; 358/909.1; 396/535–541
See application file for complete search history.

D551,275 S	9/2007	Kim	
D552,646 S	10/2007	Bai	
D552,647 S	10/2007	Bai	
D553,657 S	10/2007	Bai	
D555,687 S *	11/2007	Yoo et al.	D16/218
D556,229 S	11/2007	Bai	
D561,218 S	2/2008	Kim	
D561,799 S	2/2008	Bai	
D586,374 S	2/2009	Kim	
D590,427 S	4/2009	Kim	
D594,047 S	6/2009	Lee	
7,646,426 B2 *	1/2010	Saiki et al.	348/373
D609,731 S *	2/2010	Yagi	D16/202
D611,974 S *	3/2010	Kwon et al.	D16/202
D620,966 S	8/2010	Chin et al.	
D627,381 S *	11/2010	Kwon	D16/202
D631,078 S *	1/2011	Nohara	D16/202

* cited by examiner

Primary Examiner — Adir Aronovich

(74) *Attorney, Agent, or Firm* — Flynn, Thiel, Boutell & Tanis, P.C.

(56) **References Cited**

U.S. PATENT DOCUMENTS

5,258,793 A *	11/1993	Tsuji et al.	396/536
D474,792 S	5/2003	Hyun	
D521,023 S	5/2006	Kim et al.	
D522,555 S	6/2006	Choi	
D525,986 S	8/2006	Kim	
D525,987 S	8/2006	Kim	
D525,988 S	8/2006	Kim	
D525,989 S	8/2006	Choe	
D526,663 S	8/2006	Bang	
D527,016 S	8/2006	Millora	
D527,017 S	8/2006	Kim	
D527,403 S	8/2006	Byun et al.	
D527,405 S	8/2006	Kim et al.	
D528,126 S	9/2006	Kim	
D533,187 S	12/2006	Lee	
D534,196 S	12/2006	Kim et al.	
D547,347 S	7/2007	Kim	
D550,743 S	9/2007	Bai	

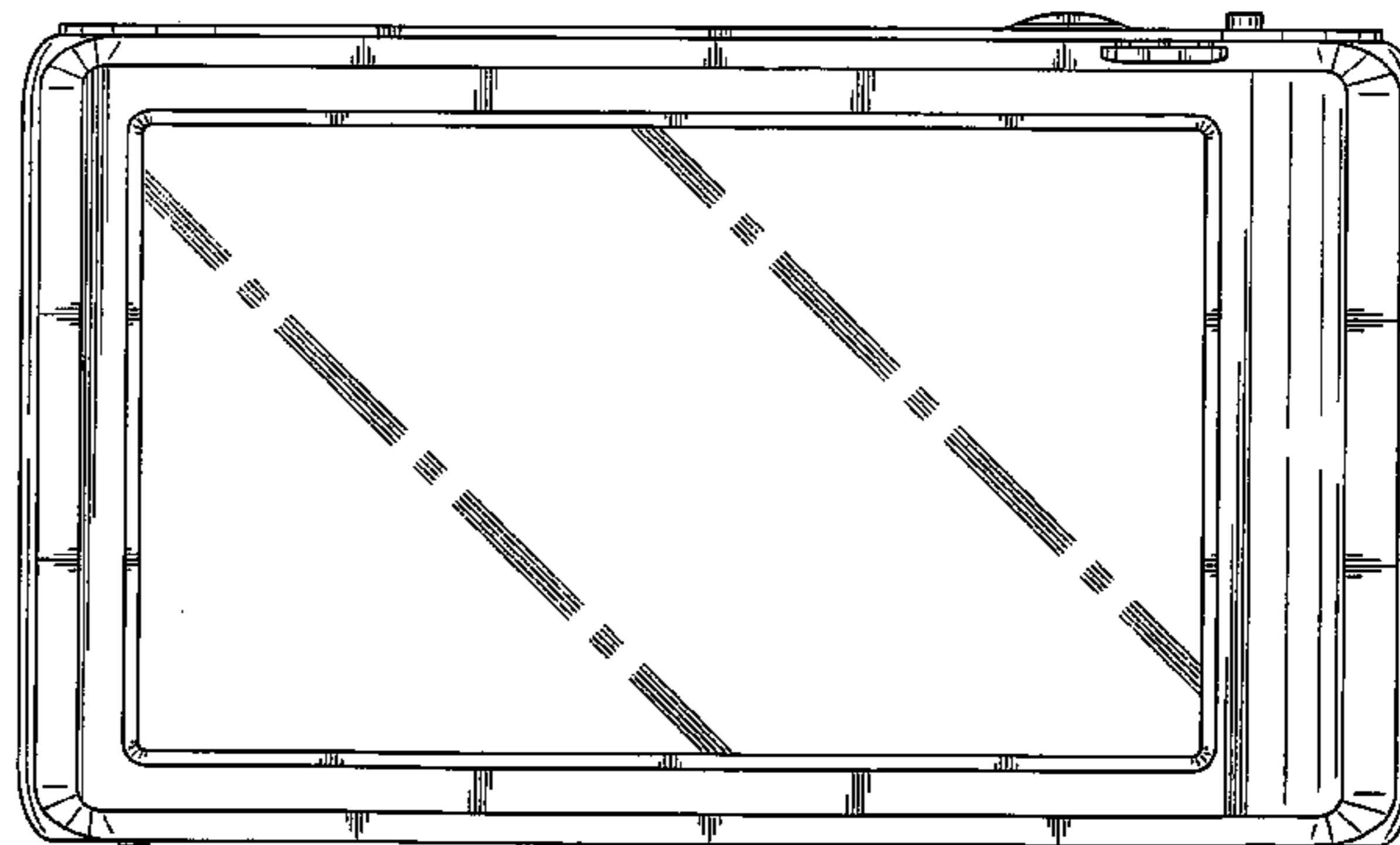
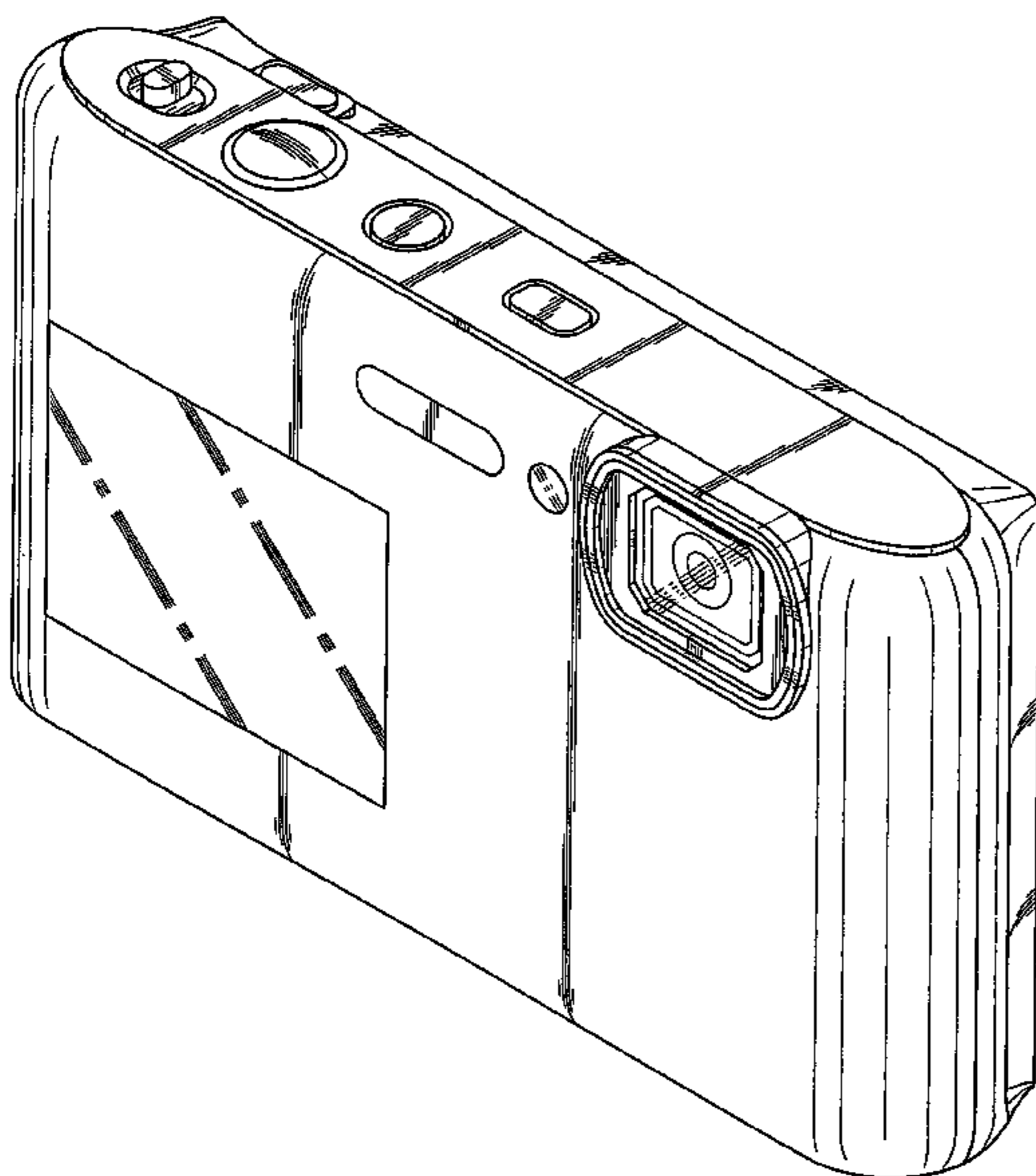
(57) **CLAIM**

The ornamental design for a digital camera, as shown and described.

DESCRIPTION

FIG. 1 is a top front perspective view of a digital camera showing my new design;
 FIG. 2 is a front elevational view thereof;
 FIG. 3 is a rear elevational view thereof;
 FIG. 4 is a left side elevational view thereof;
 FIG. 5 is a right side elevational view thereof;
 FIG. 6 is a top plan view thereof; and,
 FIG. 7 is a bottom plan view thereof.

1 Claim, 3 Drawing Sheets



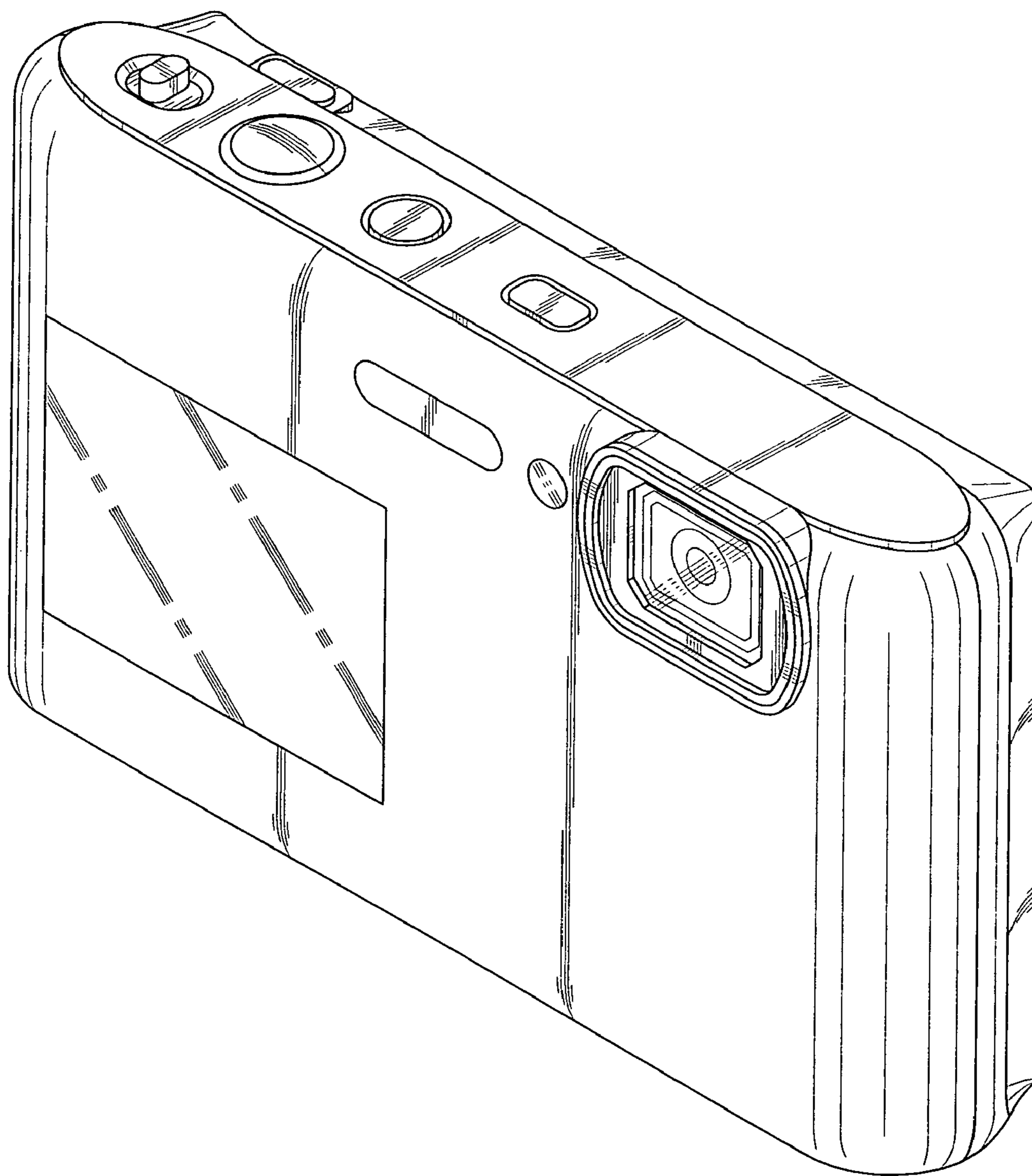


FIG. 1

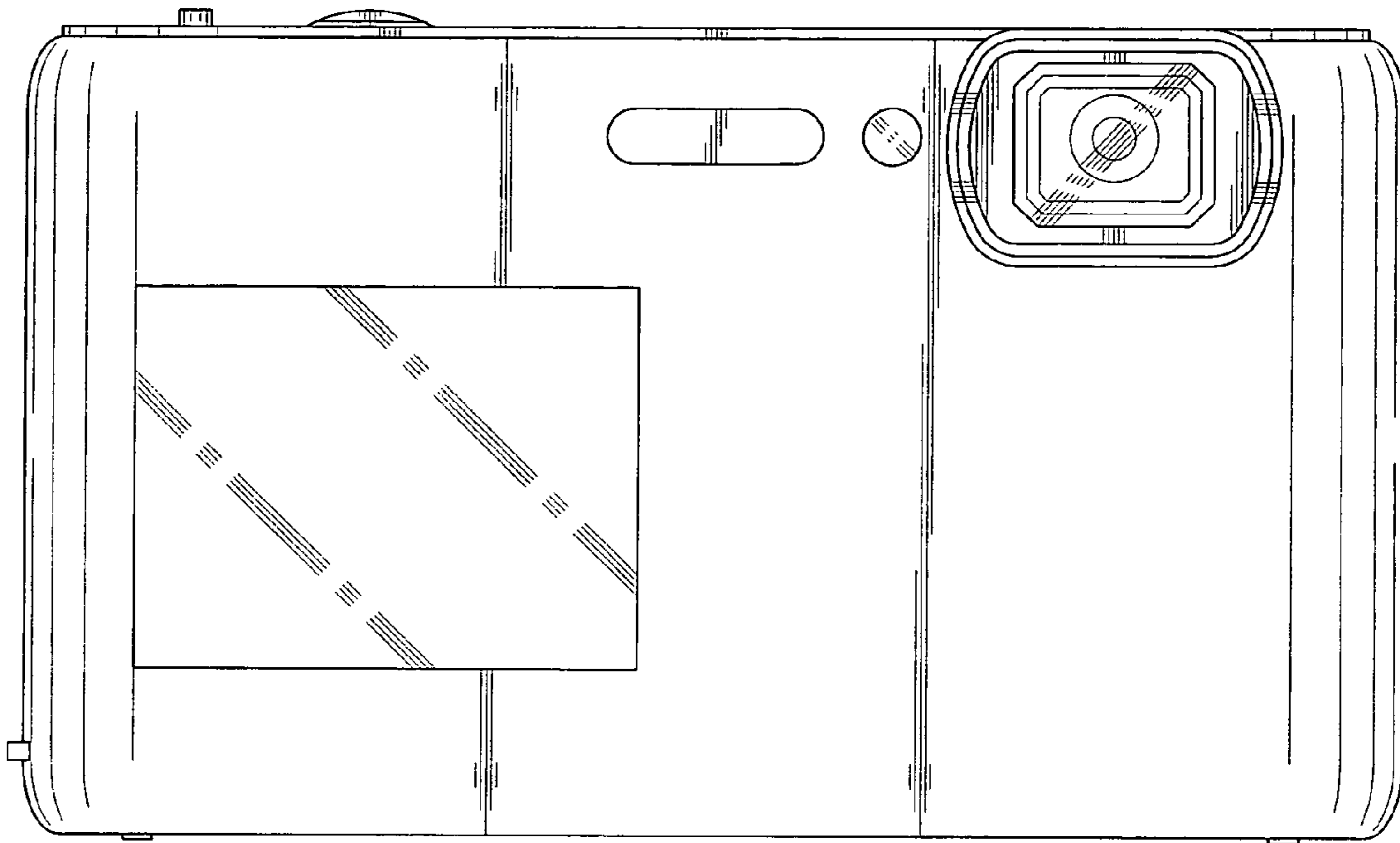


FIG. 2

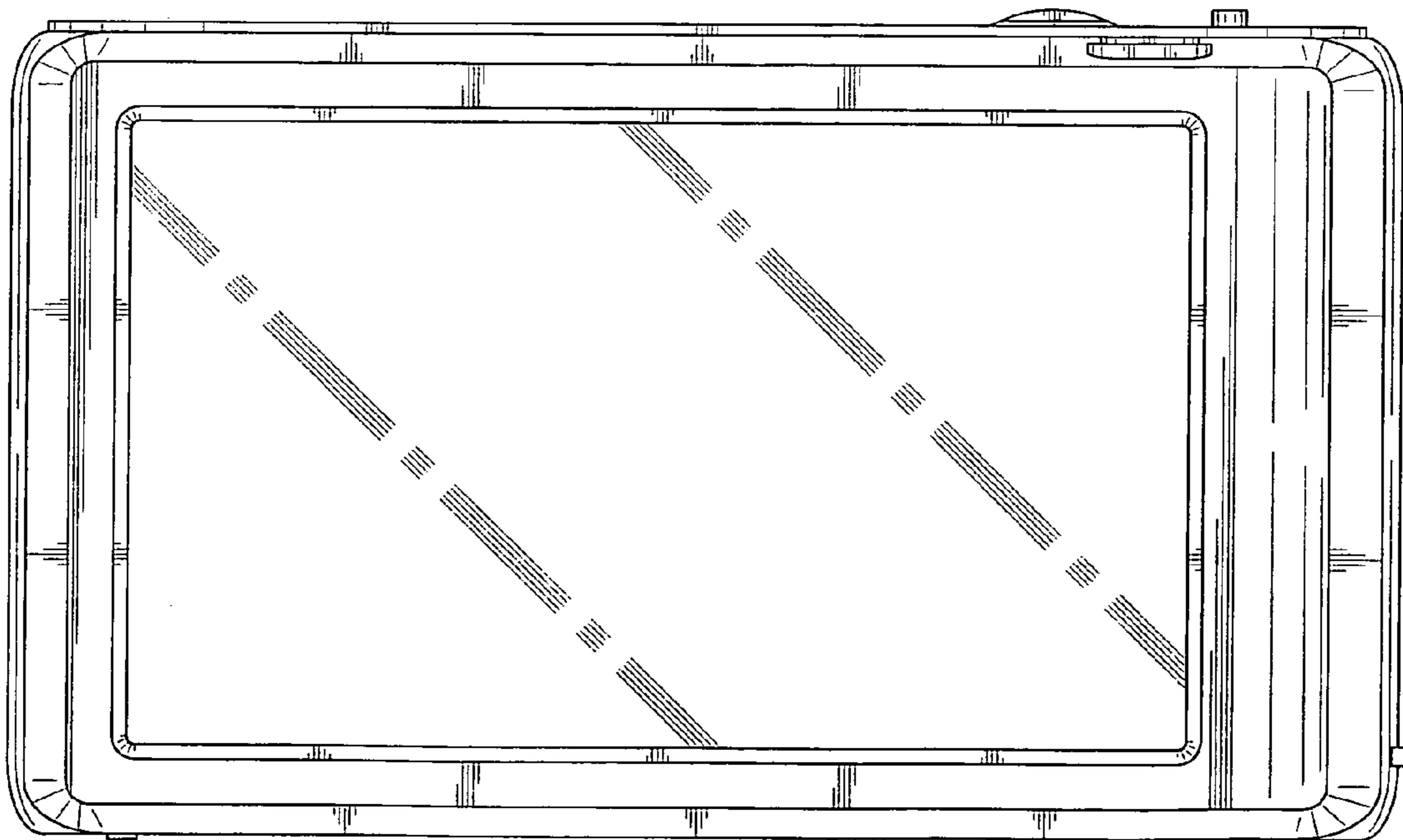


FIG. 3

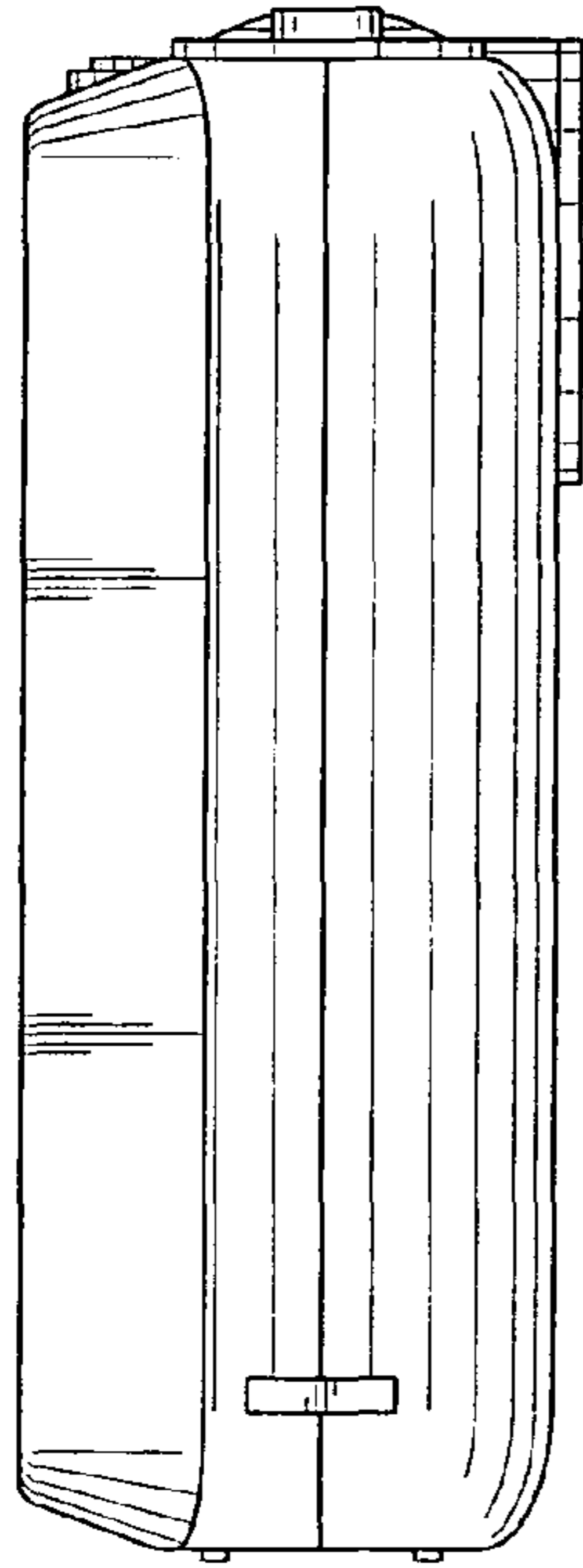


FIG. 4

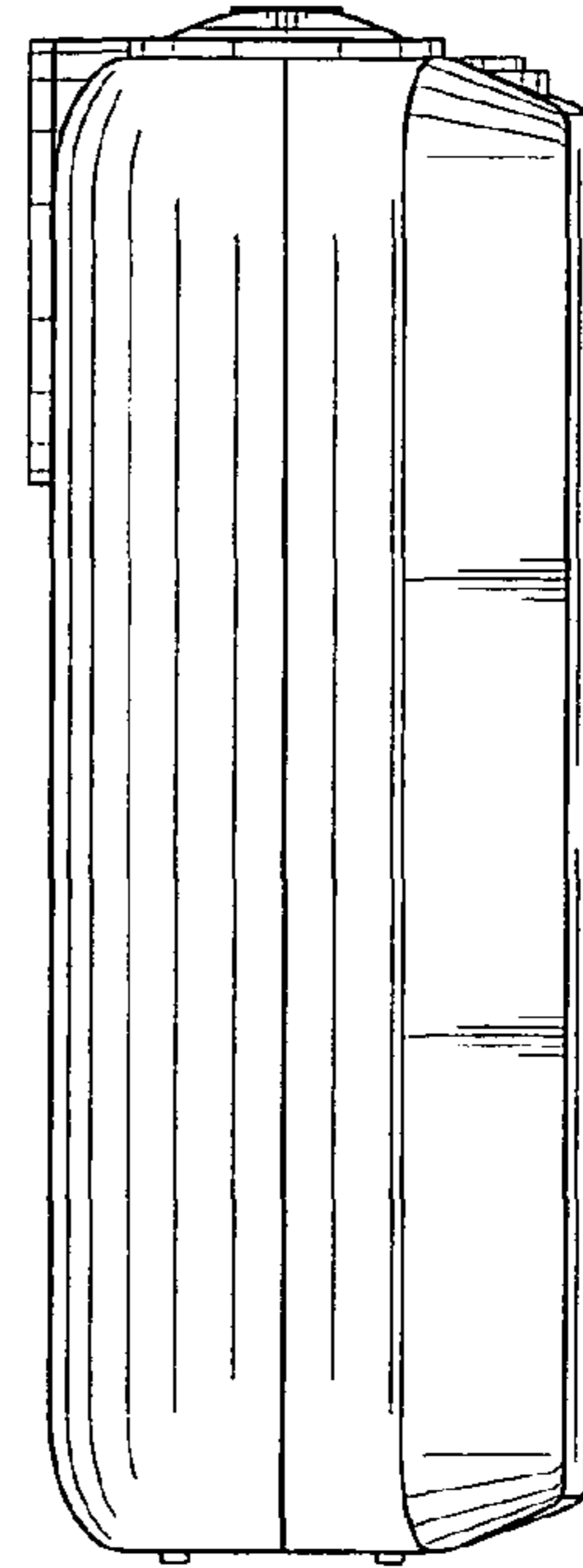


FIG. 5

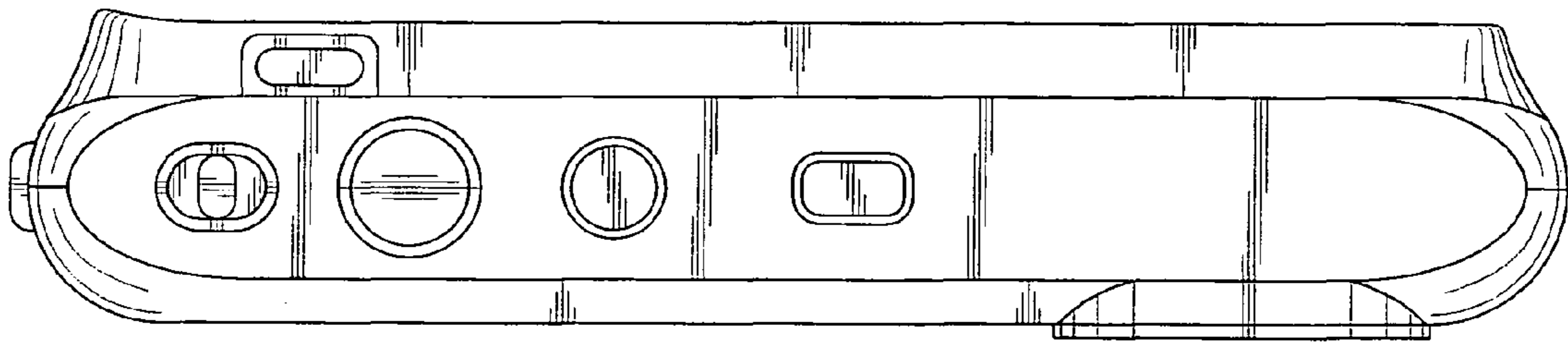


FIG. 6

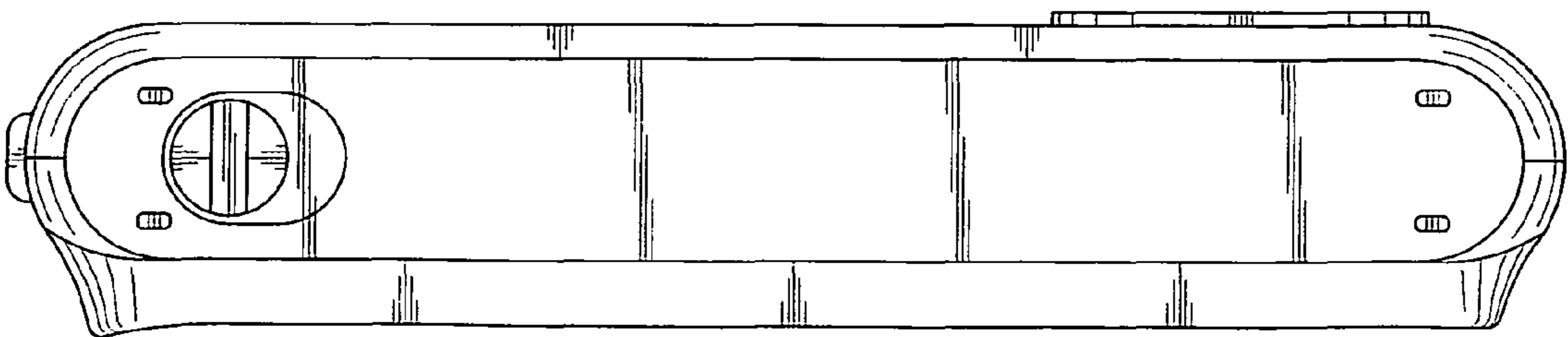


FIG. 7