



US00D641386S

(12) **United States Design Patent**  
**Maerzhaeuser et al.**

(10) **Patent No.:** **US D641,386 S**

(45) **Date of Patent:** **\*\* Jul. 12, 2011**

(54) **MICROSCOPE TABLE**

(75) Inventors: **Guenter Maerzhaeuser**, Wetzlar (DE);  
**Sebastian Scherer**, Lahnau (DE)

(73) Assignee: **Maerzhaeuser Wetzlar GmbH & Co.**  
**KG**, Wetzlar (DE)

(\*\*) Term: **14 Years**

(21) Appl. No.: **29/381,565**

(22) Filed: **Dec. 21, 2010**

**Related U.S. Application Data**

(62) Division of application No. 29/353,596, filed on Jan. 12, 2010, now Pat. No. Des. 632,717.

(30) **Foreign Application Priority Data**

Jul. 13, 2009 (EM) ..... 001580663-0001  
Jul. 13, 2009 (EM) ..... 001580663-0002

(51) **LOC (9) Cl.** ..... **16-06**

(52) **U.S. Cl.** ..... **D16/131**

(58) **Field of Classification Search** ..... D16/130,  
D16/131, 136; 359/391, 392, 393, 394; 74/490.13;  
269/59, 60

See application file for complete search history.

(56) **References Cited**

**U.S. PATENT DOCUMENTS**

2,776,596	A	1/1957	Morris	
3,652,146	A	3/1972	George	
3,765,745	A	10/1973	Burboeck	
4,012,111	A	3/1977	Masterson	
4,189,953	A	2/1980	Volk	
4,402,576	A	9/1983	Stahl	
4,538,885	A *	9/1985	Graham et al.	359/393
4,552,033	A	11/1985	Marzhauser	
4,557,568	A	12/1985	Van Benschoten	
4,711,537	A	12/1987	Schindl et al.	
4,766,465	A	8/1988	Takahashi	

5,040,431	A *	8/1991	Sakino et al.	74/490.09
5,228,357	A *	7/1993	Dosaka	74/490.15
5,364,790	A	11/1994	Atwood et al.	
5,623,853	A	4/1997	Novak et al.	
5,786,936	A	7/1998	Baumann et al.	
5,802,925	A *	9/1998	Kanao	74/490.13
5,991,005	A *	11/1999	Horikawa et al.	355/53
5,996,437	A	12/1999	Novak et al.	
6,134,981	A	10/2000	Novak et al.	
6,563,635	B2 *	5/2003	Nishida et al.	359/393
6,781,753	B2 *	8/2004	Gunderson	359/393
6,920,803	B2	7/2005	Hasegawa	
6,943,942	B2	9/2005	Horiguchi et al.	
7,180,662	B2	2/2007	Rondeau et al.	
7,293,885	B2	11/2007	Kramer et al.	
7,308,747	B2	12/2007	Smith et al.	
7,330,306	B2 *	2/2008	Roeth et al.	359/391
D596,655	S	7/2009	Maerzhaeuser	
7,576,912	B2	8/2009	Schutze et al.	
D601,178	S	9/2009	Apotheloz	
7,791,796	B2	9/2010	Ue et al.	
D632,717	S *	2/2011	Maerzhaeuser et al.	D16/131

\* cited by examiner

*Primary Examiner* — Paula Greene

(74) *Attorney, Agent, or Firm* — Crowell & Moring LLP

(57) **CLAIM**

The ornamental design for a microscope table, as shown and described.

**DESCRIPTION**

FIG. 1 is a top, right perspective view of a microscope table showing our new design;

FIG. 2 is a top, left perspective view thereof;

FIG. 3 is a top view thereof;

FIG. 4 is a front view thereof;

FIG. 5 is a rear view thereof;

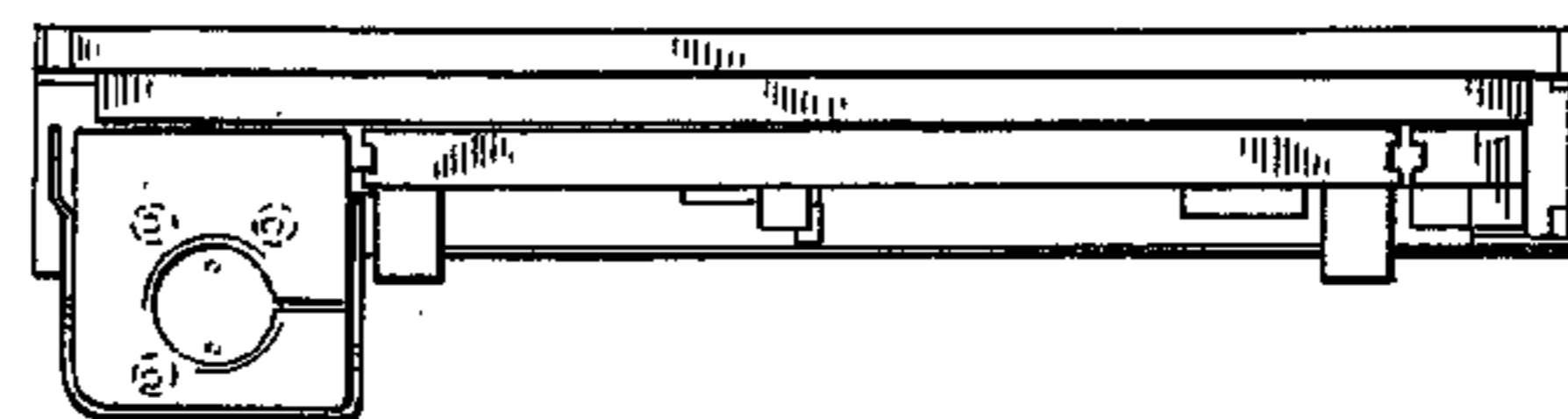
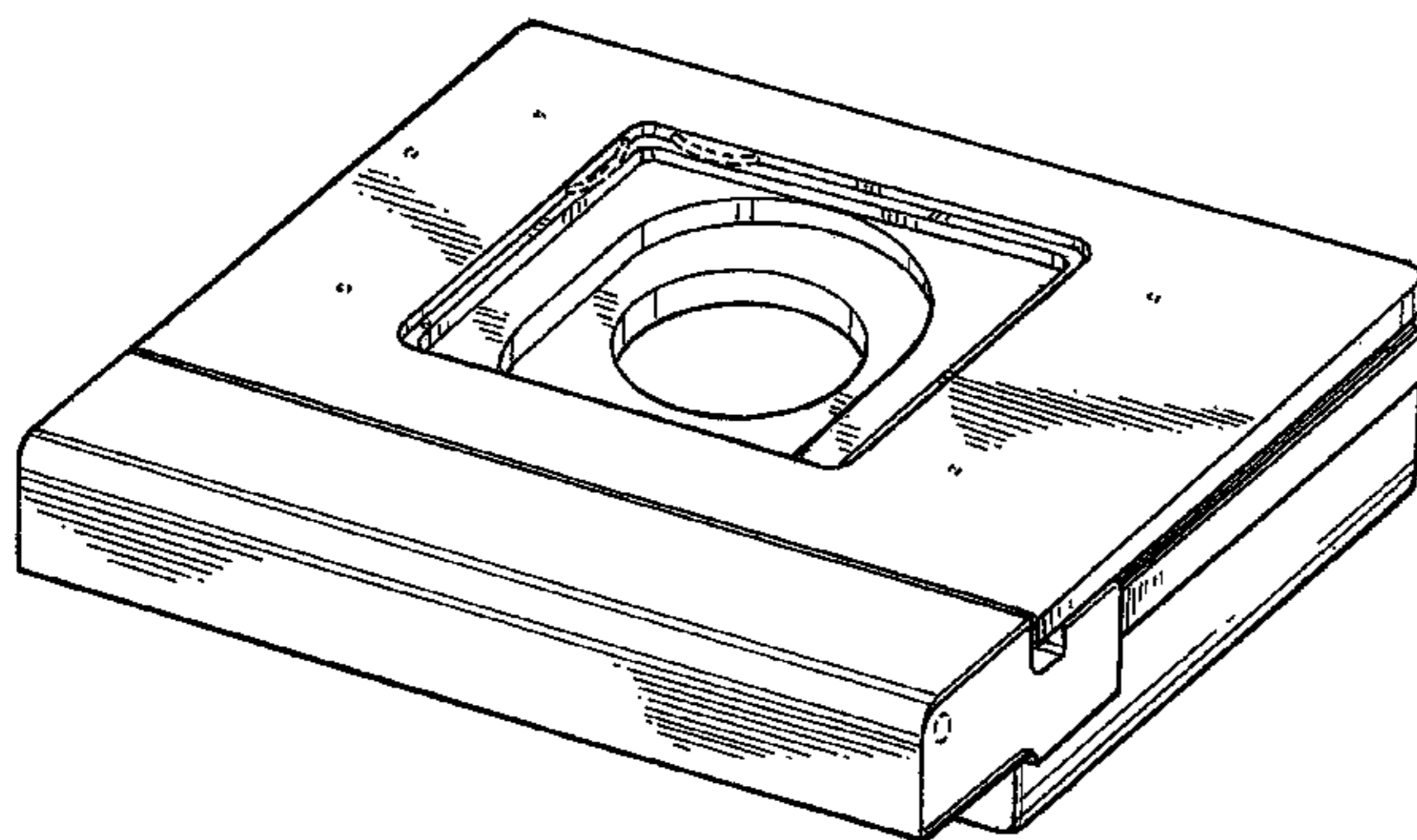
FIG. 6 is a bottom view thereof;

FIG. 7 is a left view thereof; and,

FIG. 8 is a right view thereof.

The broken lines form no part of the claimed design.

**1 Claim, 3 Drawing Sheets**



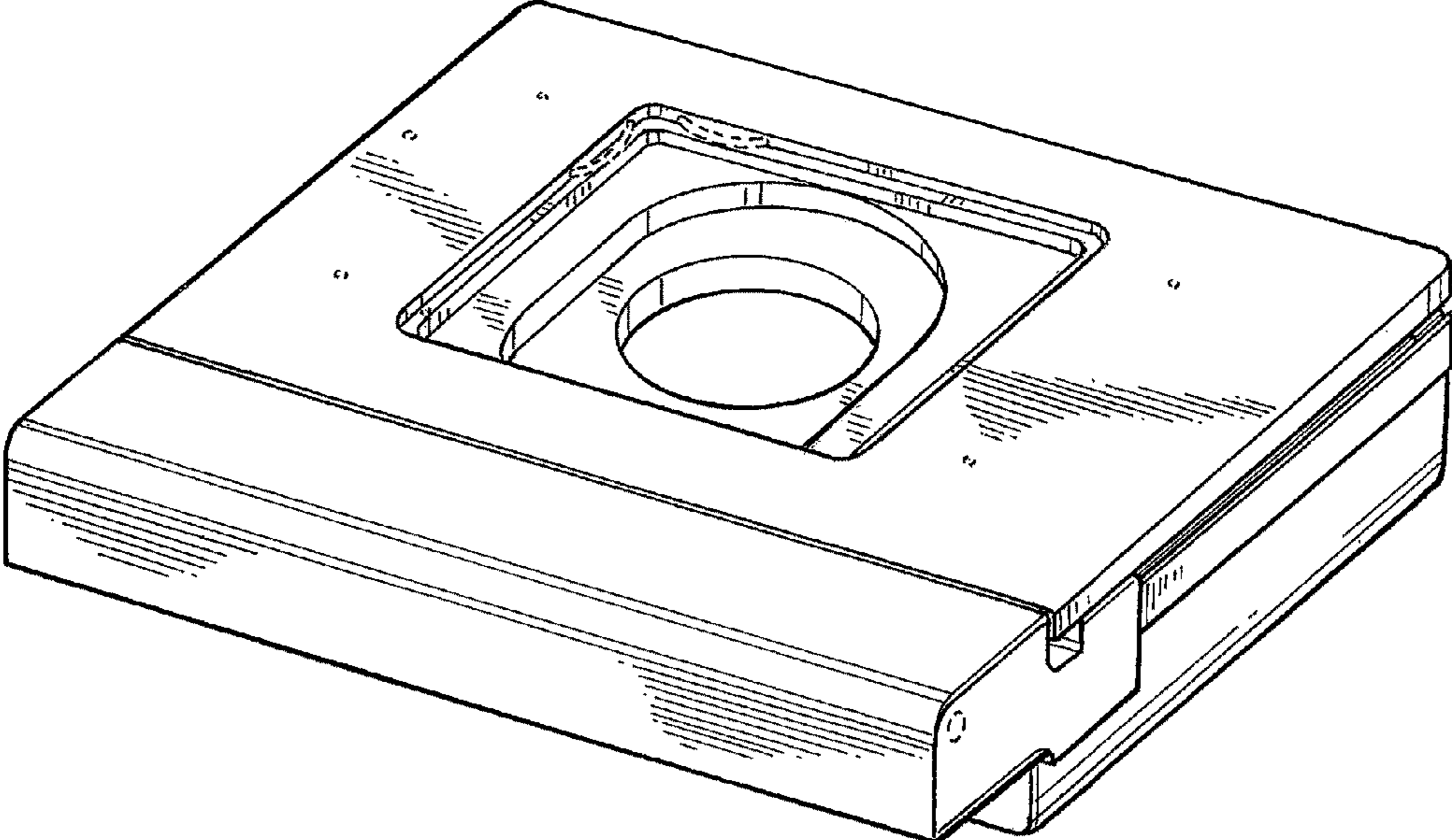


FIG. 1

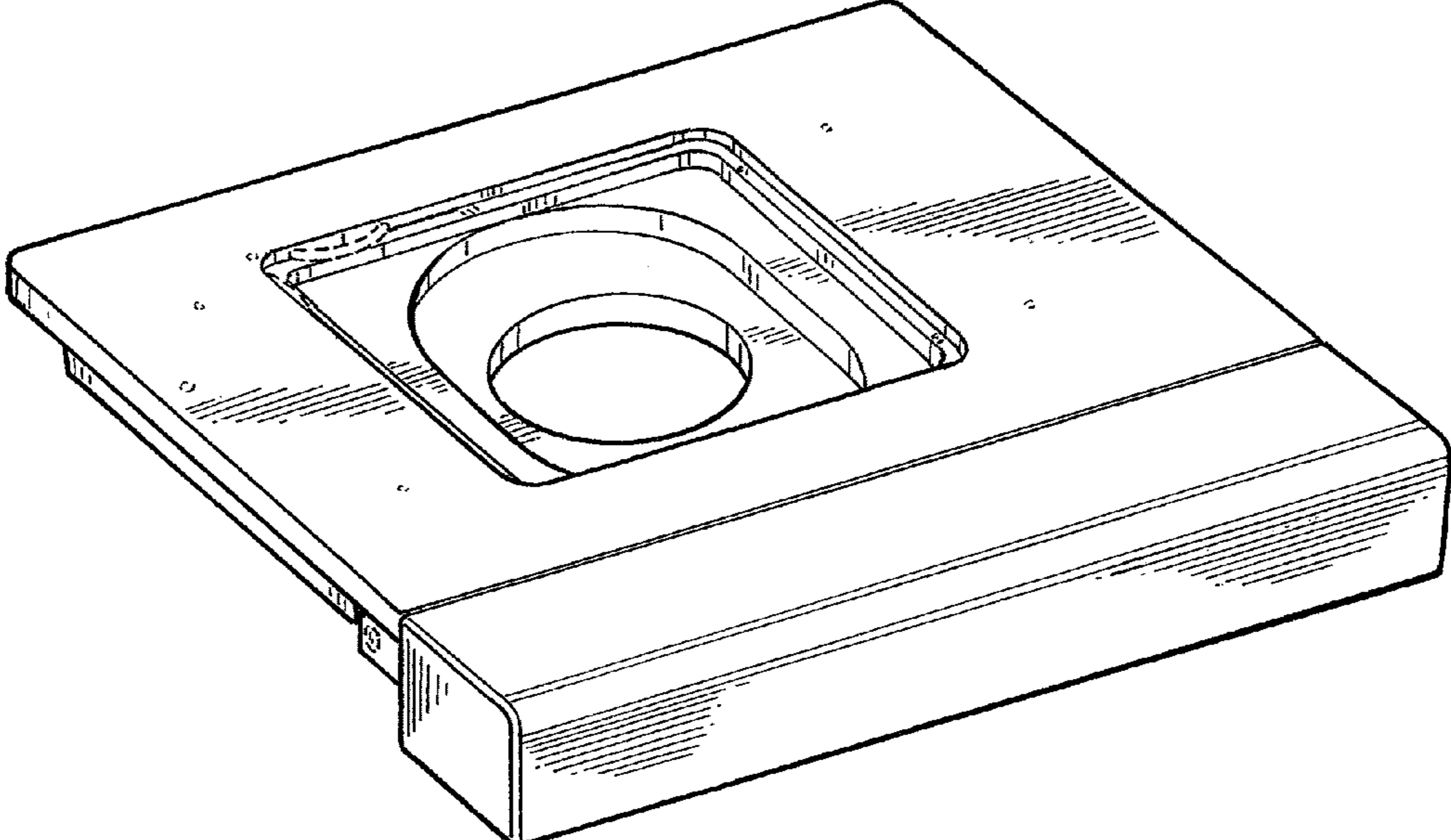


FIG. 2

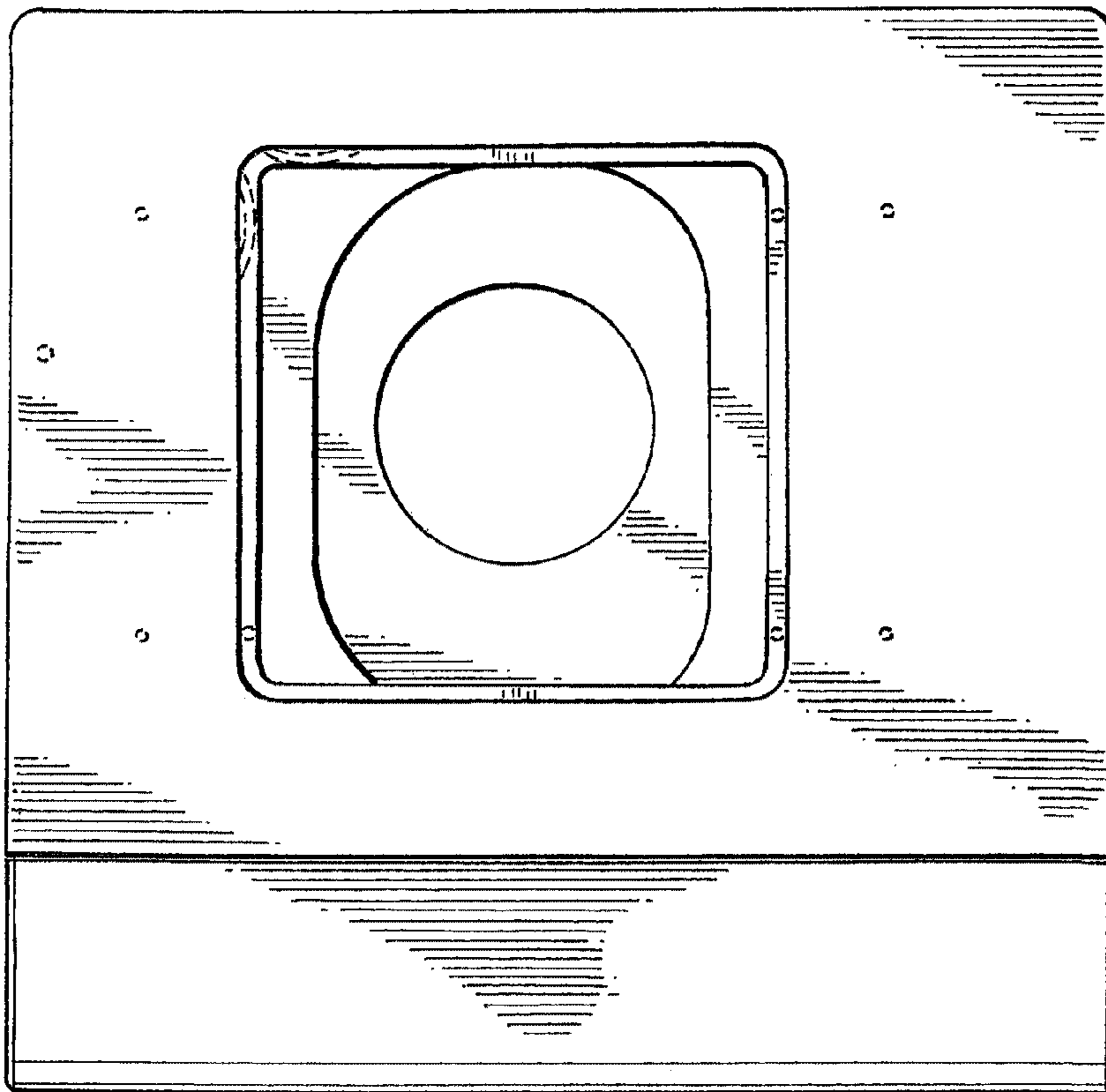


FIG. 3

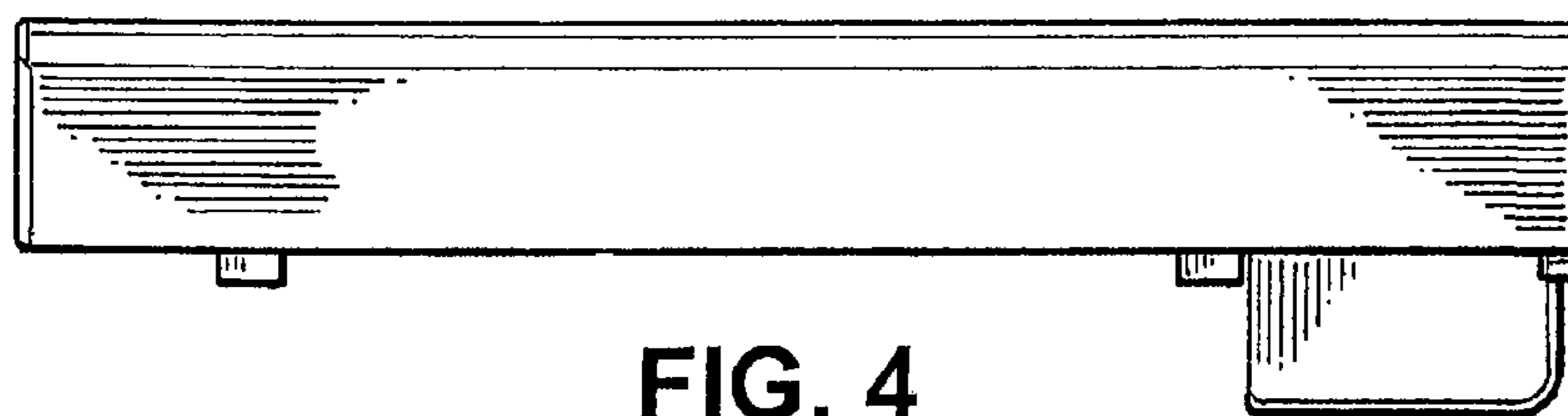


FIG. 4

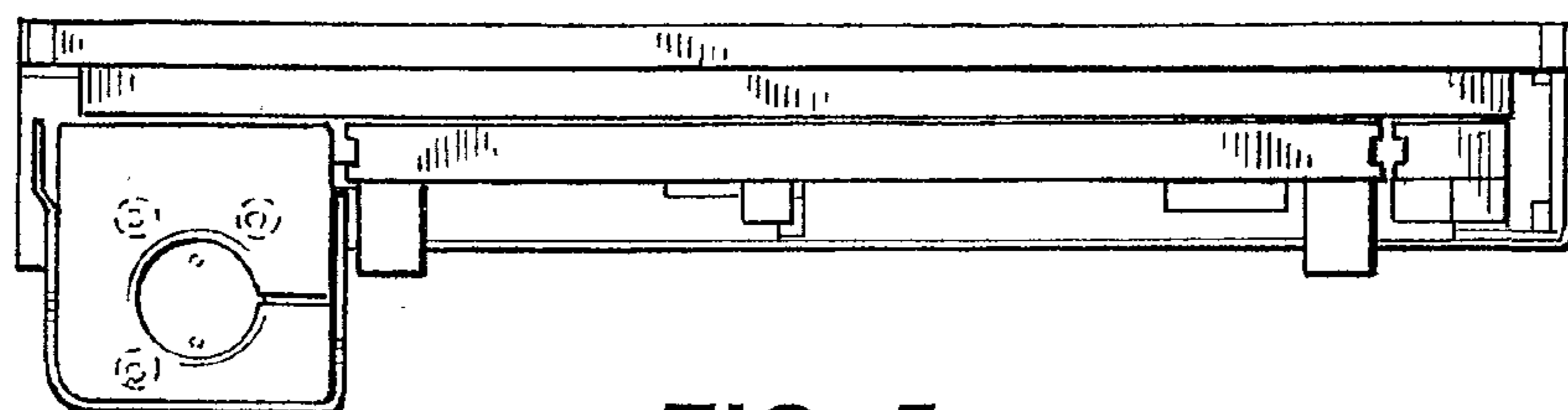


FIG. 5

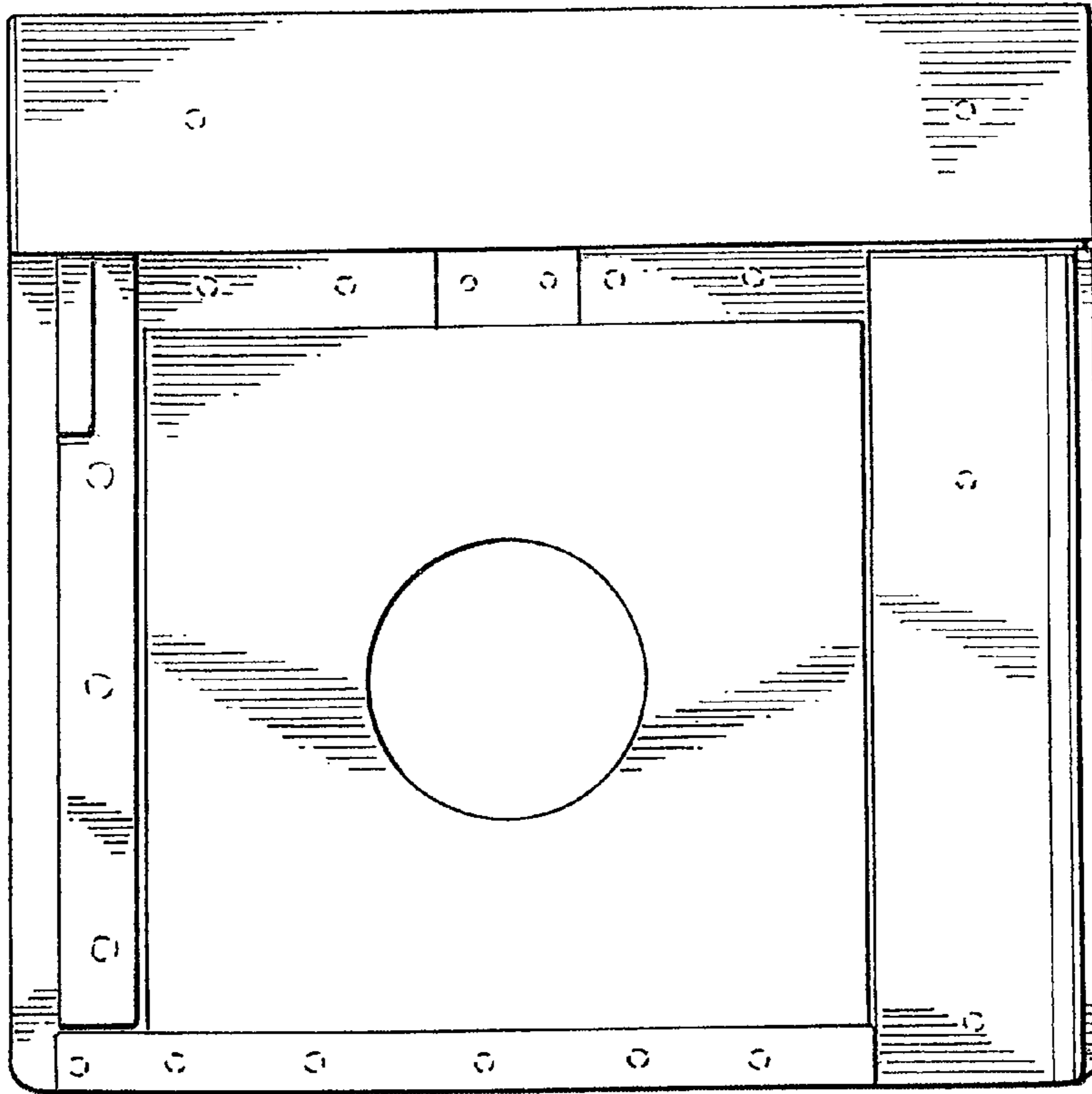


FIG. 6

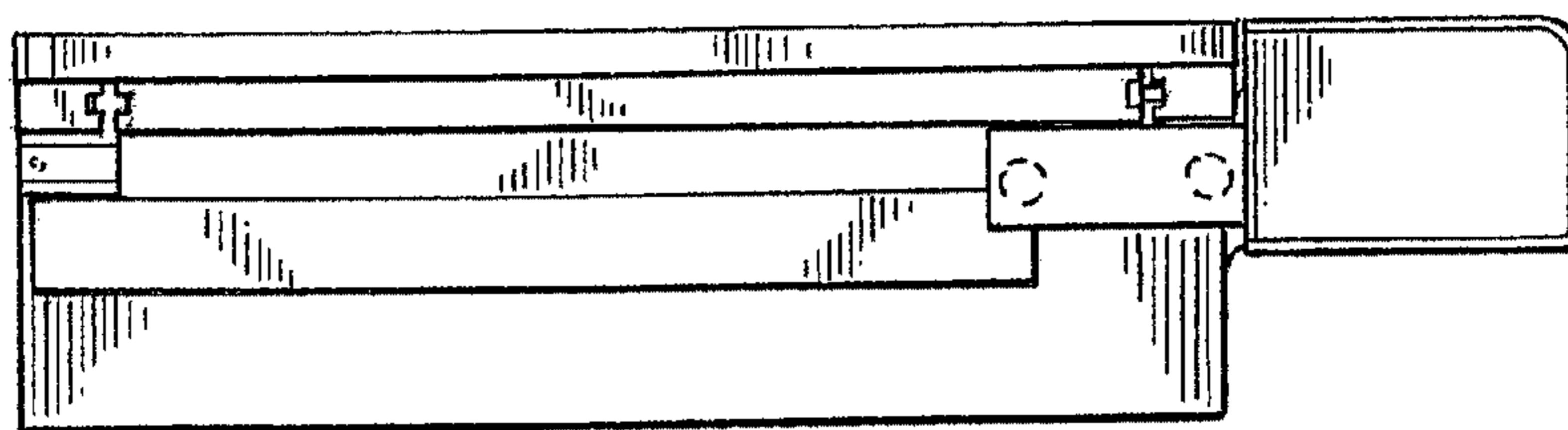


FIG. 7

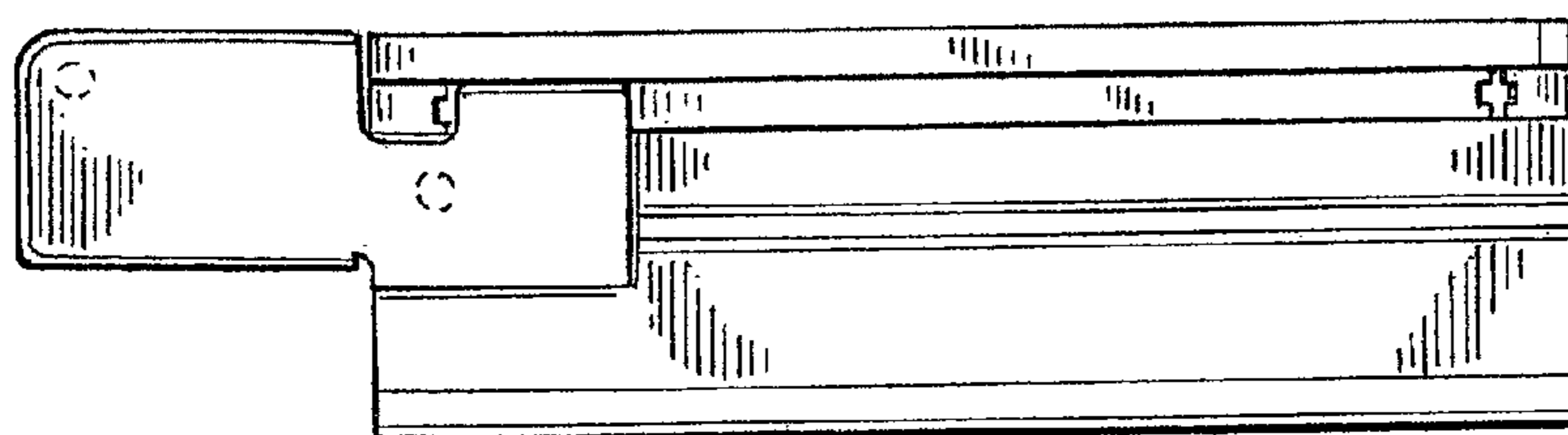


FIG. 8