



US00D641385S

(12) **United States Design Patent**  
**Armstrong**

(10) **Patent No.:** **US D641,385 S**

(45) **Date of Patent:** **\*\* Jul. 12, 2011**

(54) **DRY SUMP OIL PAN FOR AN ENGINE**

(76) Inventor: **Gary D. Armstrong**, Orangevale, CA  
(US)

(\*\*) Term: **14 Years**

(21) Appl. No.: **29/318,520**

(22) Filed: **May 21, 2008**

(51) **LOC (9) Cl.** ..... **15-01**

(52) **U.S. Cl.** ..... **D15/150**

(58) **Field of Classification Search** ..... D15/1-5,  
D15/150; 123/196 AB, 195 C, 196 C, 196 R,  
123/198 E, 573; 184/6.5, 6.11, 6.13, 76,  
184/7.4, 106; 210/461, 172.1, 167.02, 188,  
210/450; 180/69.1; 296/38

See application file for complete search history.

(56) **References Cited**

**U.S. PATENT DOCUMENTS**

4,762,201	A *	8/1988	Malik	.....	184/6.13
D317,923	S *	7/1991	Barrett	.....	D15/5
5,130,014	A *	7/1992	Volz	.....	210/130
D359,293	S *	6/1995	Graham et al.	.....	D15/150
D412,713	S *	8/1999	Hill	.....	D15/150

5,937,817	A *	8/1999	Schanz et al.	.....	123/196 AB
D423,531	S *	4/2000	Becker	.....	D15/150
6,397,795	B2 *	6/2002	Hare	.....	123/65 PE
7,603,839	B2 *	10/2009	Dooley	.....	60/39.08
7,637,337	B2 *	12/2009	Stranges	.....	180/69.1

\* cited by examiner

*Primary Examiner* — Phillip S Hyder

*Assistant Examiner* — Linda G. Brooks

(74) *Attorney, Agent, or Firm* — QuickPatents, Inc.; Kevin Price

(57) **CLAIM**

The ornamental design for a dry sump oil pan for an engine, as shown and described.

**DESCRIPTION**

FIG. 1 is a perspective view of a dry sump oil pan for an engine, showing my new design;

FIG. 2 is a front elevational view thereof;

FIG. 3 is a rear elevational view thereof;

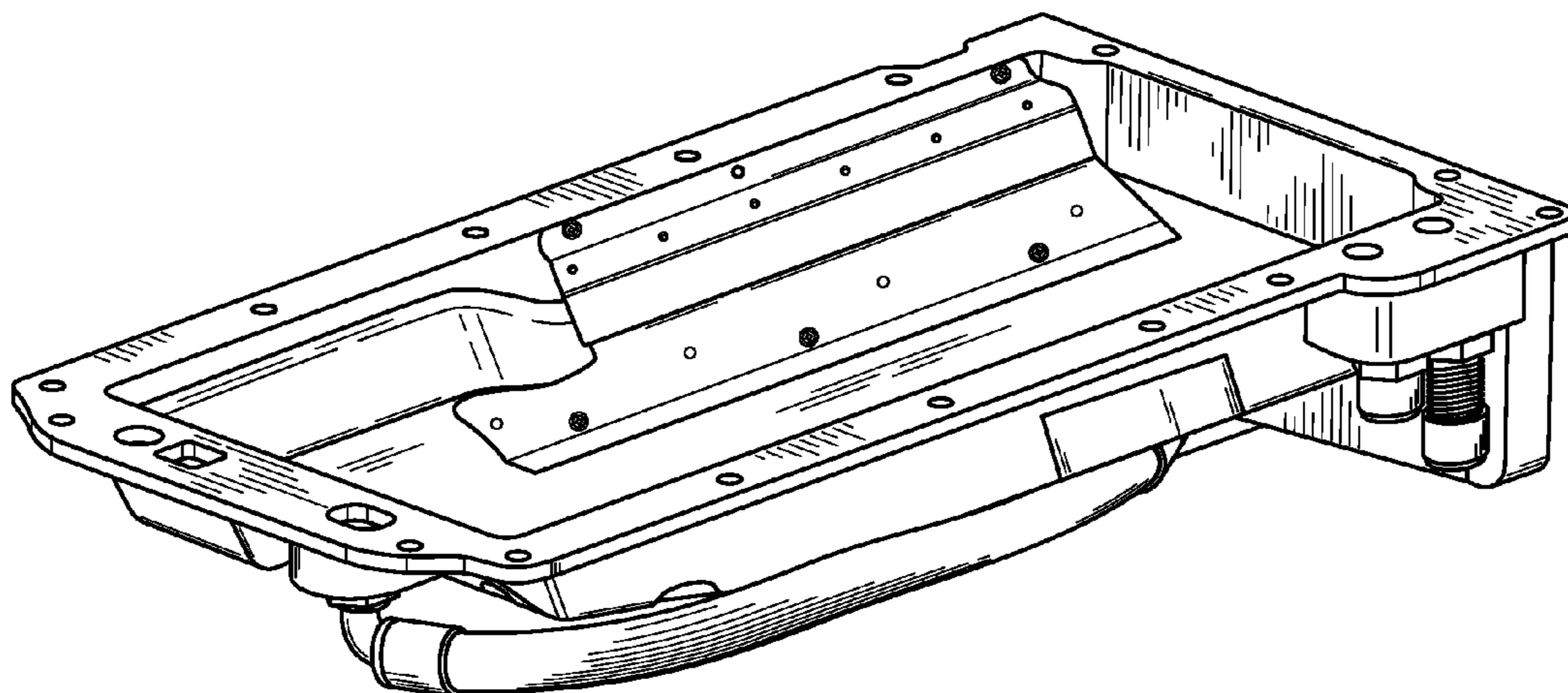
FIG. 4 is a left-side elevational view thereof;

FIG. 5 is a right-side elevational view thereof;

FIG. 6 is a top plan view thereof; and,

FIG. 7 is a bottom plan view thereof.

**1 Claim, 2 Drawing Sheets**



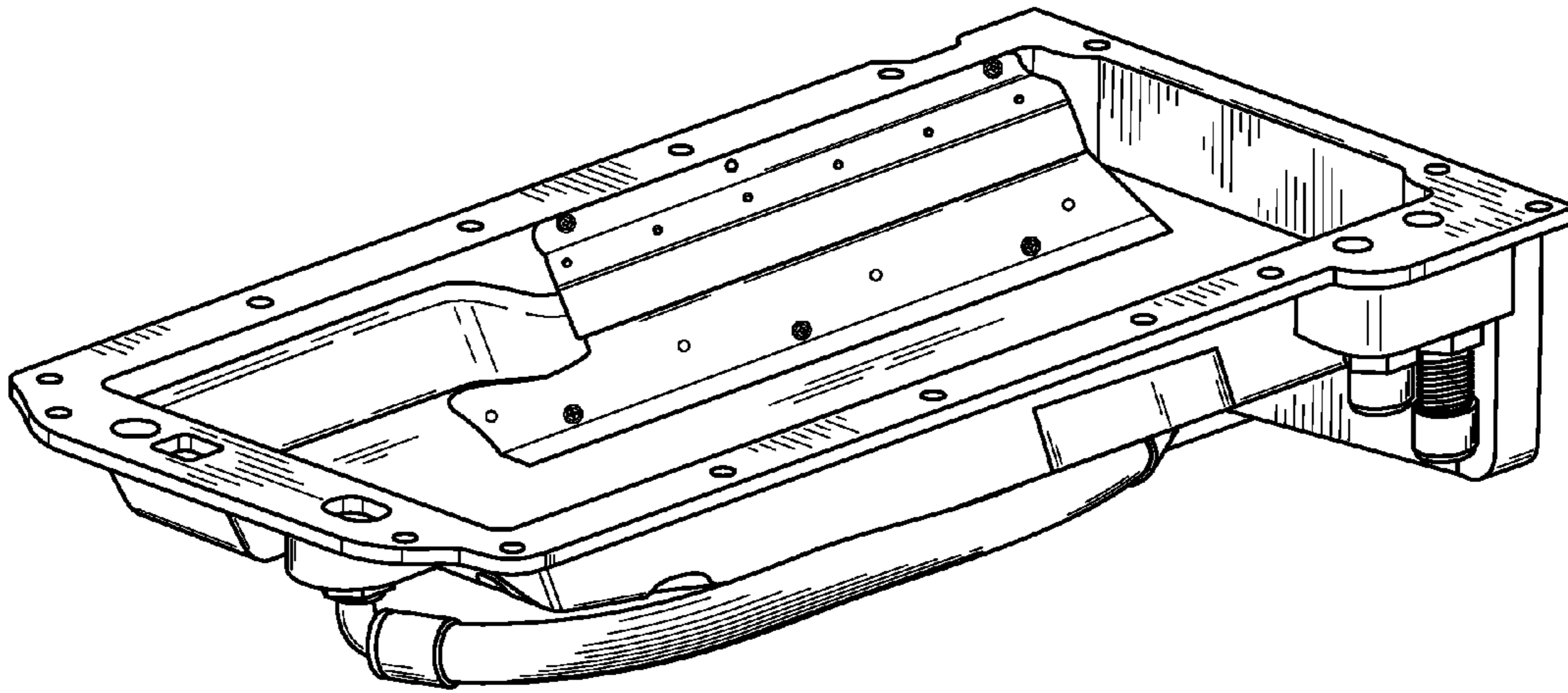


FIG. 1

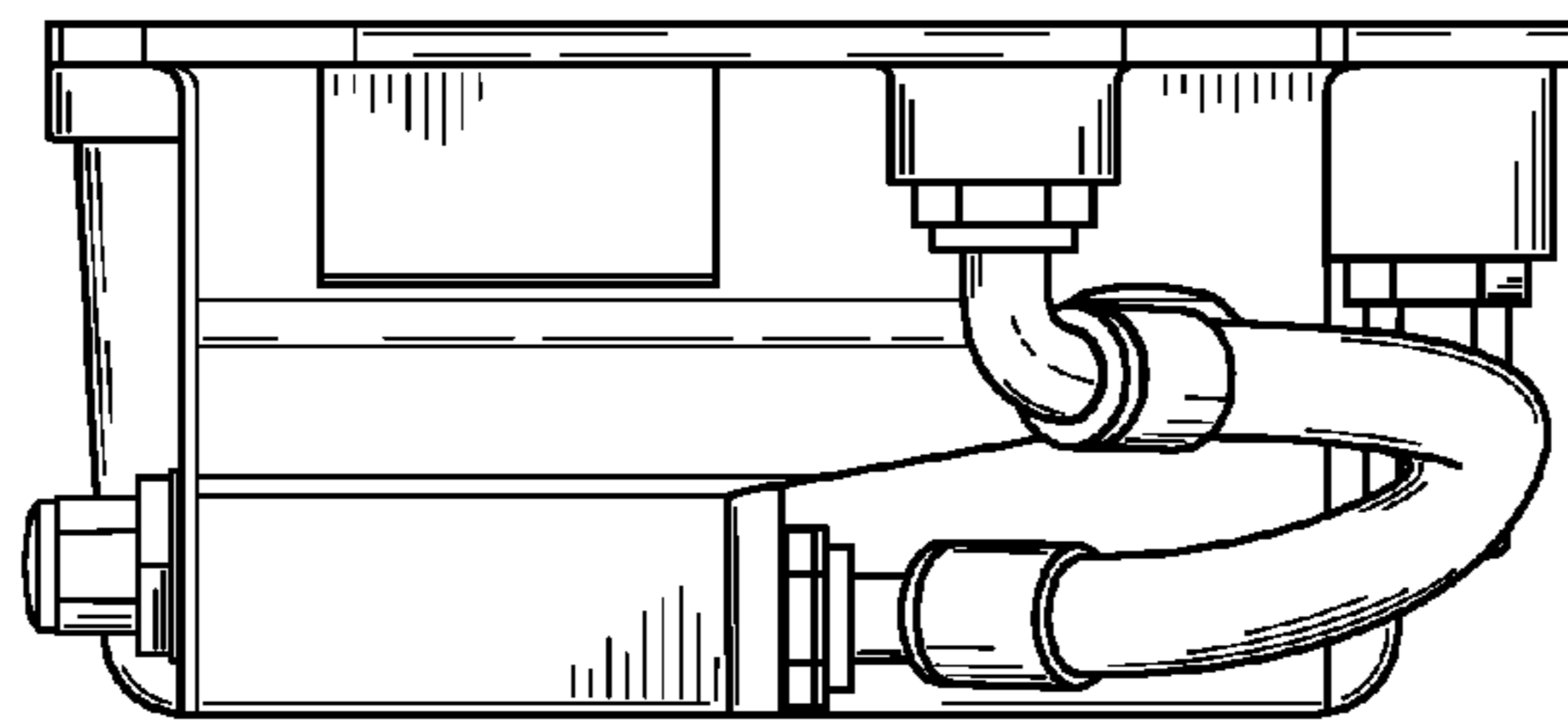


FIG. 2

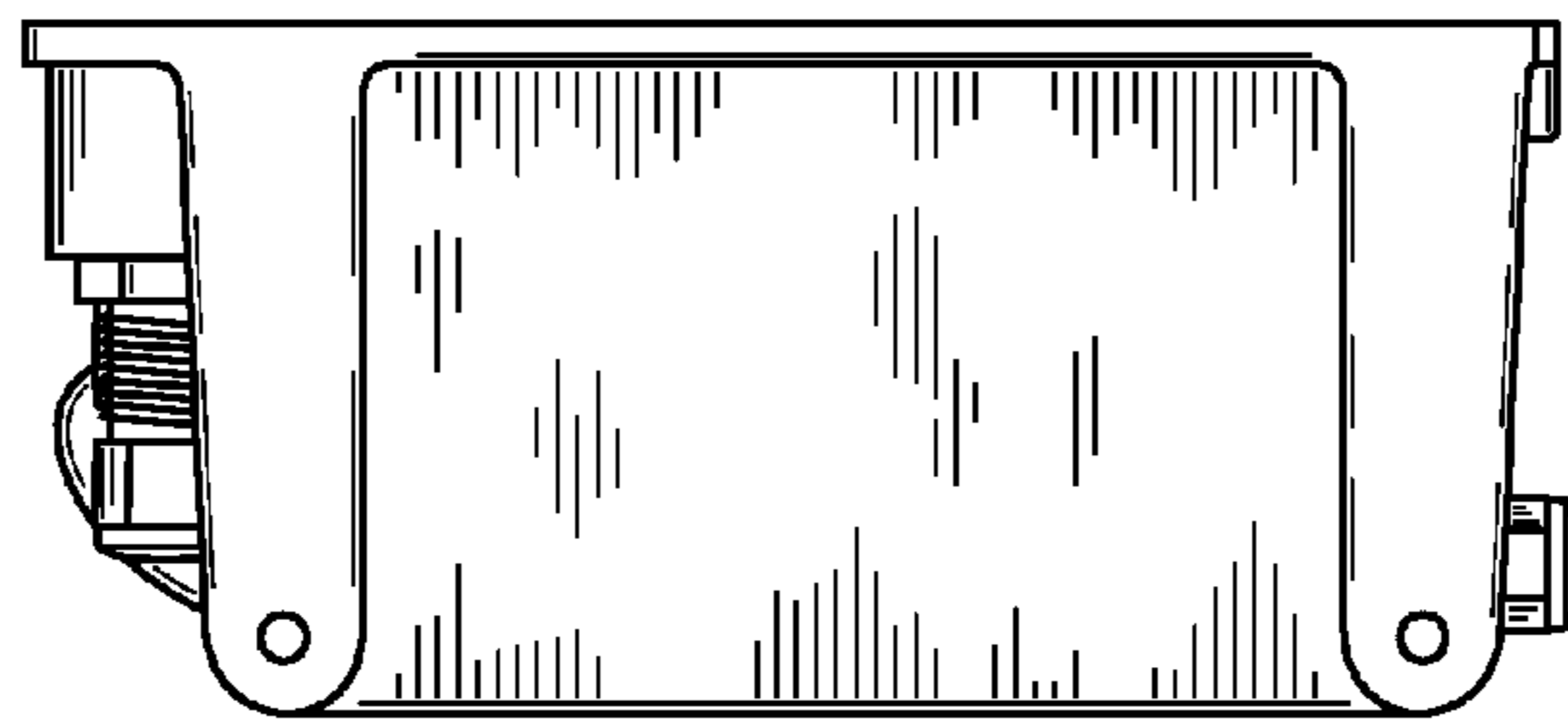


FIG. 3

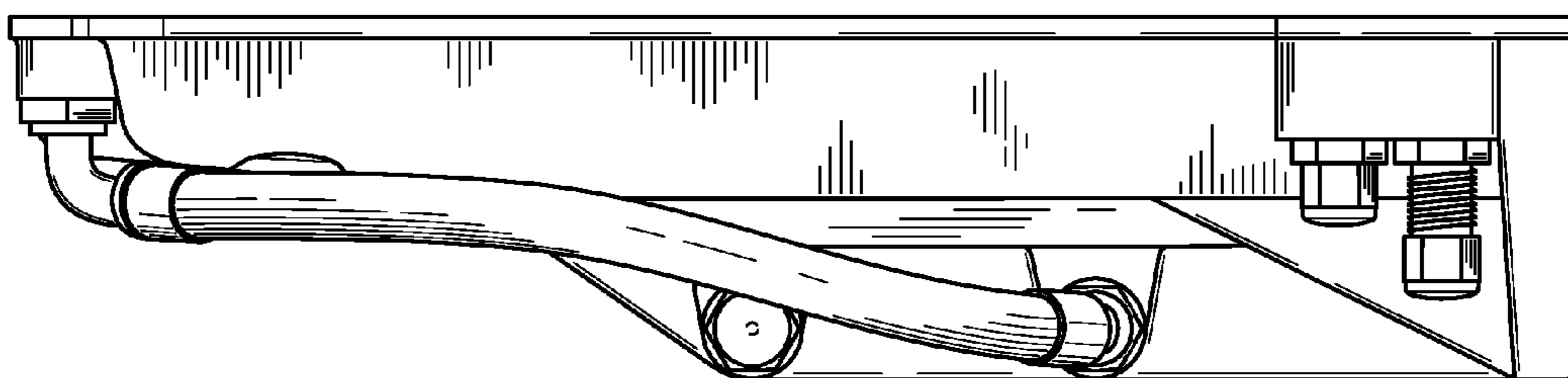


FIG. 4

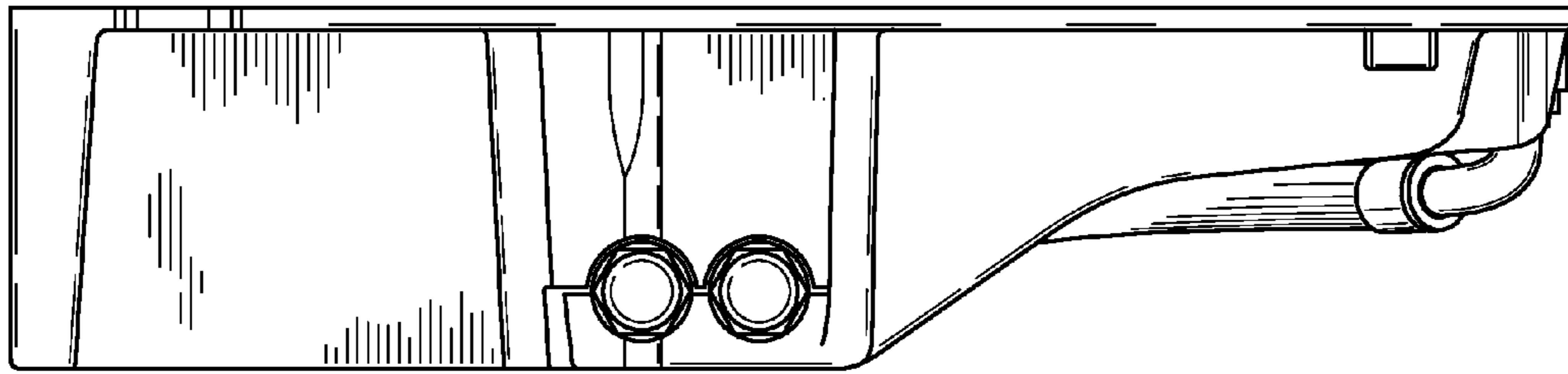


FIG. 5

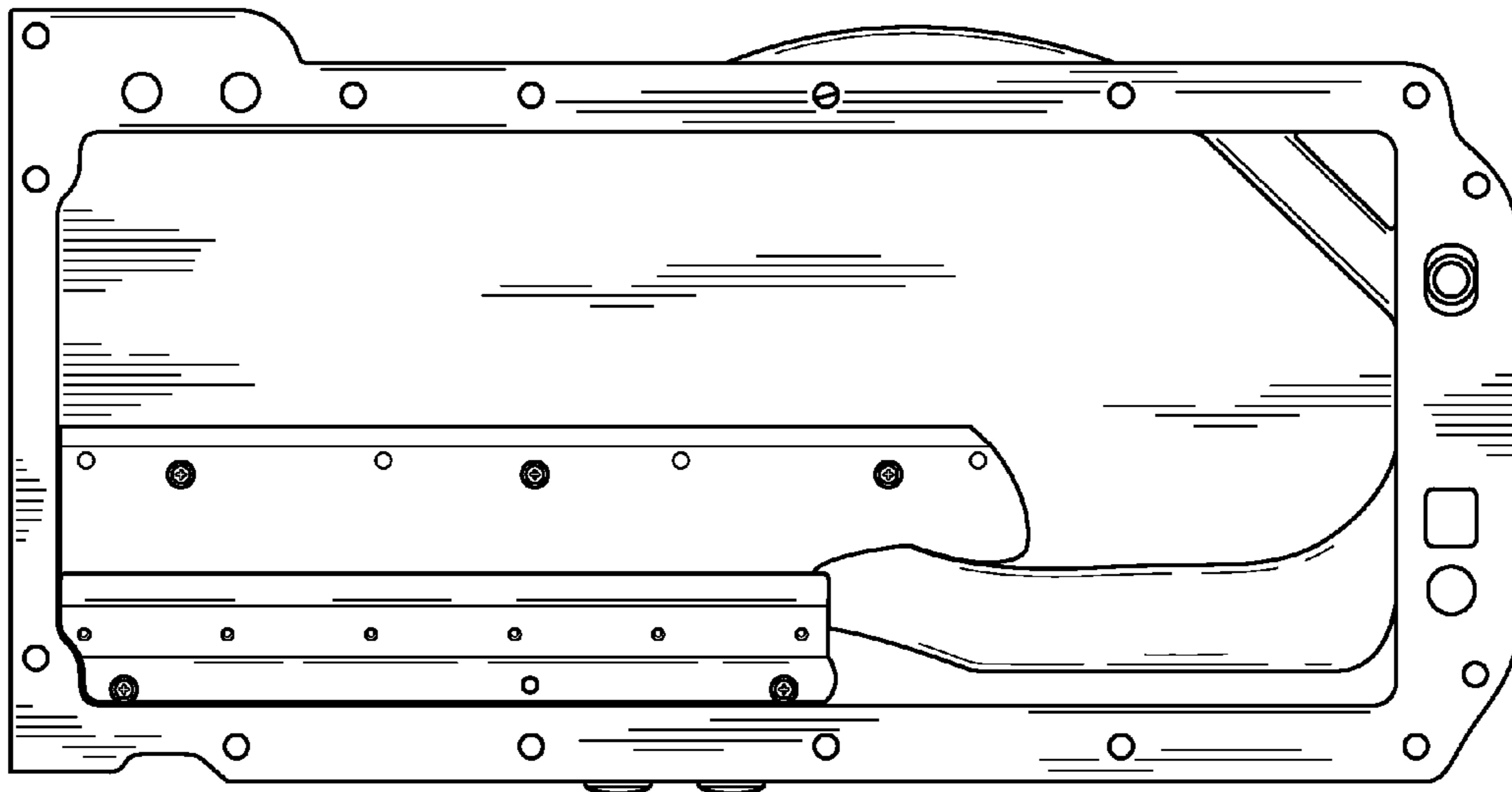


FIG. 6

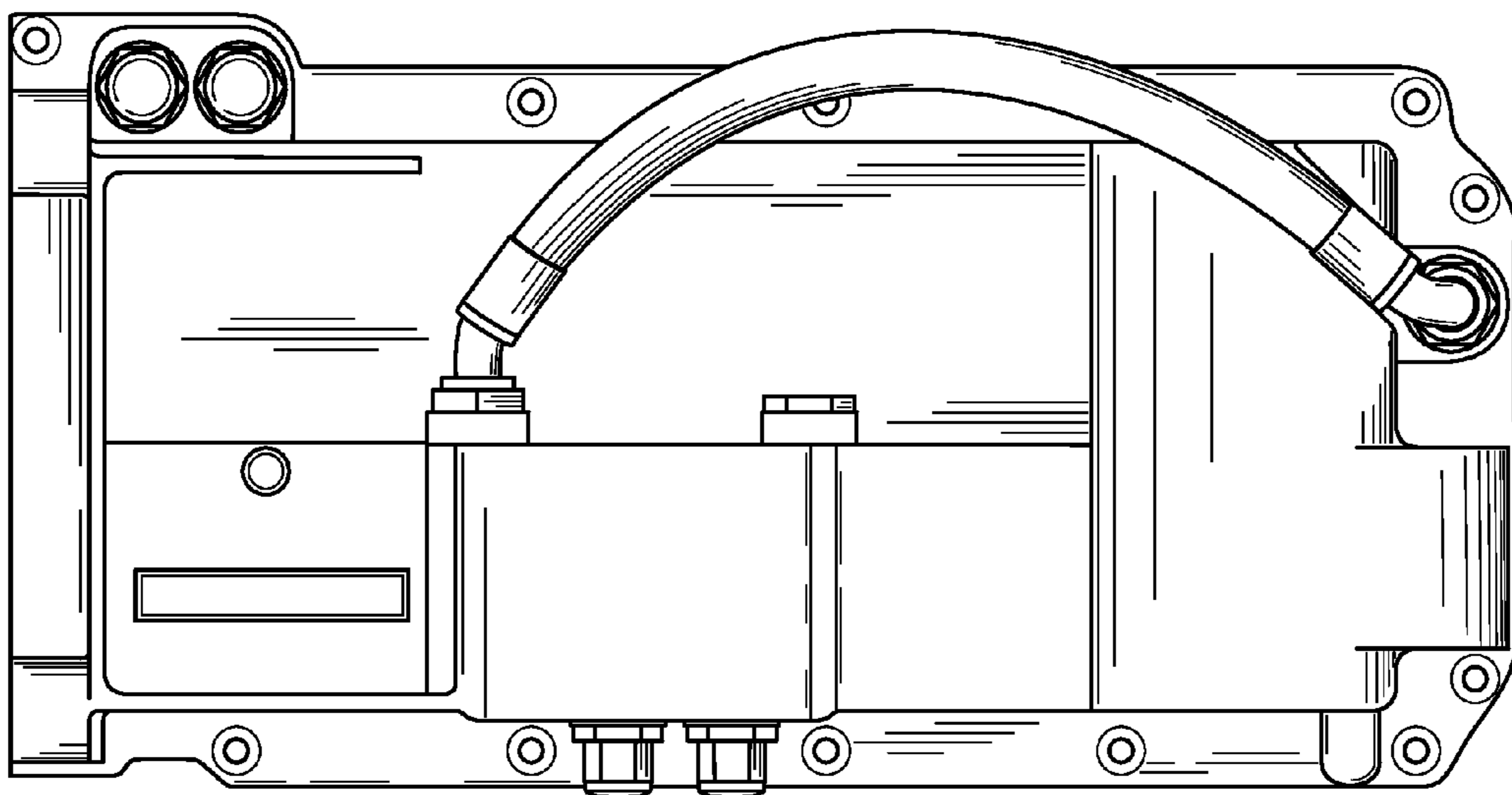


FIG. 7