



US00D641383S

(12) **United States Design Patent**  
**Gruber**

(10) **Patent No.:** **US D641,383 S**

(45) **Date of Patent:** **\*\* \*Jul. 12, 2011**

(54) **COMPRESSOR HOUSING**

(76) Inventor: **Lillian B. Gruber**, Long Beach, NY  
(US)

(\*\*) Term: **14 Years**

(21) Appl. No.: **29/375,409**

(22) Filed: **Sep. 22, 2010**

(51) **LOC (9) Cl.** ..... **15-02**

(52) **U.S. Cl.** ..... **D15/7**

(58) **Field of Classification Search** ..... D15/7-9;  
D23/231, 232, 225; 417/410.1, 359, 415-416,  
417/234, 321, 265, 405

See application file for complete search history.

(56) **References Cited**

**U.S. PATENT DOCUMENTS**

D293,447 S	12/1987	Hefling	
D375,962 S	* 11/1996	Wong	D15/9
D434,048 S	* 11/2000	Orschell et al.	D15/9
D536,708 S	* 2/2007	Bass	D15/9

D573,608 S	*	7/2008	Chan et al.	D15/7
D624,093 S	*	9/2010	Lu	D15/7
D632,702 S		2/2011	Gruber	

\* cited by examiner

*Primary Examiner* — Ralf Seifert

(74) *Attorney, Agent, or Firm* — Collard & Roe, PC.

(57) **CLAIM**

A housing for a compressor housing, as shown and described.

**DESCRIPTION**

FIG. 1 is a top-right perspective view of compressor housing; FIG. 2 is an end view of the compressor housing shown in FIG. 1;

FIG. 3 is an opposite end view of the compressor housing shown in FIG. 2;

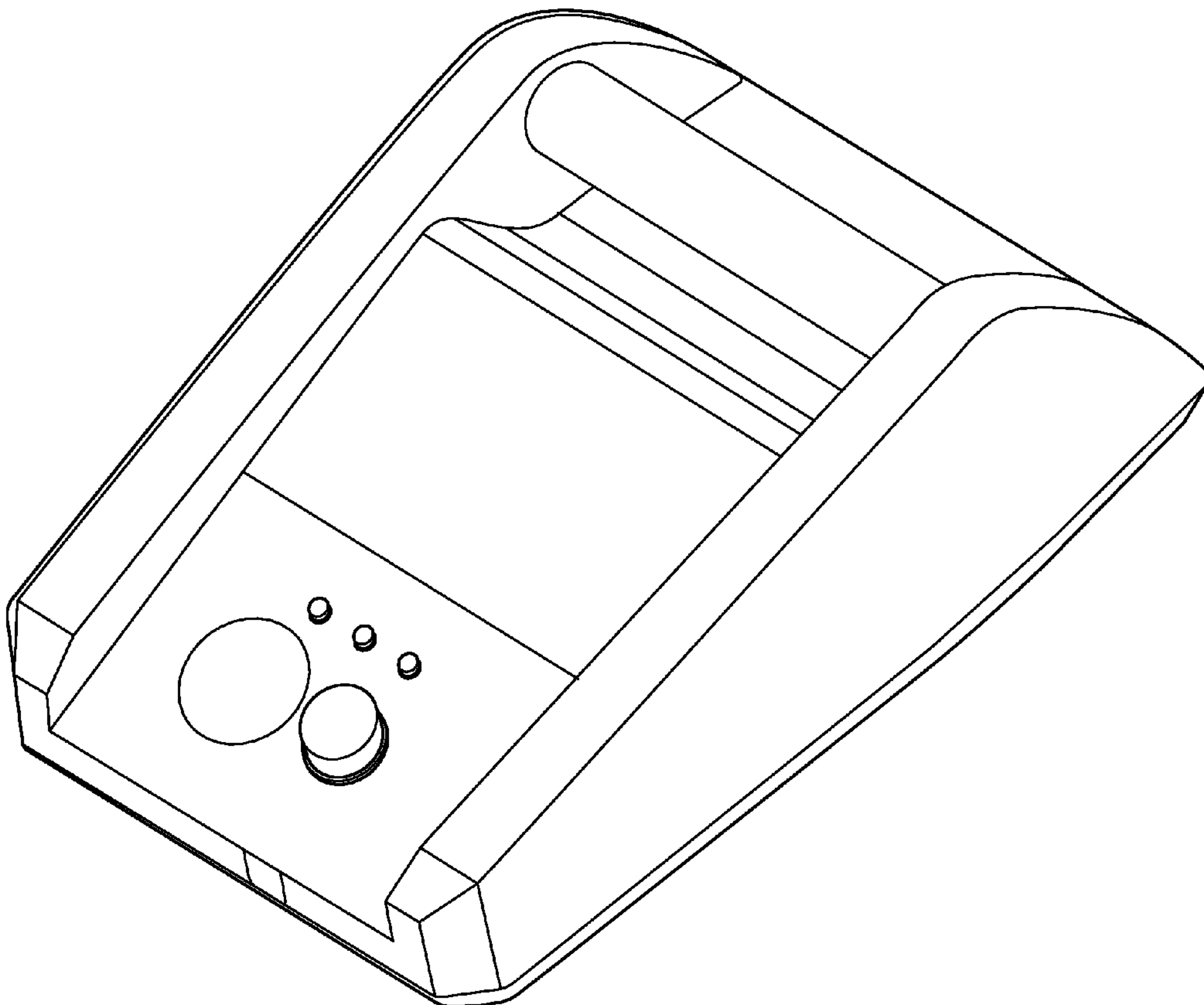
FIG. 4 is a top view of the housing as shown in FIG. 1;

FIG. 5 is a side view of the housing shown in FIG. 1; and,

FIG. 6 is a bottom view of the housing shown in FIG. 1.

The elements shown in broken lines form no part of the claimed design.

**1 Claim, 5 Drawing Sheets**



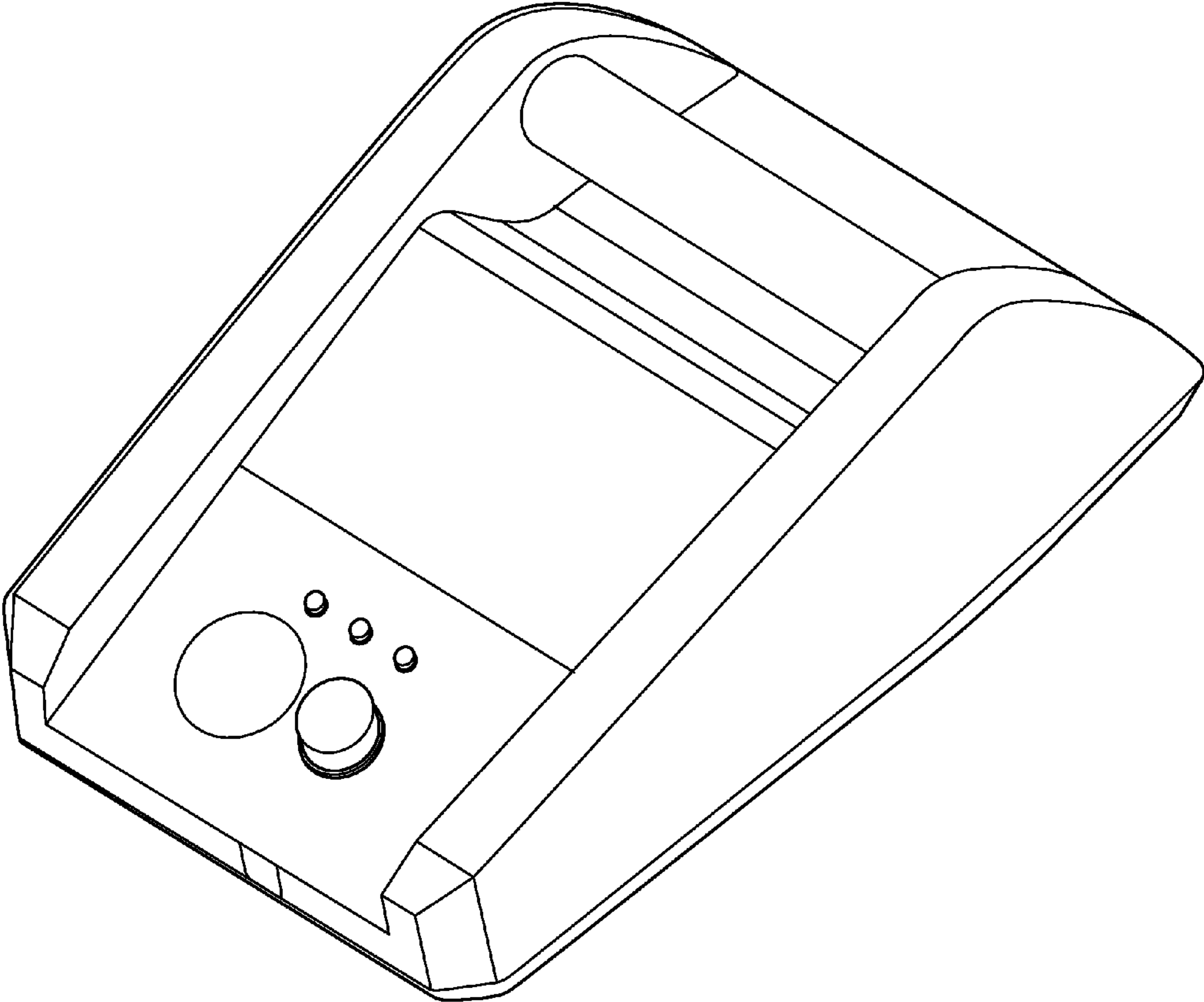


FIG. 1

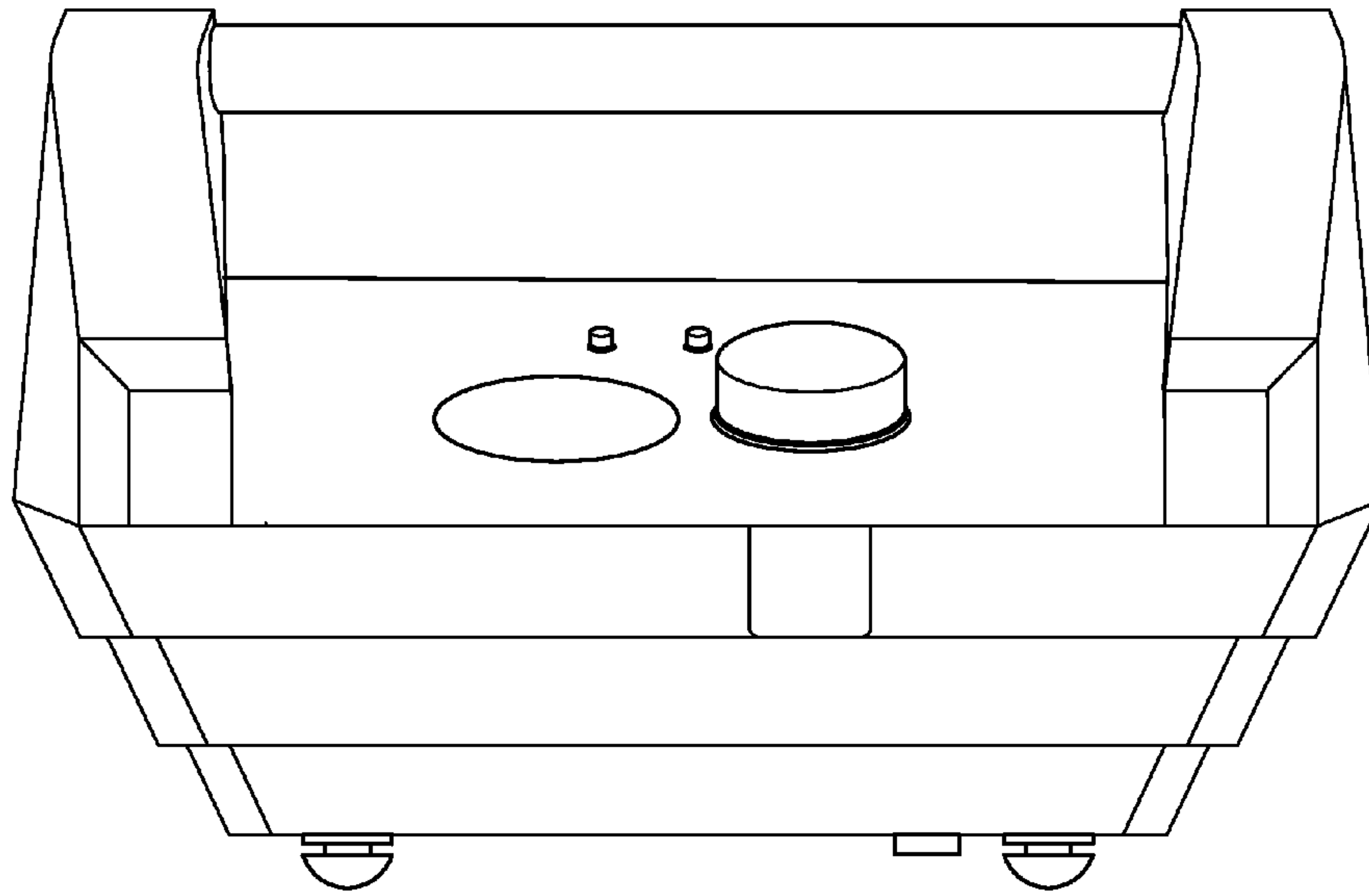


FIG. 2

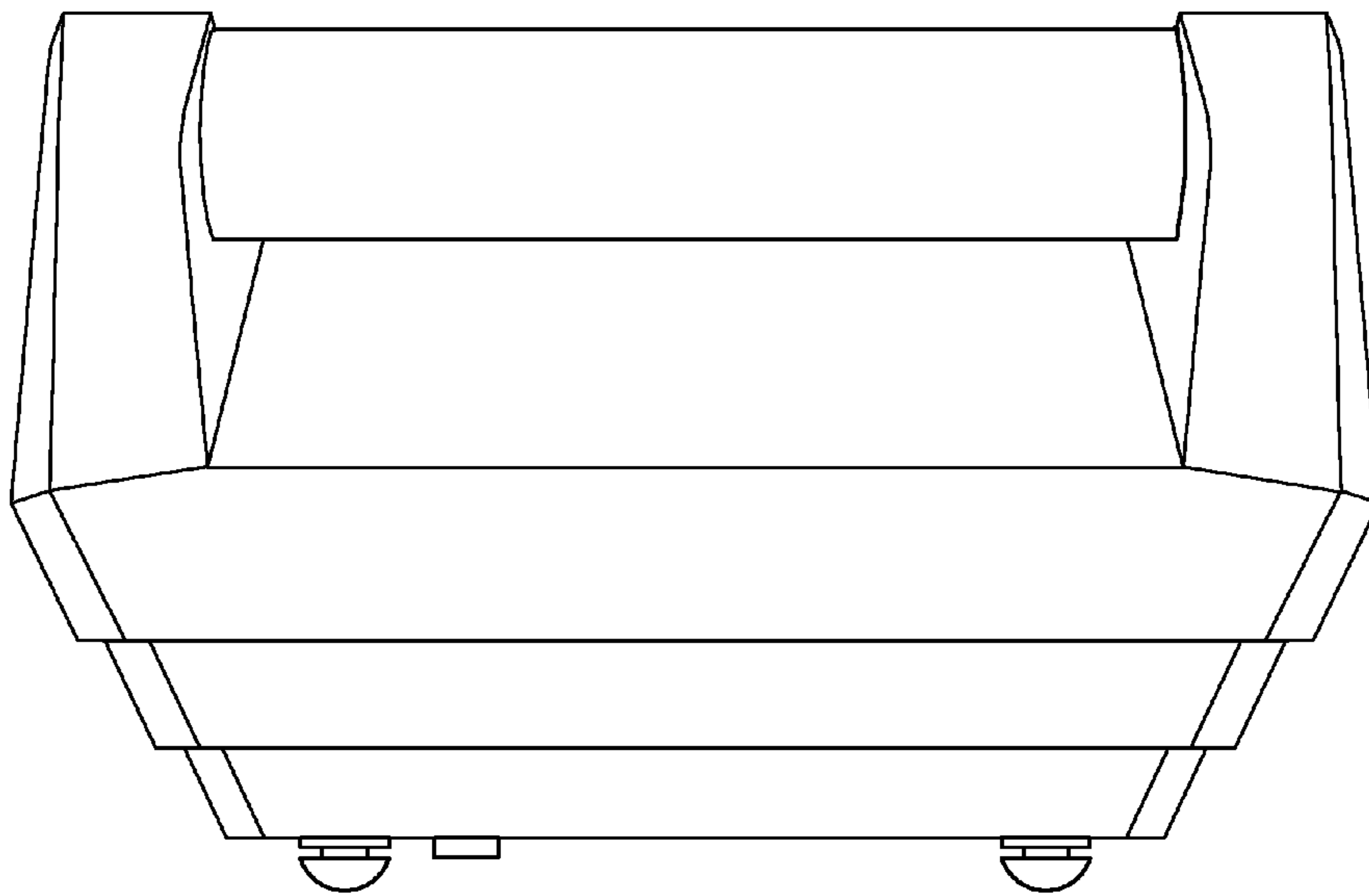


FIG. 3

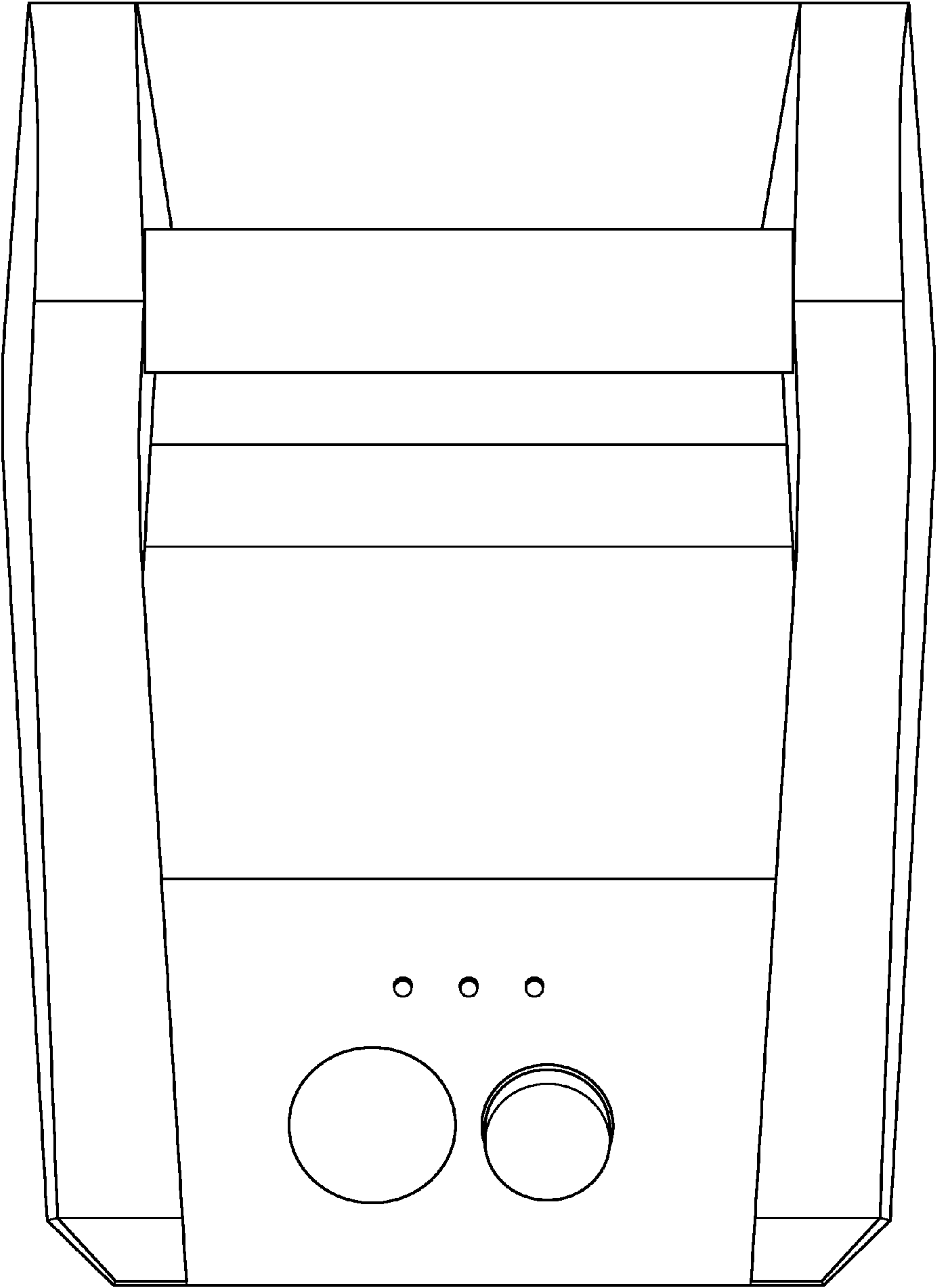
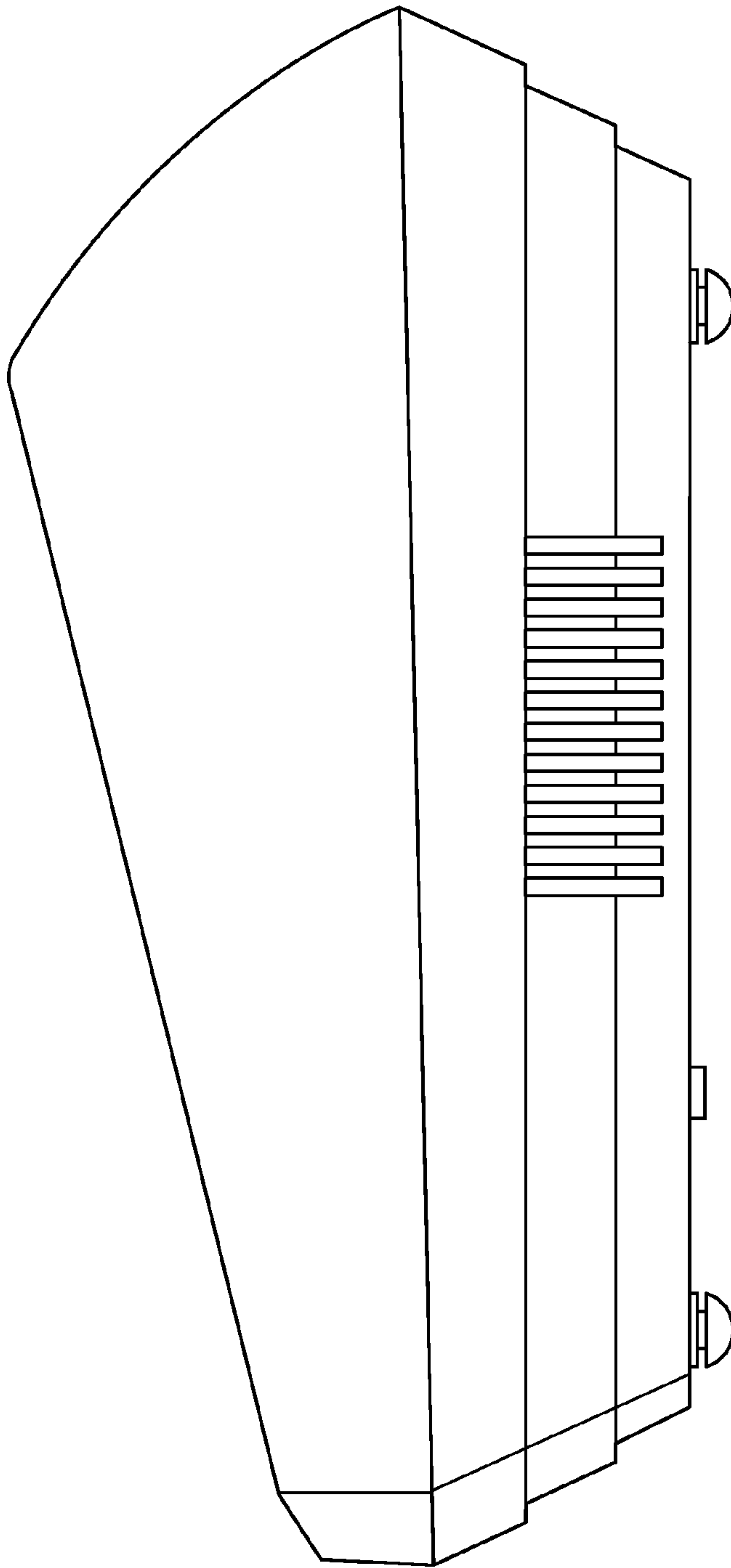


FIG. 4

FIG. 5



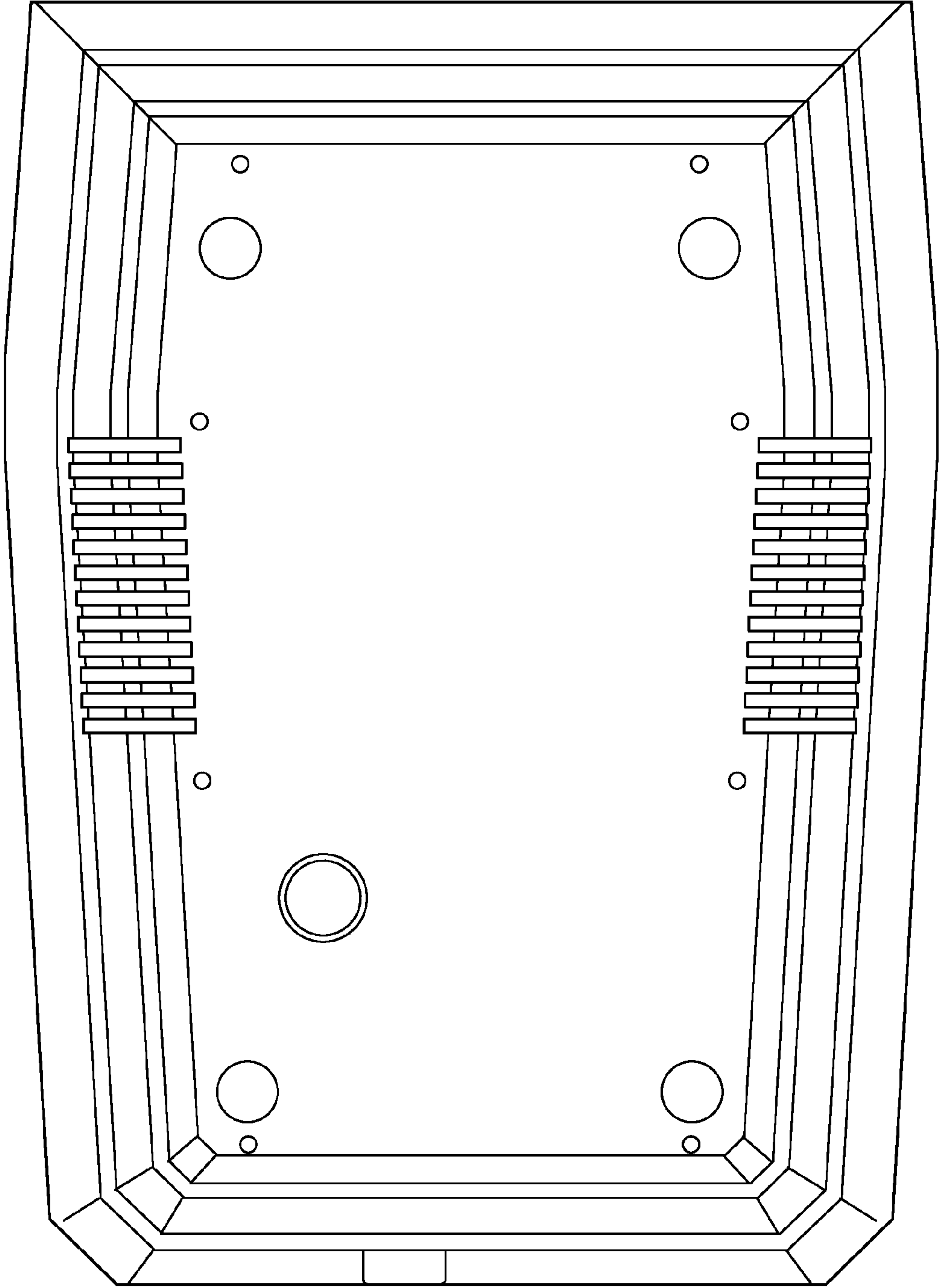


FIG. 6