



US00D641380S

(12) **United States Design Patent**
Milojevic et al.

(10) **Patent No.:** **US D641,380 S**

(45) **Date of Patent:** **** Jul. 12, 2011**

(54) **PUMP CASING**

(75) Inventors: **Steven Milojevic**, Beaverton, OR (US);
Robert Rennhard, Zurich (CH)

(73) Assignee: **Sulzer Pumpen AG**, Winterthur (CH)

(**) Term: **14 Years**

(21) Appl. No.: **29/361,346**

(22) Filed: **May 10, 2010**

(51) **LOC (9) Cl.** **15-02**

(52) **U.S. Cl.** **D15/7**

(58) **Field of Classification Search** D15/7-9;
D23/231, 232; 417/410.1, 359, 415-416,
417/234, 321, 265, 405

See application file for complete search history.

(56) **References Cited**

U.S. PATENT DOCUMENTS

D307,018 S * 4/1990 Turbanisch D15/8
5,100,288 A * 3/1992 Stanislaw 415/56.1
D368,913 S * 4/1996 Wightley D15/7

D381,339 S * 7/1997 Wightley D15/7
D610,165 S * 2/2010 Glaves et al. D15/7
D616,902 S * 6/2010 Foreman et al. D15/7

* cited by examiner

Primary Examiner — Ralf Seifert

(74) *Attorney, Agent, or Firm* — K&L Gates LLP

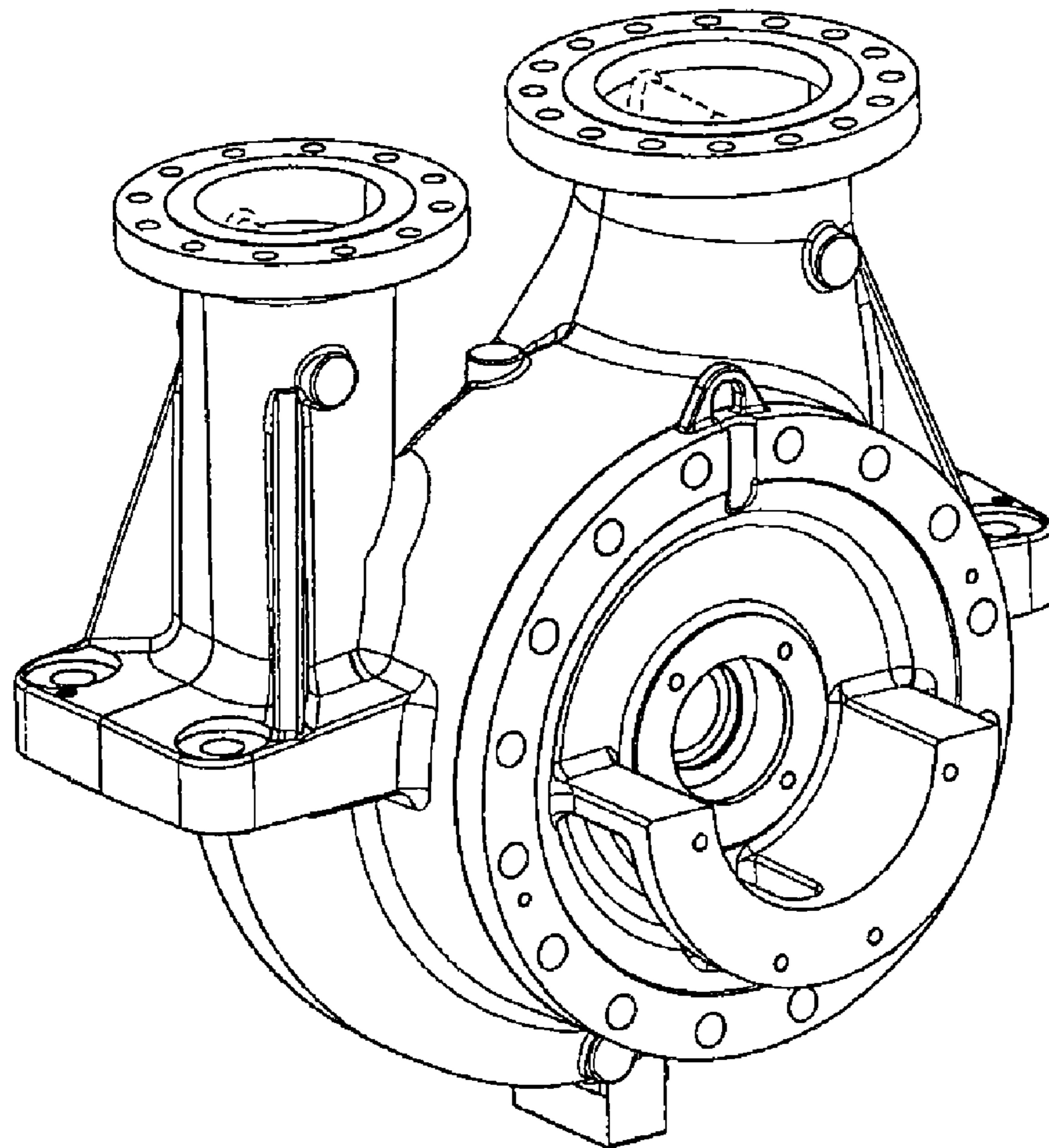
(57) **CLAIM**

The ornamental design for a pump casing, as shown and described.

DESCRIPTION

FIG. 1 is a front and upper perspective view of the design.
FIG. 2 is a left side and upper perspective view of the design.
FIG. 3 is a front view of the design.
FIG. 4 is a rear view of the design.
FIG. 5 is a left side view of the design.
FIG. 6 is a right side view of the design.
FIG. 7 is a top plan view of the design; and,
FIG. 8 is a bottom plan view of the design.
The broken lines in FIGS. 1, 2 and 7 are included for the purpose of illustrating a portion of the pump casing that forms no part of the claimed design.

1 Claim, 4 Drawing Sheets



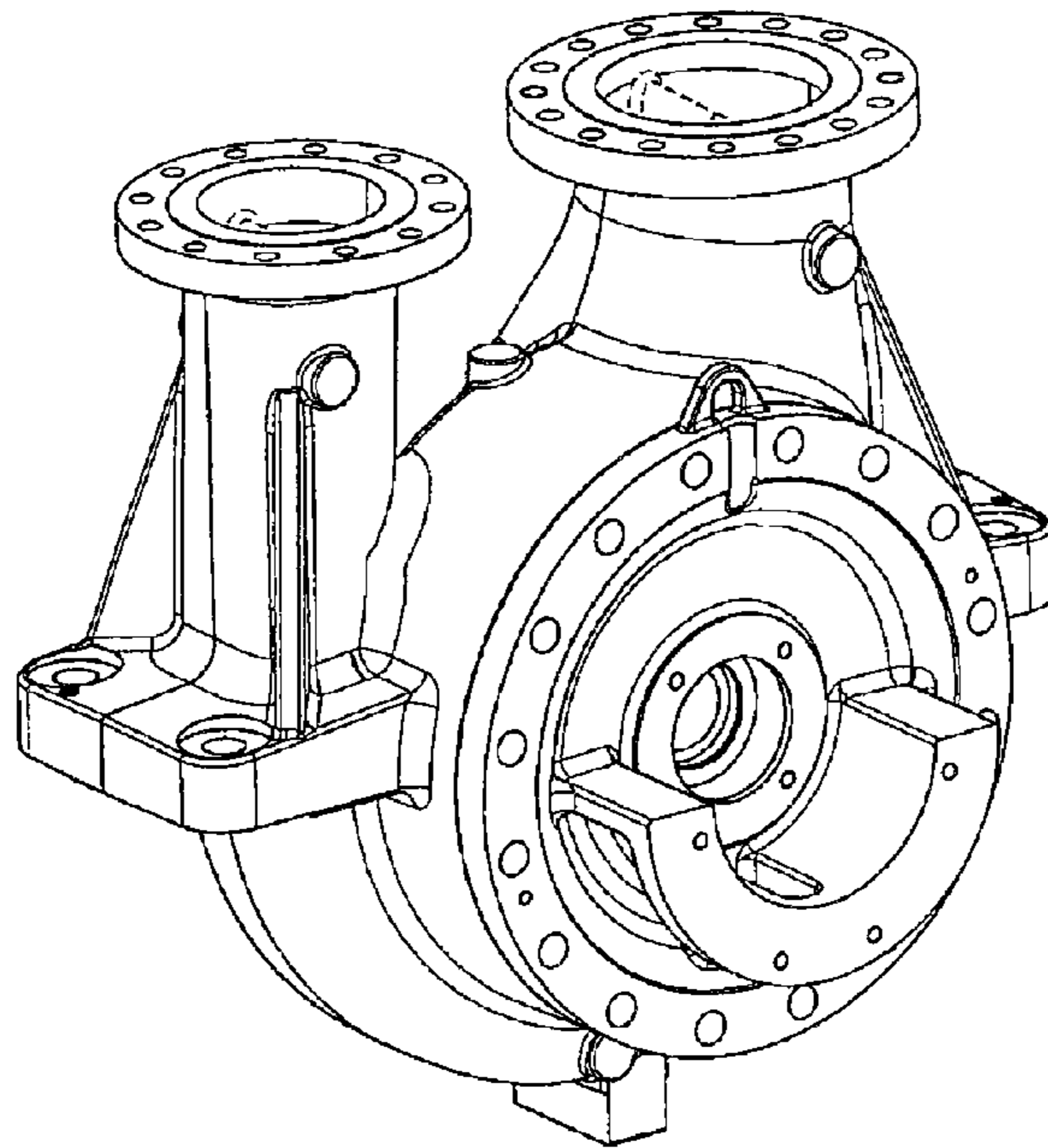


FIG. 1

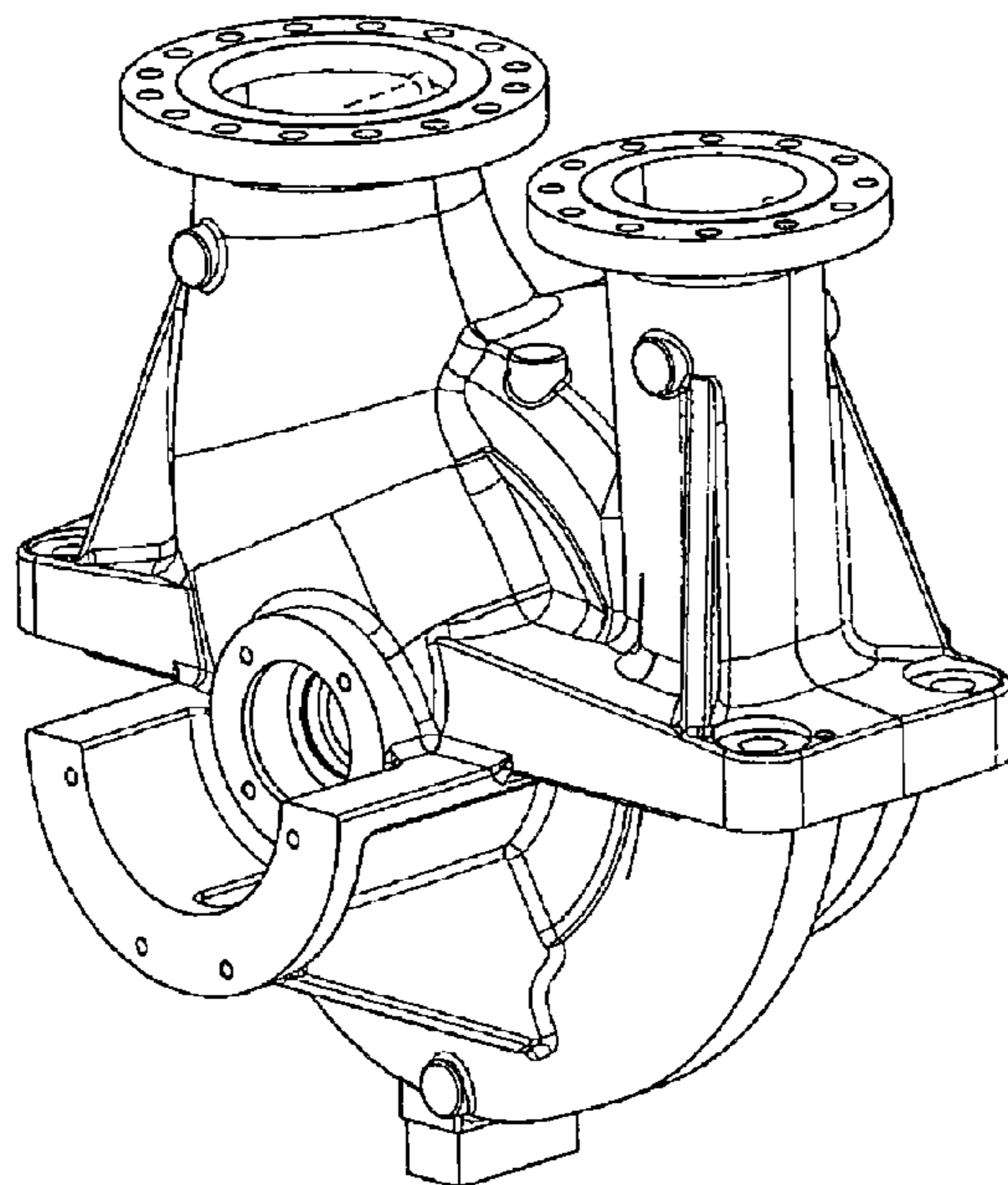


FIG. 2

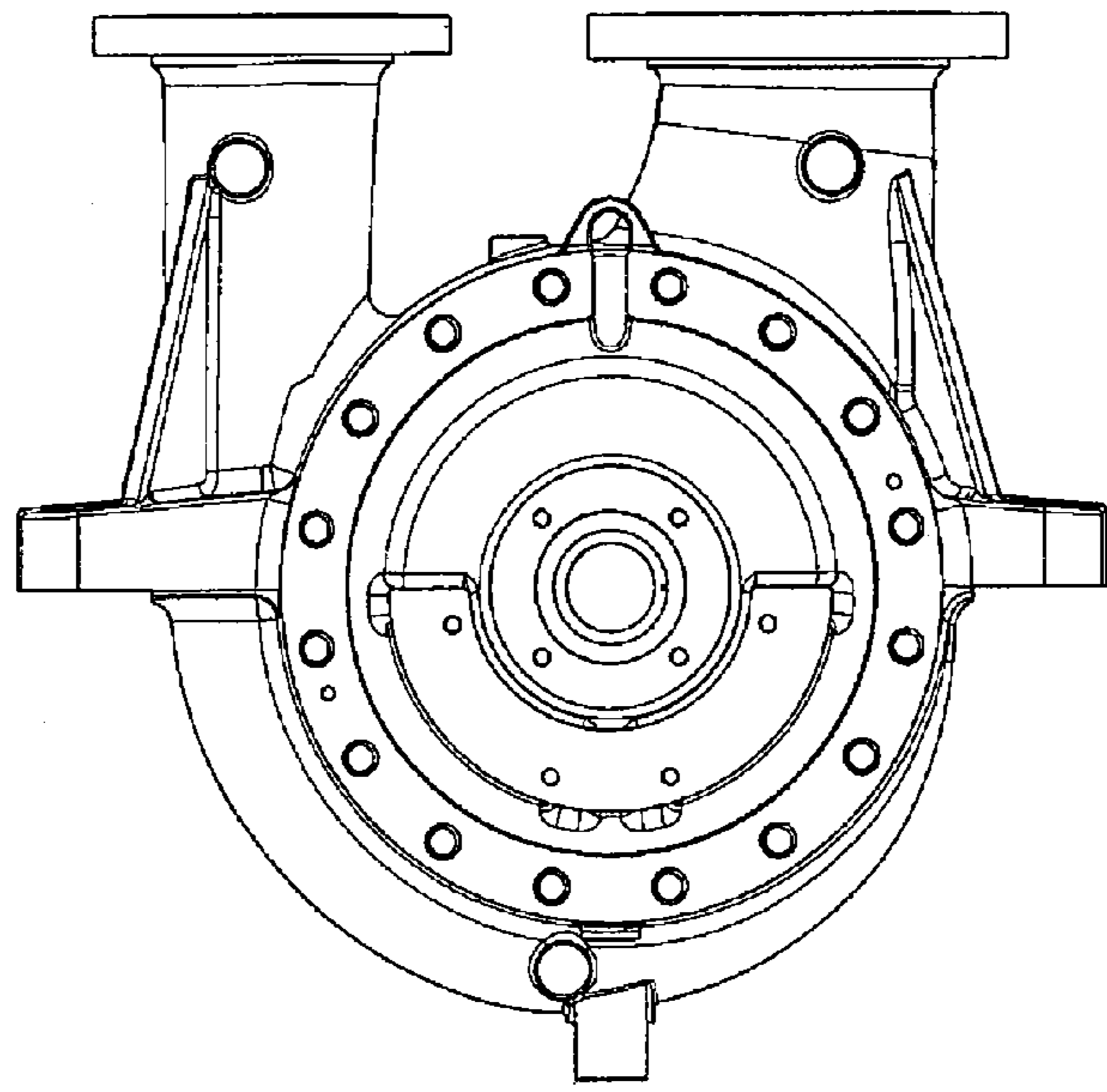


FIG. 3

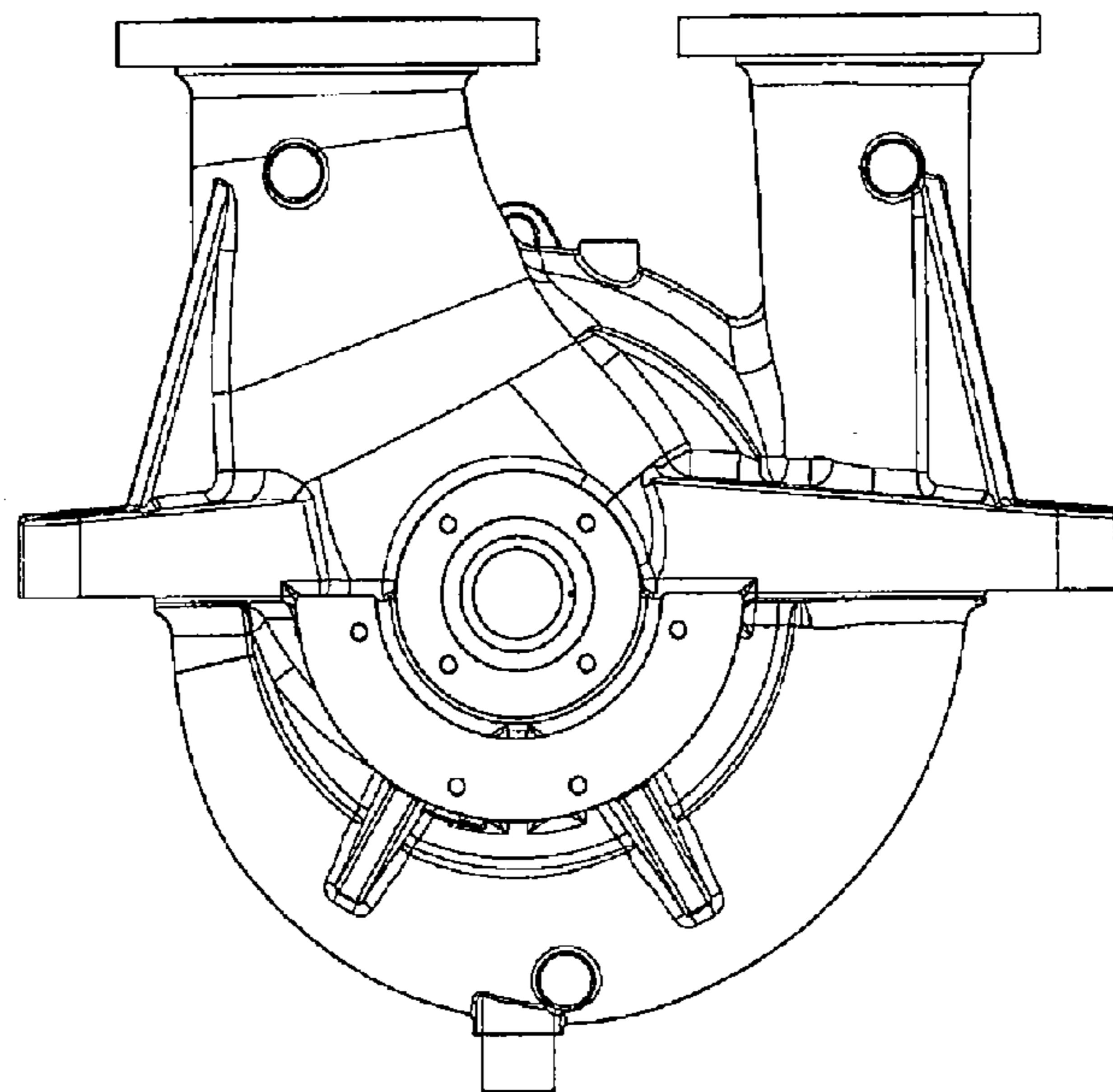


FIG. 4

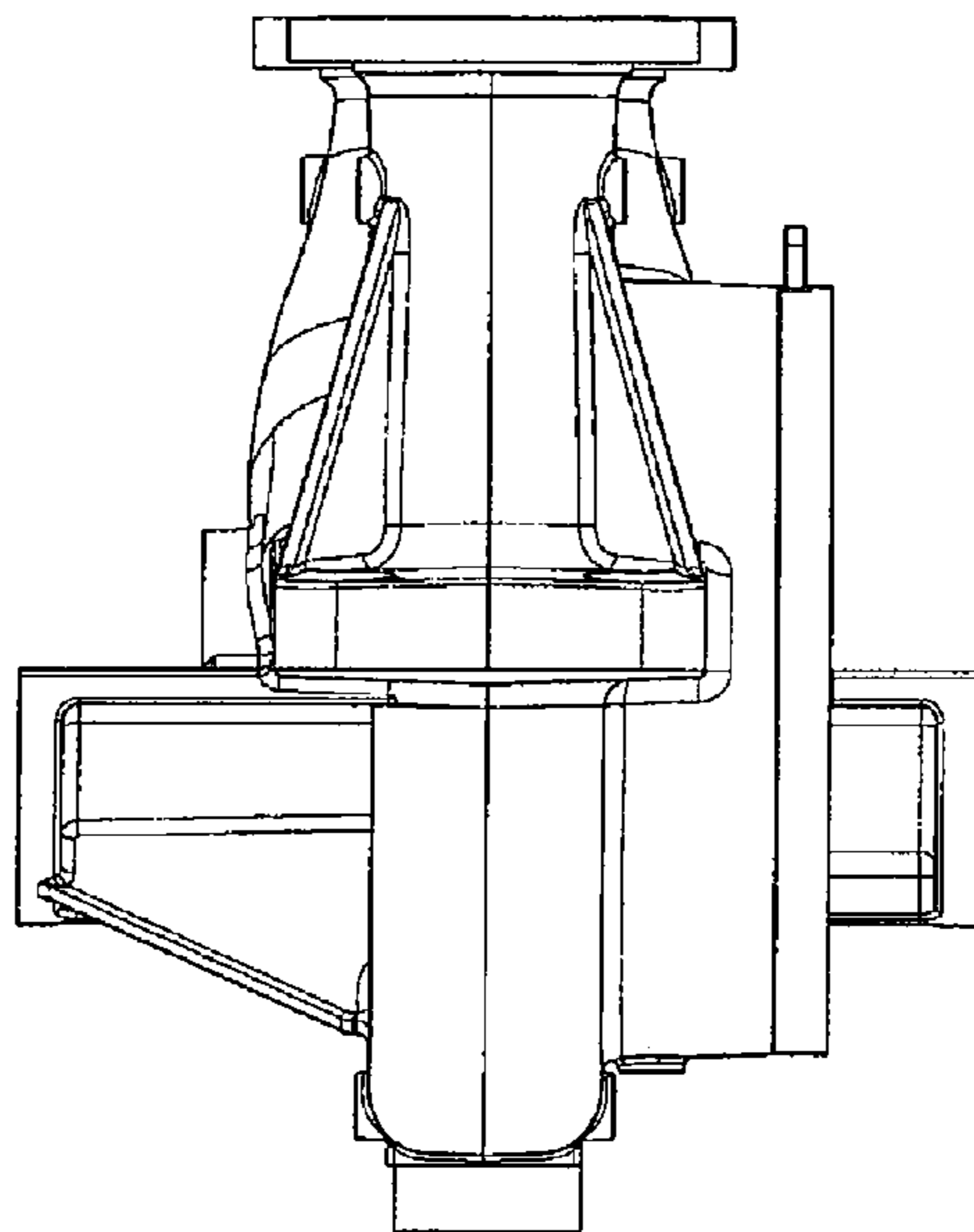


FIG. 5

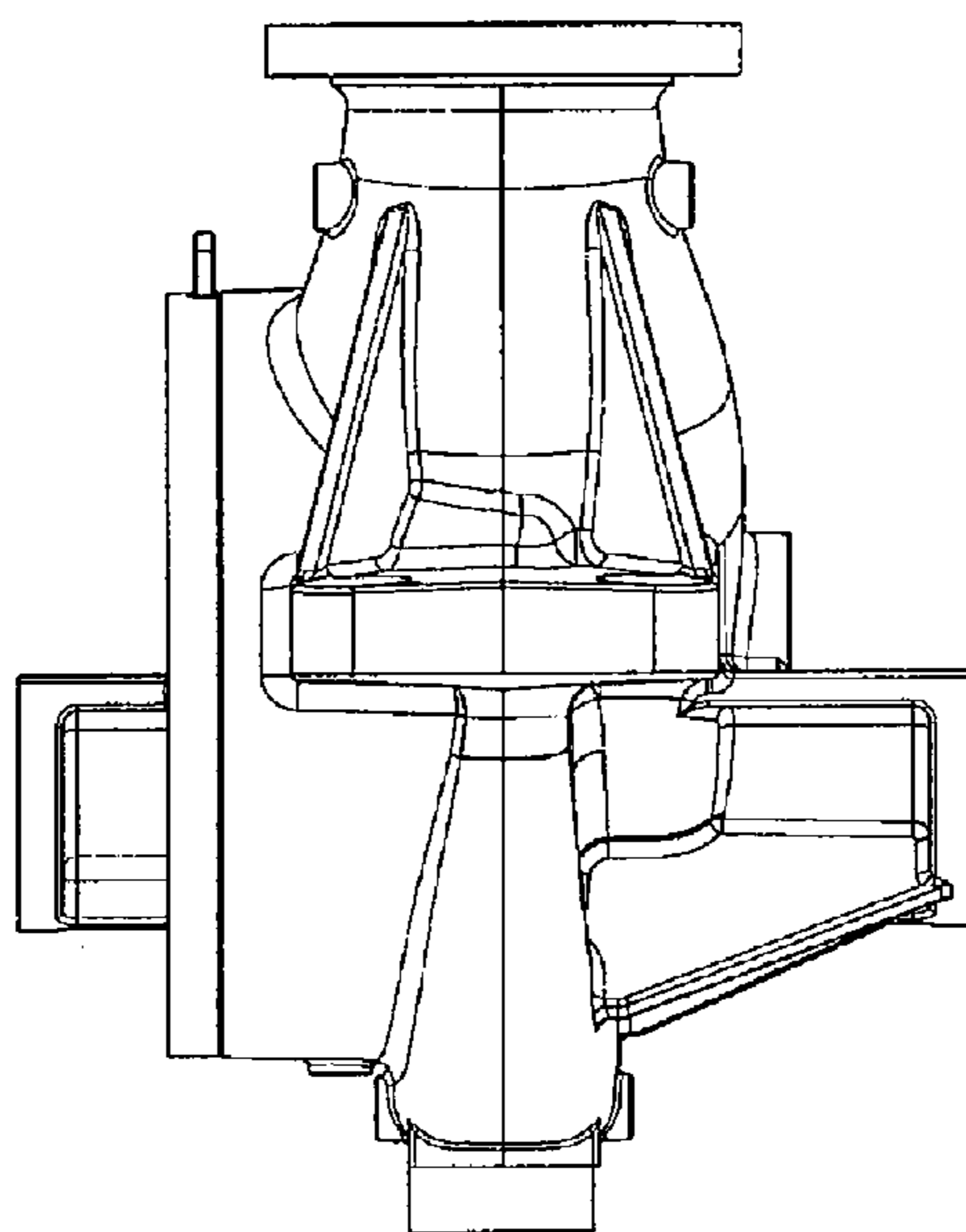


FIG. 6

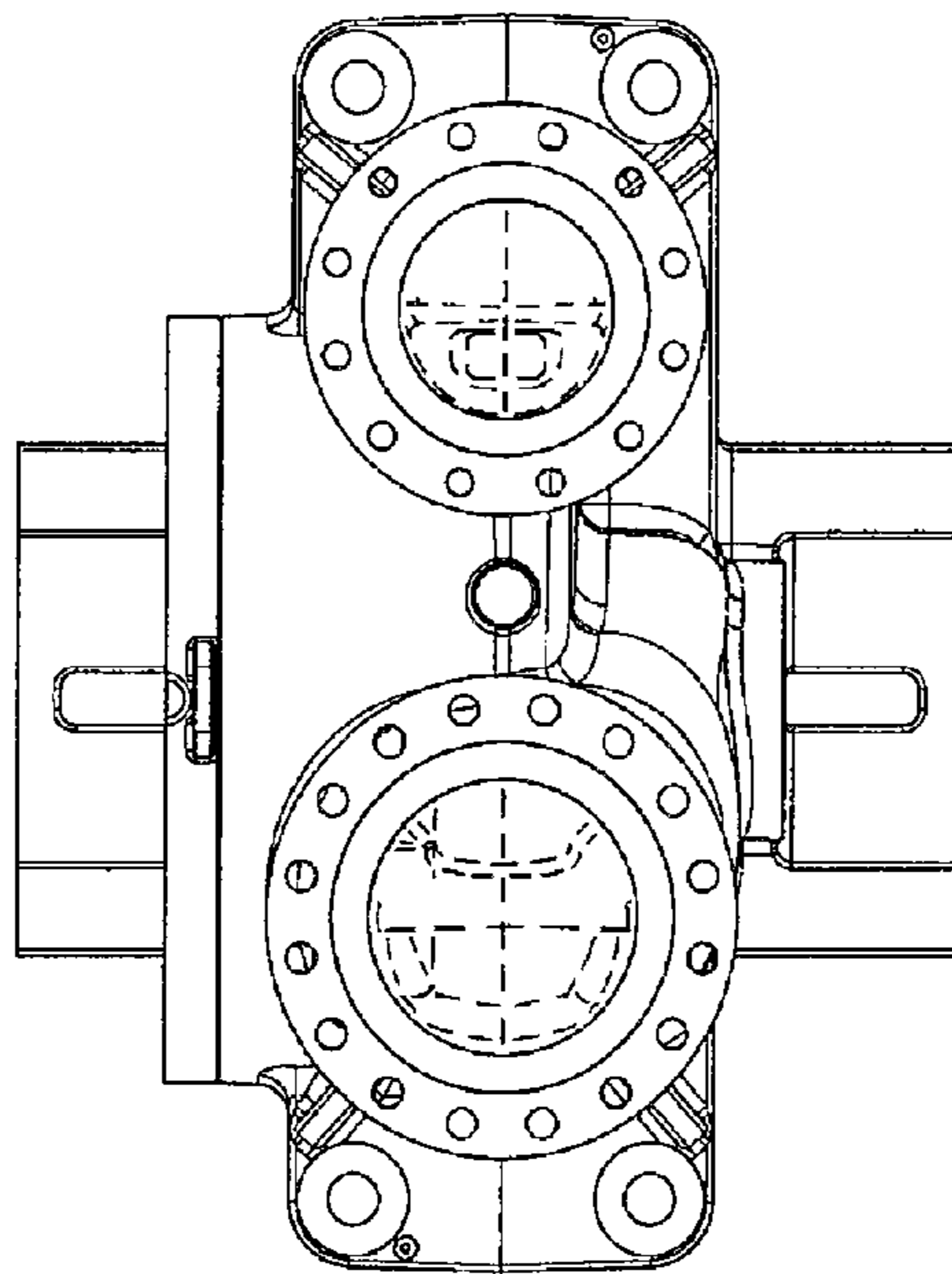


FIG. 7

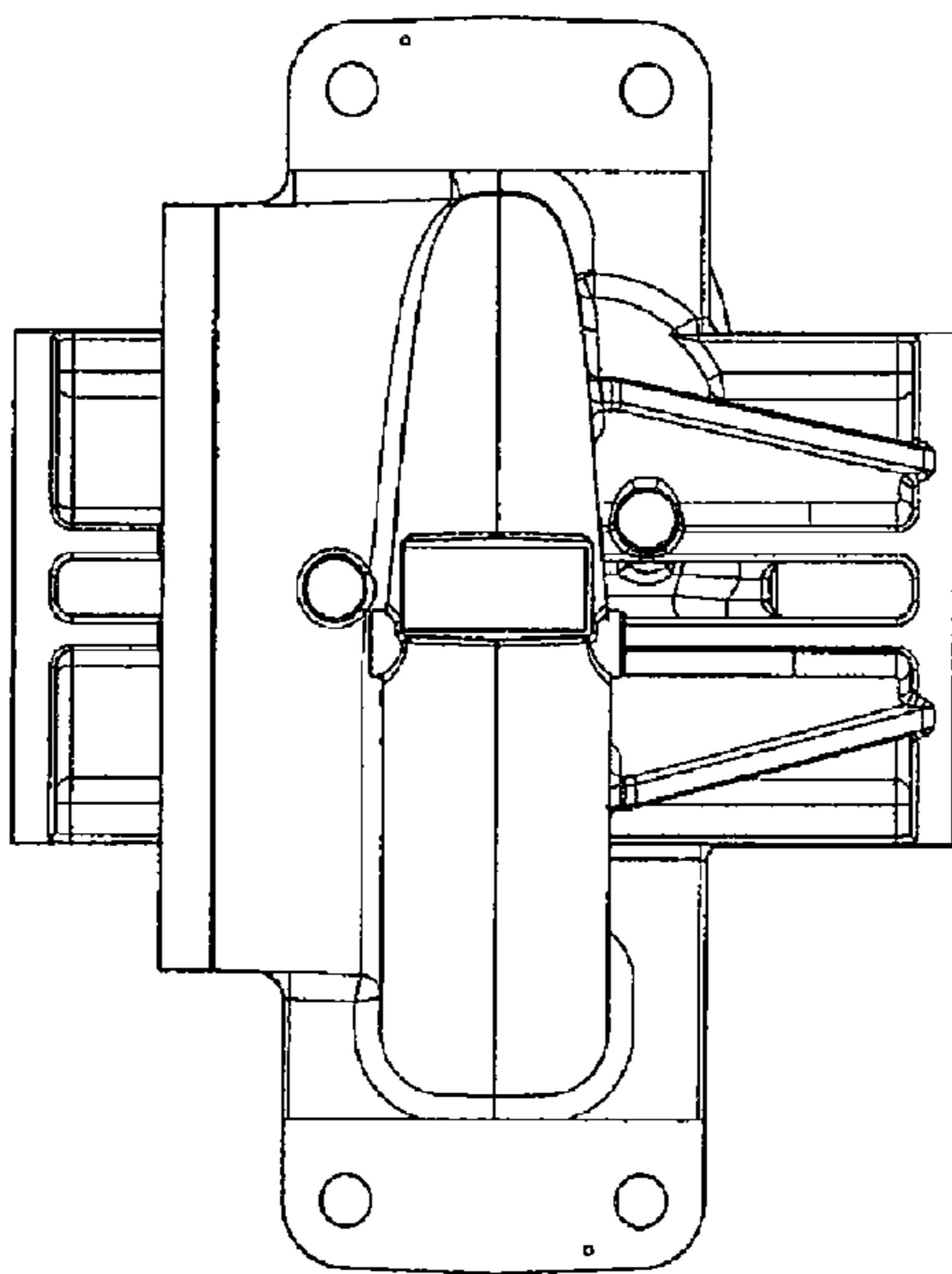


FIG. 8