



US00D641379S

(12) **United States Design Patent**  
**Milojevic et al.**

(10) **Patent No.:** **US D641,379 S**

(45) **Date of Patent:** **\*\* Jul. 12, 2011**

(54) **PUMP CASING**

(75) Inventors: **Steven Milojevic**, Beaverton, OR (US);  
**Robert Rennhard**, Zurich (CH)

(73) Assignee: **Sulzer Pumpen AG**, Winterthur (CH)

(\*\*) Term: **14 Years**

(21) Appl. No.: **29/361,344**

(22) Filed: **May 10, 2010**

(51) **LOC (9) Cl.** ..... **15-02**

(52) **U.S. Cl.** ..... **D15/7**

(58) **Field of Classification Search** ..... D15/7-9;  
D23/231, 232; 417/410.1, 359, 415-416,  
417/234, 321, 265, 405

See application file for complete search history.

(56) **References Cited**

**U.S. PATENT DOCUMENTS**

D307,018 S \* 4/1990 Turbanisch ..... D15/8  
5,100,288 A \* 3/1992 Stanislao ..... 415/56.1  
D368,913 S \* 4/1996 Wightley ..... D15/7

D381,339 S \* 7/1997 Wightley ..... D15/7  
D610,165 S \* 2/2010 Graves et al. .... D15/7  
D616,902 S \* 6/2010 Foreman et al. .... D15/7

\* cited by examiner

*Primary Examiner* — Ralf Seifert

(74) *Attorney, Agent, or Firm* — K&L Gates LLP

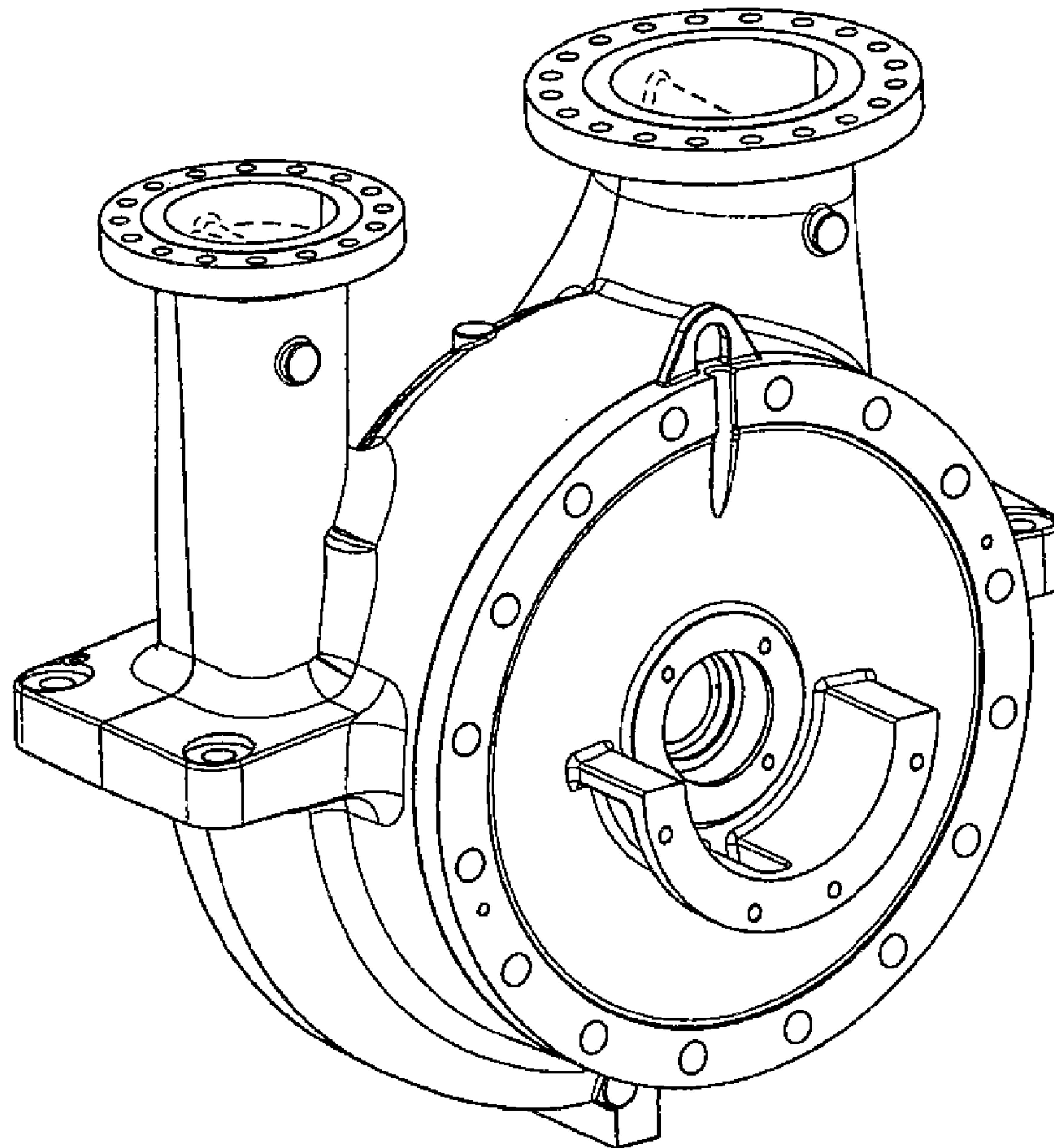
(57) **CLAIM**

The ornamental design for a pump casing, as shown and described.

**DESCRIPTION**

FIG. 1 is a front and upper perspective view of the design.  
FIG. 2 is a left side and upper perspective view of the design.  
FIG. 3 is a front view of the design.  
FIG. 4 is a rear view of the design.  
FIG. 5 is a left side view of the design.  
FIG. 6 is a right side view of the design.  
FIG. 7 is a top plan view of the design; and,  
FIG. 8 is a bottom plan view of the design.  
The broken lines in FIGS. 1, 2 and 7 are included for the purpose of illustrating a portion of the pump casing that forms no part of the claimed design.

**1 Claim, 4 Drawing Sheets**



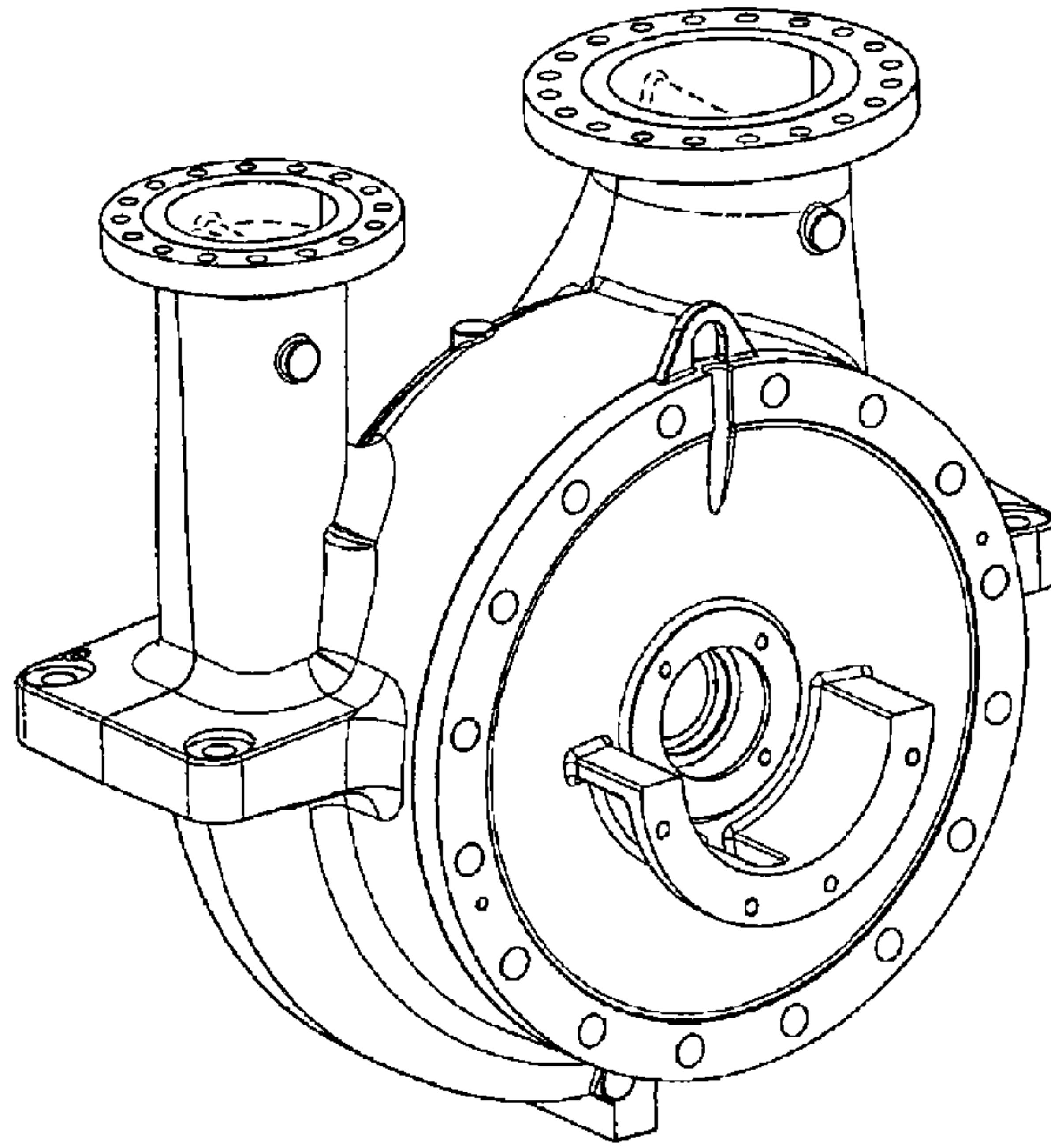


FIG. 1

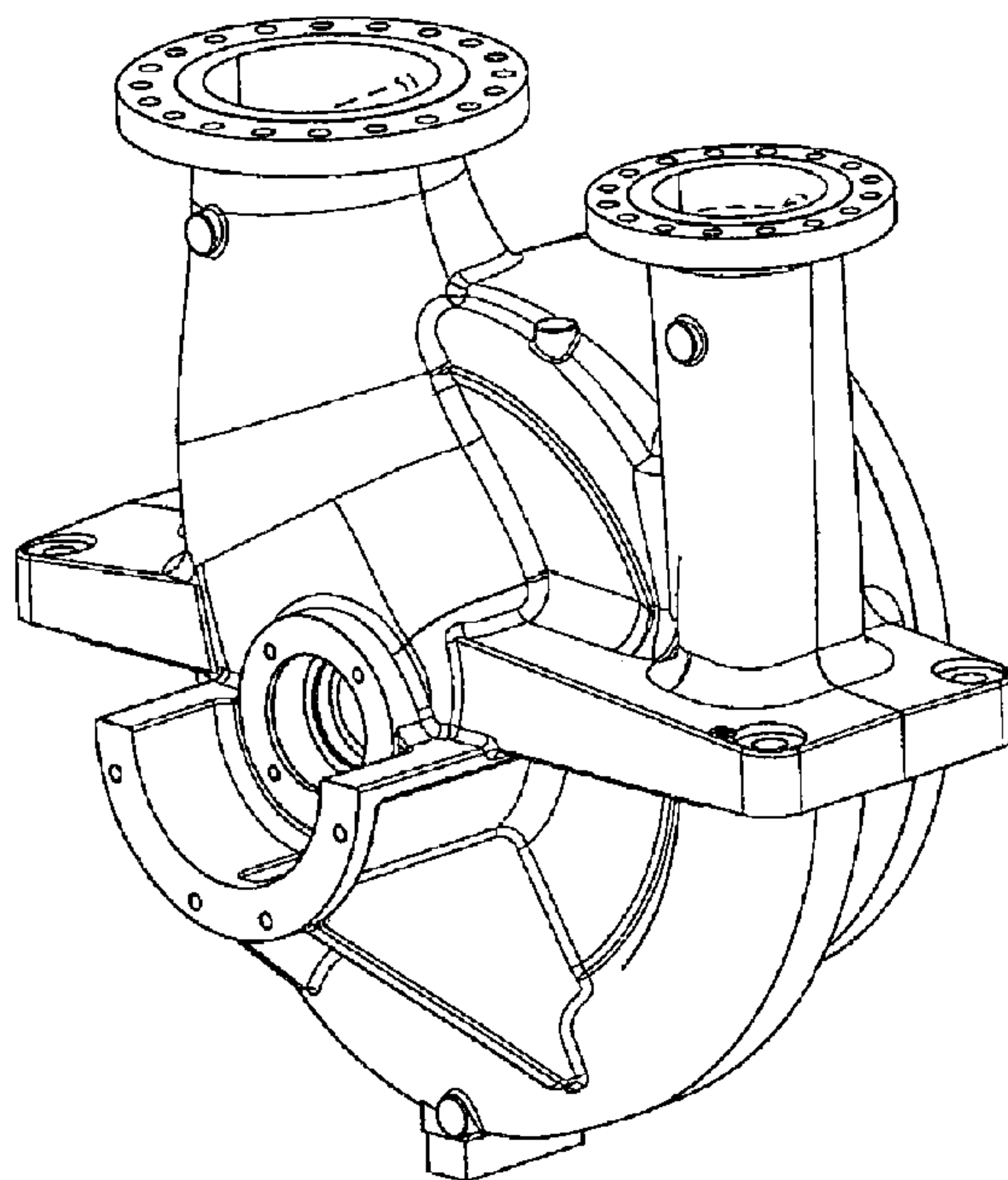


FIG. 2

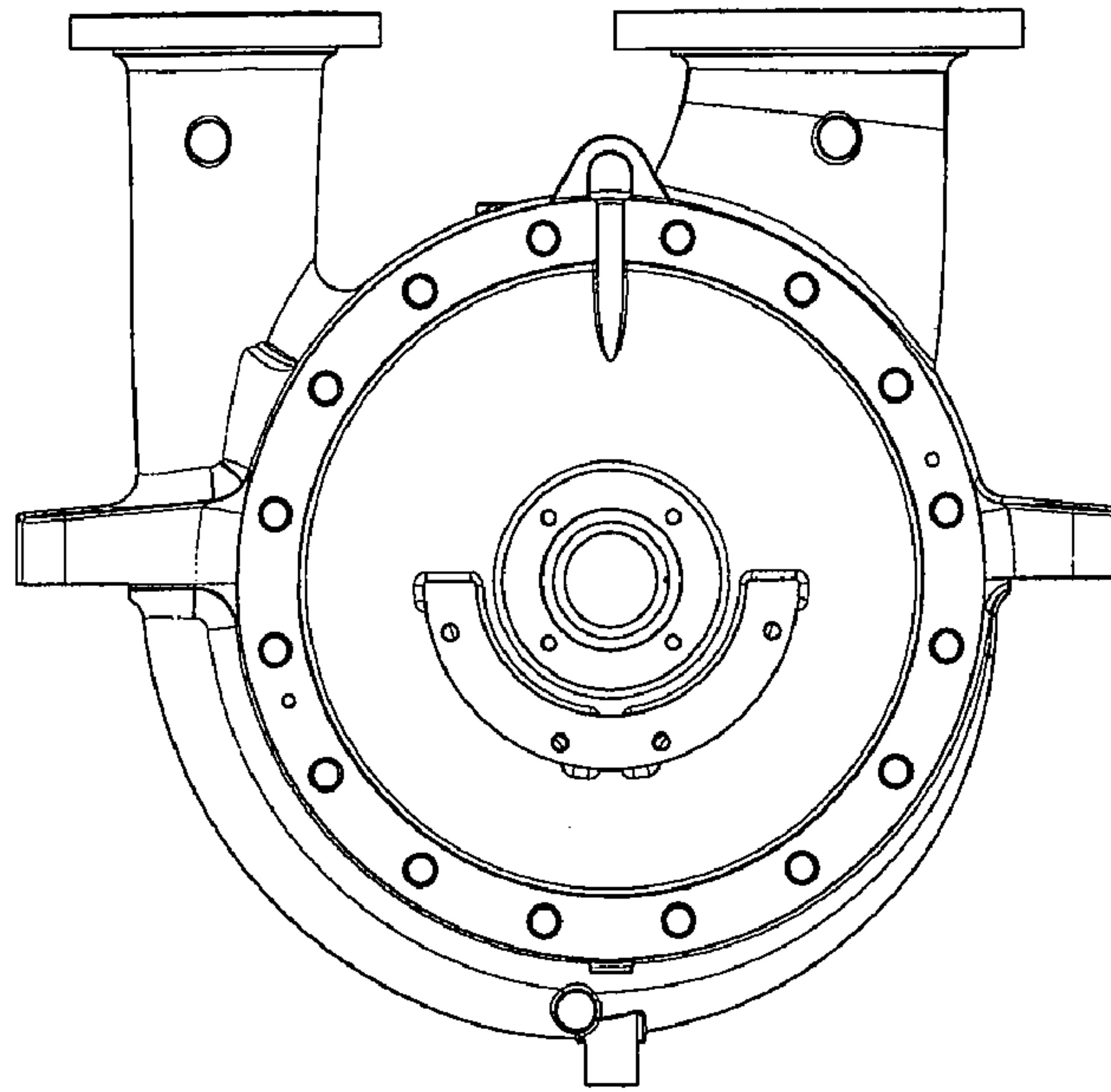


FIG. 3

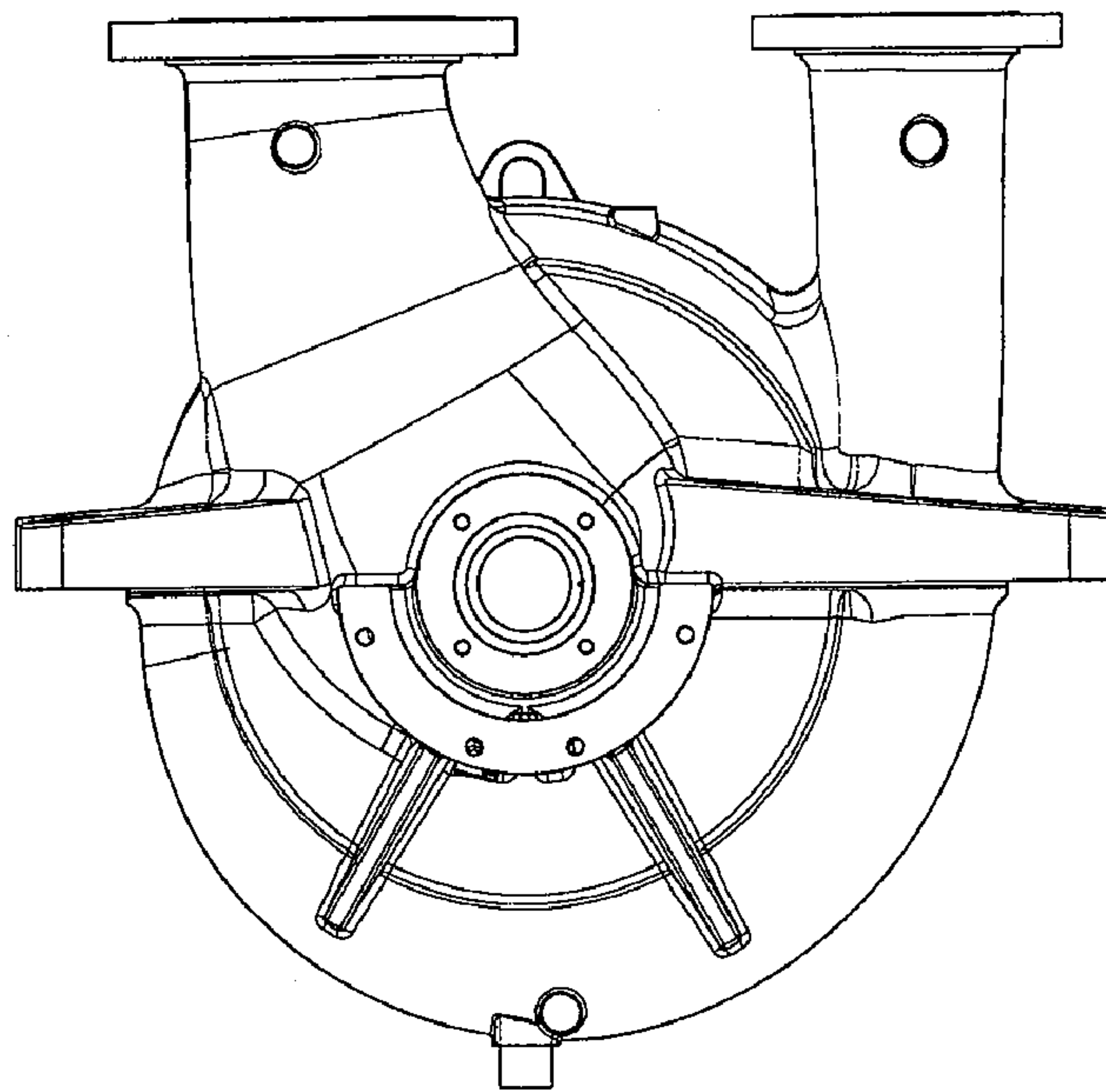


FIG. 4

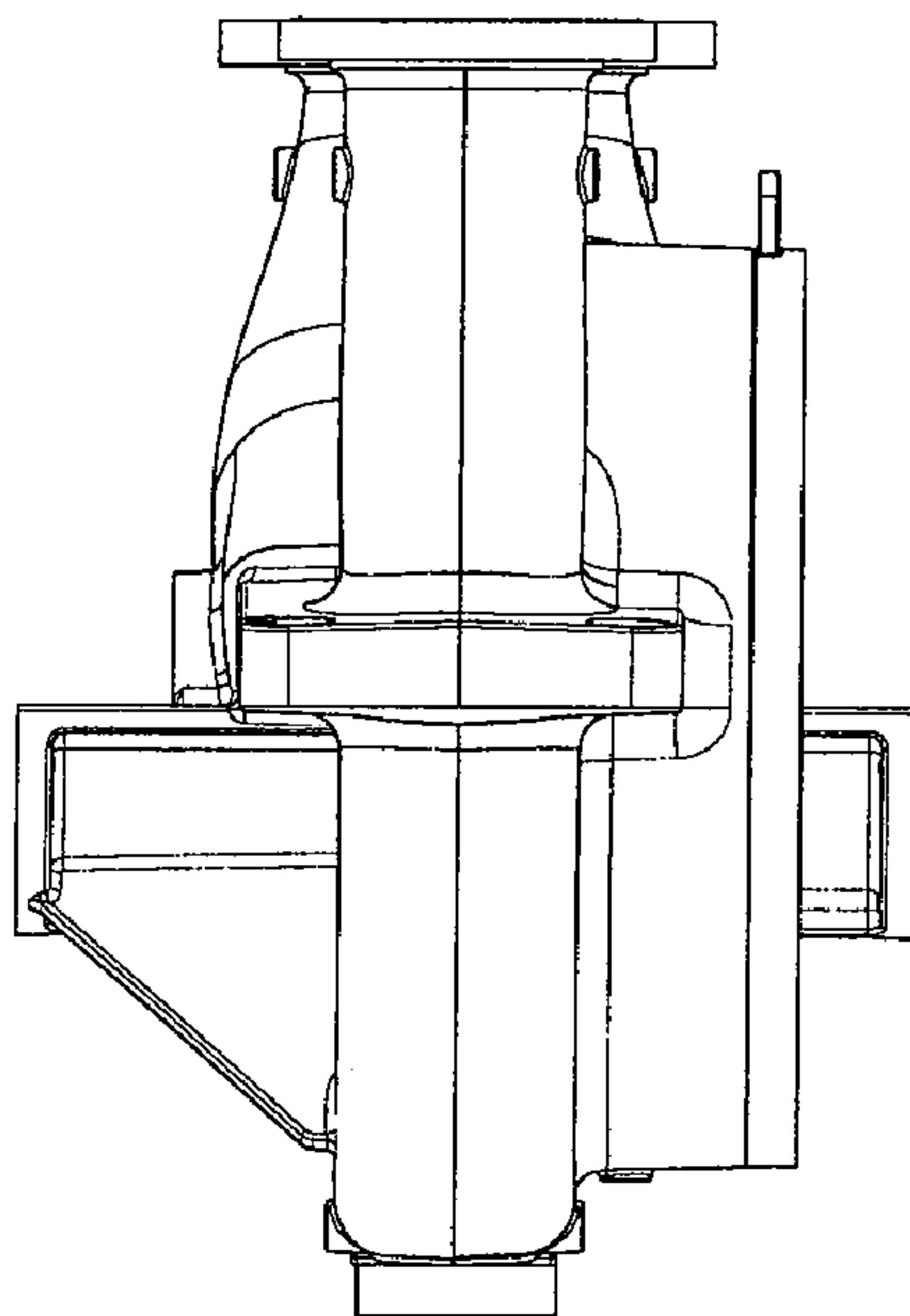


FIG. 5

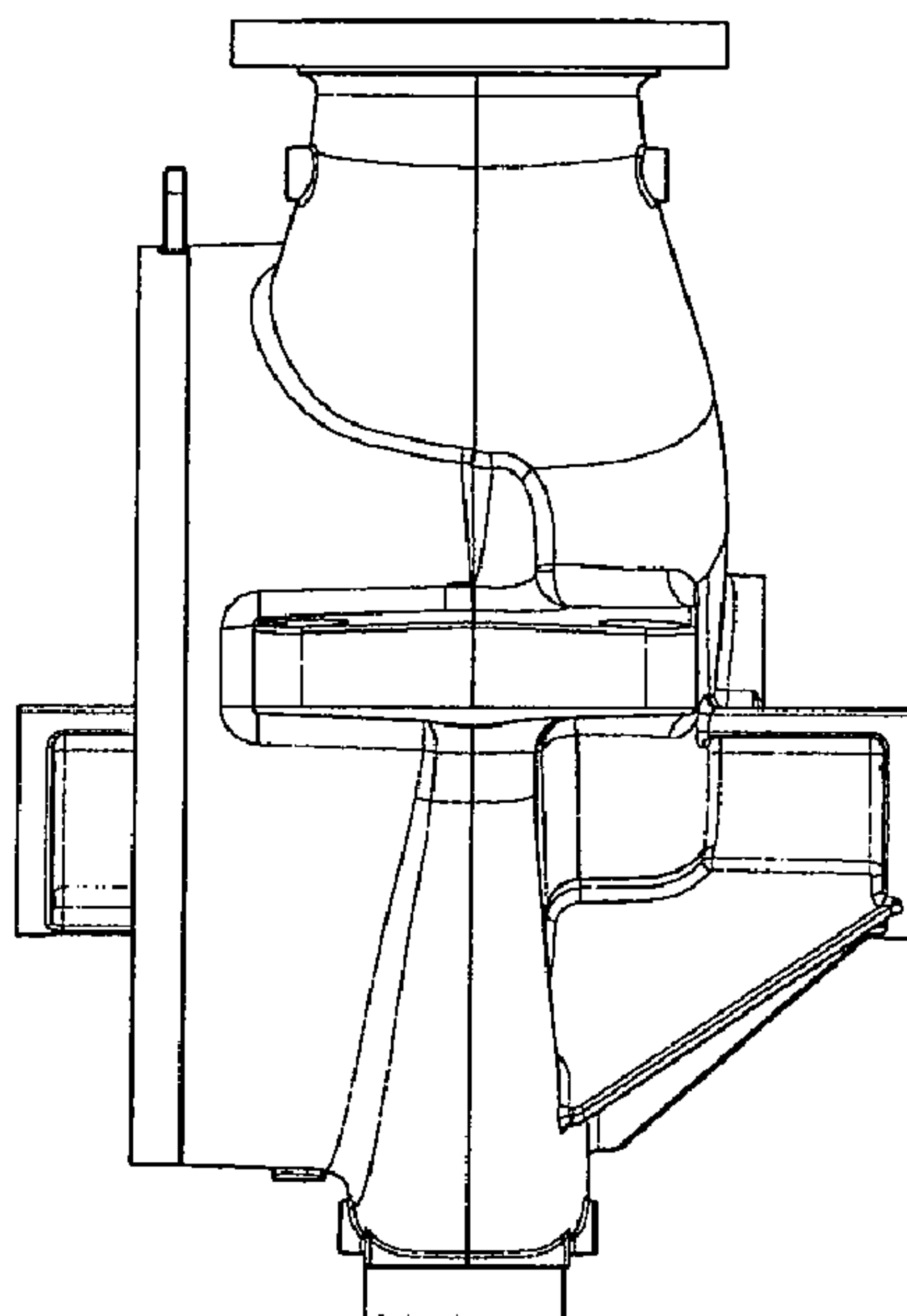


FIG. 6

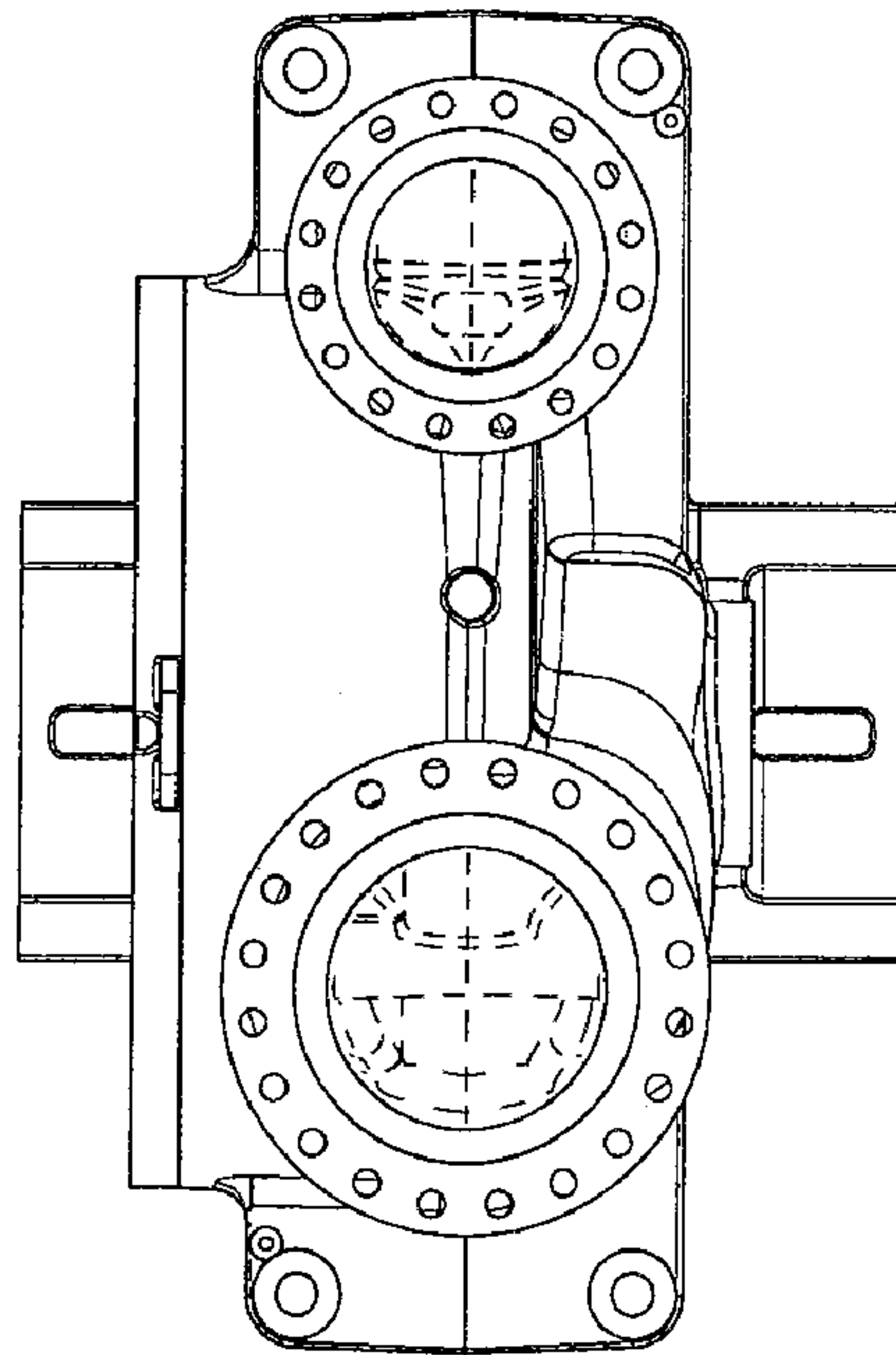


FIG. 7

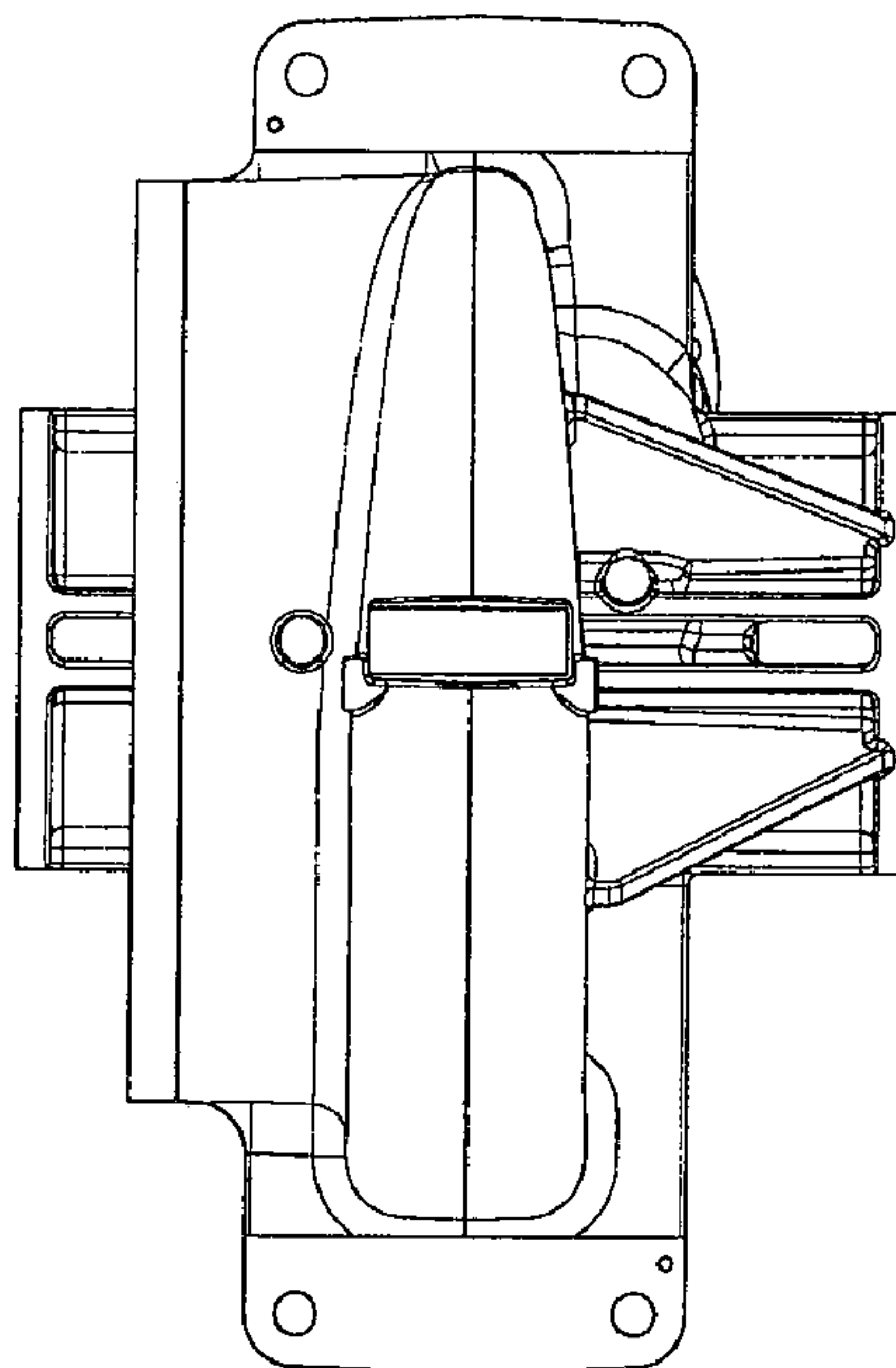


FIG. 8