



US00D641378S

(12) **United States Design Patent**
Moravec et al.

(10) **Patent No.:** **US D641,378 S**
(45) **Date of Patent:** **** Jul. 12, 2011**

(54) **EXHAUST GAS RECIRCULATION MODULE FOR A DIESEL ENGINE**

D601,589 S * 10/2009 Carlson D15/5
2007/0017491 A1* 1/2007 Maeda 123/568.18
* cited by examiner

(75) Inventors: **Keith E. Moravec**, Downers Grove, IL (US); **Gary R. Svihla**, Burr Ridge, IL (US); **Patricia McWade**, Willowbrook, IL (US)

Primary Examiner — T. Chase Nelson
Assistant Examiner — Anna Dworzecka
(74) *Attorney, Agent, or Firm* — Eugene Cummings

(73) Assignee: **Electro-Motive Diesel Inc.**, LaGrange, IL (US)

(57) **CLAIM**
The ornamental design for an exhaust gas recirculation module for a diesel engine, as shown and described.

(**) **Term:** **14 Years**

(21) **Appl. No.:** **29/366,994**

DESCRIPTION

(22) **Filed:** **Aug. 2, 2010**

(51) **LOC (9) Cl.** **15-01**

(52) **U.S. Cl.** **D15/5**

(58) **Field of Classification Search** D15/1-6;
123/184.21, 184.24, 184.34, 184.35, 23.2,
123/184.48, 184.42, 568.18; D12/400, 194,
D12/206, 418

See application file for complete search history.

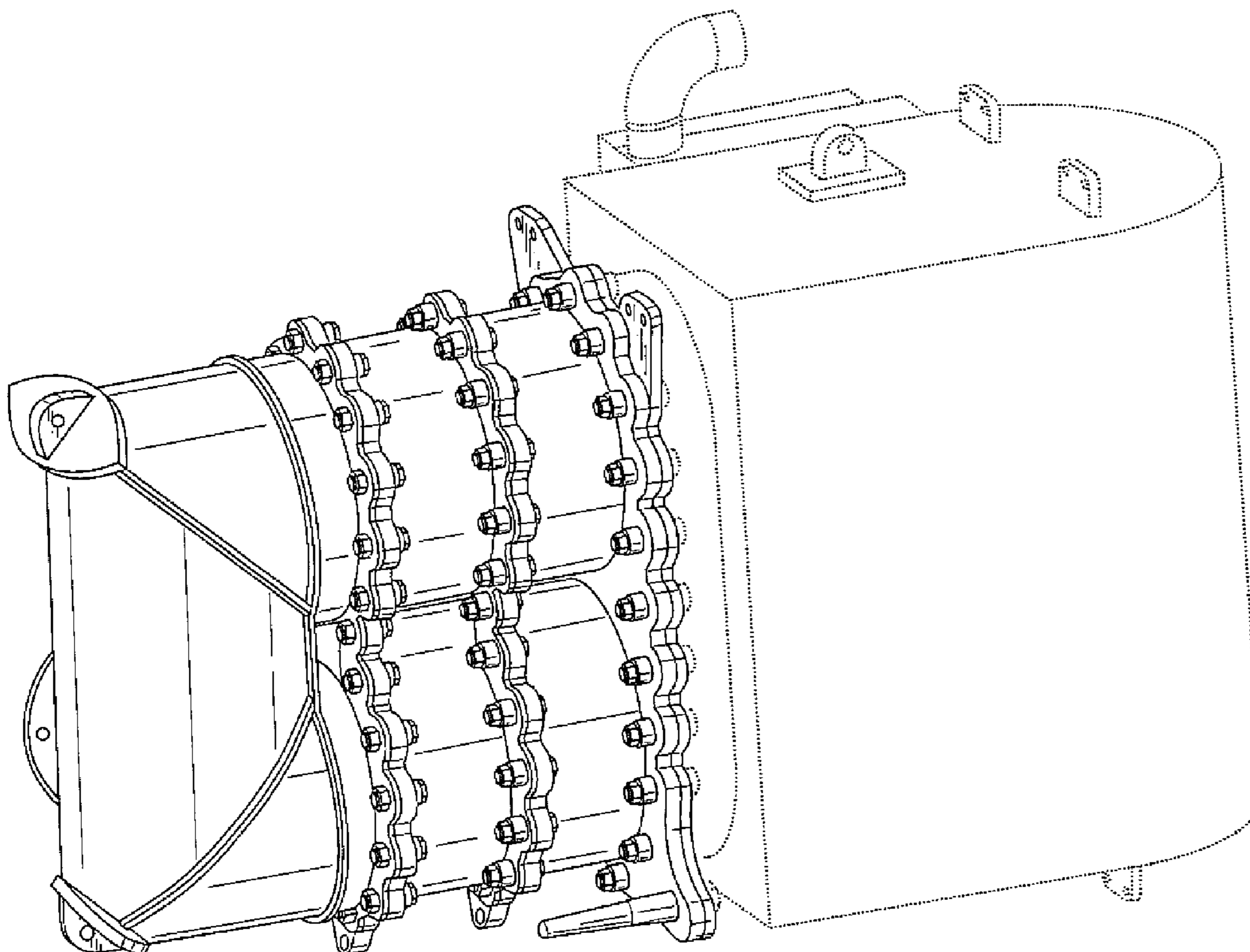
FIG. 1 is a perspective view of an embodiment of an exhaust gas recirculation module for a diesel engine, showing the new design.
FIG. 2 is a side view of the embodiment of FIG. 1.
FIG. 3 is another side view of the embodiment of FIG. 1.
FIG. 4 is a front side view of the embodiment of FIG. 1.
FIG. 5 is a rear side view of the embodiment of FIG. 1.
FIG. 6 is a top view of the embodiment of FIG. 1; and, FIG. 7 is a bottom view of the embodiment of FIG. 1.
The broken lines are for illustrative purposes only, and form no part of the claimed design.

(56) **References Cited**

U.S. PATENT DOCUMENTS

D522,022 S * 5/2006 Carlin et al. D15/5

1 Claim, 4 Drawing Sheets



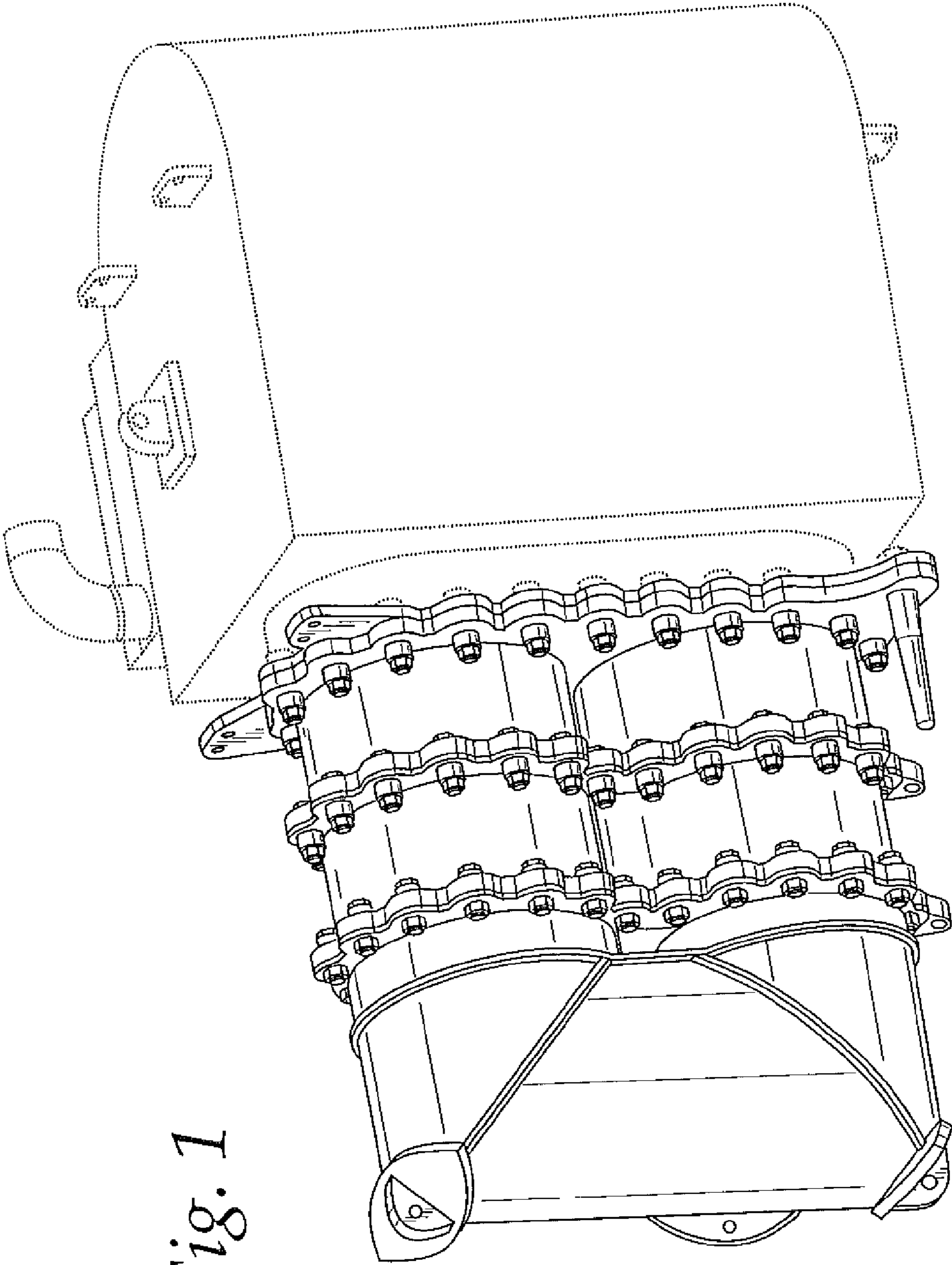


Fig. 1

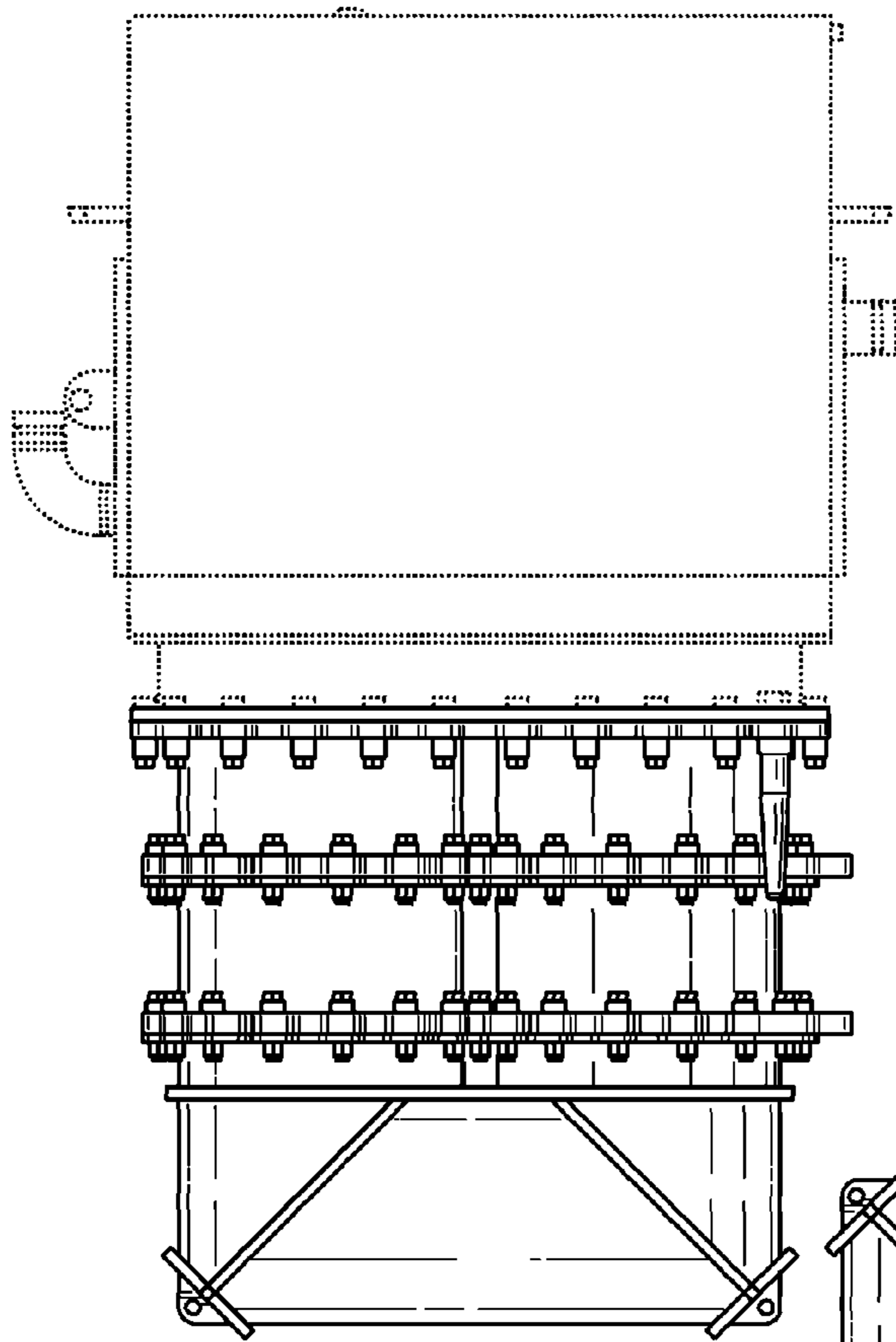
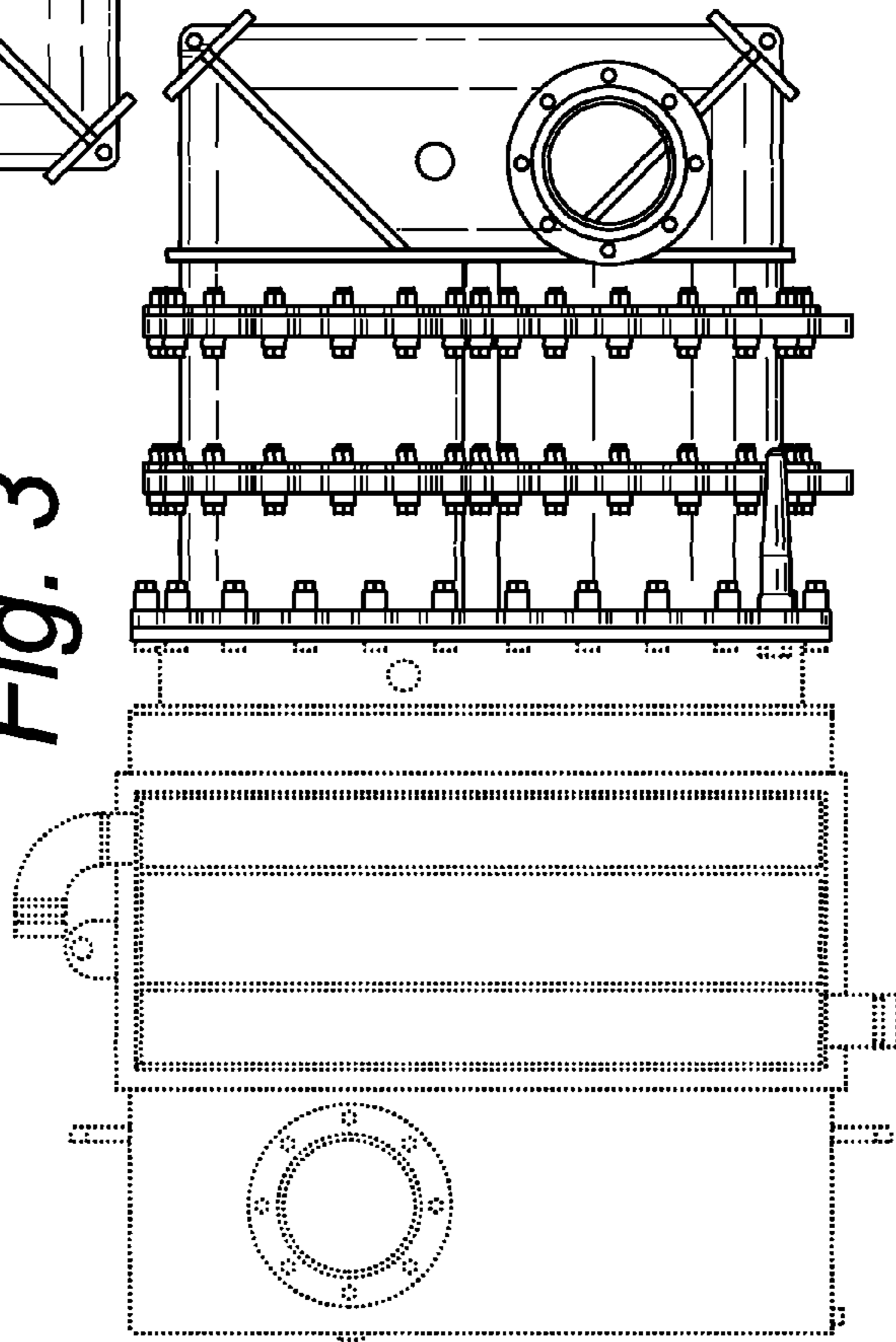


Fig. 2

Fig. 3



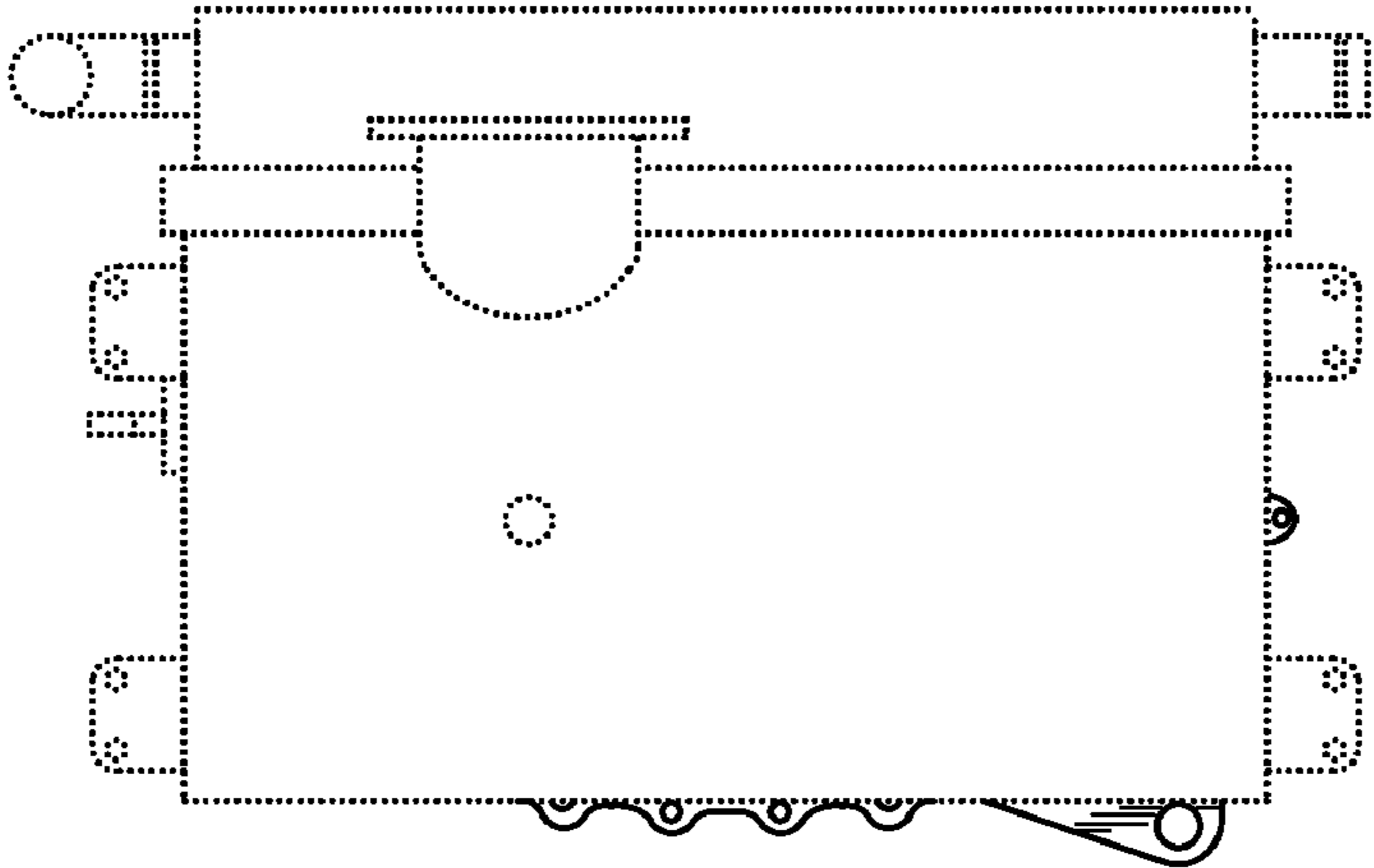


Fig. 5

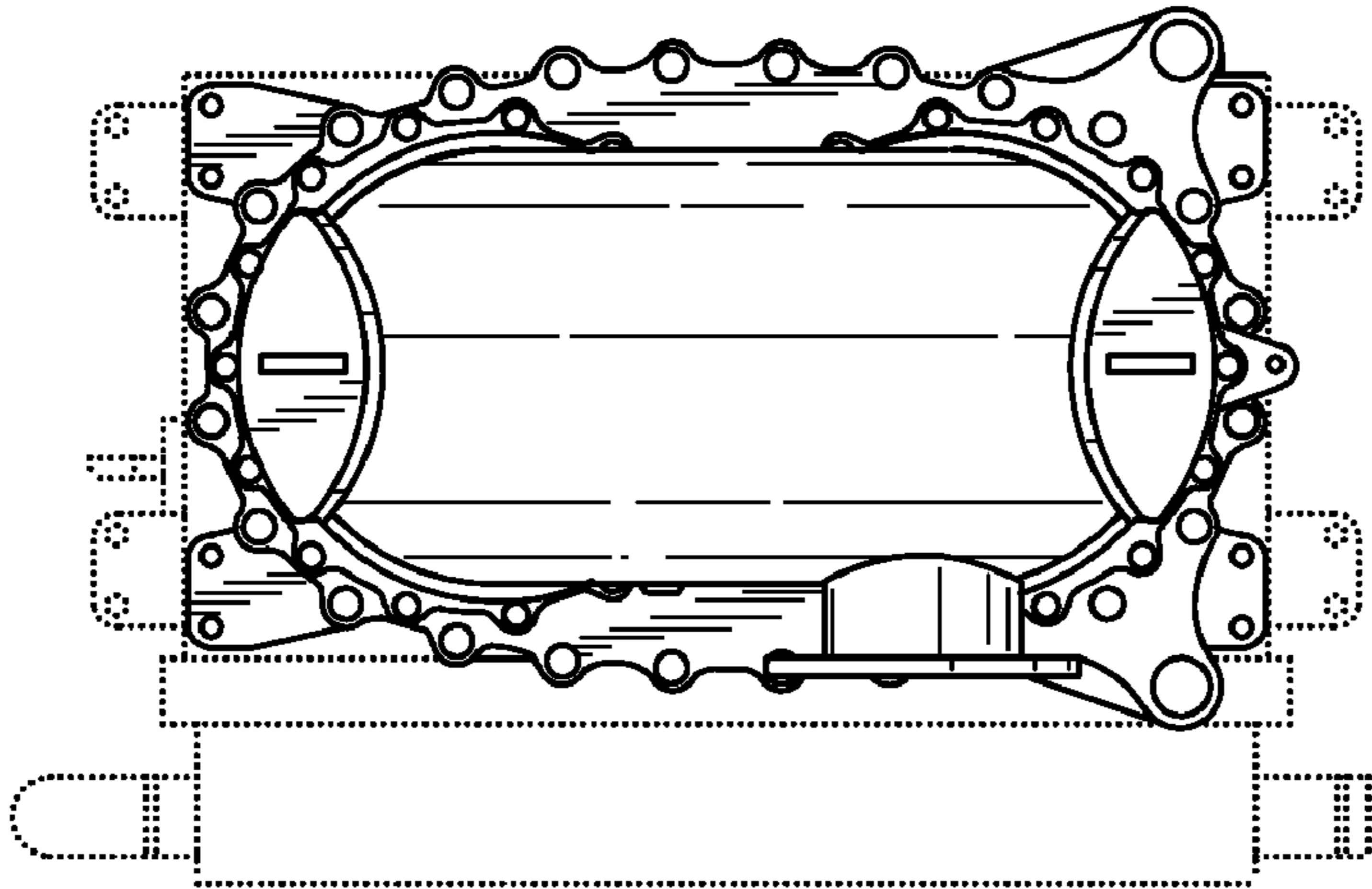


Fig. 4

