



US00D641376S

(12) **United States Design Patent**  
**Strauser**

(10) **Patent No.:** **US D641,376 S**  
(45) **Date of Patent:** **\*\* Jul. 12, 2011**

(54) **PORTABLE KARAOKE SYSTEM**  
(76) Inventor: **Jack Strauser**, Pinellas Park, FL (US)  
(\*\*) Term: **14 Years**  
(21) Appl. No.: **29/363,429**  
(22) Filed: **Jun. 9, 2010**  
(51) **LOC (9) Cl.** ..... **14-03**  
(52) **U.S. Cl.** ..... **D14/497**  
(58) **Field of Classification Search** ..... D14/496,  
D14/497, 401, 435, 474, 483, 217, 137, 138,  
D14/160, 168, 356, 203.1-203.8, 507; 345/156,  
345/169, 173-179, 905; 715/727-729, 864;  
710/1, 5, 8; 713/1, 600; 455/1.1, 1.7, 73,  
455/344-347, 93, 95, 3.01-3.06, 550.1, 573.1;  
370/342-344; 369/1, 2, 6-12; 463/43-47;  
273/148 B  
See application file for complete search history.

D524,325 S \* 7/2006 Lau et al. .... D14/497  
D594,909 S \* 6/2009 Tam ..... D21/324  
D614,201 S \* 4/2010 Strauser ..... D14/497  
D614,669 S \* 4/2010 Strauser ..... D14/497  
D614,670 S \* 4/2010 Strauser ..... D14/497

\* cited by examiner

*Primary Examiner* — Prabhakar Deshmukh  
(74) *Attorney, Agent, or Firm* — Larson & Larson, P.A.;  
Frank Liebenow; Justin P. Miller

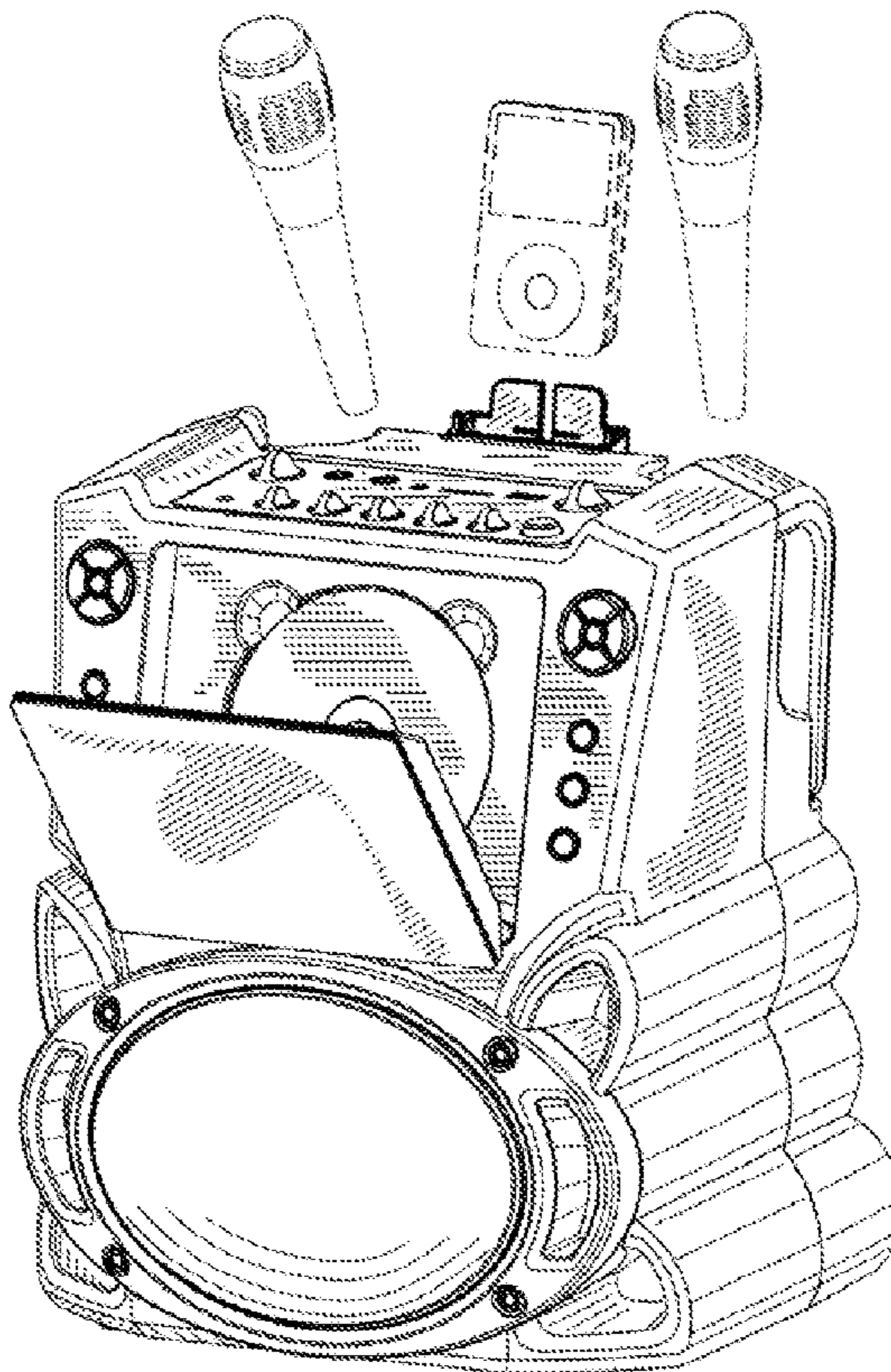
(57) **CLAIM**  
I claim the ornamental design for a portable karaoke system,  
as shown and described.

**DESCRIPTION**

FIG. 1 is a front elevation view of the portable karaoke system showing my novel design;  
FIG. 2 is a rear elevation view thereof;  
FIG. 3 is a left side elevation view thereof;  
FIG. 4 is a right side elevation view thereof;  
FIG. 5 is a top elevation view thereof;  
FIG. 6 is a bottom plan view thereof;  
FIG. 7 is a perspective view thereof; and,  
FIG. 8 is a perspective view thereof.  
The broken lines depicting surface details in FIGS. 2, 5 and 6, part of two microphones shown in FIGS. 7 and 8 and a music player in FIG. 8 are for illustrative purposes only and form no part of the claimed design.

(56) **References Cited**  
**U.S. PATENT DOCUMENTS**  
5,781,853 A \* 7/1998 Johnson ..... 455/351  
6,328,570 B1 \* 12/2001 Ng ..... 434/307 A  
D469,752 S \* 2/2003 Cuvelier ..... D14/497  
6,535,269 B2 \* 3/2003 Sherman et al. .... 352/6  
6,563,038 B2 \* 5/2003 Kikuchi ..... 84/610  
6,661,496 B2 \* 12/2003 Sherman et al. .... 352/6  
D509,223 S \* 9/2005 Steele et al. .... D14/497

**1 Claim, 5 Drawing Sheets**



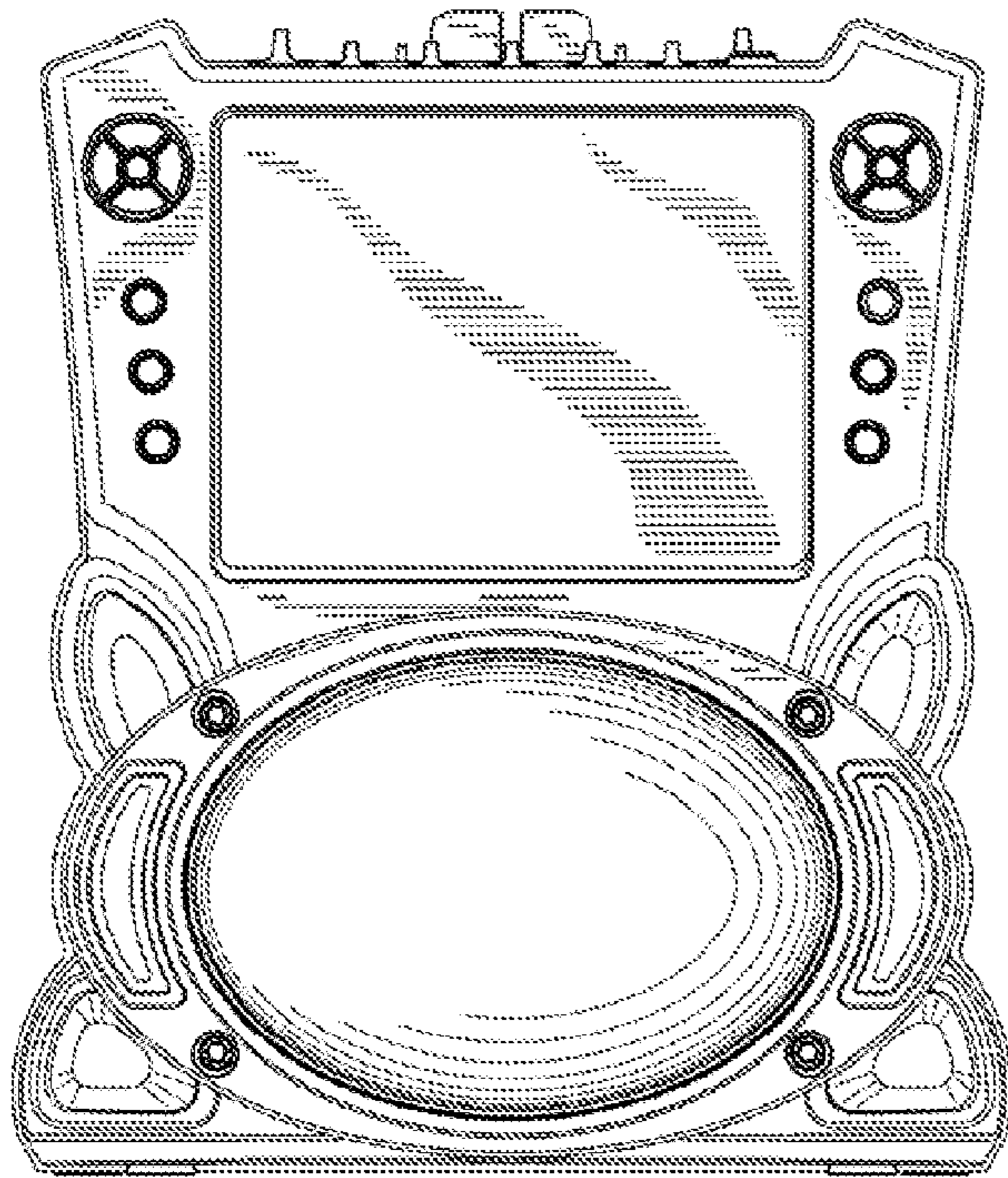


FIG. 1

FIG. 2

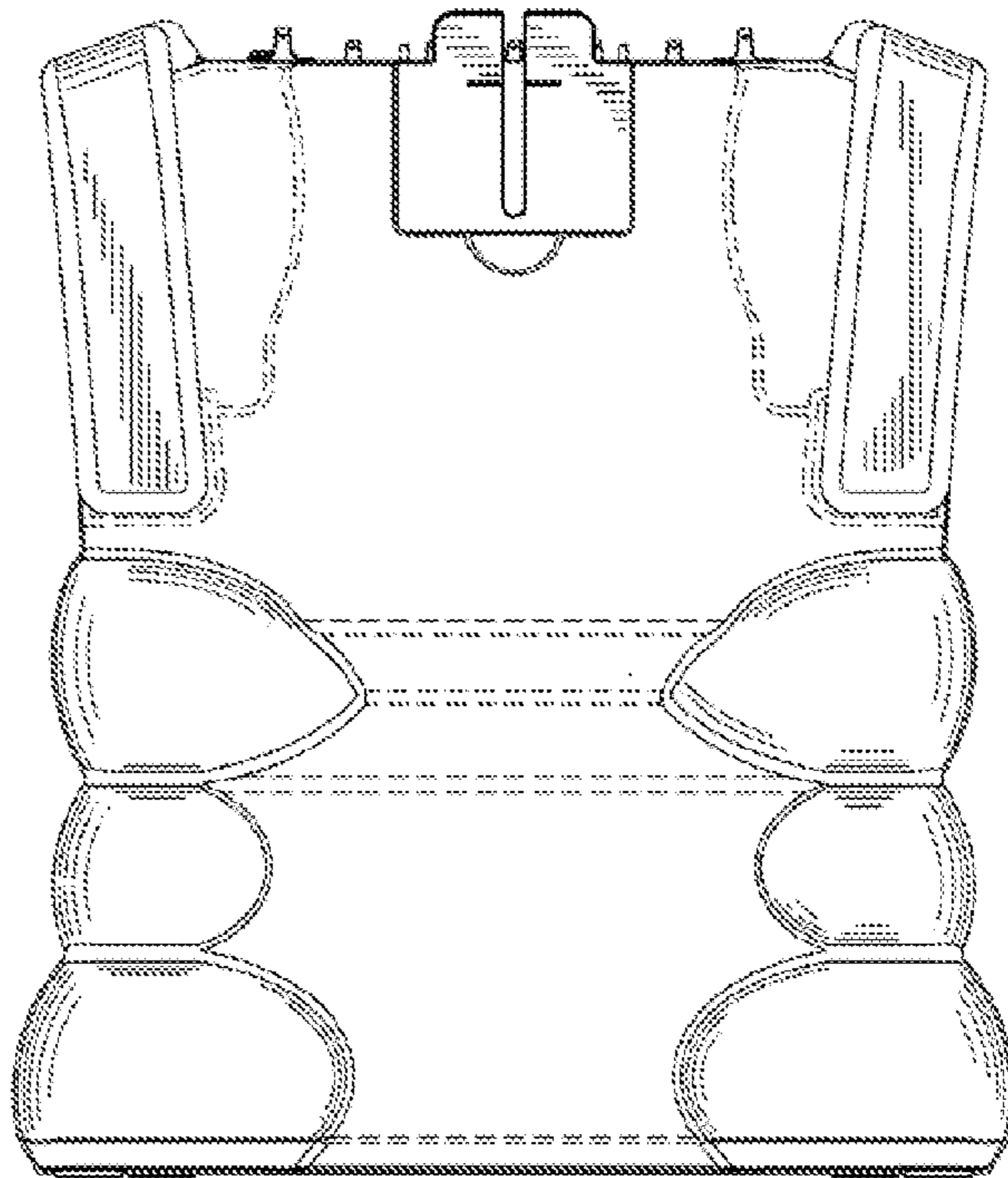


FIG. 3

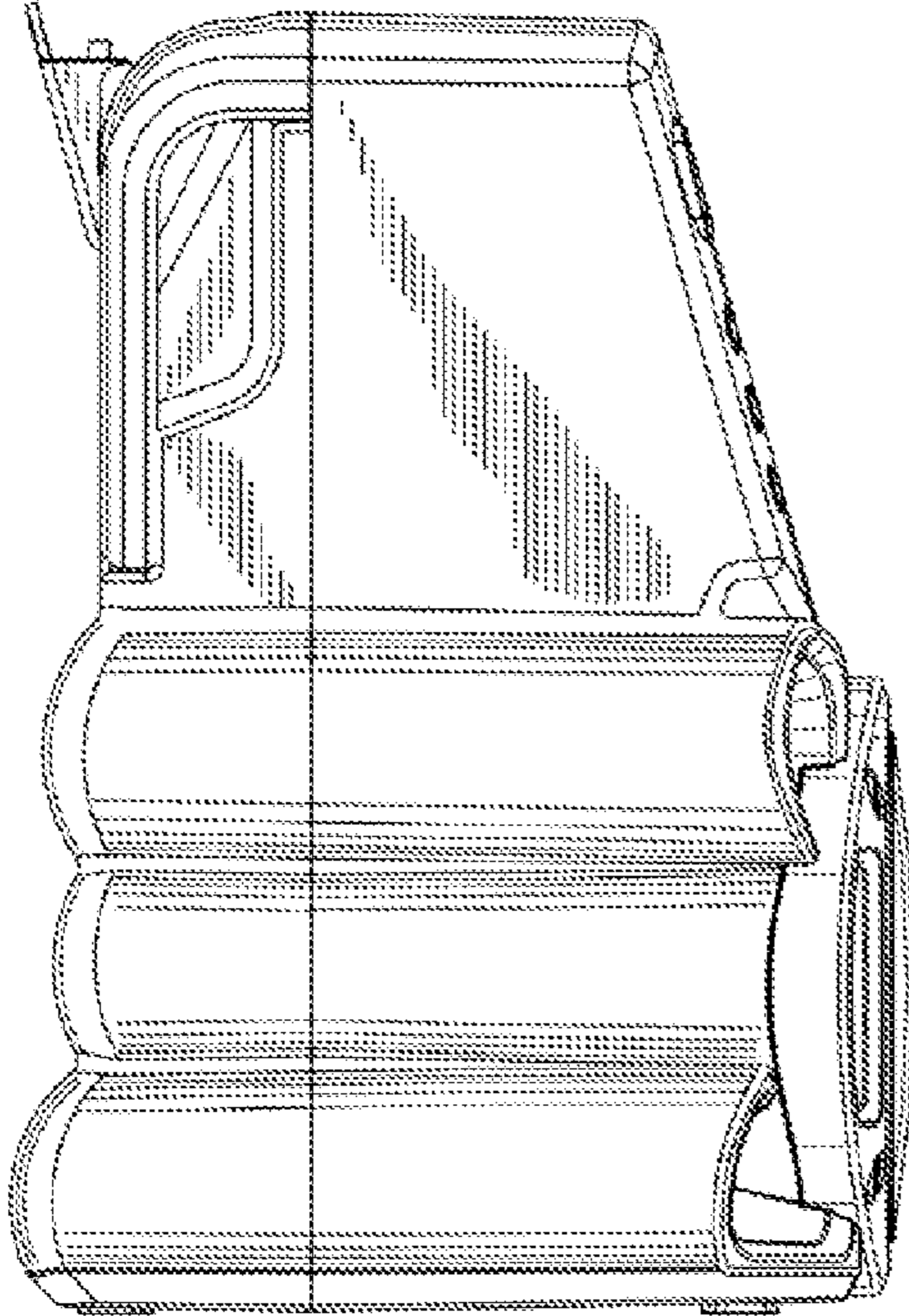


FIG. 4

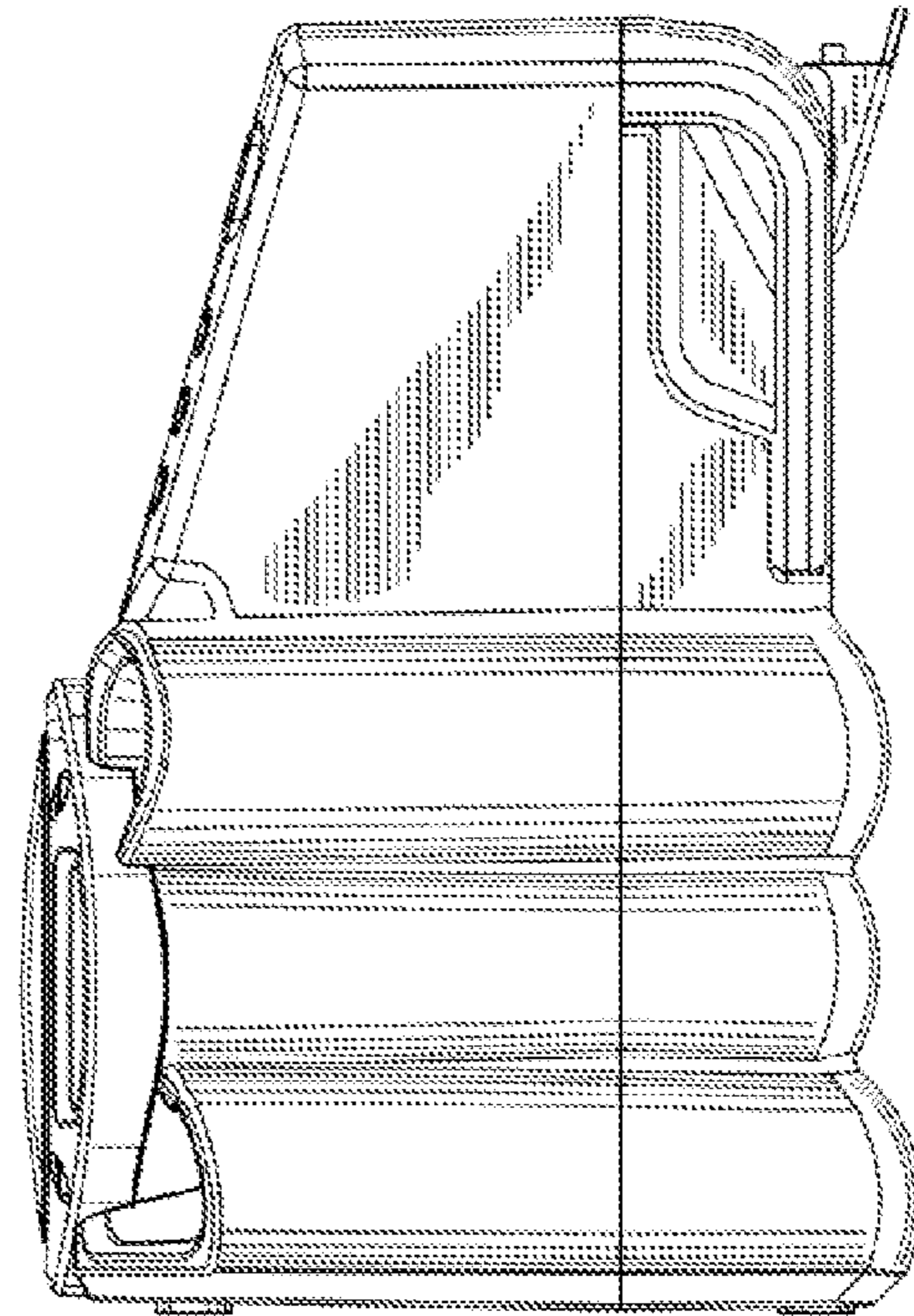


FIG. 5

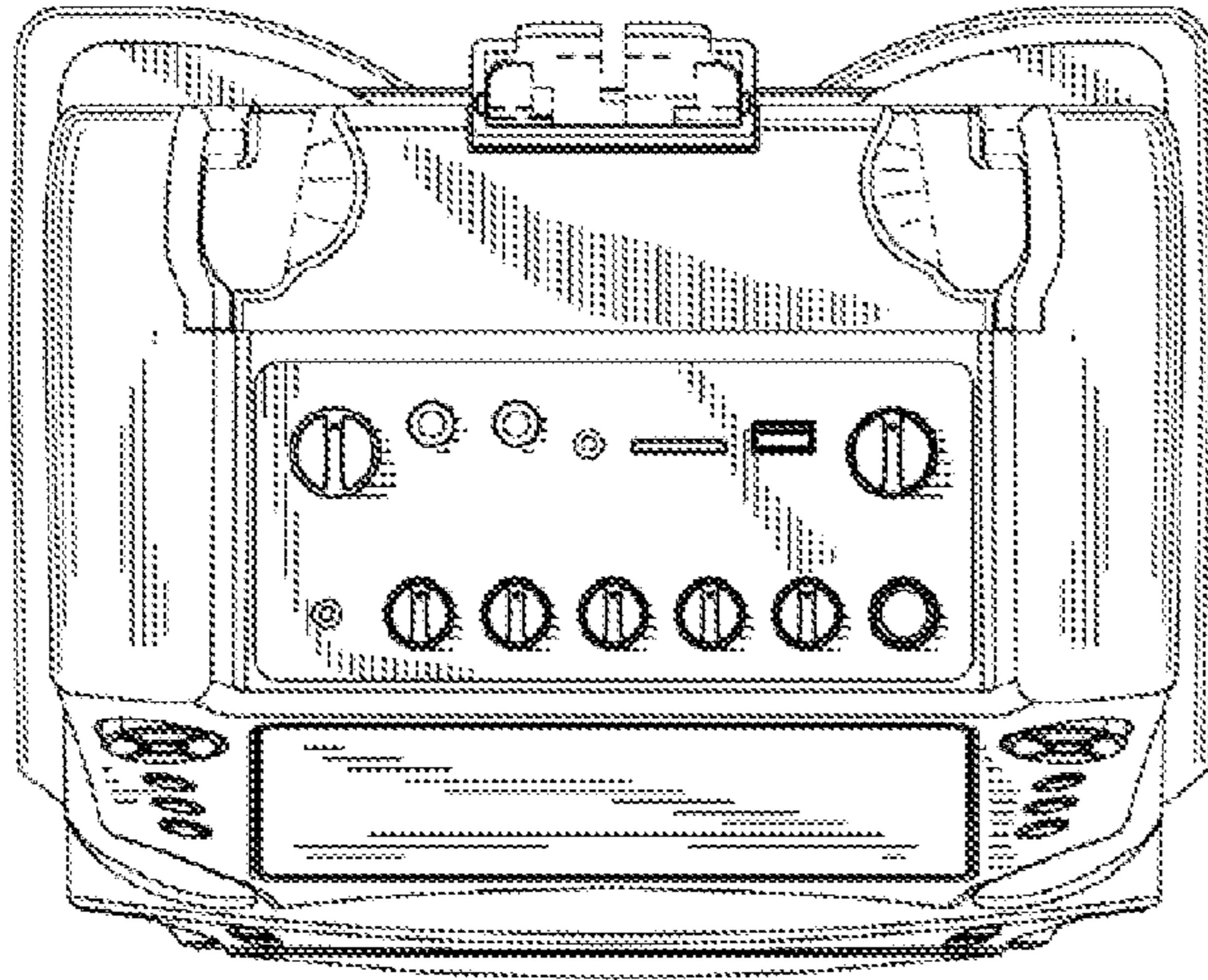


FIG. 6

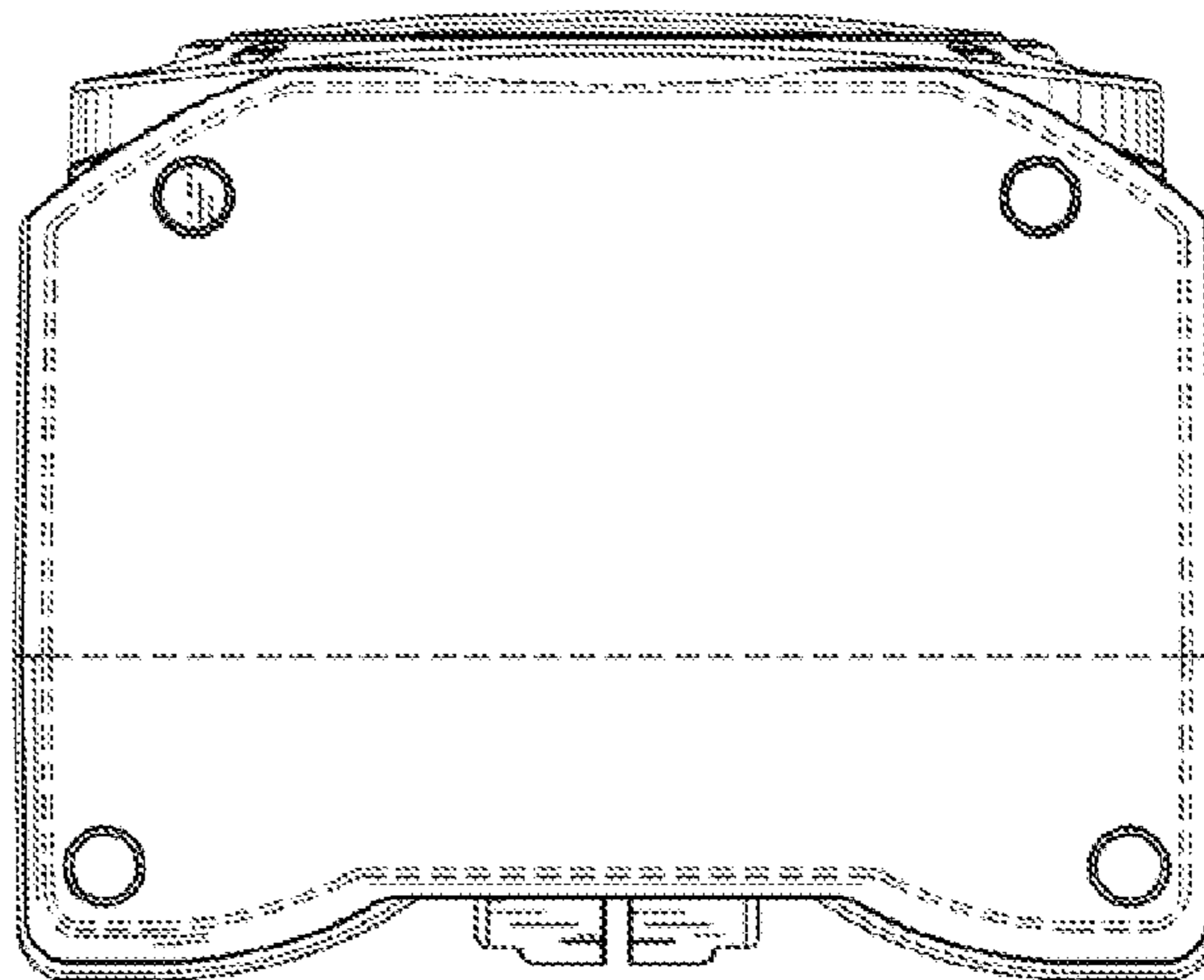


FIG. 7

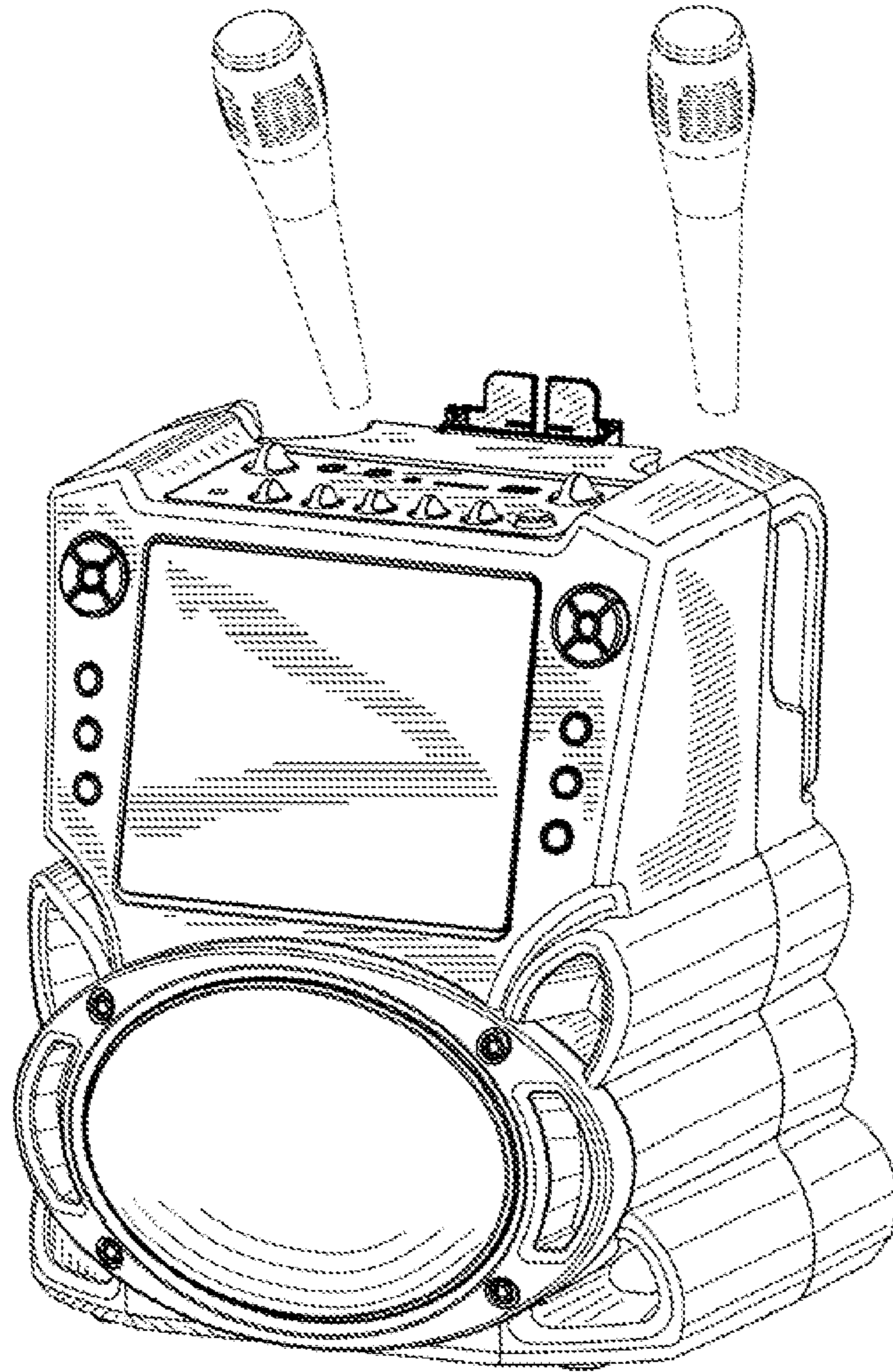


FIG. 8

