



US00D641368S

(12) **United States Design Patent**
McParland

(10) **Patent No.:** **US D641,368 S**

(45) **Date of Patent:** **** Jul. 12, 2011**

(54) **INTERFACE**

(75) **Inventor:** **Paul McParland**, Saratoga, CA (US)

(73) **Assignee:** **Seagate Technology LLC**, Scotts Valley, CA (US)

(**) **Term:** **14 Years**

(21) **Appl. No.:** **29/363,263**

(22) **Filed:** **Jun. 7, 2010**

(51) **LOC (9) Cl.** **14-02**

(52) **U.S. Cl.** **D14/434**

(58) **Field of Classification Search** D14/142,
D14/149, 217, 251, 253, 432, 434, 435, 447,
D14/496; D13/107-108, 118; 248/22.11,
248/309.1; 320/107, 110, 113, 115; D12/415,
D12/400

See application file for complete search history.

(56) **References Cited**

U.S. PATENT DOCUMENTS

2,986,365	A	*	5/1961	Boudouris	248/553
D199,728	S	*	12/1964	Hall	D4/199
D200,604	S	*	3/1965	Waterman	D9/432
D260,301	S	*	8/1981	O'Connor	D28/8.1
D301,331	S	*	5/1989	Rhodin	D13/107
D312,303	S	*	11/1990	Gustavsson	D23/359
D317,006	S	*	5/1991	Naderi et al.	D14/453
D322,438	S	*	12/1991	Skowronski	D14/151
D361,758	S	*	8/1995	Youens et al.	D14/434
D366,470	S	*	1/1996	Youens et al.	D14/434
D369,789	S	*	5/1996	Lucente et al.	D14/434
D397,675	S	*	9/1998	Brunner	D14/447
D424,026	S	*	5/2000	Kabat	D13/184
D476,764	S	*	7/2003	Khovaylo et al.	D26/37
D492,262	S	*	6/2004	Murray	D13/162
D509,199	S	*	9/2005	Haase et al.	D14/137
D560,683	S	*	1/2008	Lee	D14/496
D575,350	S	*	8/2008	Ashida et al.	D21/333
D581,355	S	*	11/2008	Grant	D13/107

7,449,861	B2	*	11/2008	Horigome	320/106
D582,659	S	*	12/2008	Katsof	D3/201
D586,348	S	*	2/2009	Leung et al.	D14/434
D602,469	S	*	10/2009	Bradford et al.	D14/214
D604,737	S	*	11/2009	Symons	D14/434

OTHER PUBLICATIONS

Amazon.com: Seagate FreeAgent GoFlex Desk Desktop Adapter—USB 3.0 Kit STAE107: Electronics, p. 1 [online], [retrieved on Mar. 29, 2011]. Retrieved from the Internet <URL: <http://www.amazon.com/...JCT7PV7CITM4GDMA%26tag%3Ddealnay-20%26linkCode%3Dxm2%26camp%3D2025%26creative%3D165953%26creativeASIN%3DB003KGBBSG>>.*

* cited by examiner

Primary Examiner — Cathron C Brooks

Assistant Examiner — Karen E Kearney

(74) *Attorney, Agent, or Firm* — Banner & Witcoff, Ltd.

(57) **CLAIM**

The ornamental design for an interface, as shown and described.

DESCRIPTION

FIG. 1 is a perspective view of an interface showing my new design;

FIG. 2 is a front view thereof;

FIG. 3 is a rear view thereof;

FIG. 4 is a left side view thereof;

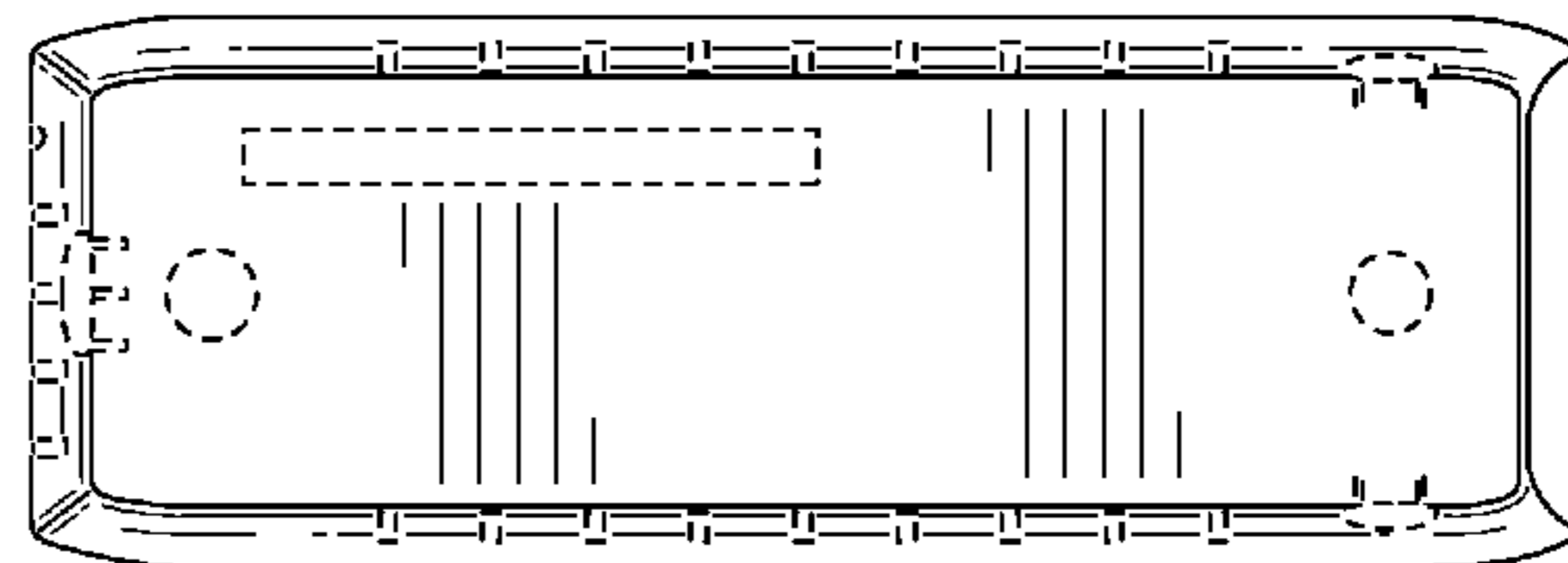
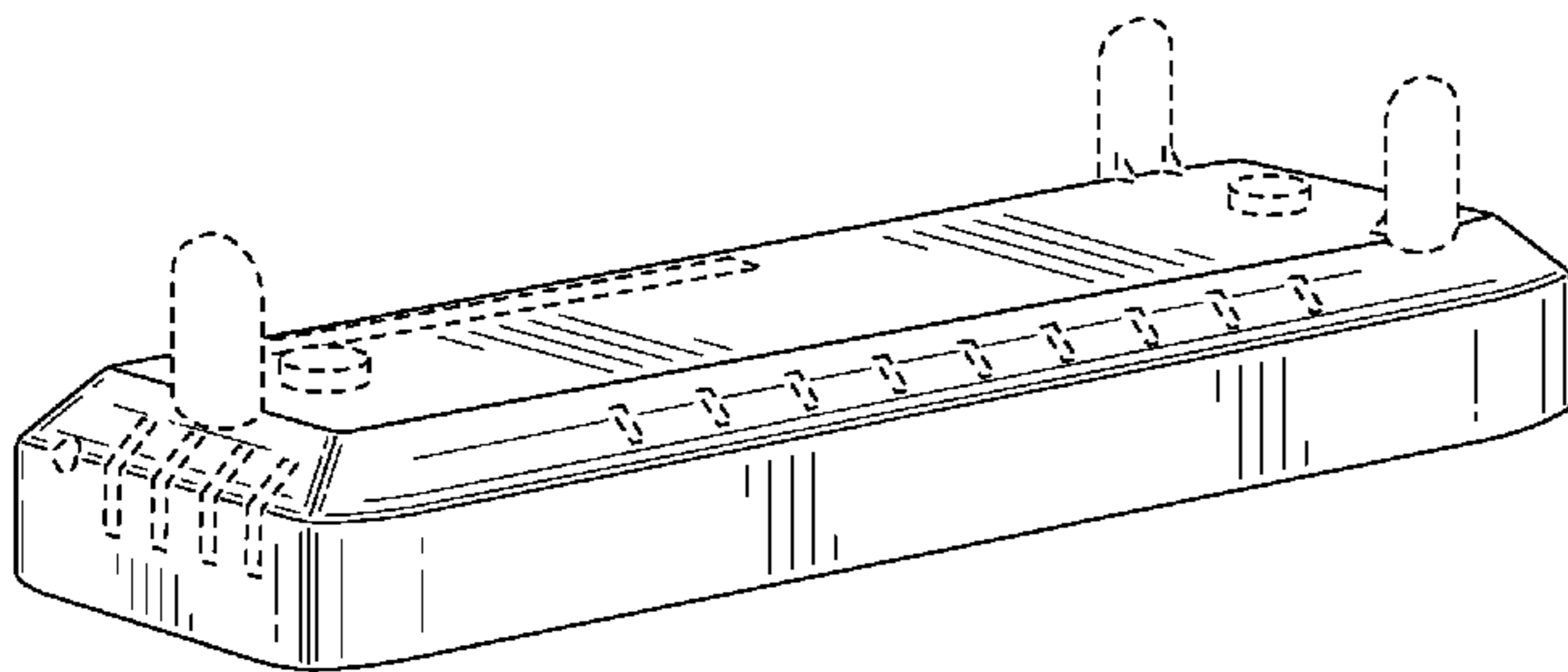
FIG. 5 is a right side view thereof;

FIG. 6 is a top view thereof; and,

FIG. 7 is a bottom view thereof.

The broken line showing of the outline of the bottom of the interface in FIG. 7 represent the bounds of the claimed design while all other broken lines are for the purpose of illustrating unclaimed portions of the interface only; all broken lines form no part of the claimed design.

1 Claim, 4 Drawing Sheets



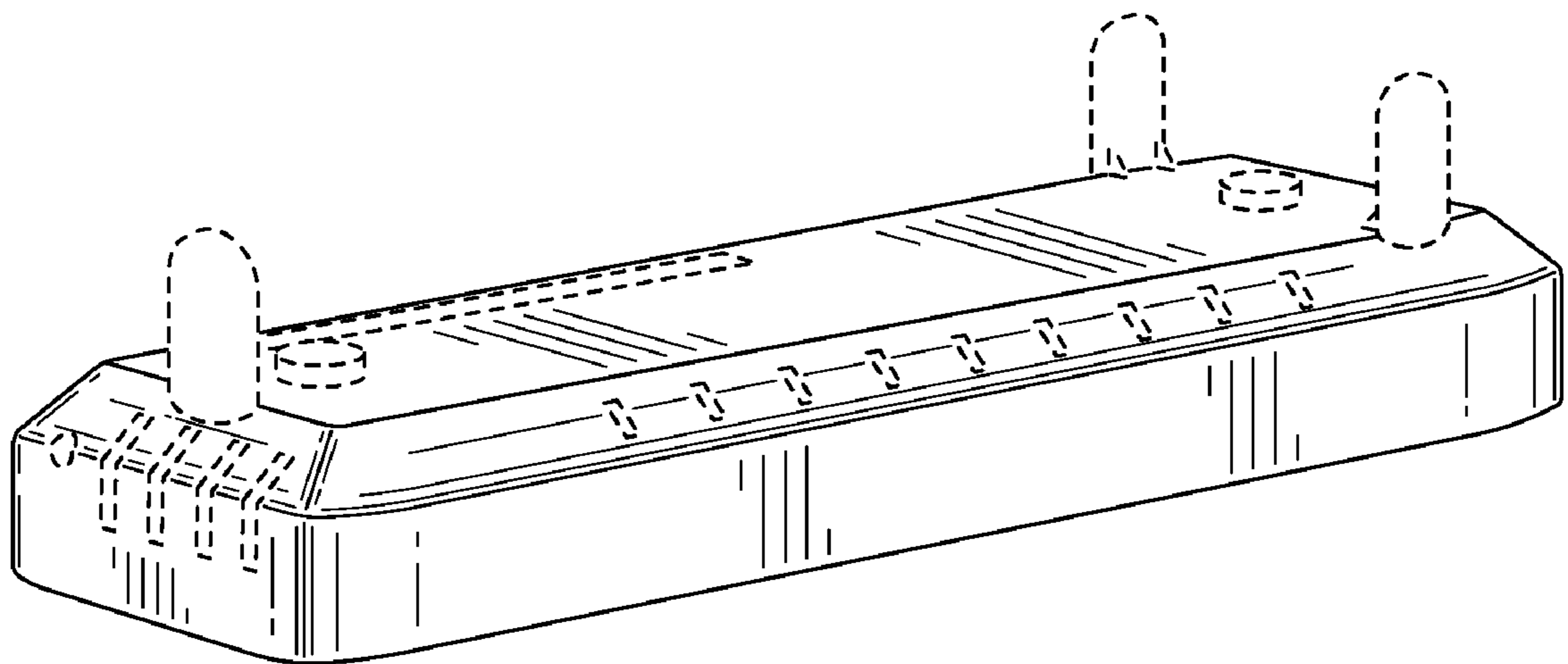


FIG. 1

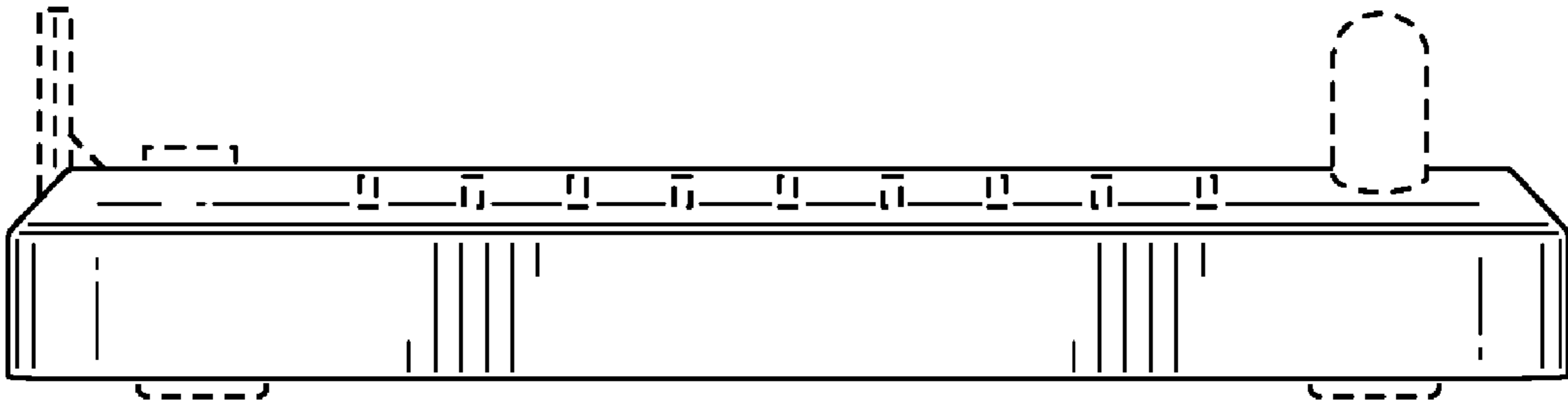


FIG. 2

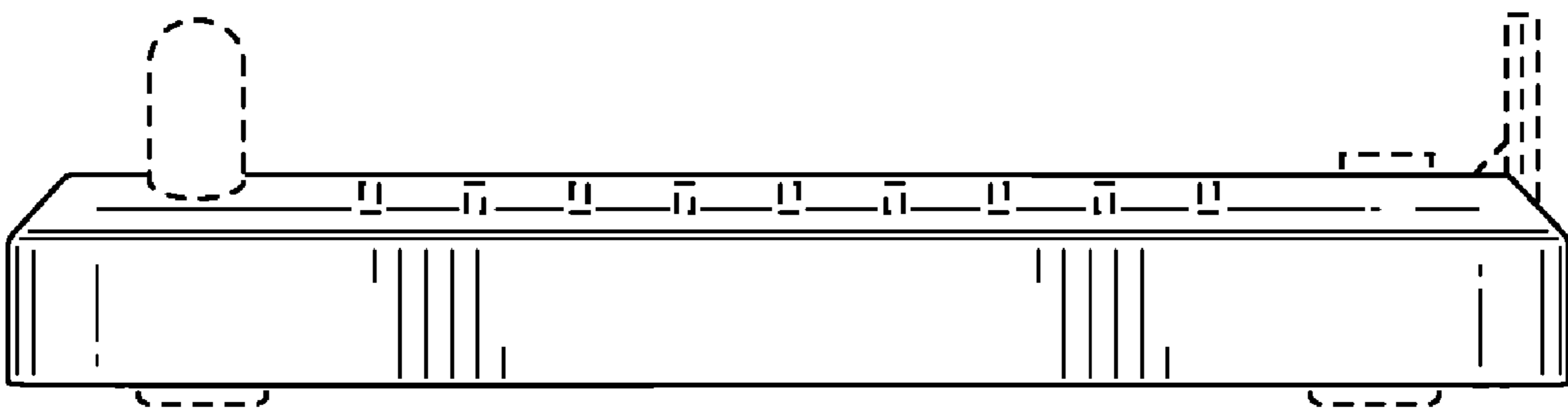


FIG. 3

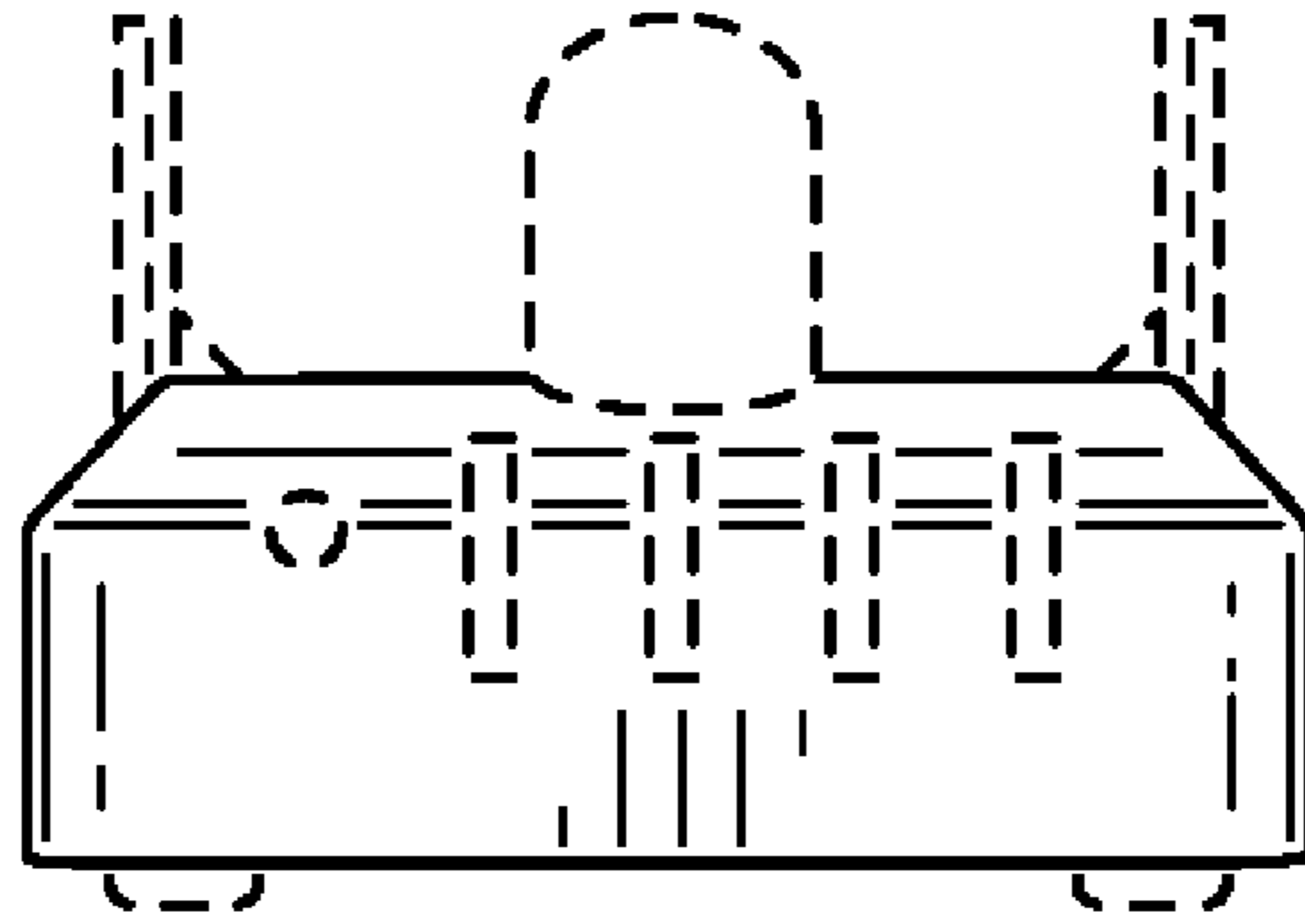


FIG. 4

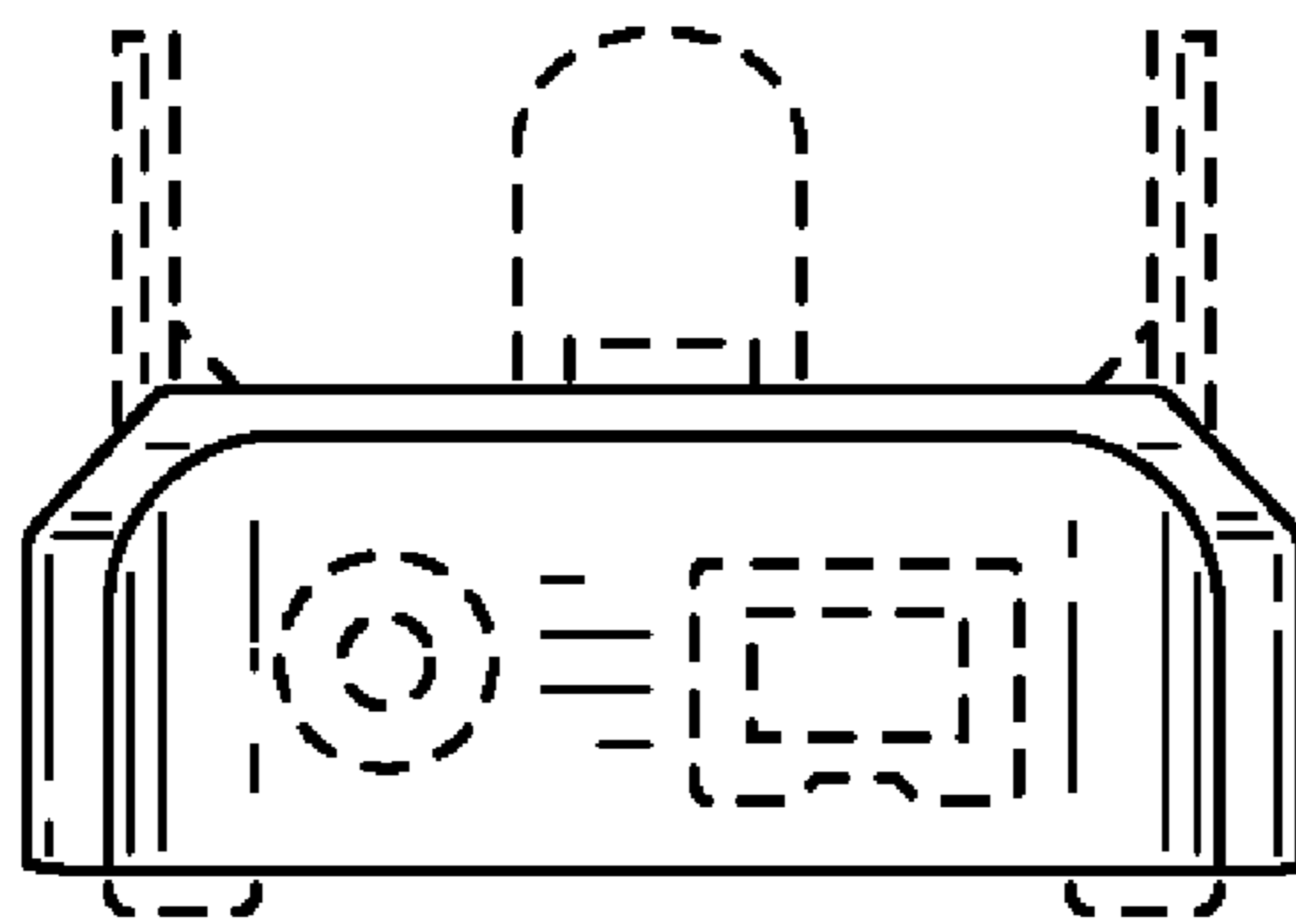


FIG. 5

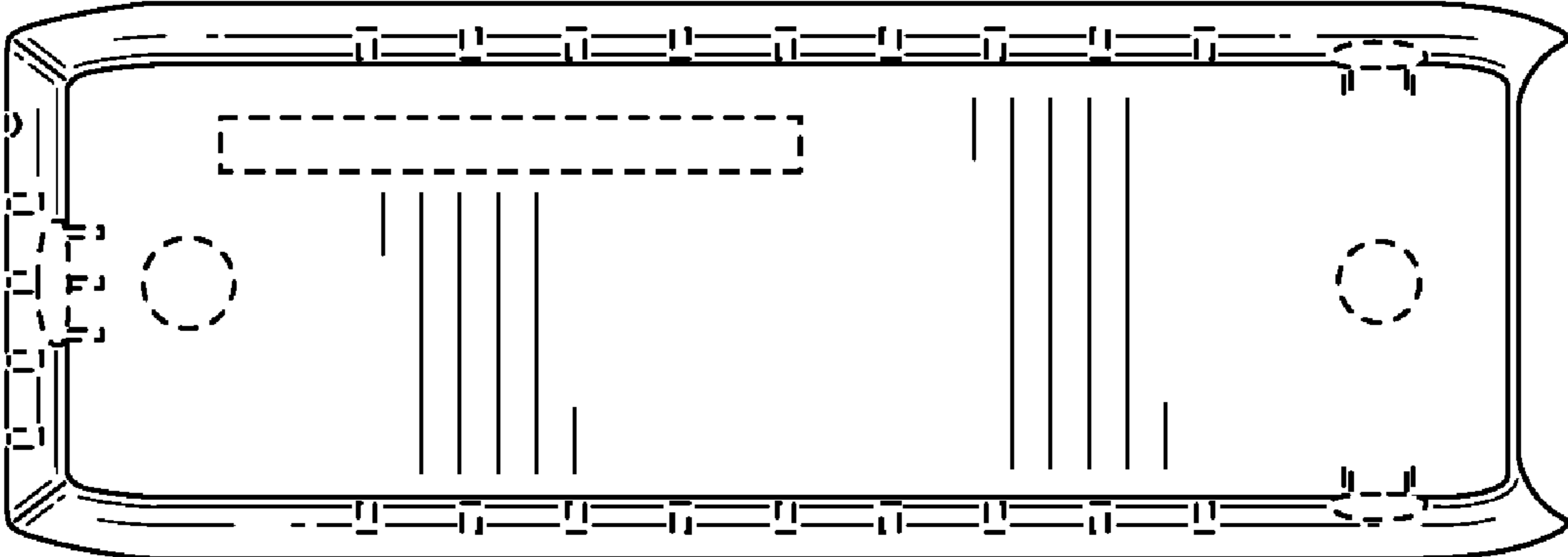


FIG. 6



FIG. 7