

US00D641367S

(12) **United States Design Patent**  
**Morabito**

(10) **Patent No.:** **US D641,367 S**  
(45) **Date of Patent:** **\*\* Jul. 12, 2011**

(54) **DOCKING STATION**

(75) Inventor: **Pascal Ito Morabito**, Paris (FR)

(73) Assignee: **Deutsche Telekom AG**, Bonn (DE)

(\*\*) Term: **14 Years**

(21) Appl. No.: **29/329,705**

(22) Filed: **Dec. 19, 2008**

(51) **LOC (9) Cl.** ..... **14-02**

(52) **U.S. Cl.** ..... **D14/434**

(58) **Field of Classification Search** ..... D14/432-434,  
D14/314, 204; D13/108, 146; D23/314,  
D23/328; 248/346.03; 361/679.41, 679.31,  
361/679.32, 679.4, 679.43; 70/58; D21/333;  
320/112

See application file for complete search history.

(56) **References Cited**

**U.S. PATENT DOCUMENTS**

D400,515	S *	11/1998	Shima	.....	D14/433
D413,312	S *	8/1999	Suzuki	.....	D14/434
D430,882	S *	9/2000	Tsai	.....	D14/434
6,724,615	B2 *	4/2004	Kambayashi et al.	.....	361/679.4
D505,958	S *	6/2005	Cheng	.....	D14/434
2003/0008566	A1 *	1/2003	Kato et al.	.....	439/638
2003/0148656	A1 *	8/2003	Huang	.....	439/501
2004/0043657	A1 *	3/2004	Helot et al.	.....	439/535
2007/0072485	A1 *	3/2007	Lin et al.	.....	439/527

**FOREIGN PATENT DOCUMENTS**

DE	402008000099	S	3/2008
EM	898465-0001	S	6/2008
EM	898465-0002	S	6/2008

EM	898465-0003	S	6/2008
EM	898465-0004	S	6/2008
EM	898465-0005	S	6/2008
EM	898465-0006	S	6/2008
EM	898465-0007	S	6/2008
EM	898465-0008	S	6/2008
EM	898465-0009	S	6/2008
EM	898465-0010	S	6/2008
EM	898465-0011	S	6/2008
EM	898465-0012	S	6/2008
EM	898465-0013	S	6/2008
EM	902663-0005	S	7/2008
EM	1013874-0002	S	10/2008
EM	1013874-0004	S	10/2008

\* cited by examiner

*Primary Examiner* — Freda Nunn

(74) *Attorney, Agent, or Firm* — Hogan Lovells US LLP

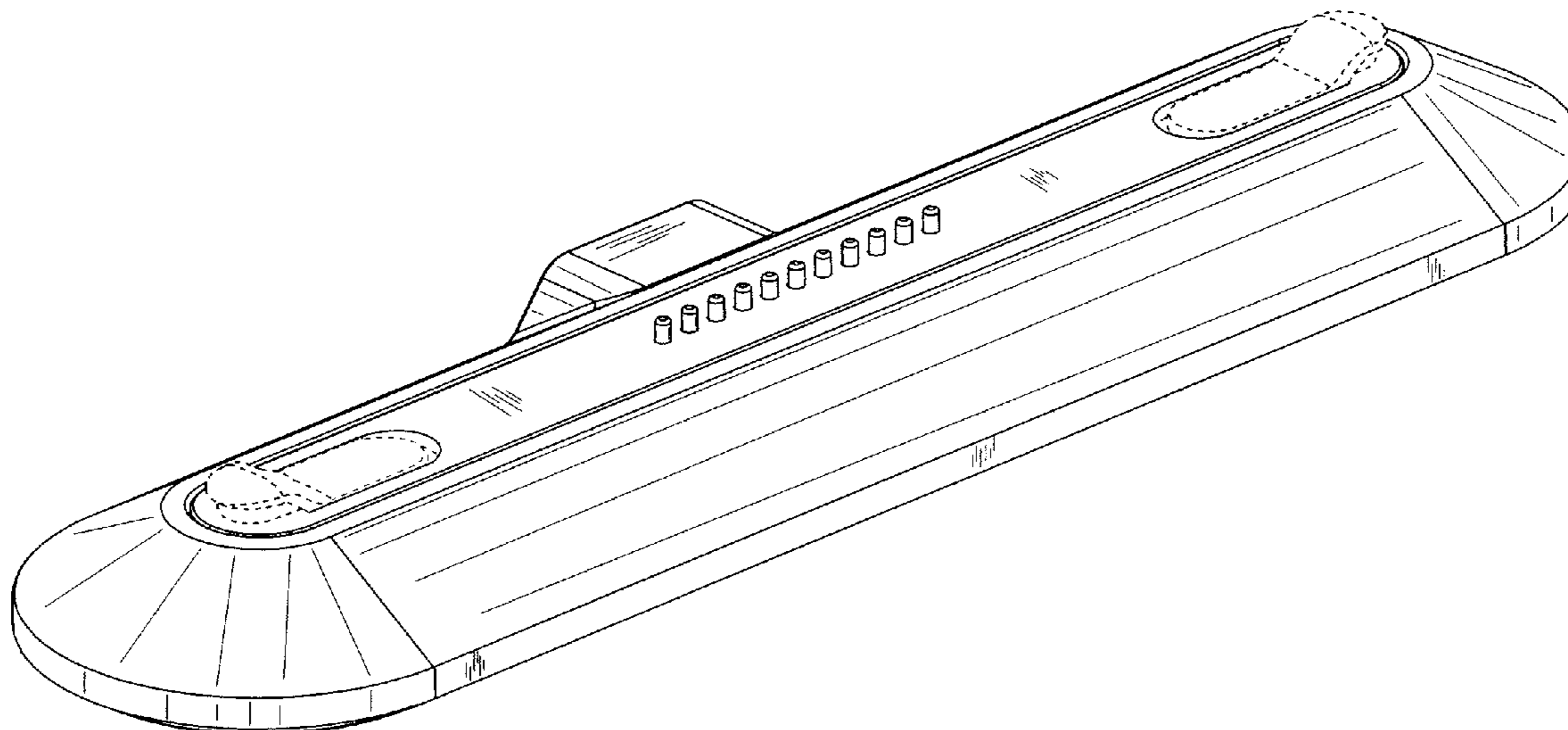
(57) **CLAIM**

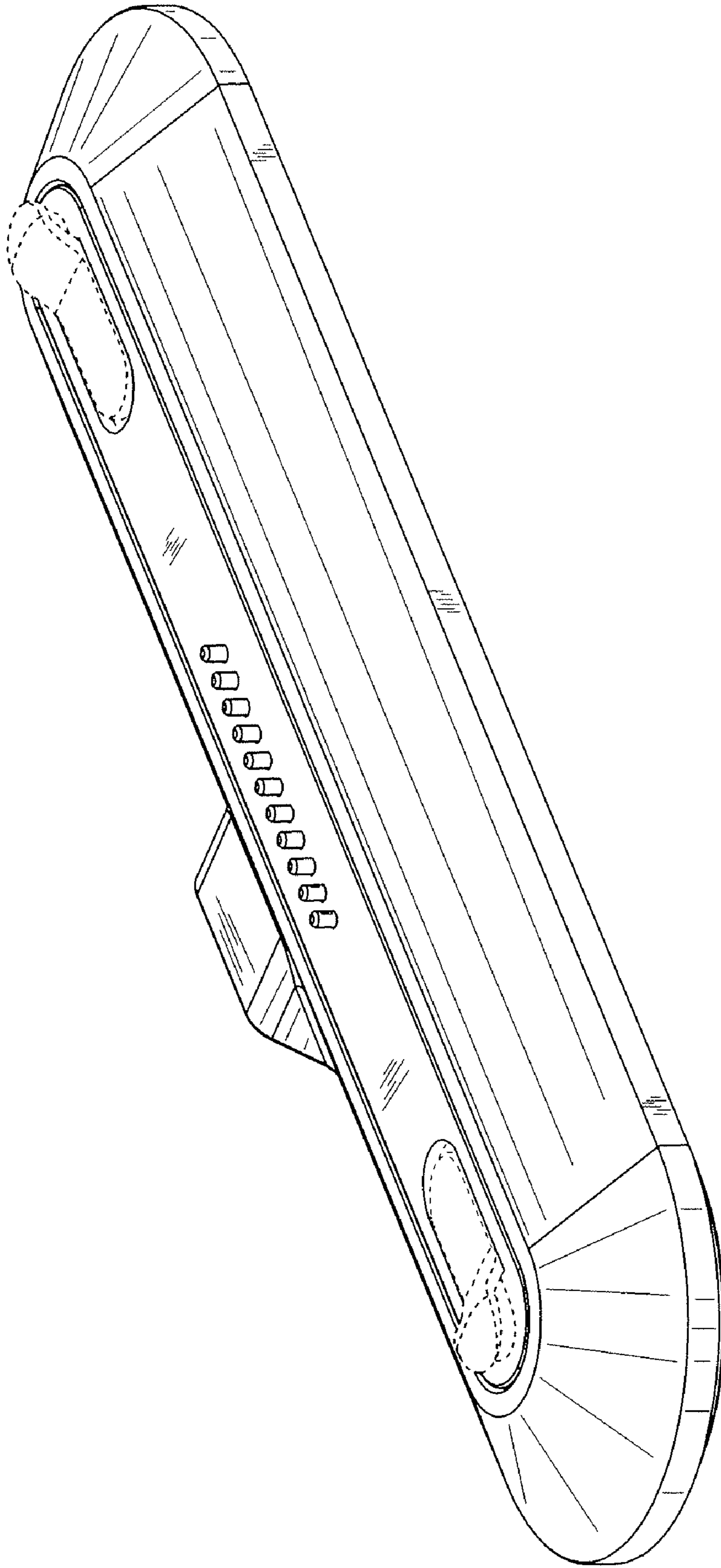
The ornamental design for a docking station, as shown and described.

**DESCRIPTION**

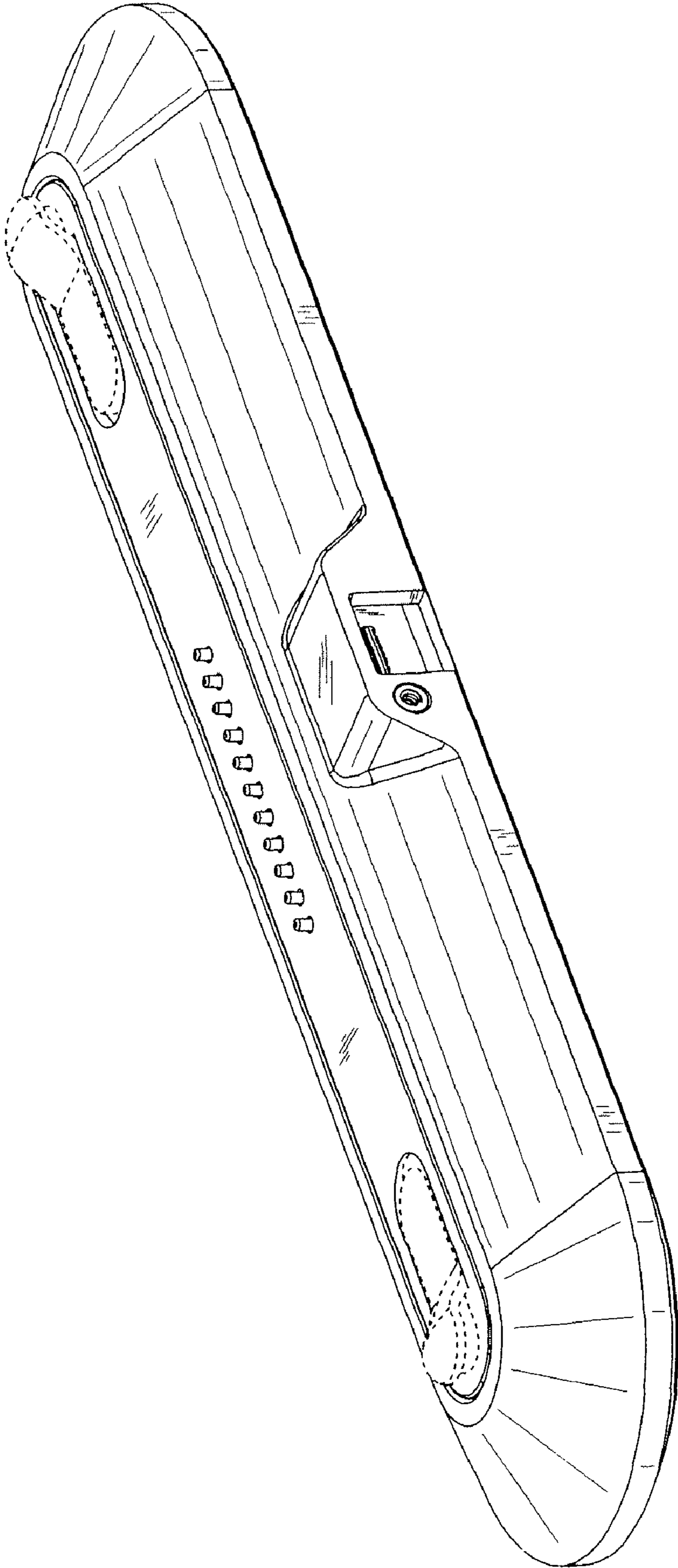
FIG. 1 is a perspective view from the front side of a docking station showing my new design;  
FIG. 2 is a perspective view from rear side thereof;  
FIG. 3 is a top view thereof;  
FIG. 4 is a bottom view thereof;  
FIG. 5 is a front side view thereof;  
FIG. 6 is a rear side view thereof;  
FIG. 7 is a left side view thereof; and,  
FIG. 8 is a right side view thereof.  
Broken lines shown in the drawings illustrate portions of the docking station, and form no part of the claimed design.

**1 Claim, 6 Drawing Sheets**

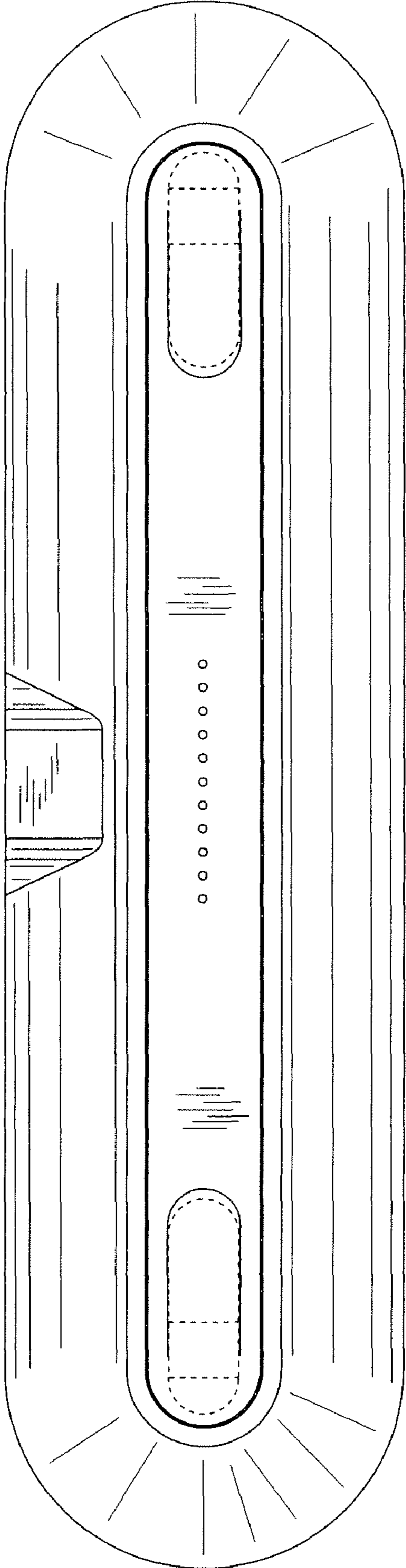




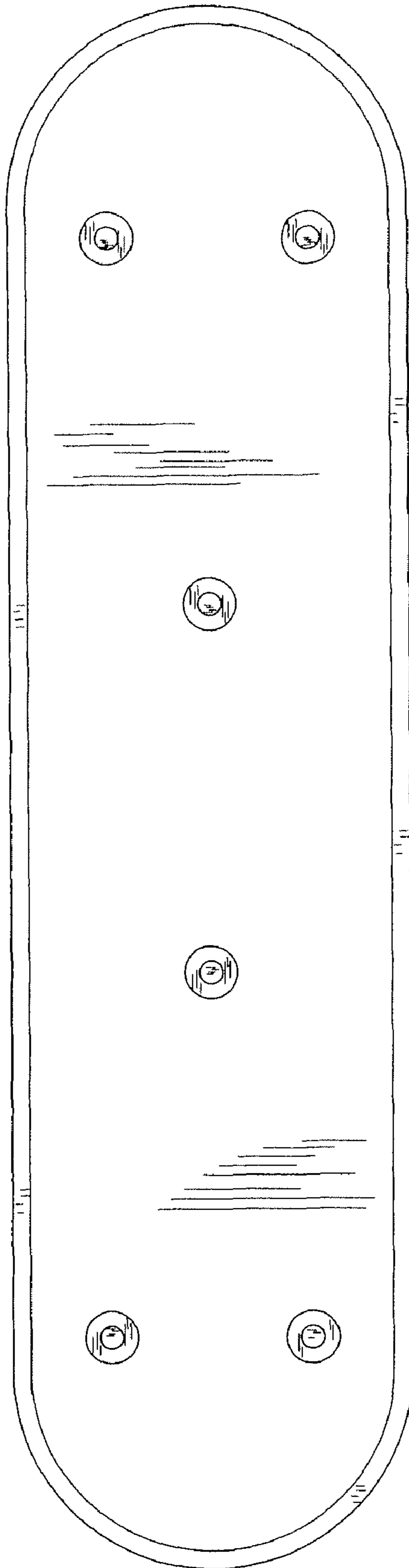
**FIG. 1**



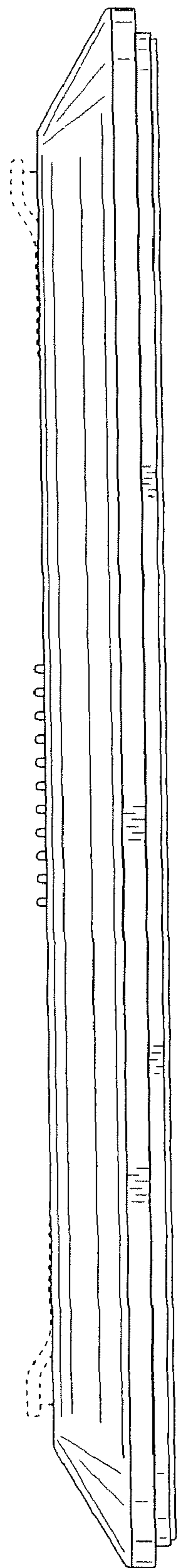
**FIG. 2**



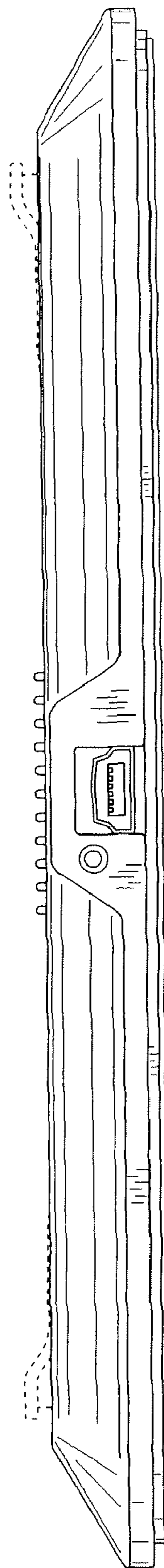
**FIG. 3**



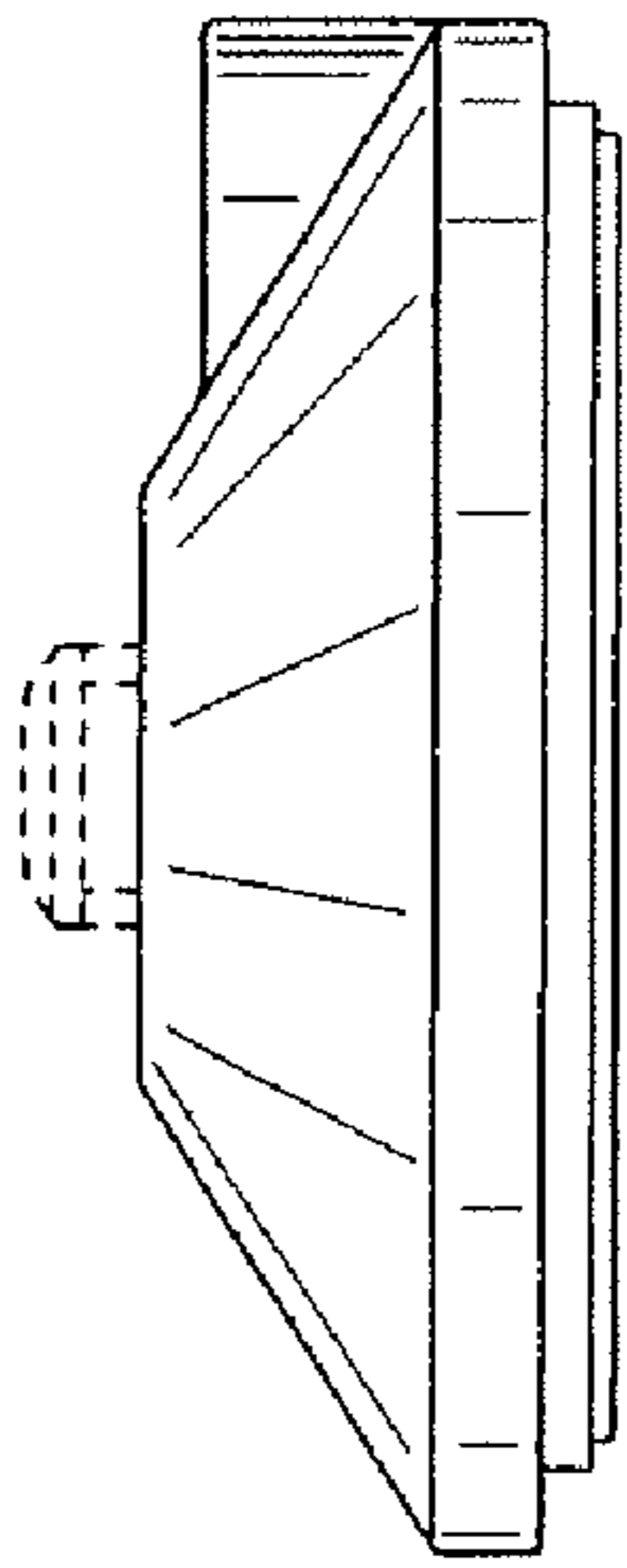
**FIG. 4**



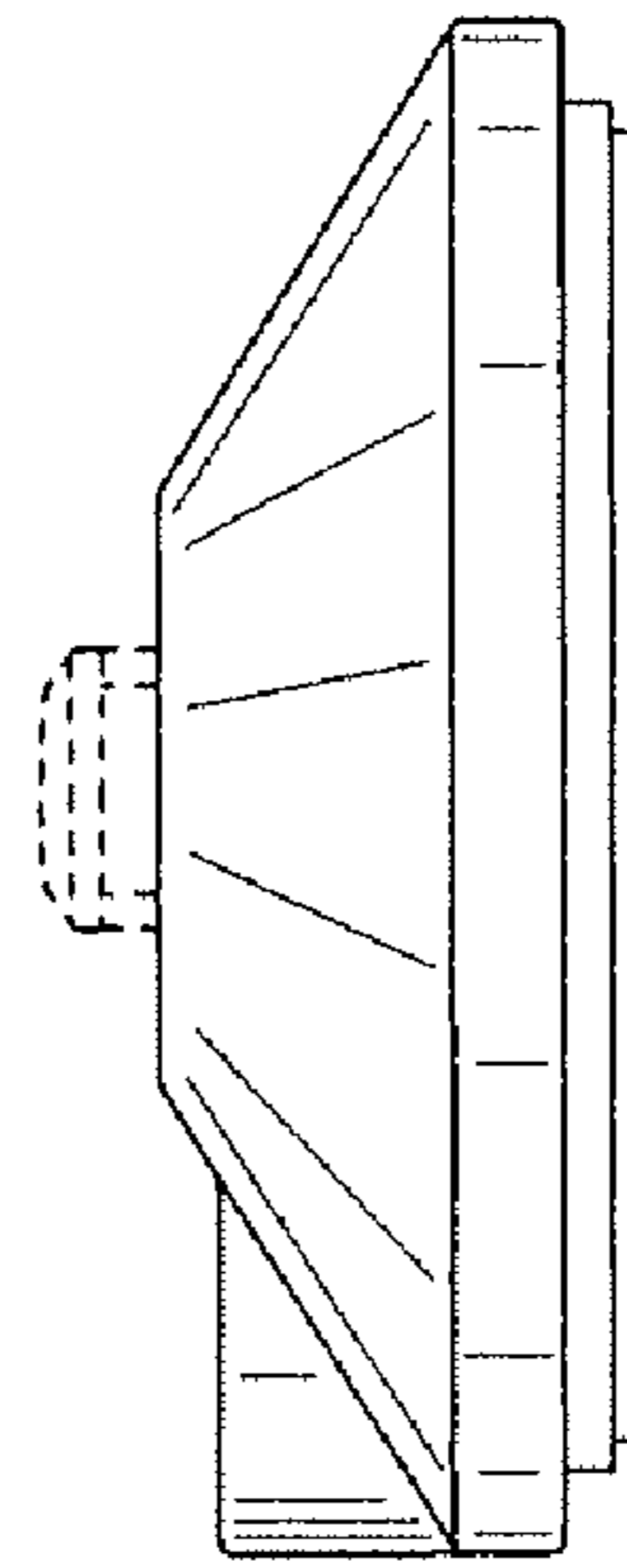
**FIG. 5**



**FIG. 6**



**FIG. 7**



**FIG. 8**