



US00D641365S

(12) **United States Design Patent**
Lee et al.

(10) **Patent No.:** **US D641,365 S**
(45) **Date of Patent:** **** Jul. 12, 2011**

(54) **PORTABLE OPTICAL DISK DRIVE**

(75) Inventors: **Se-O Lee**, Yongin-si (KR); **Sang-Won Yoon**, Seoul (KR)

(73) Assignee: **Samsung Electronics Co., Ltd.**,
Maetan-dong, Yeongtong-gu, Suwon-si,
Gyeonggi-do (KR)

(**) Term: **14 Years**

(21) Appl. No.: **29/359,193**

(22) Filed: **Apr. 7, 2010**

(51) **LOC (9) Cl.** **14-02**

(52) **U.S. Cl.** **D14/368**

(58) **Field of Classification Search** D14/496,
D14/125, 135, 167, 314, 341, 348, 353, 356-370,
D14/383, 385; D13/103, 184; 220/4.02;
361/679.31-679.45; 369/30.03

See application file for complete search history.

(56) **References Cited**

U.S. PATENT DOCUMENTS

D287,253 S *	12/1986	Satake	D18/12
D318,673 S *	7/1991	Terk	D14/230
D320,023 S *	9/1991	Gault	D14/299
D414,187 S *	9/1999	Lange et al.	D14/231
D476,987 S *	7/2003	Takiguchi et al.	D14/341
D504,889 S *	5/2005	Andre et al.	D14/341
D533,148 S *	12/2006	Hong	D14/125
D537,445 S *	2/2007	Bousfield	D14/383
D540,318 S *	4/2007	Wang	D14/300
D577,020 S *	9/2008	Park	D14/363

D590,395 S *	4/2009	Heggland	D14/363
D596,626 S *	7/2009	Andre et al.	D14/240
D604,729 S *	11/2009	Andre et al.	D14/314
D611,942 S *	3/2010	Kemery	D14/341
D618,240 S *	6/2010	Larmour et al.	D14/358
D624,076 S *	9/2010	Huh et al.	D14/366
D625,722 S *	10/2010	Park	D14/365
D626,099 S *	10/2010	Huang	D14/125
D628,573 S *	12/2010	Wang	D14/356
2005/0287852 A1 *	12/2005	Sugawara et al.	439/135
2009/0176391 A1 *	7/2009	Brock et al.	439/136

* cited by examiner

Primary Examiner — Cathron C Brooks

Assistant Examiner — Karen E Kearney

(74) *Attorney, Agent, or Firm* — Lexyoume IP Group, PLLC.

(57) **CLAIM**

The ornamental design for a portable optical disk drive, as shown and described.

DESCRIPTION

FIG. 1 is a perspective view of a portable optical disk drive showing our new design;

FIG. 2 is a front elevational view thereof;

FIG. 3 is a rear elevational view thereof;

FIG. 4 is a left side elevational view thereof;

FIG. 5 is a right side elevational view thereof;

FIG. 6 is a top plan view thereof; and,

FIG. 7 is a bottom plan view thereof.

The broken lines shown in FIG. 3 are for the purpose of illustrating unclaimed portions of the portable optical disk drive and form no part of the claimed design.

1 Claim, 7 Drawing Sheets

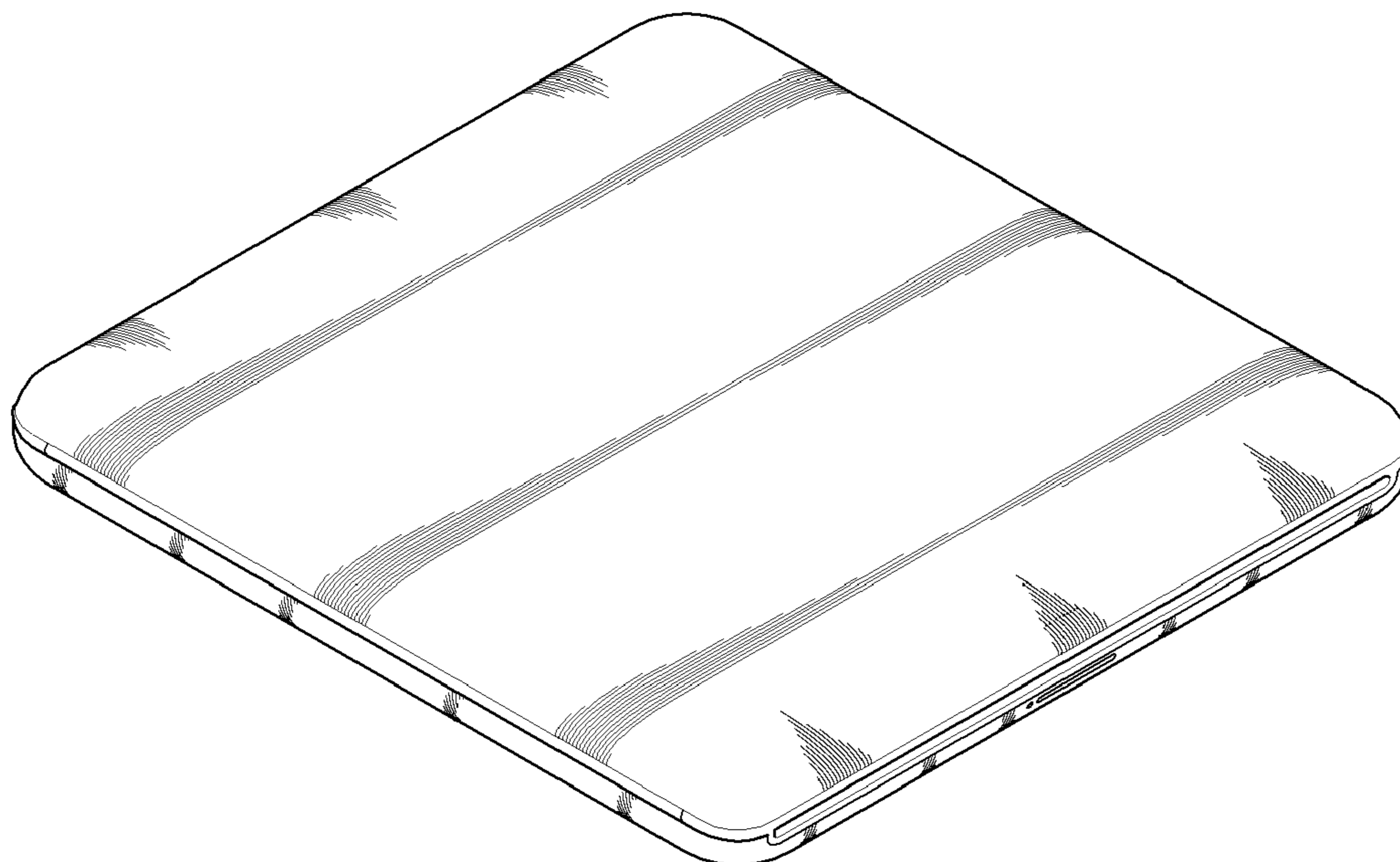


FIG. 1

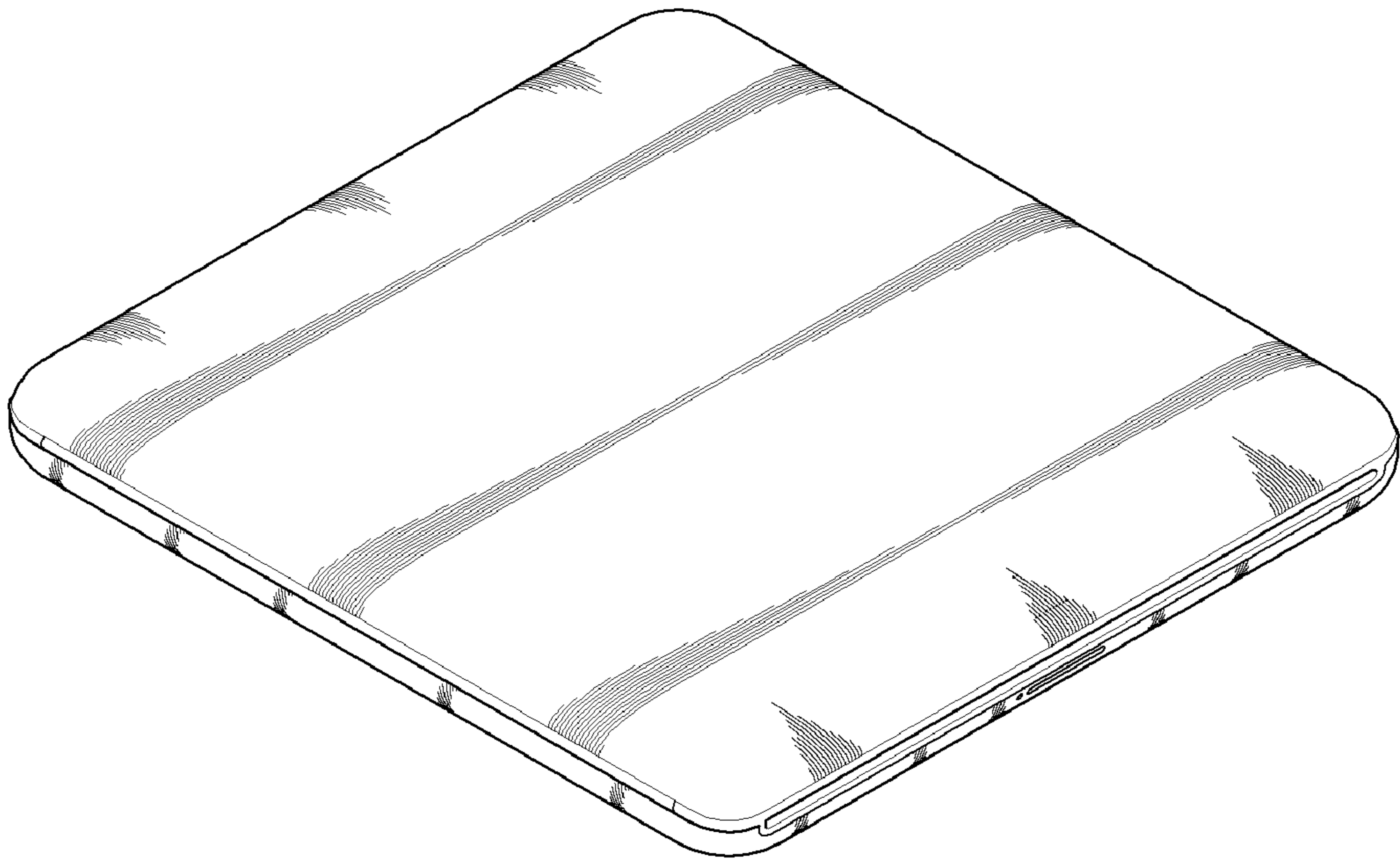


FIG. 2

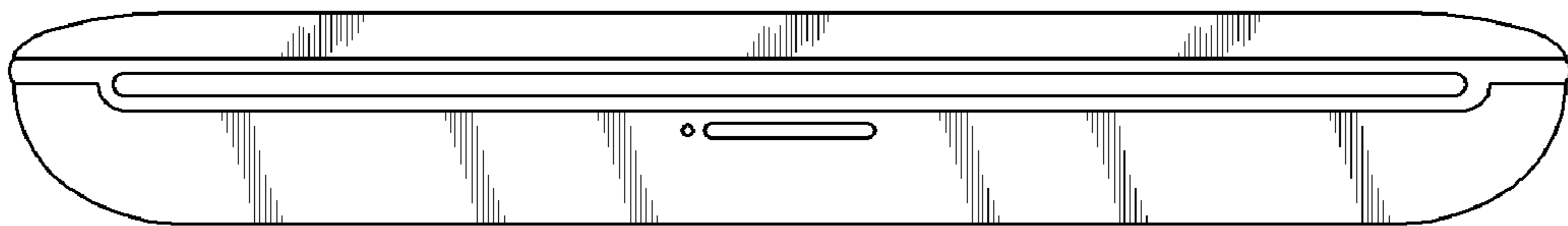


FIG. 3

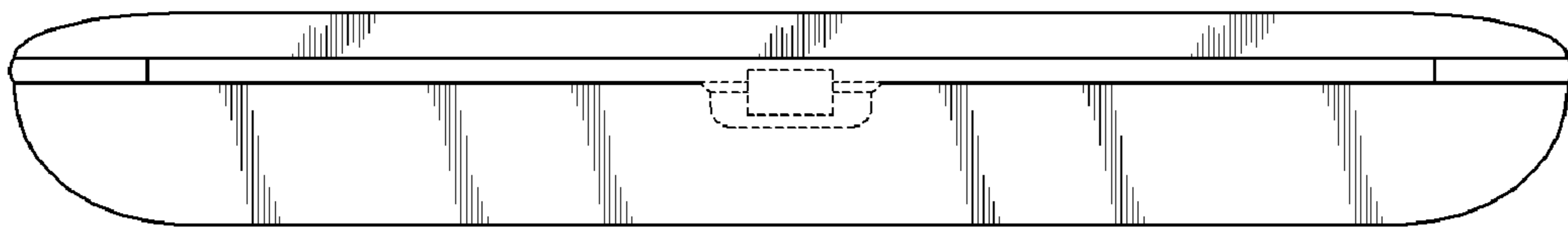


FIG. 4

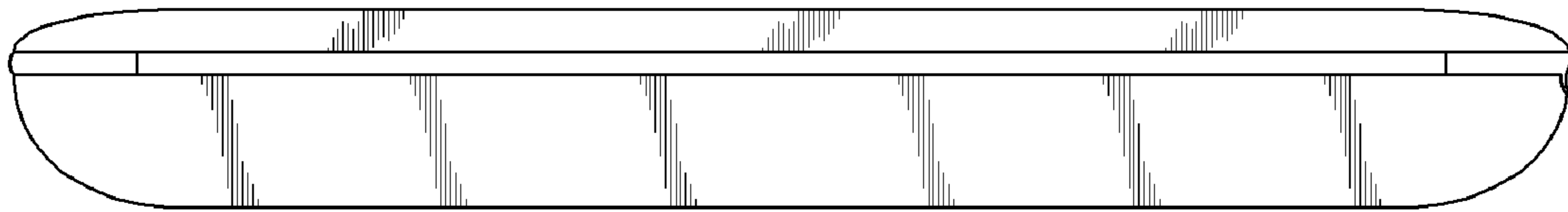


FIG. 5

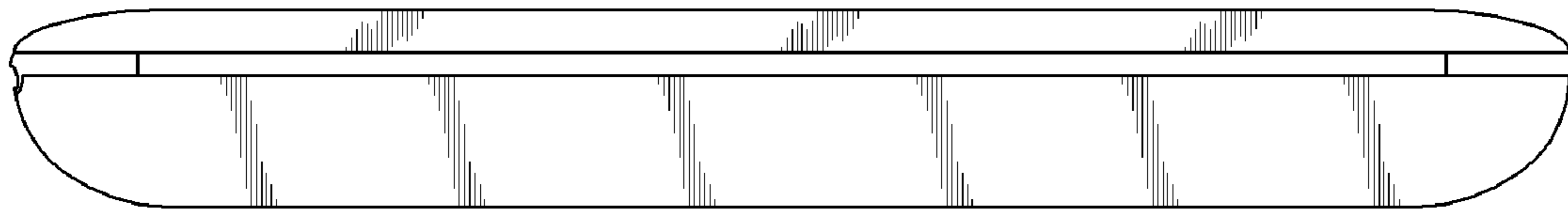


FIG. 6

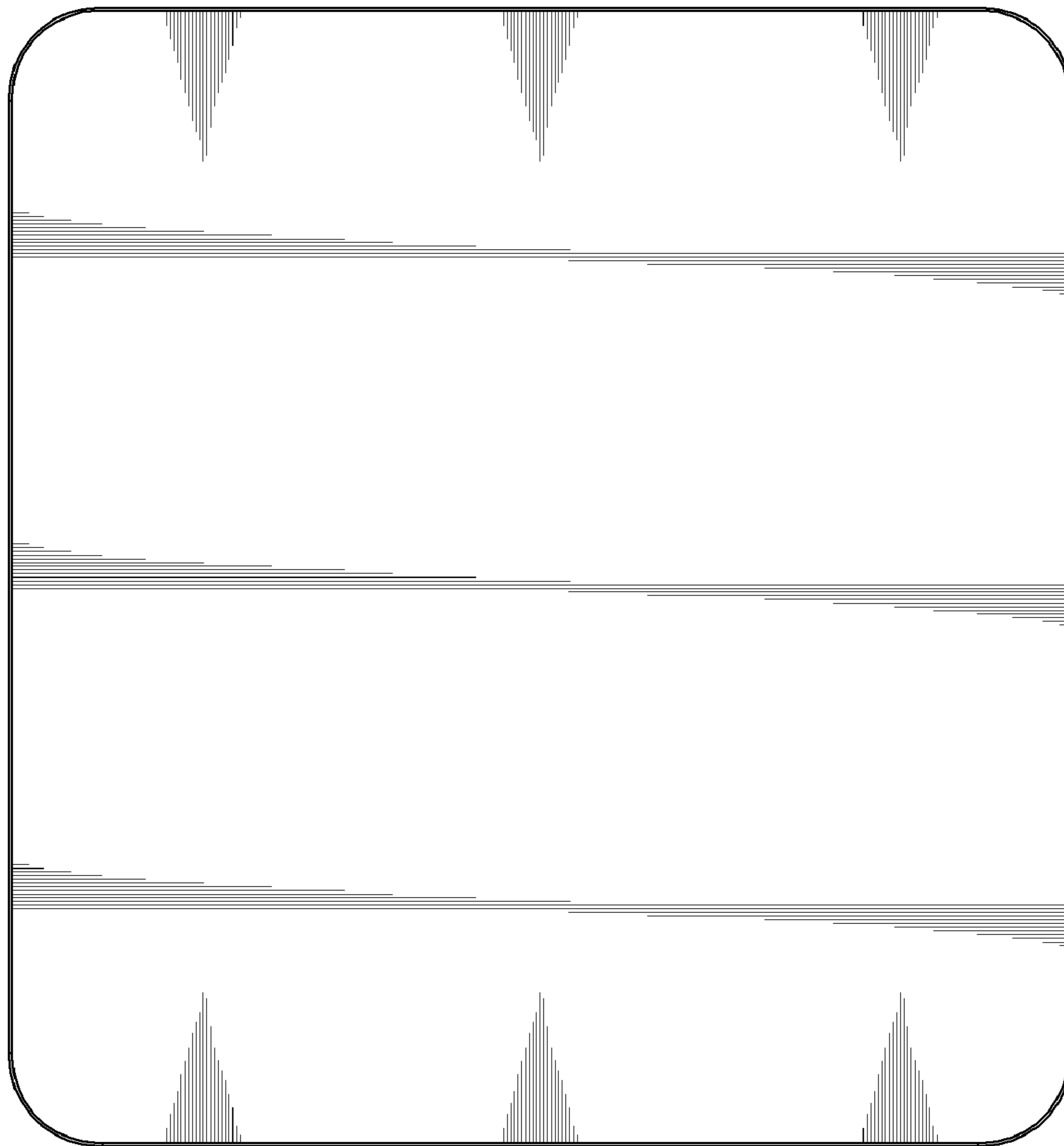


FIG. 7

