



US00D641361S

(12) **United States Design Patent**
Ledbetter et al.

(10) **Patent No.:** **US D641,361 S**
(45) **Date of Patent:** **** Jul. 12, 2011**

(54) **HOUSING FOR A MEMORY DEVICE**

(75) Inventors: **Carl J. Ledbetter**, Mercer Island, WA
(US); **Dustin R. Brown**, Chicago, IL
(US)

(73) Assignee: **Microsoft Corporation**, Redmond, WA
(US)

(**) Term: **14 Years**

(21) Appl. No.: **29/362,454**

(22) Filed: **May 25, 2010**

(51) **LOC (9) Cl.** **14-02**

(52) **U.S. Cl.** **D14/356**

(58) **Field of Classification Search** D14/300-302,
D14/314, 348-358, 432, 447, 451-452, 496,
D14/125, 240, 242, 299; 361/679.31-679.45;
D3/201, 273; D18/56; D10/65, 75, 78; D13/103,
D13/149, 162, 184, 199; D19/91-92; D6/474;
248/442.2, 447, 441.1, 918

See application file for complete search history.

(56) **References Cited**

U.S. PATENT DOCUMENTS

D290,705	S	*	7/1987	Yomo	D14/435
D305,330	S	*	1/1990	Walters et al.	D14/451
4,937,806	A	*	6/1990	Babson et al.	720/651
D368,429	S	*	4/1996	Serio, Jr.	D9/431
D394,386	S	*	5/1998	Fischer	D9/432
D395,048	S	*	6/1998	Kobayashi	D14/240
D424,026	S	*	5/2000	Kabat	D13/184
D477,824	S	*	7/2003	Taniguchi	D14/434
6,757,161	B2	*	6/2004	Lai et al.	361/679.56

D526,321	S		8/2006	Hayes et al.		
D538,643	S	*	3/2007	Babbino et al.	D9/430
D594,864	S	*	6/2009	Song	D14/358
D610,538	S	*	2/2010	Wu et al.	D13/103
D621,843	S	*	8/2010	Salzedo	D14/480.7
2007/0211425	A1	*	9/2007	Zhao et al.	361/685

OTHER PUBLICATIONS

Images of Microsoft Xbox 360 Hard Drive, date believed to be 2005.

* cited by examiner

Primary Examiner — Cathron Brooks

Assistant Examiner — Karen E Kearney

(74) *Attorney, Agent, or Firm* — Banner & Witcoff, Ltd.

(57) **CLAIM**

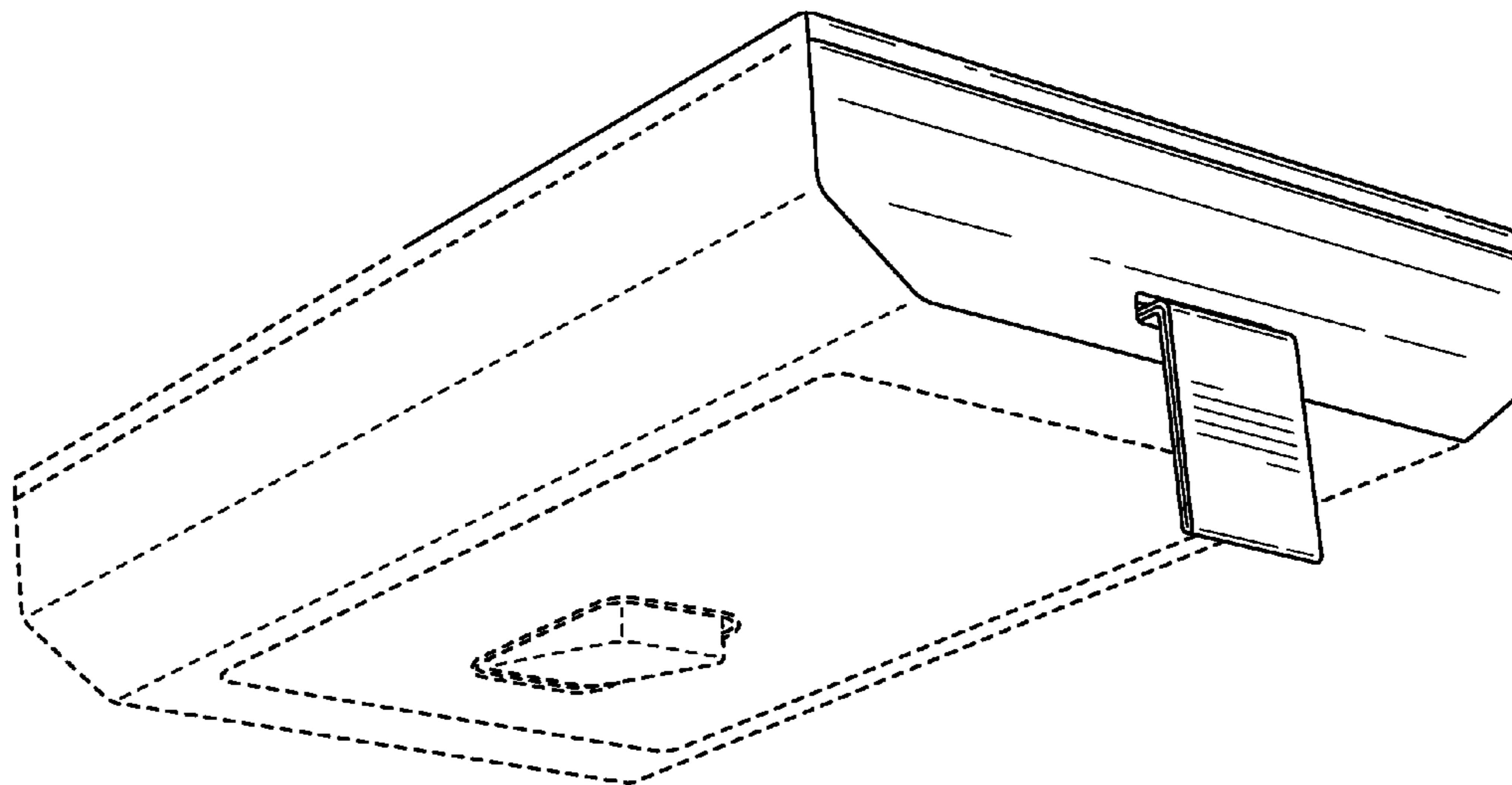
The ornamental design for a housing for a memory device, as shown and described.

DESCRIPTION

FIG. 1 is a front perspective view of a housing for a memory device showing our new design; FIG. 2 is a front view thereof; FIG. 3 is a rear view thereof; FIG. 4 is a left side view thereof; FIG. 5 is a right side view thereof; FIG. 6 is a top view thereof; and, FIG. 7 is a bottom view thereof.

The broken line showing of the remainder of the housing for the memory device is for environmental purposes only and forms no part of the claimed design.

1 Claim, 4 Drawing Sheets



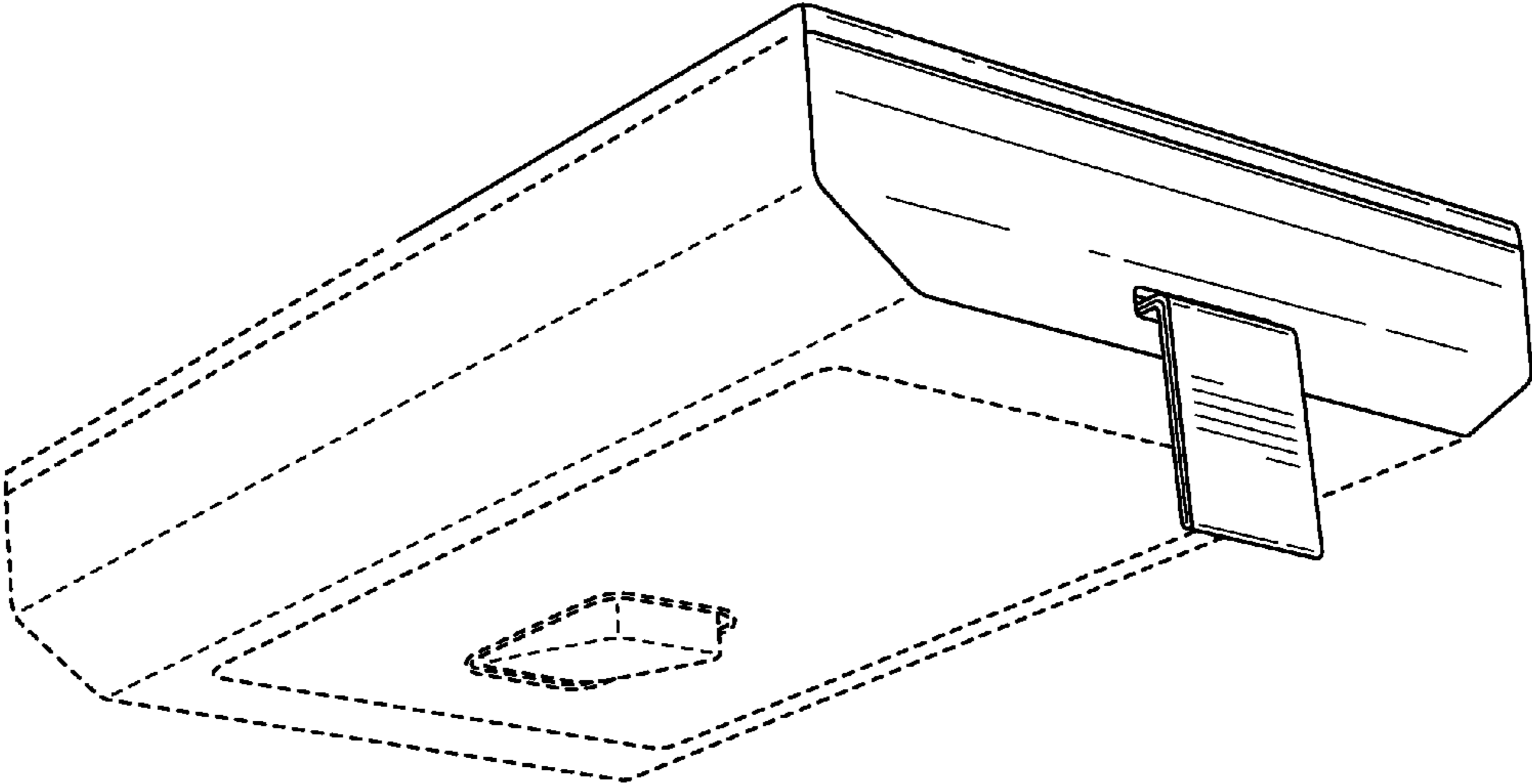


FIG. 1

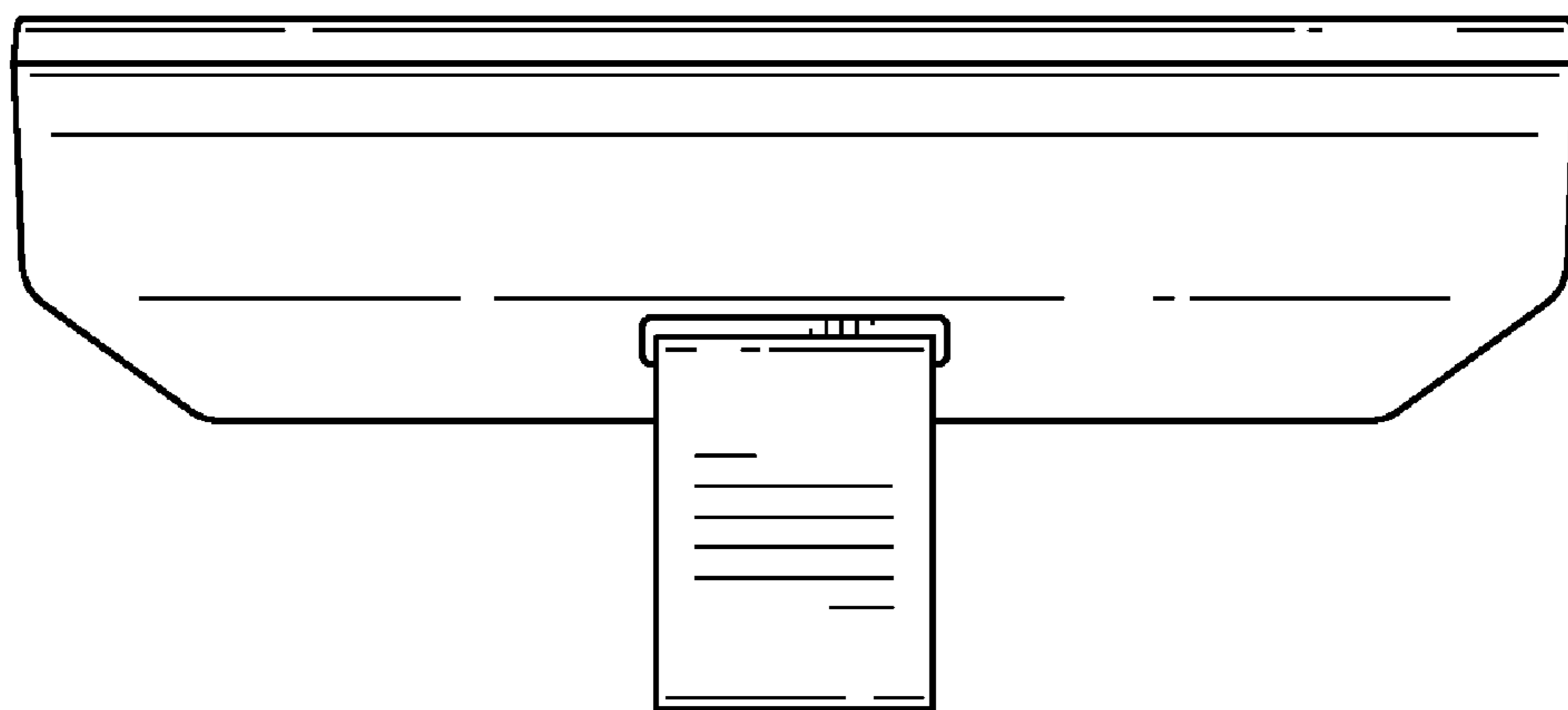


FIG. 2

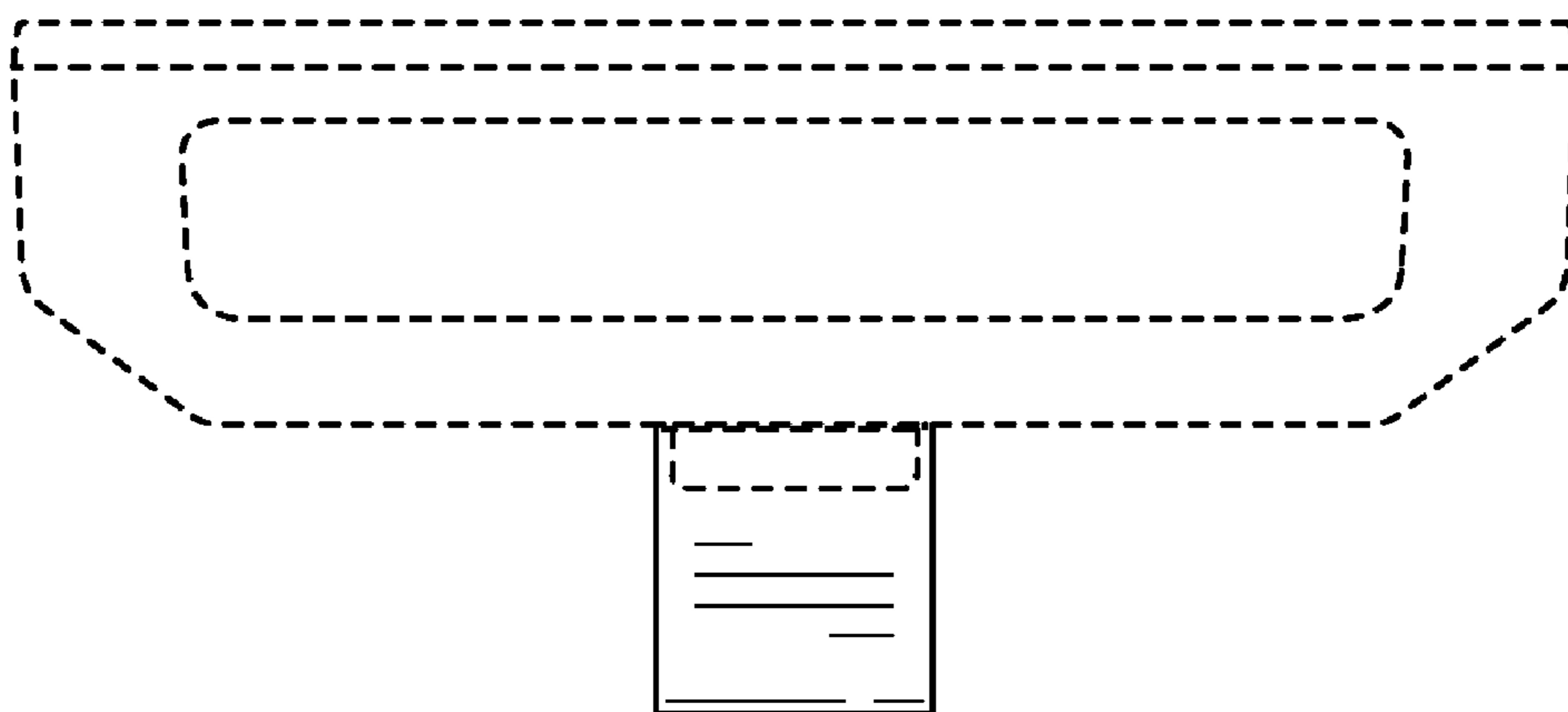


FIG. 3

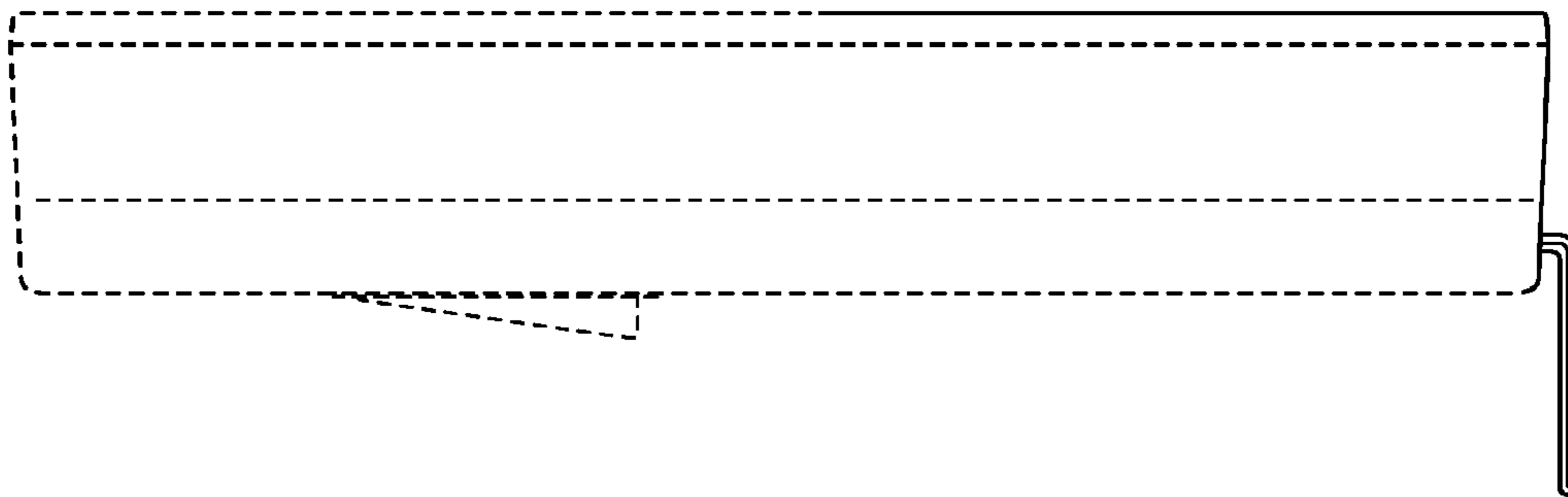


FIG. 4

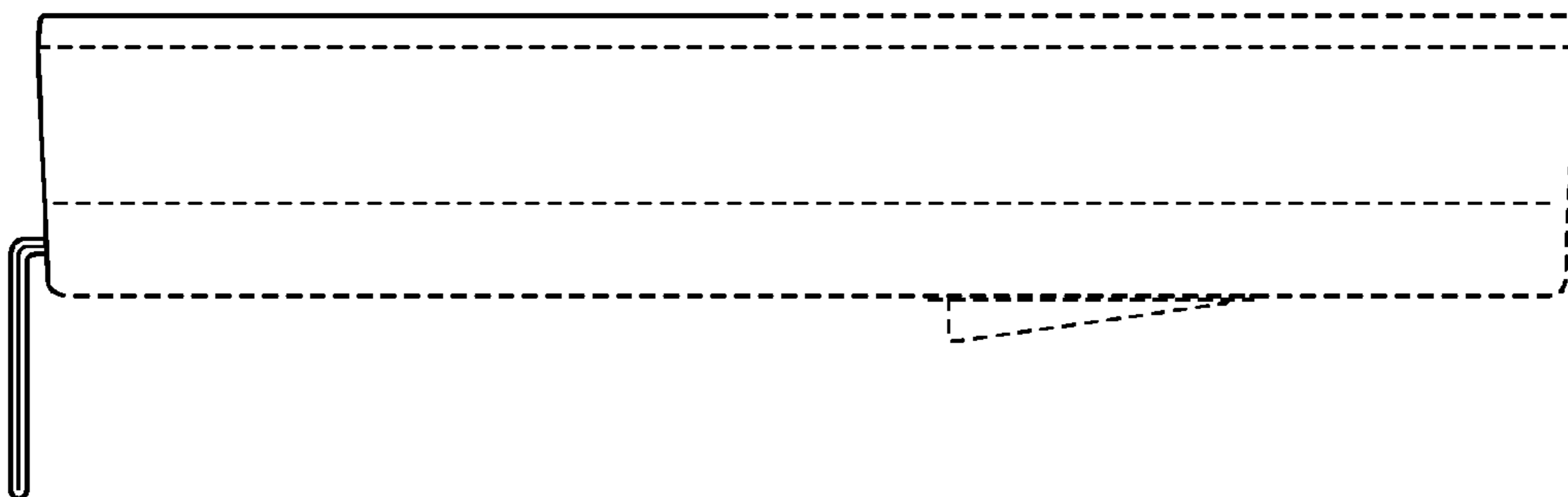


FIG. 5

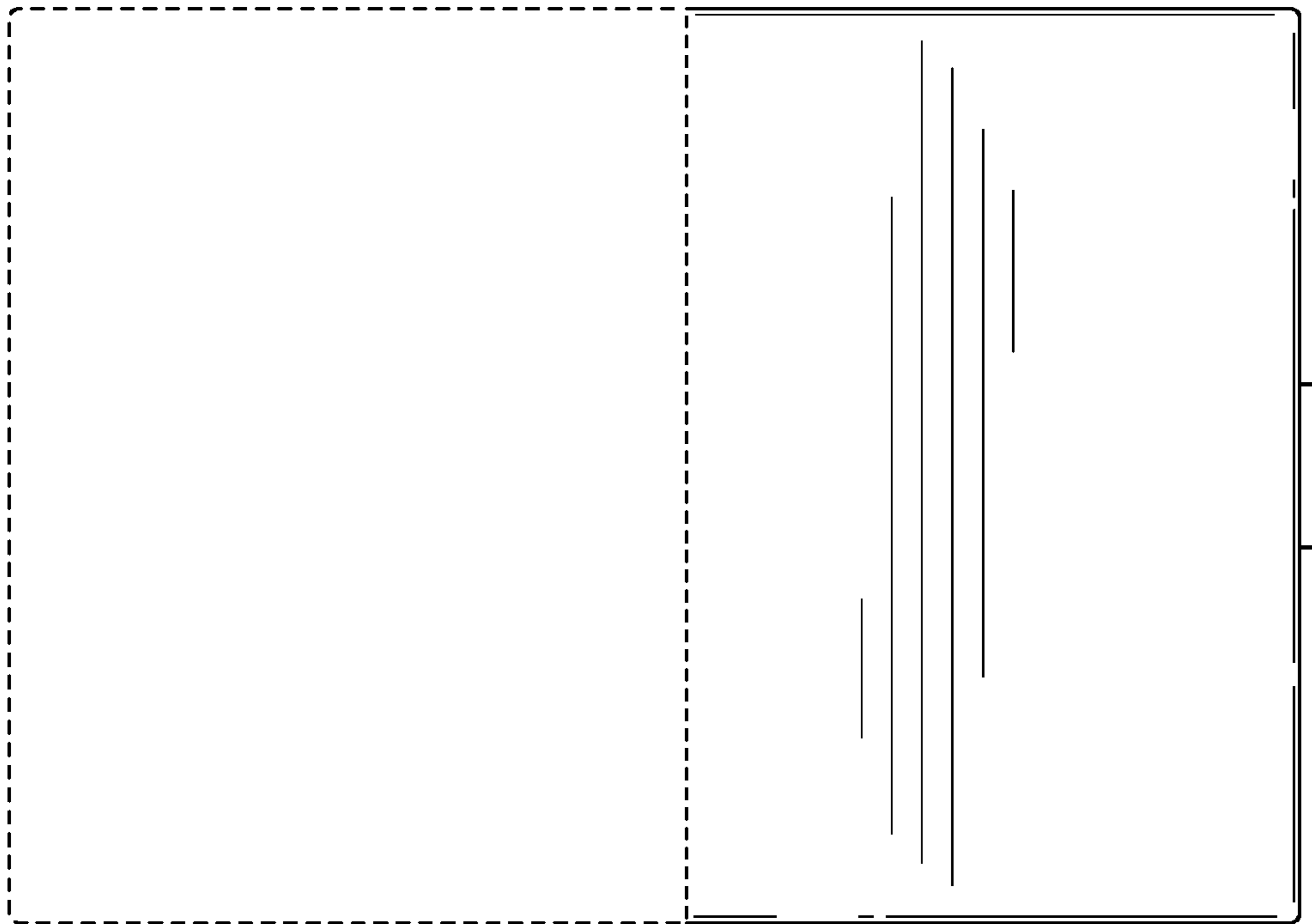


FIG. 6

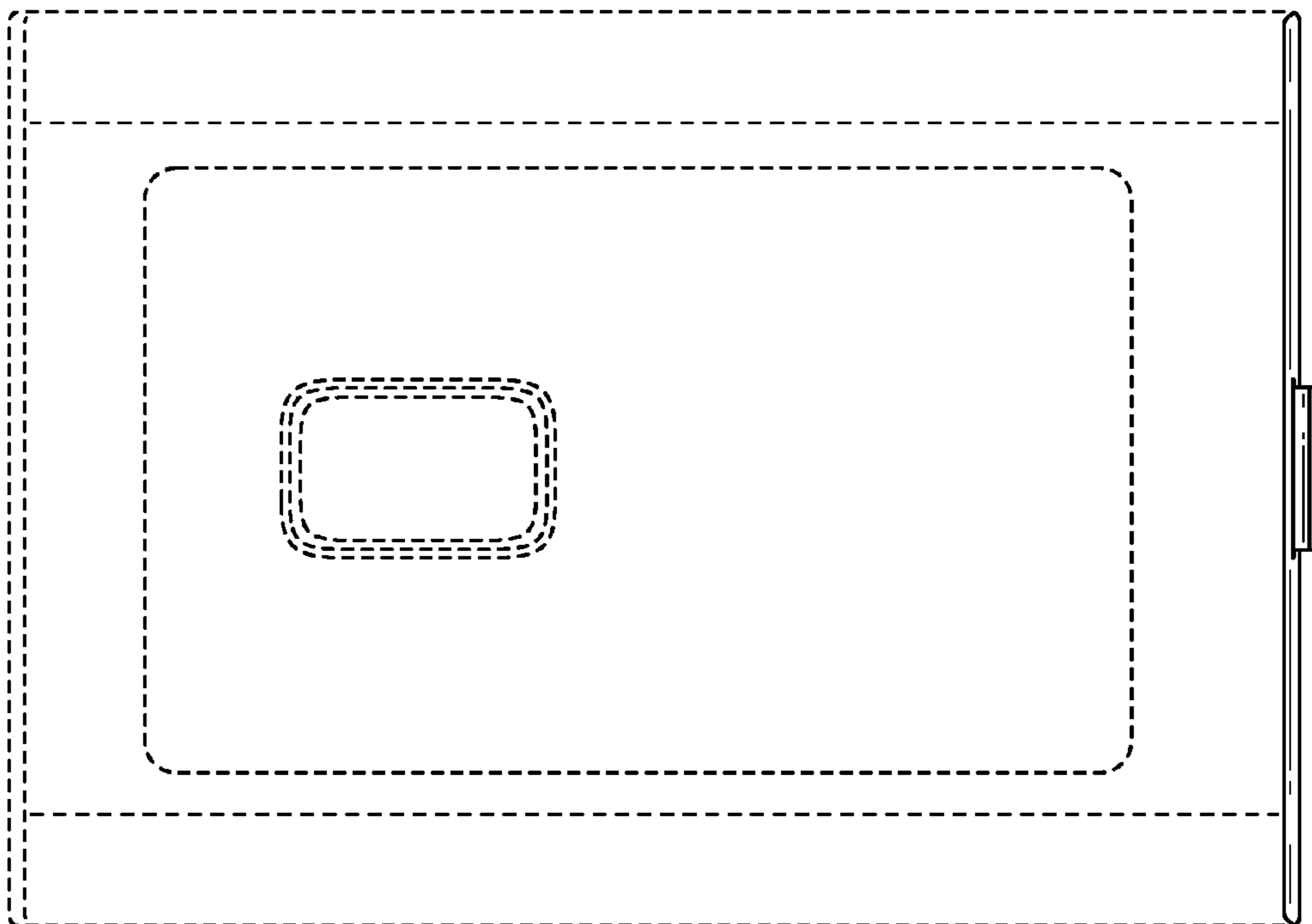


FIG. 7