



US00D641360S

(12) **United States Design Patent**
Ledbetter et al.

(10) **Patent No.:** **US D641,360 S**

(45) **Date of Patent:** **** Jul. 12, 2011**

(54) **HOUSING FOR A MEMORY DEVICE**

(75) Inventors: **Carl J. Ledbetter**, Mercer Island, WA
(US); **Dustin R. Brown**, Chicago, IL
(US)

(73) Assignee: **Microsoft Corporation**, Redmond, WA
(US)

(**) Term: **14 Years**

(21) Appl. No.: **29/362,453**

(22) Filed: **May 25, 2010**

(51) **LOC (9) Cl.** **14-02**

(52) **U.S. Cl.** **D14/356**

(58) **Field of Classification Search** D14/300-302,
D14/314, 348-358, 432, 496, 125, 240, 242,
D14/299; 361/679.31-679.45; D3/201,
D3/273; D18/56; D10/65, 75, 78; D13/103,
D13/149, 162, 184, 199

See application file for complete search history.

(56) **References Cited**

U.S. PATENT DOCUMENTS

| | | | | | | |
|-----------|----|---|---------|-----------------|-------|------------|
| D269,697 | S | * | 7/1983 | Graham et al. | | D23/245 |
| D290,705 | S | * | 7/1987 | Yomo | | D14/435 |
| D316,248 | S | * | 4/1991 | Dob | | D13/162 |
| D358,380 | S | * | 5/1995 | Sakaguchi | | D14/357 |
| D368,429 | S | * | 4/1996 | Serio, Jr. | | D9/431 |
| D371,135 | S | * | 6/1996 | Jutte | | D14/240 |
| D372,248 | S | * | 7/1996 | Tahmassebpur | | D14/242 |
| D424,026 | S | * | 5/2000 | Kabat | | D13/184 |
| 6,304,459 | B1 | * | 10/2001 | Toyosato et al. | | 361/679.03 |
| D469,702 | S | * | 2/2003 | Balcom, Jr. | | D10/65 |
| 6,757,161 | B2 | * | 6/2004 | Lai et al. | | 361/679.56 |
| D509,214 | S | * | 9/2005 | Chung | | D14/240 |
| D511,343 | S | * | 11/2005 | Solomon et al. | | D14/356 |
| D526,321 | S | * | 8/2006 | Hayes et al. | | |

| | | | | | | |
|----------|---|---|---------|---------------|-------|-----------|
| D534,202 | S | * | 12/2006 | Broyles, Jr. | | D17/99 |
| D574,850 | S | * | 8/2008 | Zimman et al. | | D14/496 |
| D621,843 | S | * | 8/2010 | Salzedo | | D14/480.7 |

OTHER PUBLICATIONS

Images of Microsoft Xbox 360 Hard Drive, date believed to be 2005.

* cited by examiner

Primary Examiner — Cathron Brooks

Assistant Examiner — Karen E Kearney

(74) *Attorney, Agent, or Firm* — Banner & Witcoff, Ltd.

(57) **CLAIM**

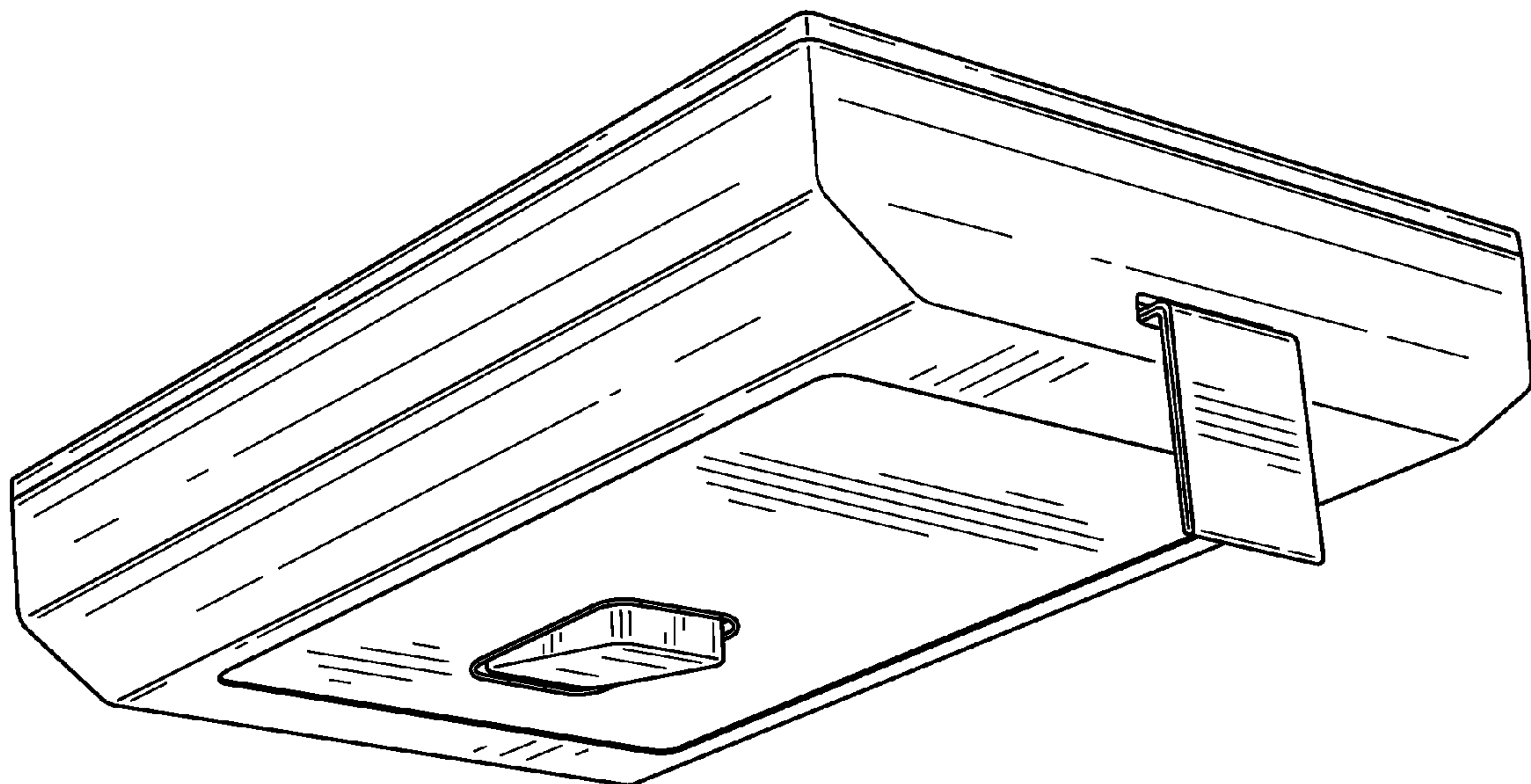
The ornamental design for a housing for a memory device, as shown and described.

DESCRIPTION

FIG. 1 is a front perspective view of a housing for a memory device showing our new design;
 FIG. 2 is a front view thereof;
 FIG. 3 is a rear view thereof;
 FIG. 4 is a left side view thereof;
 FIG. 5 is a right side view thereof;
 FIG. 6 is a top view thereof;
 FIG. 7 is a bottom view thereof;
 FIG. 8 is a front perspective view of an alternate embodiment of a housing for a memory device showing our new design;
 FIG. 9 is a front view thereof;
 FIG. 10 is a rear view thereof;
 FIG. 11 is a left side view thereof;
 FIG. 12 is a right side view thereof;
 FIG. 13 is a top view thereof; and,
 FIG. 14 is a bottom view thereof.

The broken line showing in FIG. 3 is for the purpose of illustrating an unclaimed portion of the housing for a memory device and forms no part of the claimed design.

1 Claim, 8 Drawing Sheets



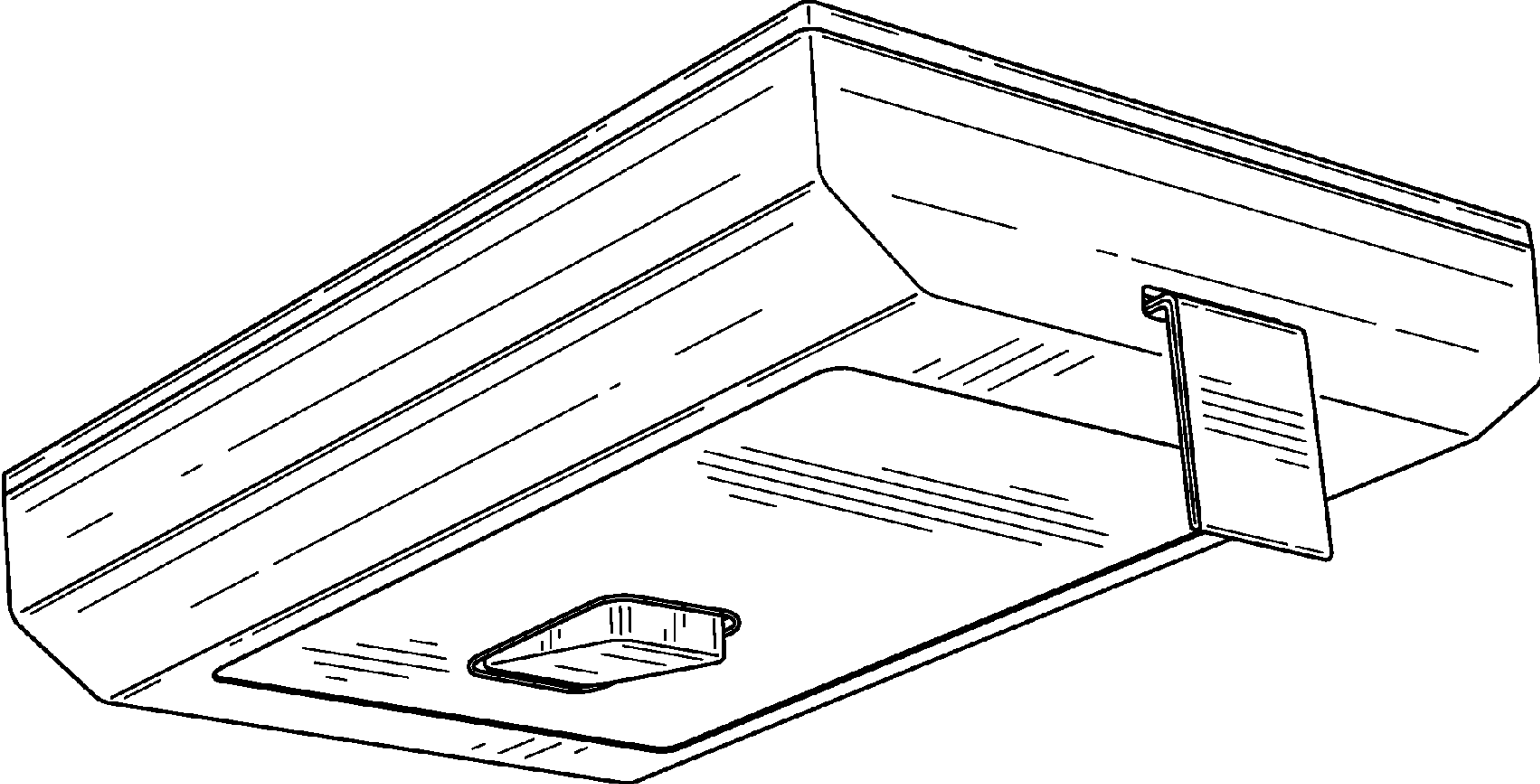


FIG. 1

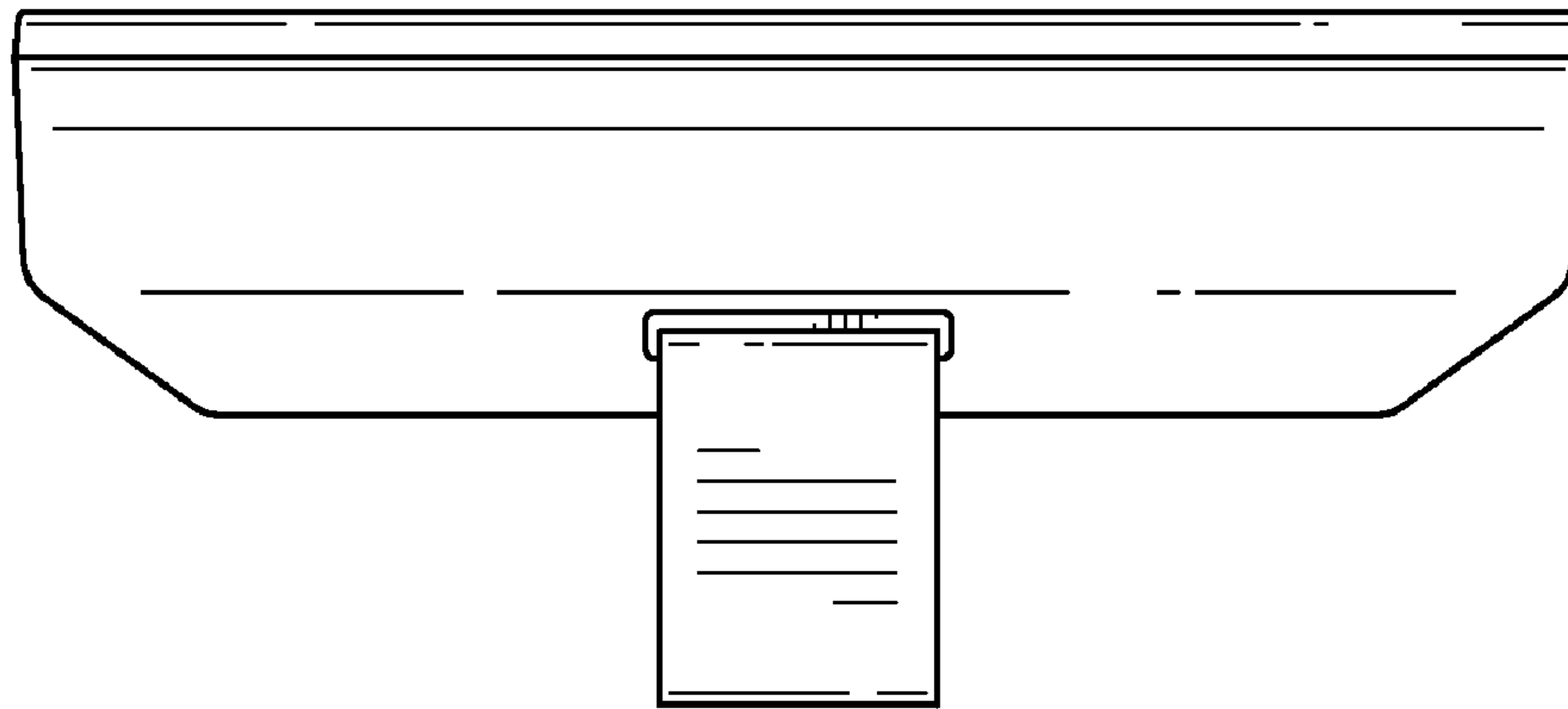


FIG. 2

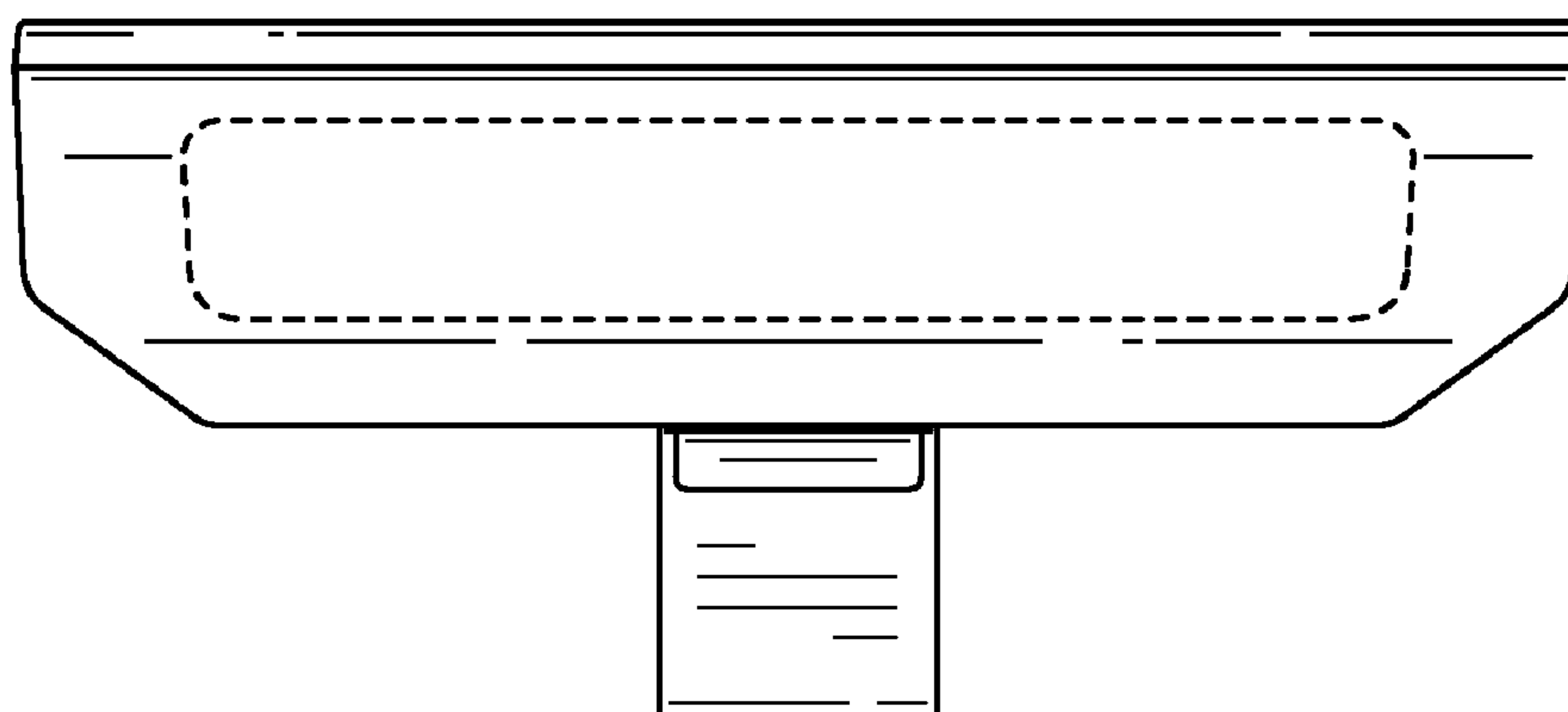


FIG. 3

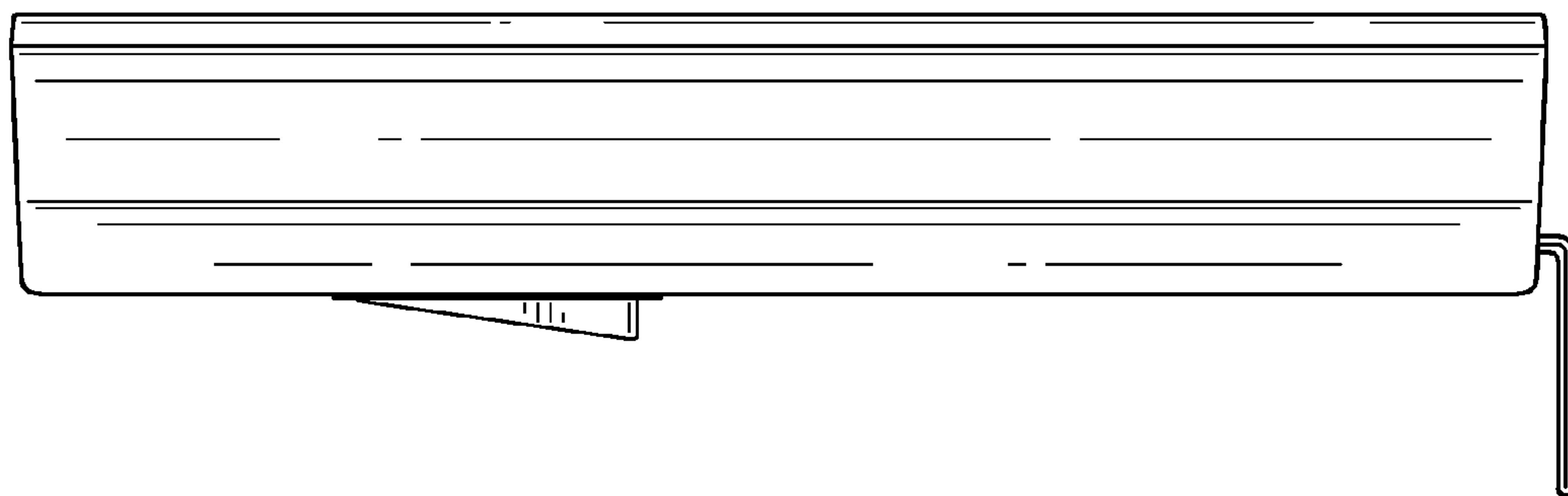


FIG. 4

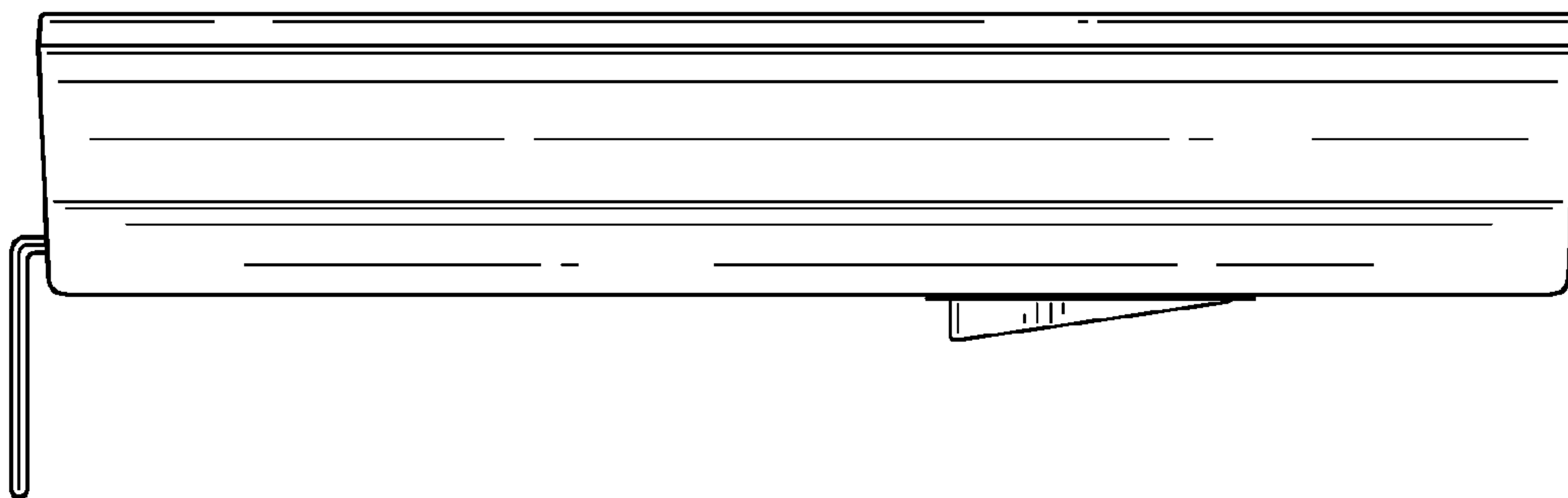


FIG. 5

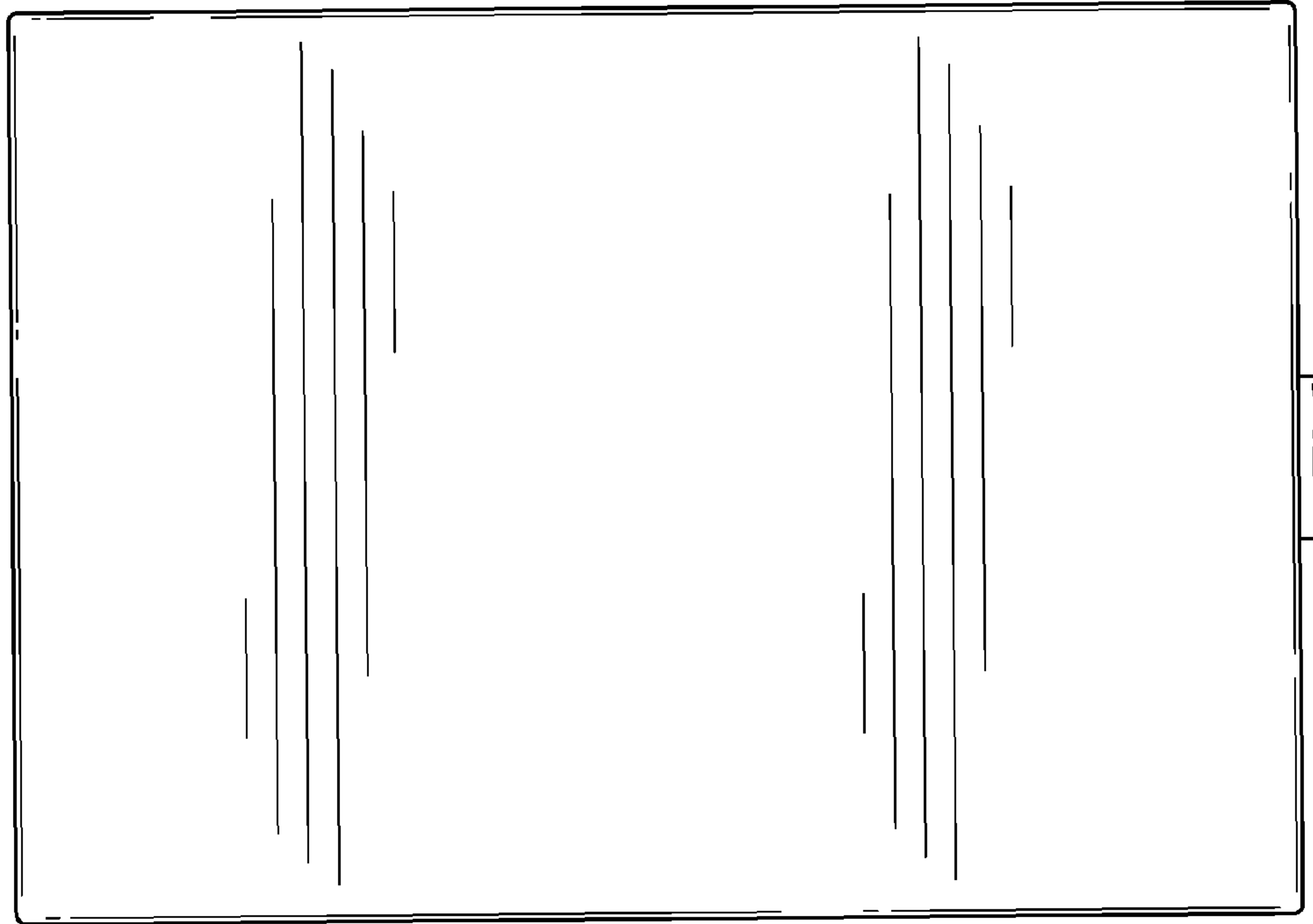


FIG. 6

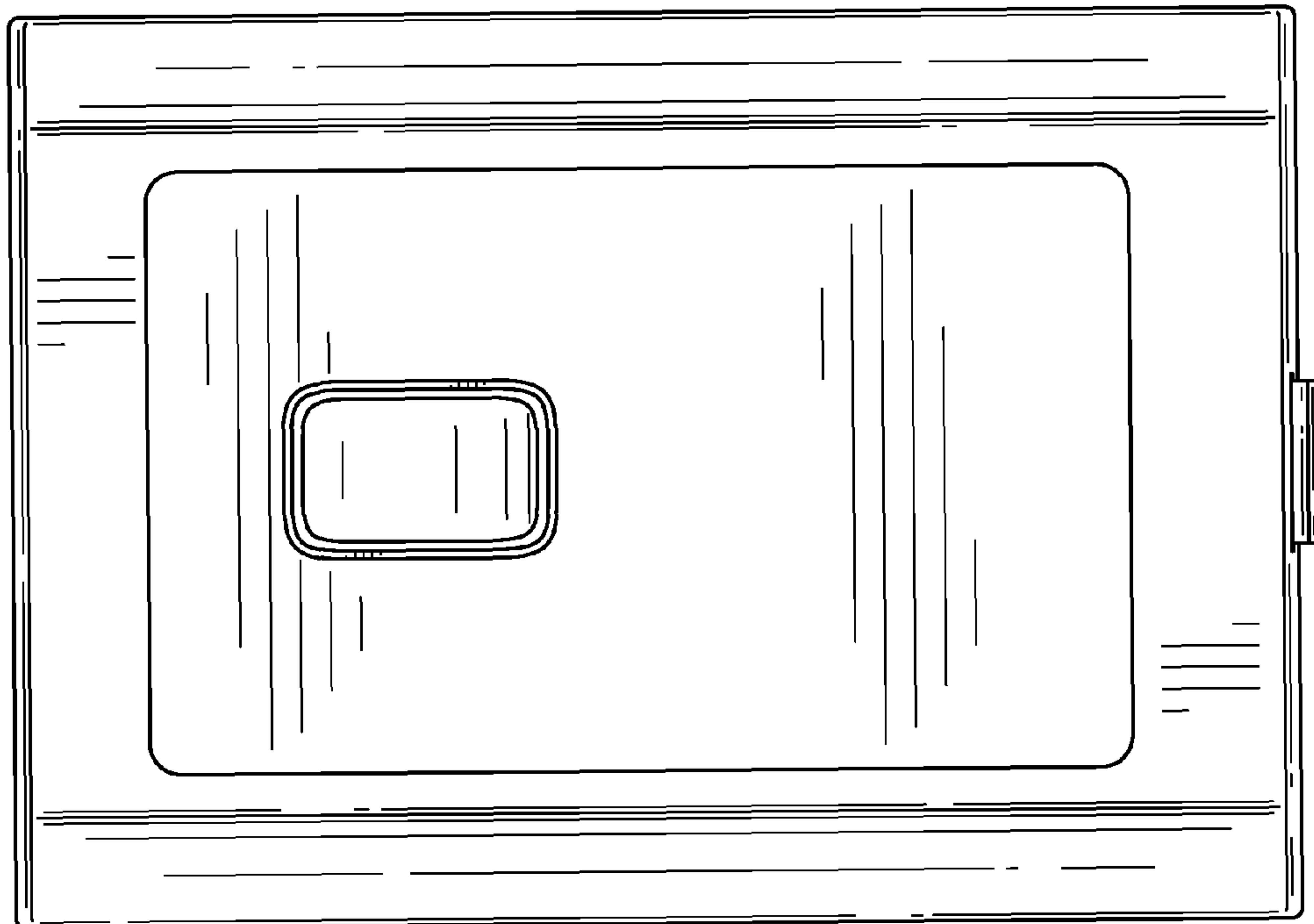


FIG. 7

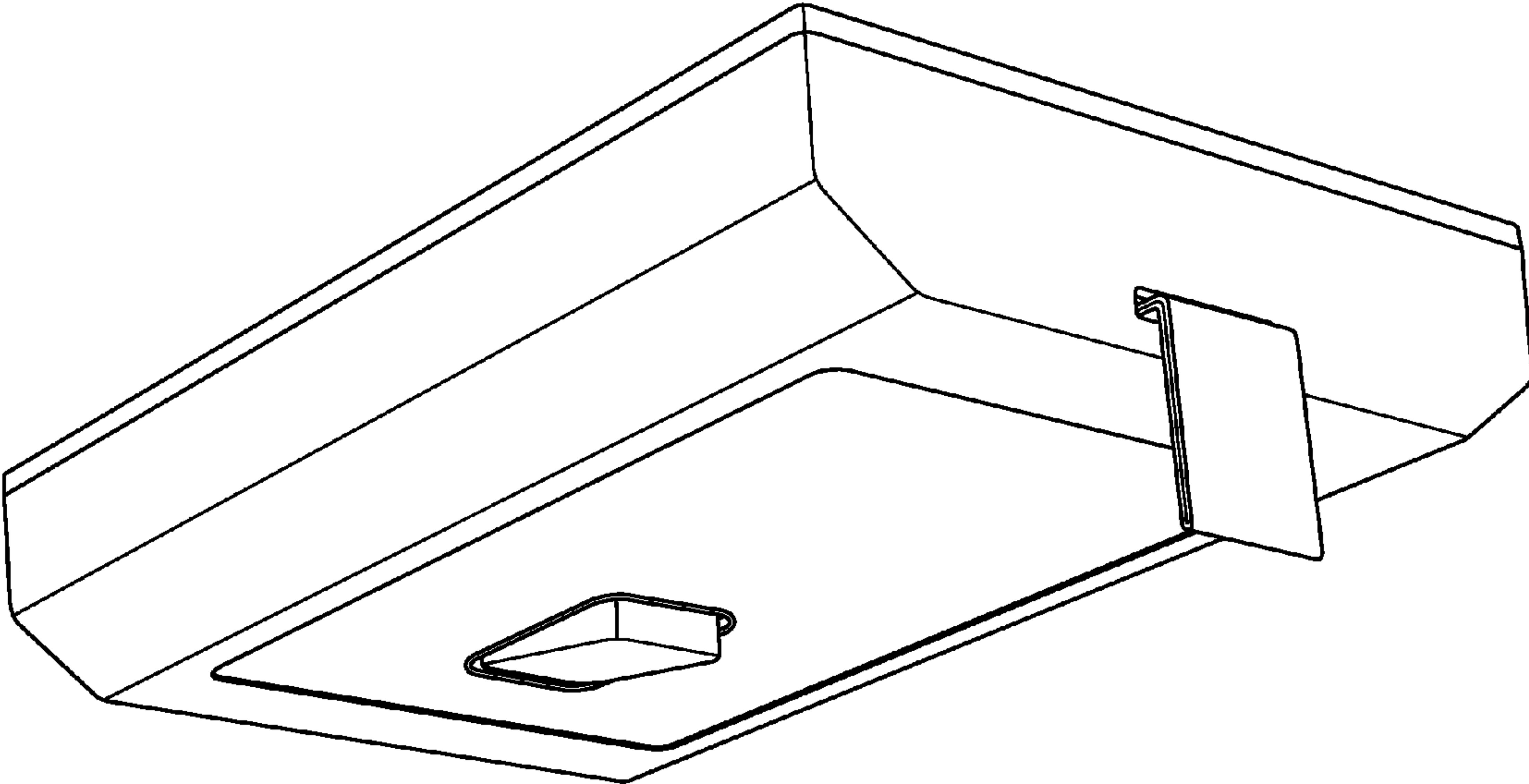


FIG. 8

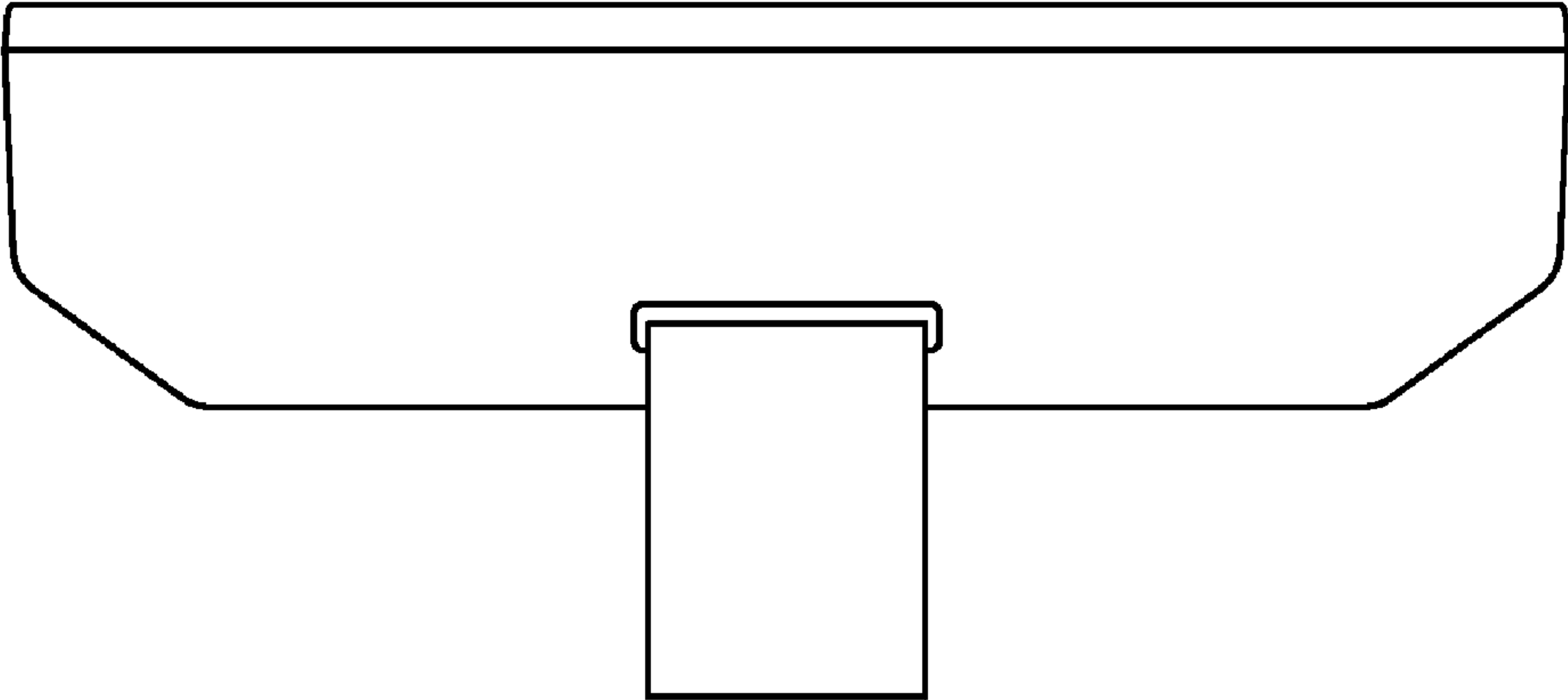


FIG. 9

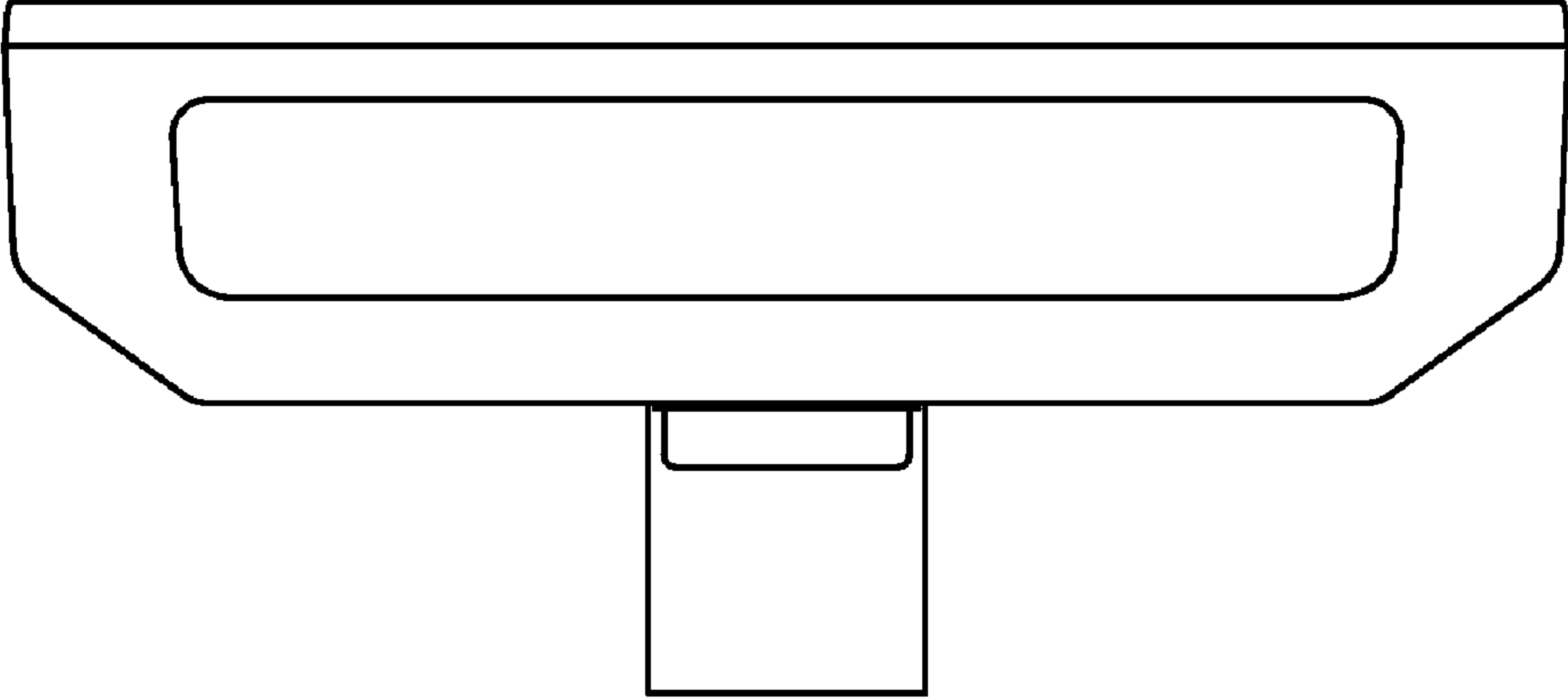


FIG. 10

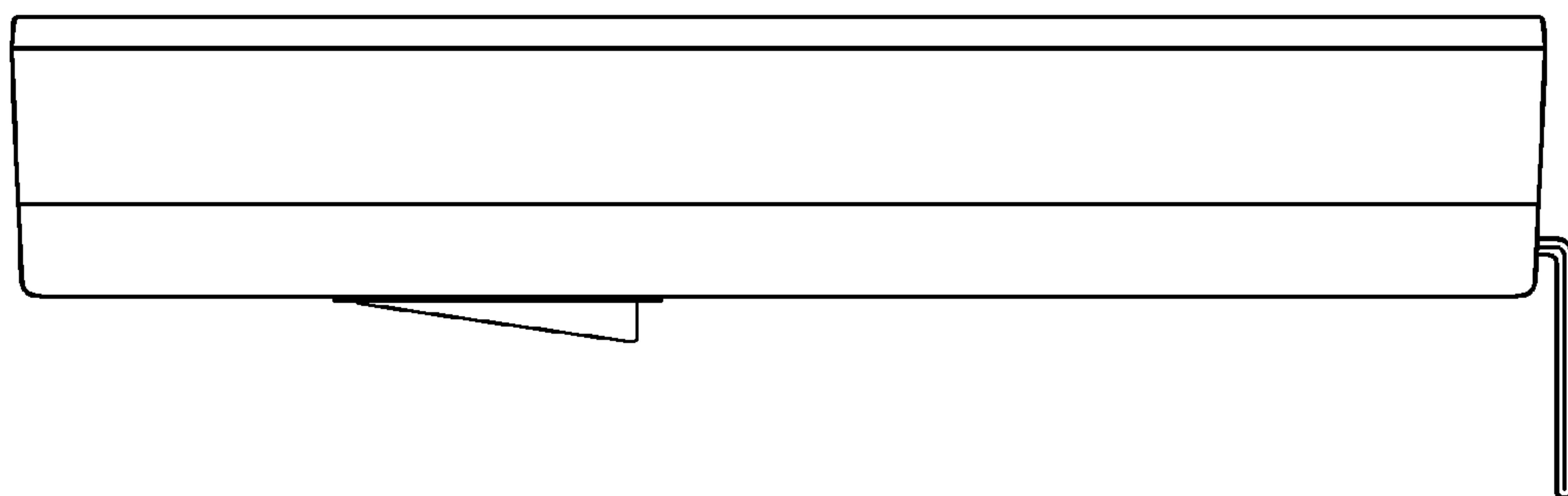


FIG. 11

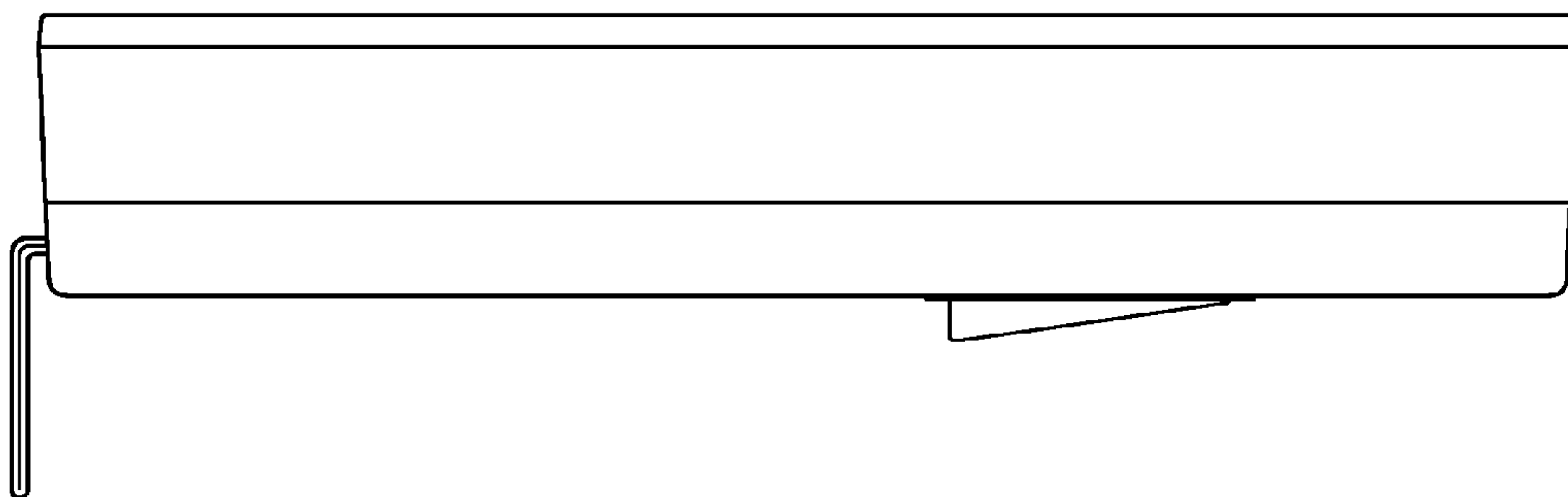


FIG. 12

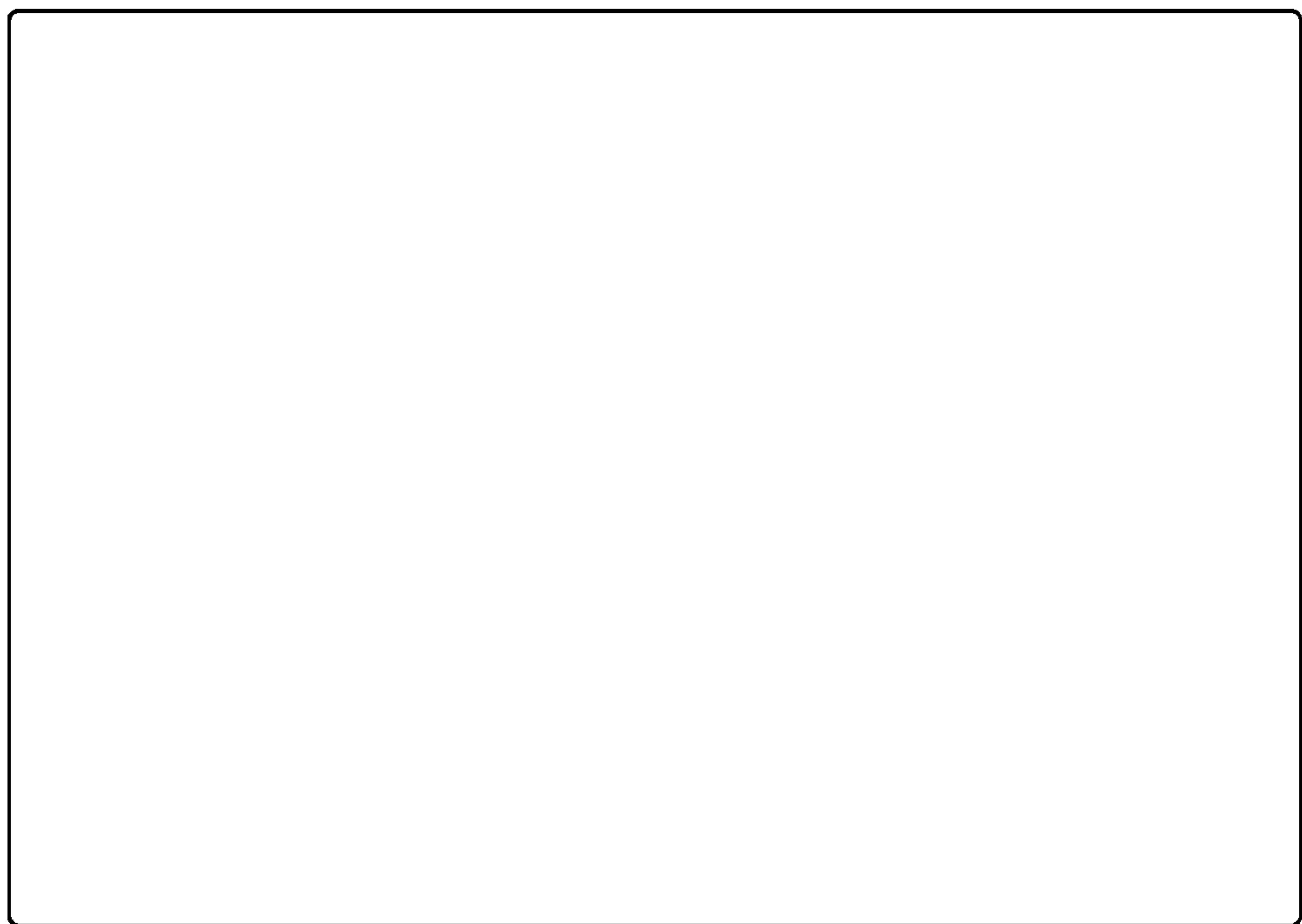


FIG. 13

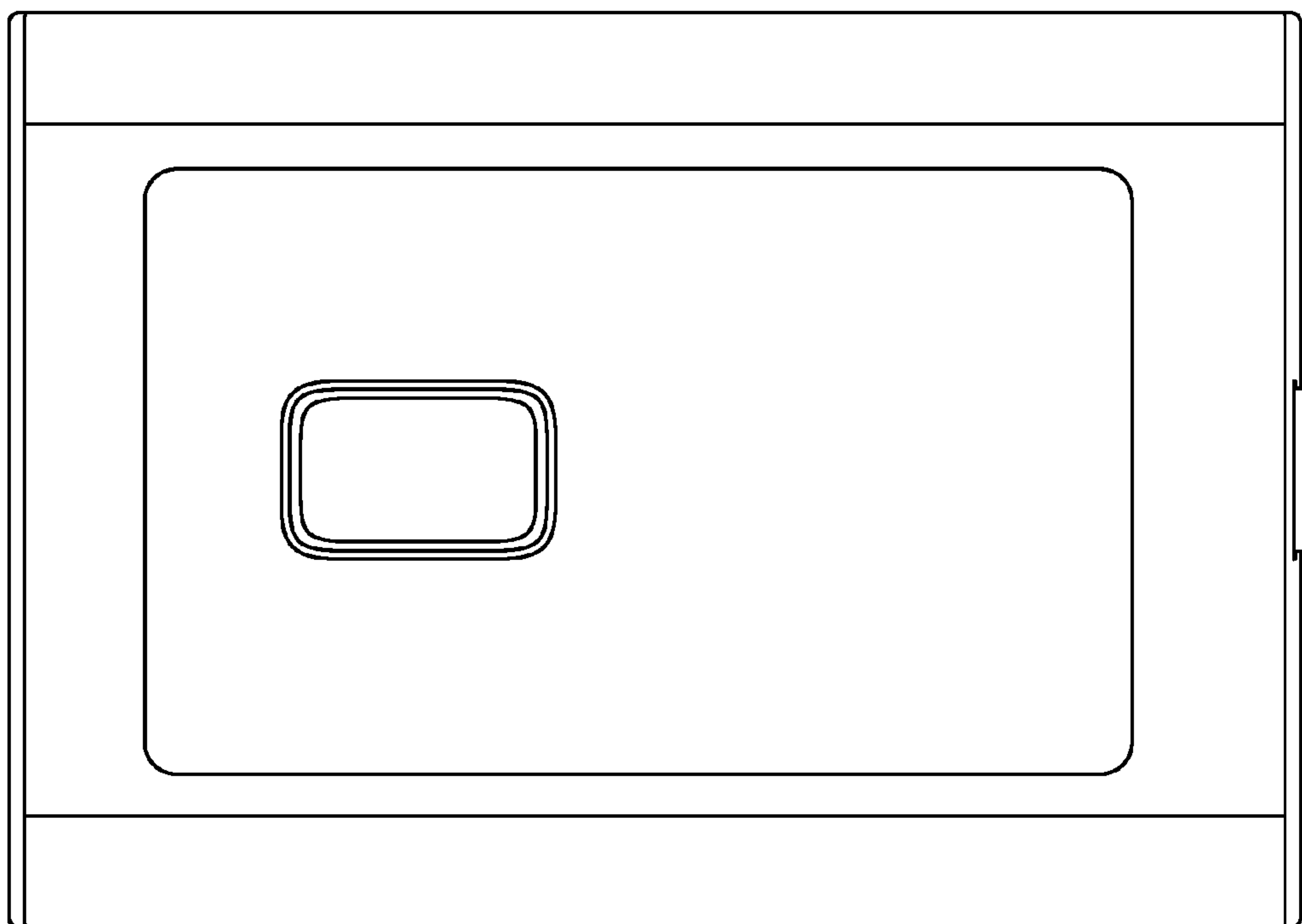


FIG. 14